



US00D888990S

(12) **United States Design Patent** (10) **Patent No.:** **US D888,990 S**
Allen et al. (45) **Date of Patent:** **** *Jun. 30, 2020**

(54) **DOOR**

FOREIGN PATENT DOCUMENTS

(71) Applicant: **Masonite Corporation**, Tampa, FL (US)

CN 301440150 * 1/2011
CN 302858687 * 6/2014

(Continued)

(72) Inventors: **Robert C. Allen**, Elburn, IL (US);
Mark Albrighton, Wesley Chapel, FL (US);
Timothy D. Gouge, Elgin, IL (US);
Jason M. Walsh, Batavia, IL (US)

Primary Examiner — Leanne Was-Englehart
(74) *Attorney, Agent, or Firm* — Berenato & White, LLC

(57) **CLAIM**

The ornamental design for a door, as shown and described.

DESCRIPTION

(73) Assignee: **Masonite Corporation**, Tampa, FL (US)

FIG. 1 is a front perspective view of a first version of a door;
FIG. 2 is a front elevational view;
FIG. 3 is a rear elevational view;
FIG. 4 is a top plan view;
FIG. 5 is a bottom plan view;
FIG. 6 is a cross-sectional view taken along the line 6-6 of FIG. 2;
FIG. 7 is a fragmentary cross-sectional view of a portion of FIG. 6;
FIG. 8 is a left side elevational view;
FIG. 9 is a right side elevational view;
FIG. 10 is a cross-sectional view taken along the line 10-10 of FIG. 2;
FIG. 11 is a fragmentary cross-sectional view taken of a portion of FIG. 10;
FIG. 12 is a fragmentary cross-sectional view taken of a portion of FIG. 10;
FIG. 13 is a front perspective view of a second version of a door;
FIG. 14 is a front elevational view;
FIG. 15 is a rear elevational view;
FIG. 16 is a top plan view;
FIG. 17 is a bottom plan view;
FIG. 18 is a cross-sectional view taken along the line 18-18 of FIG. 14;
FIG. 19 is a fragmentary cross-sectional view of a portion of FIG. 18;
FIG. 20 is a left side elevational view;
FIG. 21 is a right side elevational view;
FIG. 22 is a cross-sectional view taken along the line 22-22 of FIG. 14;

(*) Notice: This patent is subject to a terminal disclaimer.

(**) Term: **15 Years**

(21) Appl. No.: **29/662,189**

(22) Filed: **Sep. 4, 2018**

Related U.S. Application Data

(63) Continuation of application No. 29/607,300, filed on Jun. 12, 2017, now Pat. No. Des. 827,860, which is a (Continued)

(51) **LOC (12) Cl.** **25-02**

(52) **U.S. Cl.**
USPC **D25/48.3**

(58) **Field of Classification Search**
USPC D25/48.1, 48.3, 48.4, 48.5, 138
(Continued)

(56) **References Cited**

U.S. PATENT DOCUMENTS

1,574,493 A * 2/1926 Leonard E06B 3/728
49/501
2,799,059 A * 7/1957 Stack E06B 3/7001
428/172

(Continued)

(Continued)

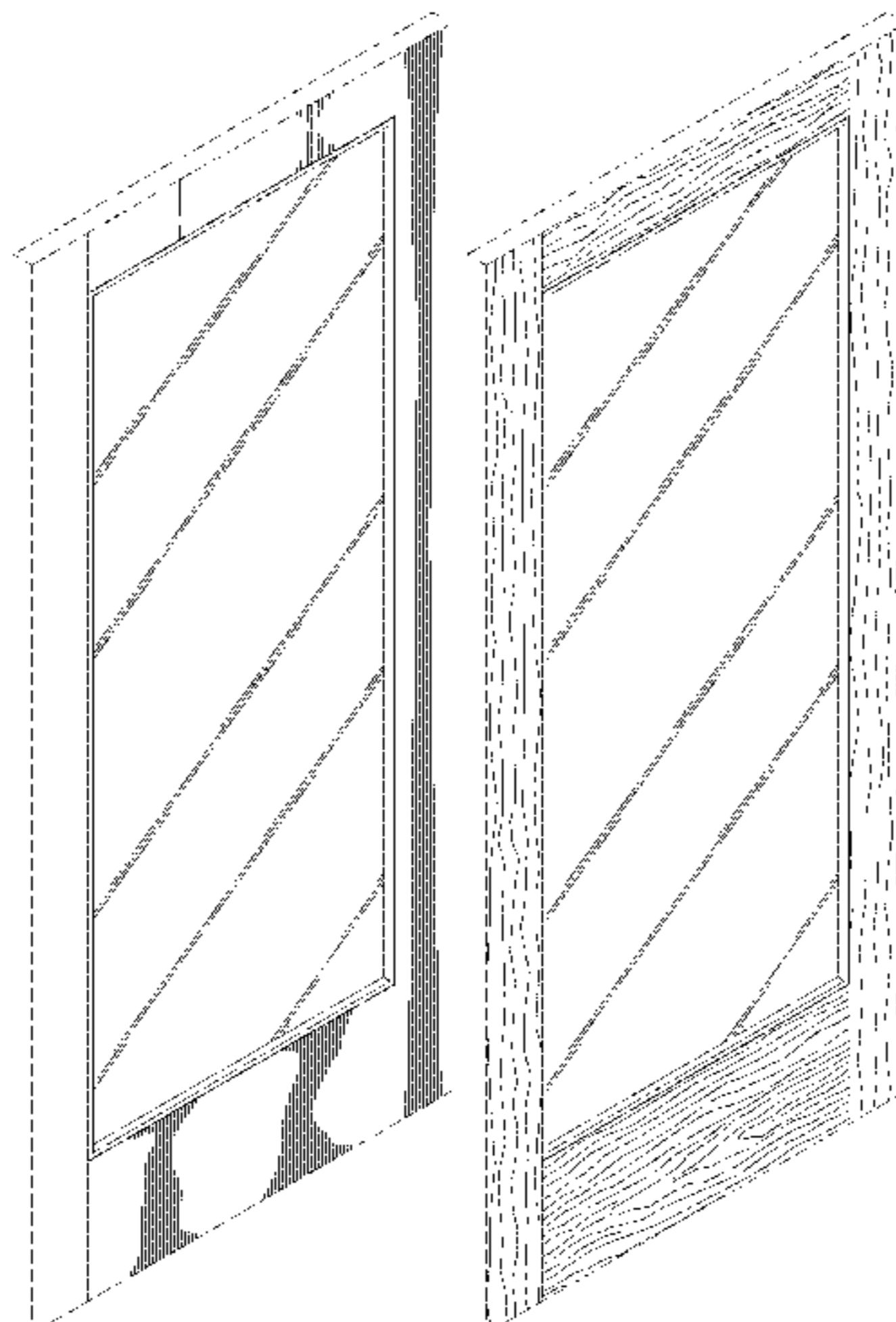


FIG. 23 is a fragmentary cross-sectional view taken of a portion of FIG. 22; and,

FIG. 24 is a fragmentary cross-sectional view taken of a portion of FIG. 22.

The broken lines in the drawings depict environment that form no part of the claimed design. The broken circles in FIGS. 6, 7, 10, 18, 19, and 22 indicate boundaries of enlarged views and form no part of the claimed design.

1 Claim, 12 Drawing Sheets

Related U.S. Application Data

continuation of application No. 29/498,016, filed on Jul. 30, 2014, now Pat. No. Des. 789,553.

(58) **Field of Classification Search**

CPC ... E06B 3/72; E06B 3/78; E06B 3/485; E06B 3/4636; E06B 2003/7044; E06B 1/04; E06B 5/00

See application file for complete search history.

(56) **References Cited**

U.S. PATENT DOCUMENTS

3,004,641 A * 10/1961 Johnson E06B 3/728
52/455
4,167,088 A * 9/1979 Governale E06B 1/524
49/381

4,214,405 A * 7/1980 Chupik E06B 1/524
49/382
4,720,951 A * 1/1988 Thorn B29C 44/18
49/DIG. 2
4,825,615 A * 5/1989 Turner E06B 3/74
52/455
6,185,894 B1 * 2/2001 Sisco E06B 3/725
52/455
7,210,274 B2 * 5/2007 Ballantyne E06B 3/74
52/309.9
7,284,352 B2 * 10/2007 Lynch E06B 3/7001
52/309.9
D576,740 S * 9/2008 Steiber D25/48.3
D640,392 S * 6/2011 Walsh D25/38.1
D735,888 S * 8/2015 Gouge D25/48.3
D748,816 S * 2/2016 Gouge D25/48.3
D756,534 S * 5/2016 Allen D25/48.3
D766,459 S * 9/2016 Cox D25/48.3
9,458,660 B2 10/2016 Gouge
D789,553 S * 6/2017 Allen D25/48.3
D790,728 S * 6/2017 Allen D25/48.3
D797,311 S * 9/2017 Cox D25/48.3
10,006,240 B2 6/2018 Gouge
D827,860 S * 9/2018 Allen D25/48.3
D844,175 S * 3/2019 Allen D25/48.3
2016/0010386 A1 * 1/2016 Gouge E06B 3/06
52/784.16
2017/0218684 A1 * 8/2017 Gouge E06B 3/06

FOREIGN PATENT DOCUMENTS

EM 000802152-0001 1/2008
EM 000802152-0009 1/2008

* cited by examiner

Fig. 1

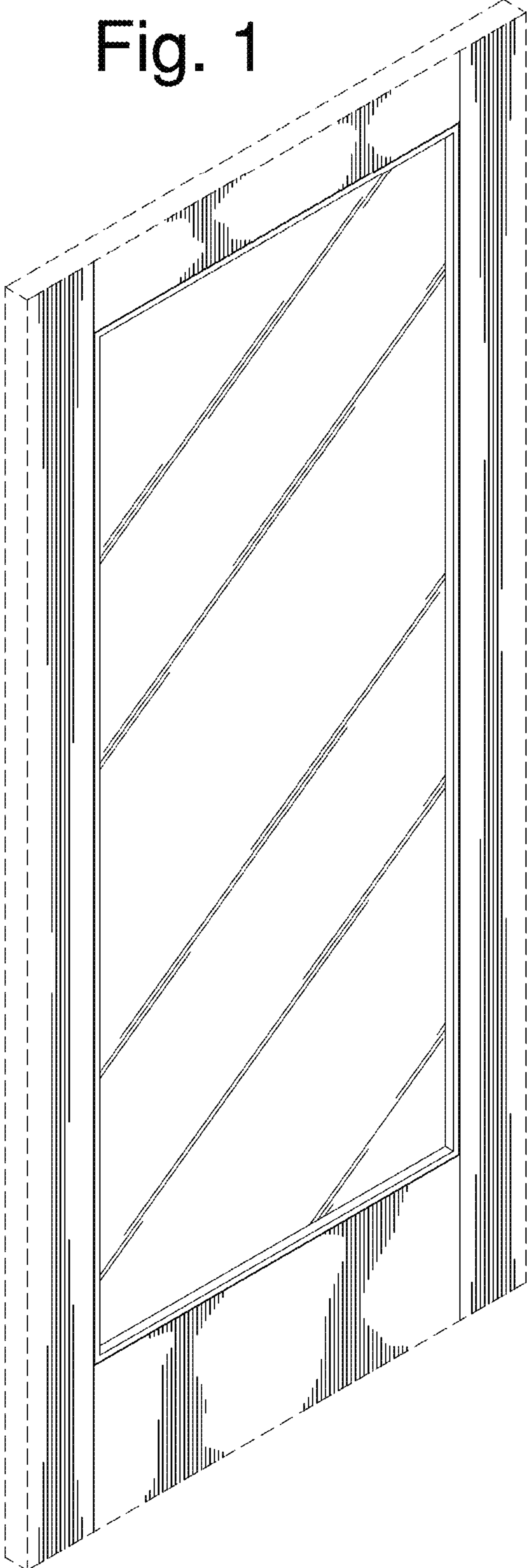


Fig. 2

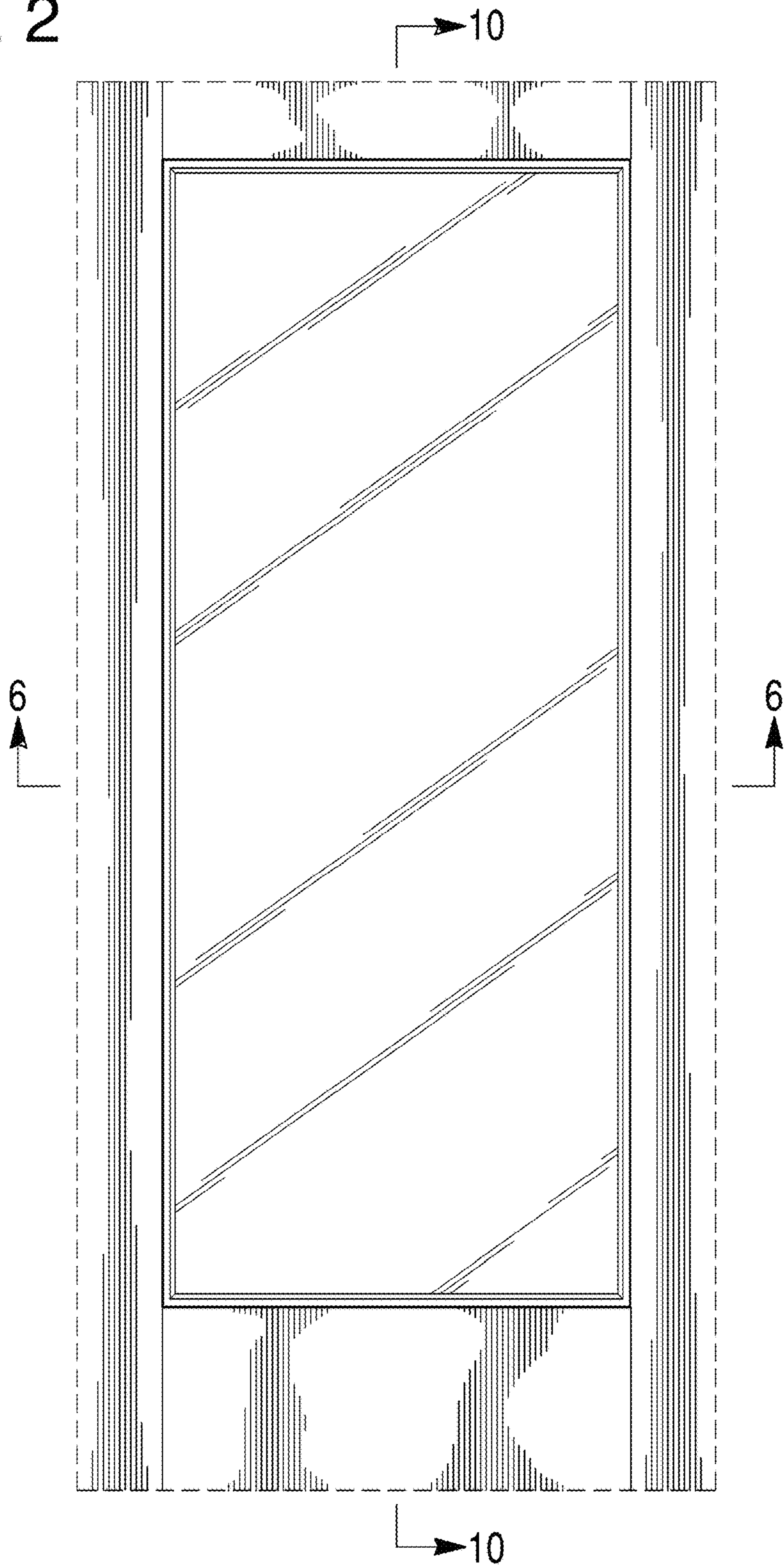


Fig. 3

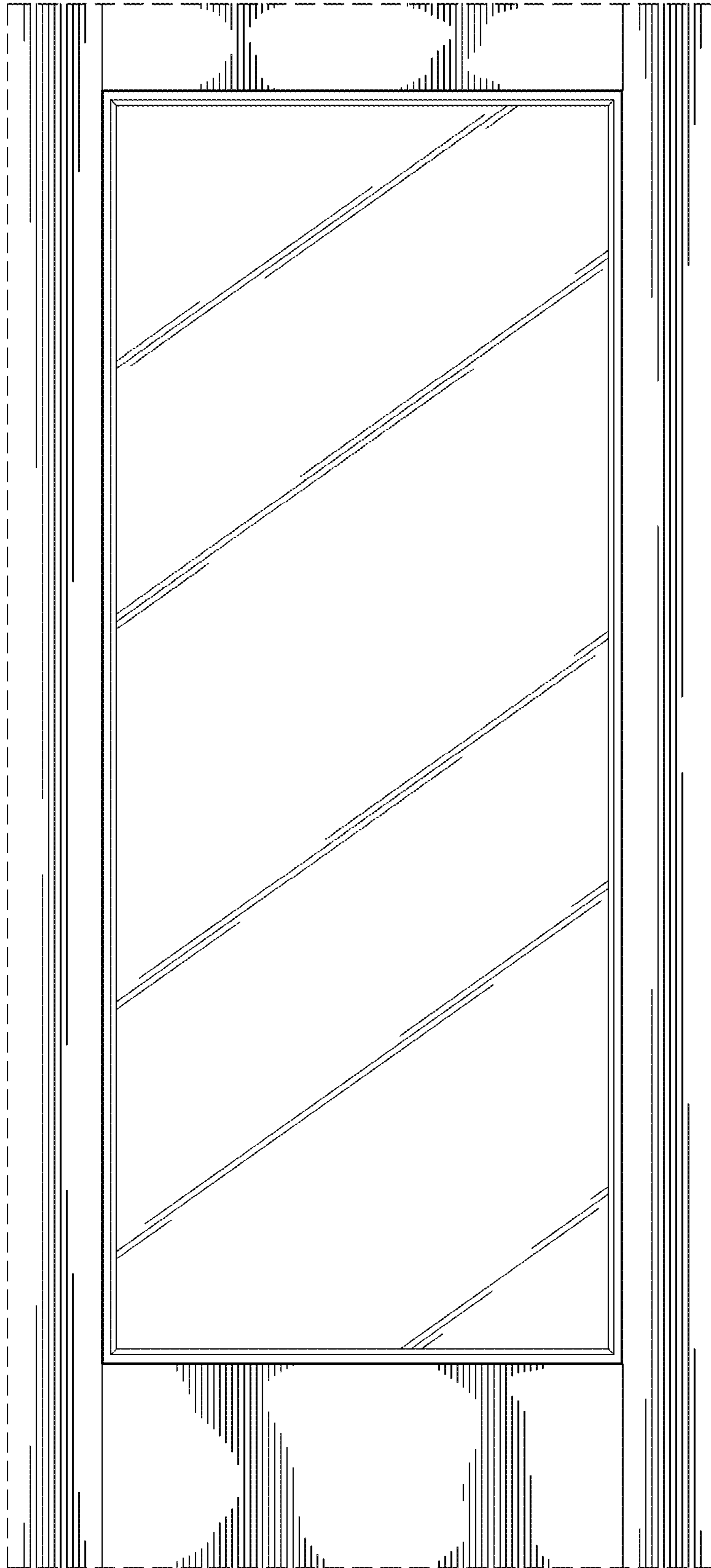


Fig. 4



Fig. 5



Fig. 6

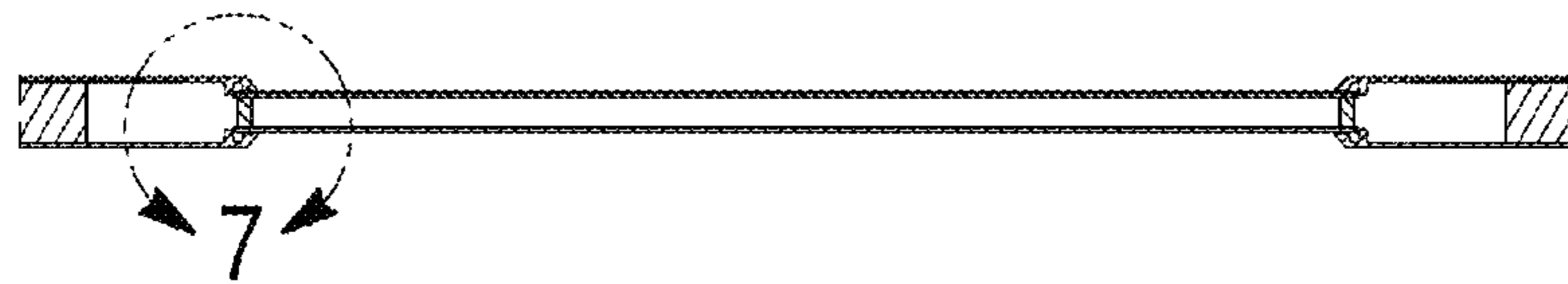


Fig. 7

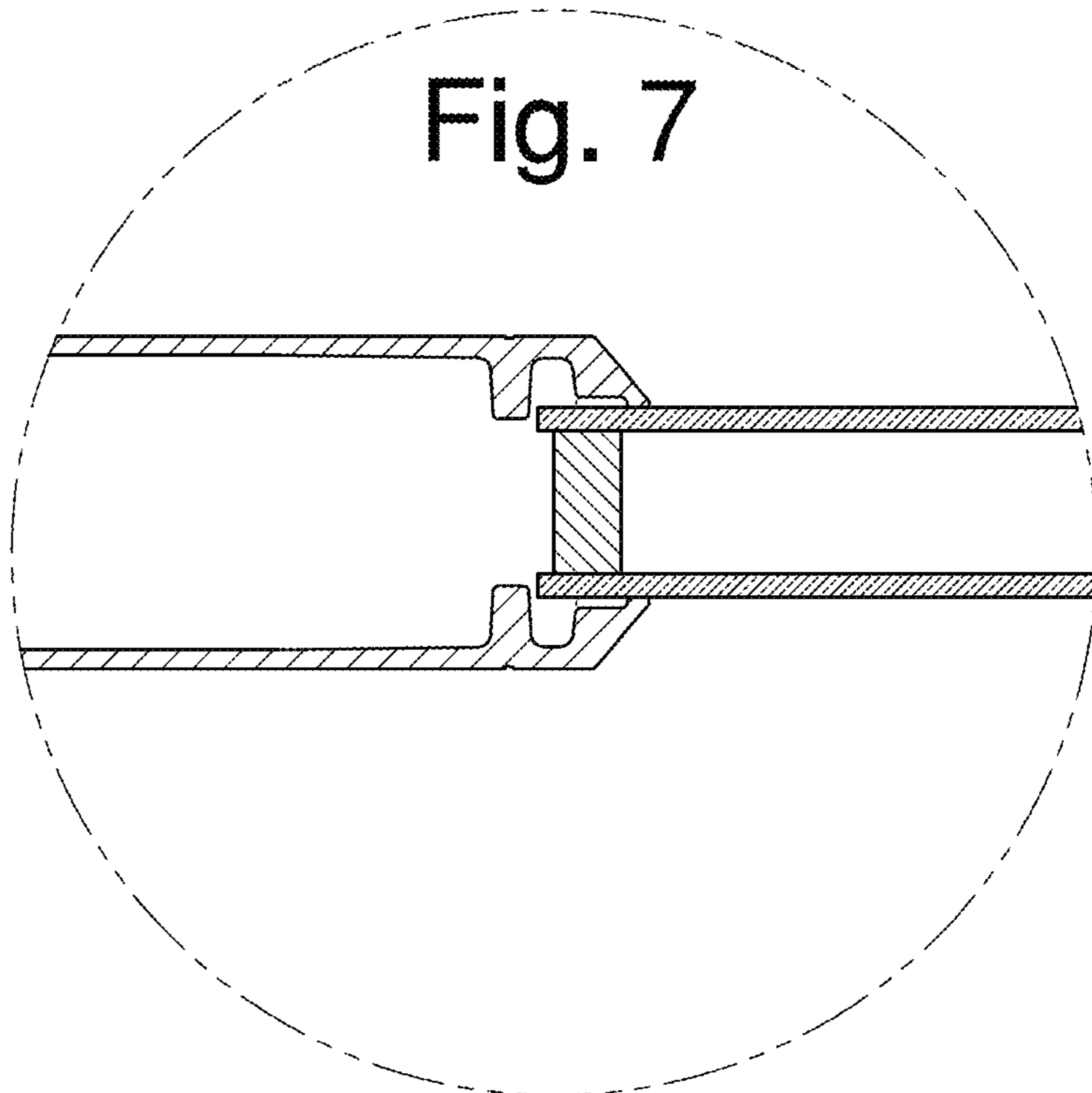


Fig. 8

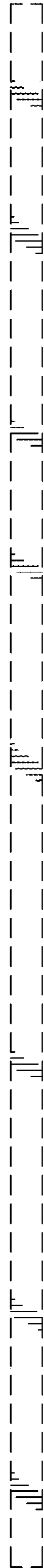


Fig. 9

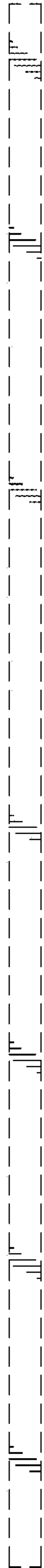
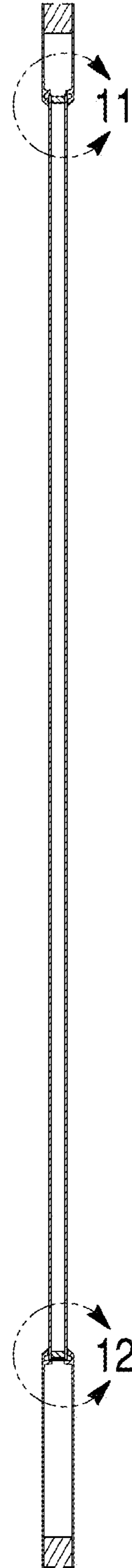


Fig. 10



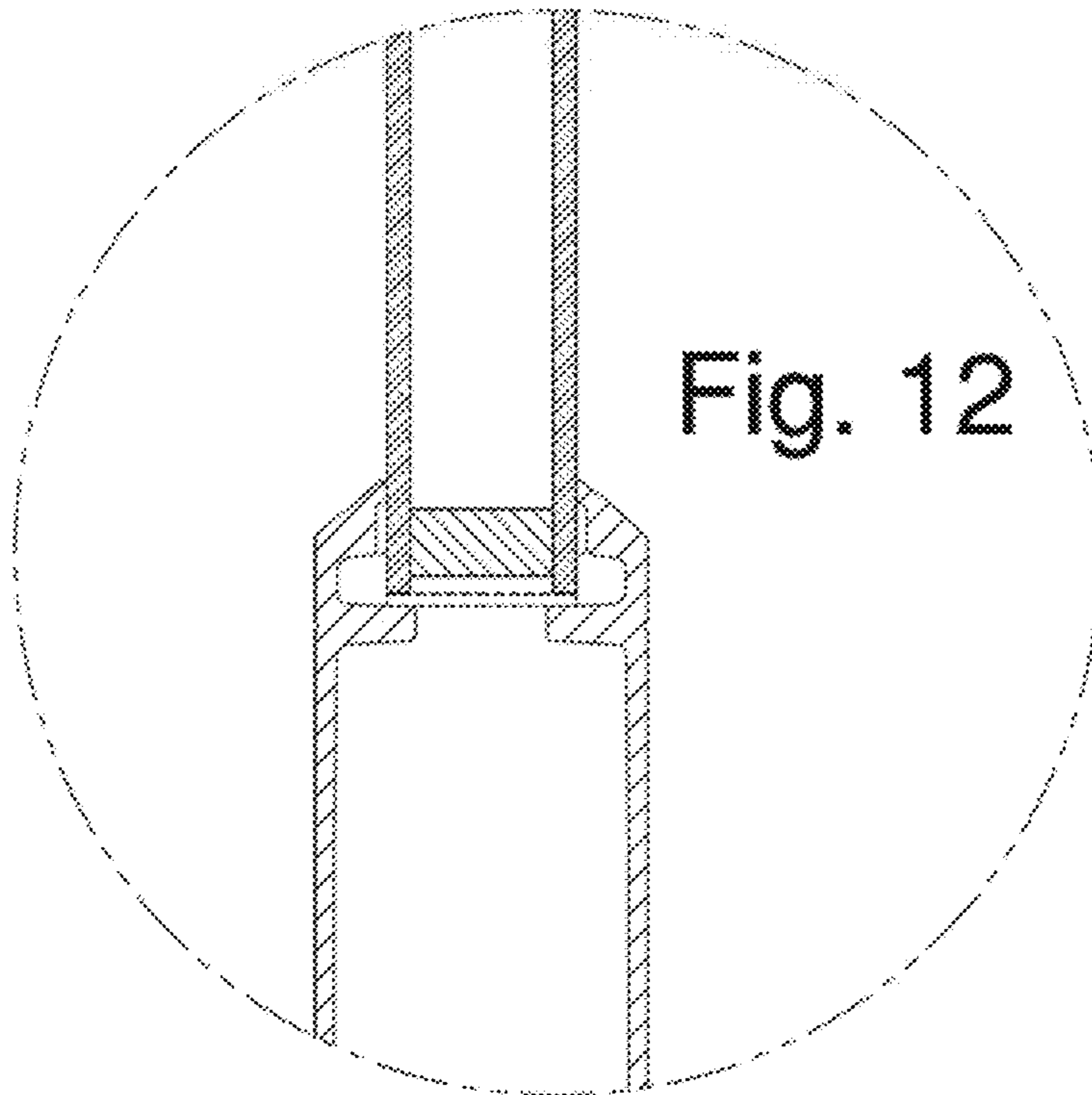
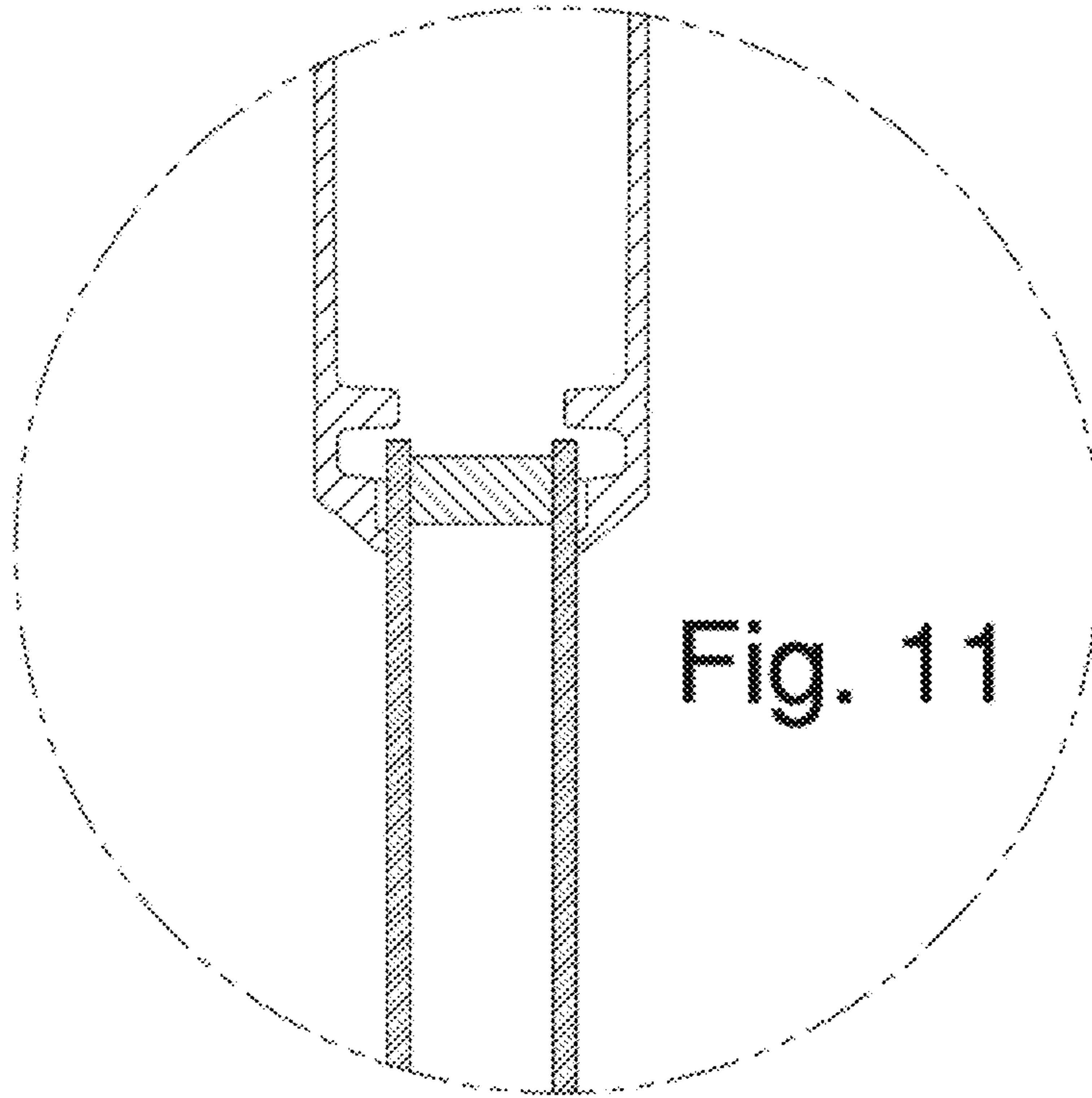


Fig. 13

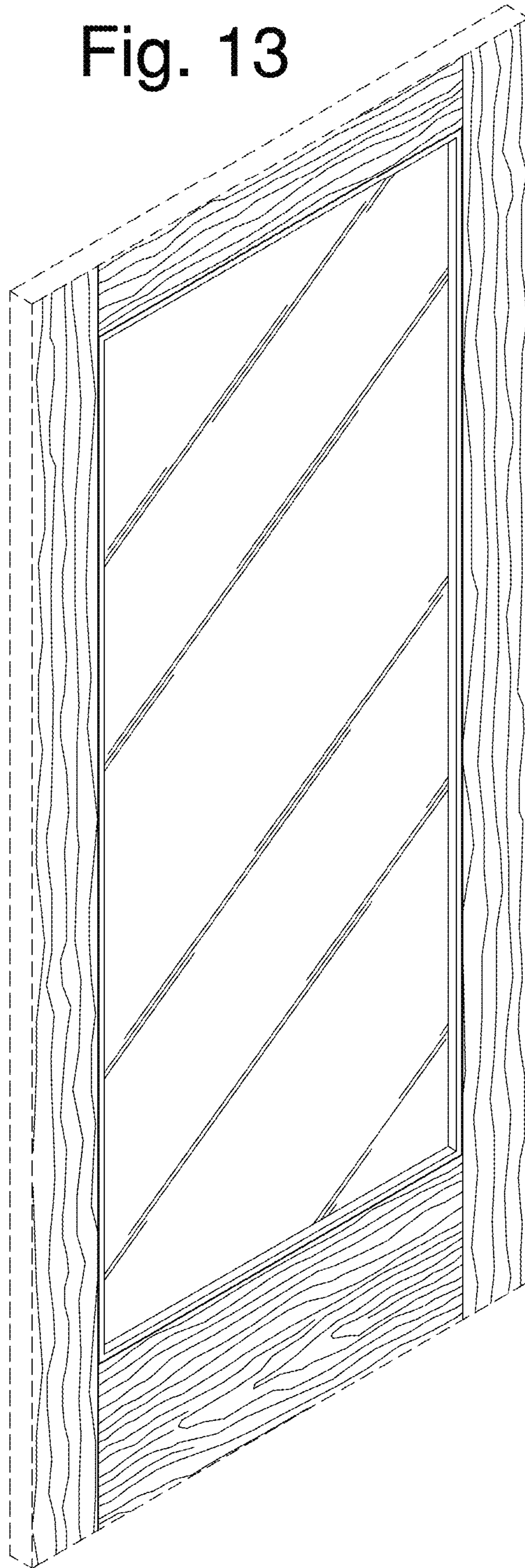


Fig. 14

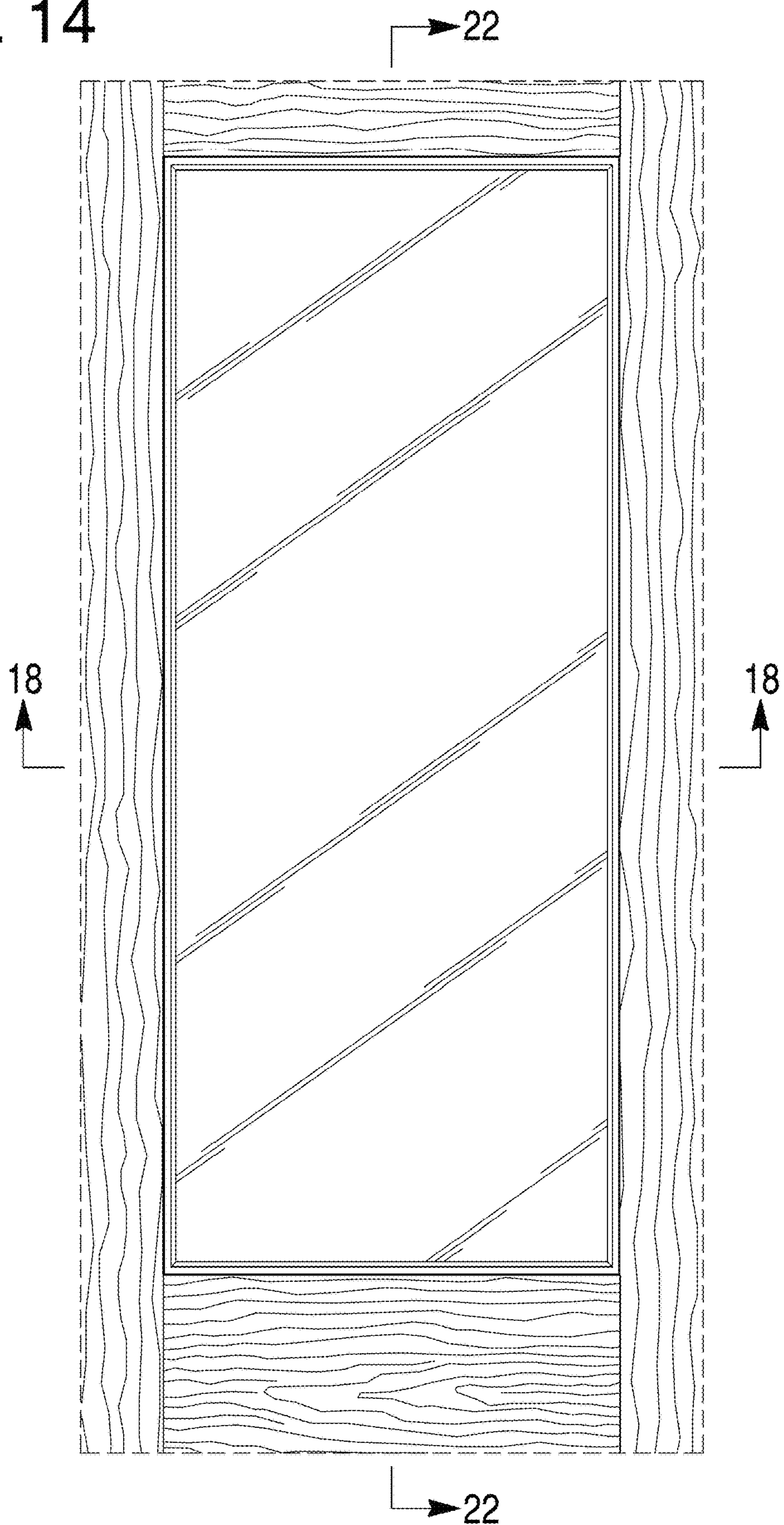


Fig. 15

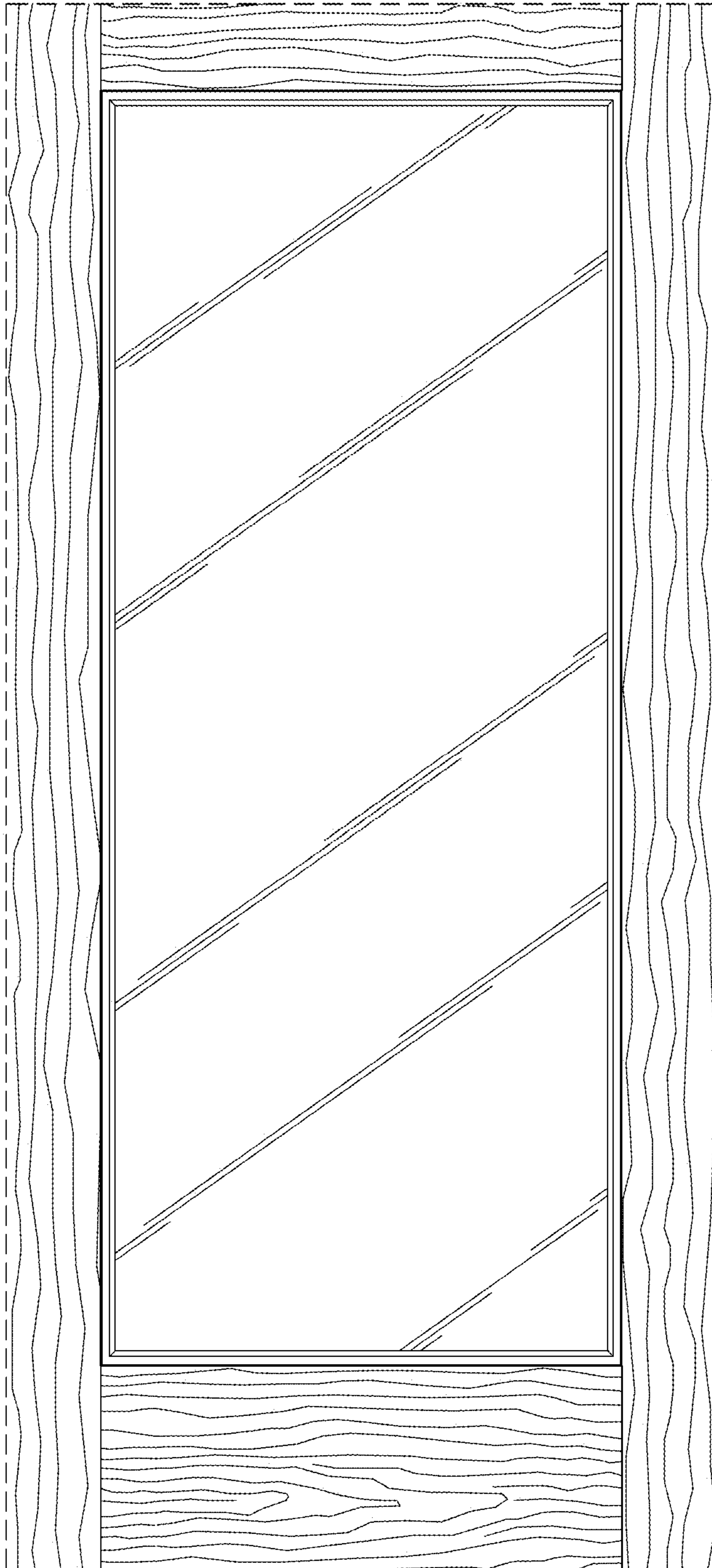


Fig. 16

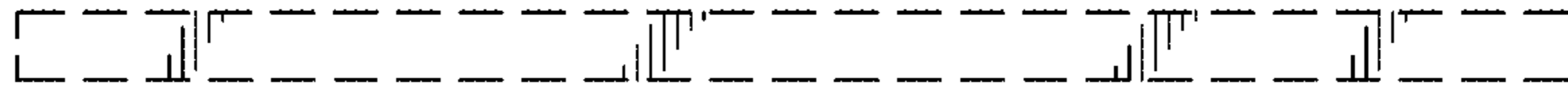


Fig. 17

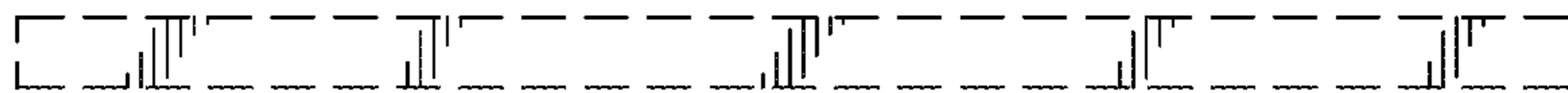


Fig. 18

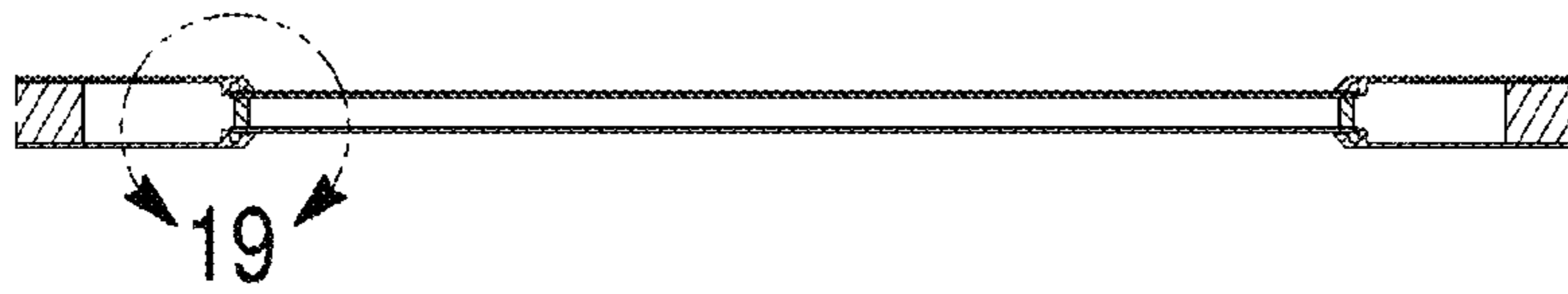


Fig. 19

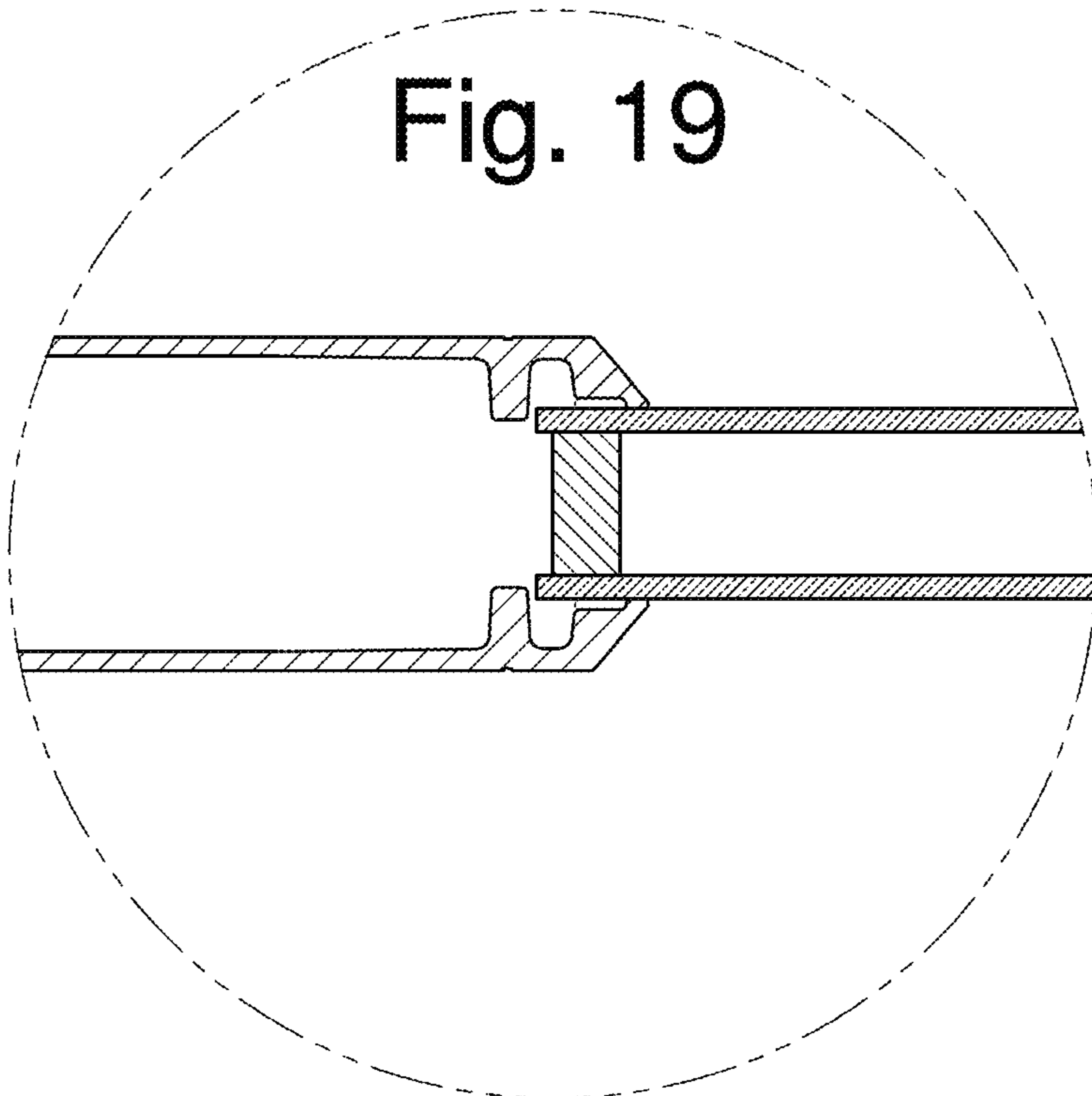


Fig. 20



Fig. 21

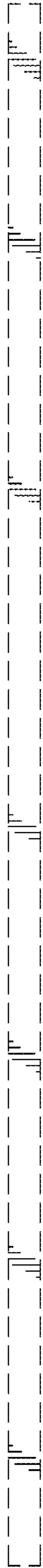


Fig. 22

