



US00D888986S

(12) **United States Design Patent**  
**Kimura**

(10) **Patent No.:** **US D888,986 S**

(45) **Date of Patent:** **\*\* Jun. 30, 2020**

- (54) **LIQUID HANDLING APPARATUS**
- (71) Applicant: **SHIMADZU CORPORATION**, Kyoto (JP)
- (72) Inventor: **Jun Kimura**, Yawata (JP)
- (73) Assignee: **SHIMADZU CORPORATION**, Kyoto (JP)

D667,961 S *	9/2012	Marmier	.....	D24/232
D693,480 S *	11/2013	Spiess	.....	D24/232
D719,668 S *	12/2014	Cien	.....	D24/216
D729,083 S *	5/2015	Kobayashi	.....	D24/216
D787,701 S *	5/2017	Wilson	.....	D24/227
D822,848 S *	7/2018	Lemke	.....	D24/232
2014/0065036 A1 *	3/2014	Orcutt	.....	B01L 9/06 422/552
2019/0033271 A1 *	1/2019	Sabolis	.....	G01N 30/30

- (\*\*) Term: **15 Years**
- (21) Appl. No.: **29/680,892**
- (22) Filed: **Feb. 21, 2019**

\* cited by examiner

*Primary Examiner* — Anhdao Doan

(74) *Attorney, Agent, or Firm* — JCIPRNET

(30) **Foreign Application Priority Data**

Aug. 31, 2018 (JP) ..... 2018-019090

(51) **LOC (12) Cl.** ..... **24-01**

(52) **U.S. Cl.**  
USPC ..... **D24/232**

(58) **Field of Classification Search**

USPC ..... D24/107, 186, 216, 219, 220, 221,  
D24/223–227, 231, 232; D10/81

CPC ..... G01N 2035/00306; G01N 2035/00326;  
G01N 2035/00336; G01N 30/027; G01N  
2030/8804; G01N 2030/8809; G01N  
2030/8813; G01N 2030/8881

See application file for complete search history.

(56) **References Cited**

**U.S. PATENT DOCUMENTS**

5,531,959 A \* 7/1996 Johnson ..... G01N 30/00  
210/198.2

D646,797 S \* 10/2011 Oonuma ..... D24/232

(57) **CLAIM**

The ornamental design for a liquid handling apparatus, as shown and described.

**DESCRIPTION**

FIG. 1 is a perspective view of a liquid handling apparatus showing my new design;

FIG. 2 is a front view thereof;

FIG. 3 is a rear view thereof;

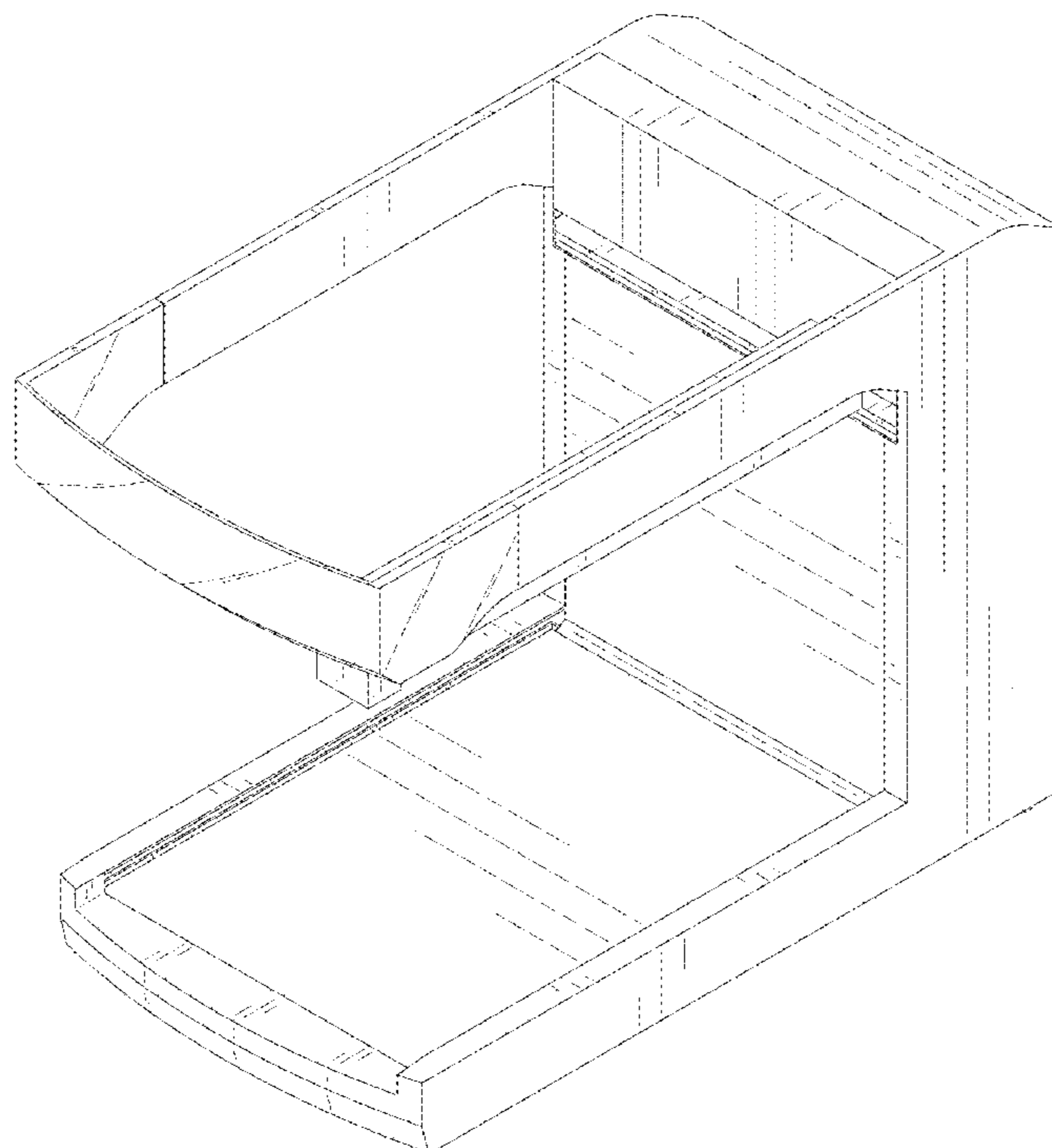
FIG. 4 is a left side view thereof;

FIG. 5 is a right side view thereof;

FIG. 6 is a top view thereof; and,

FIG. 7 is a bottom view thereof.

**1 Claim, 7 Drawing Sheets**



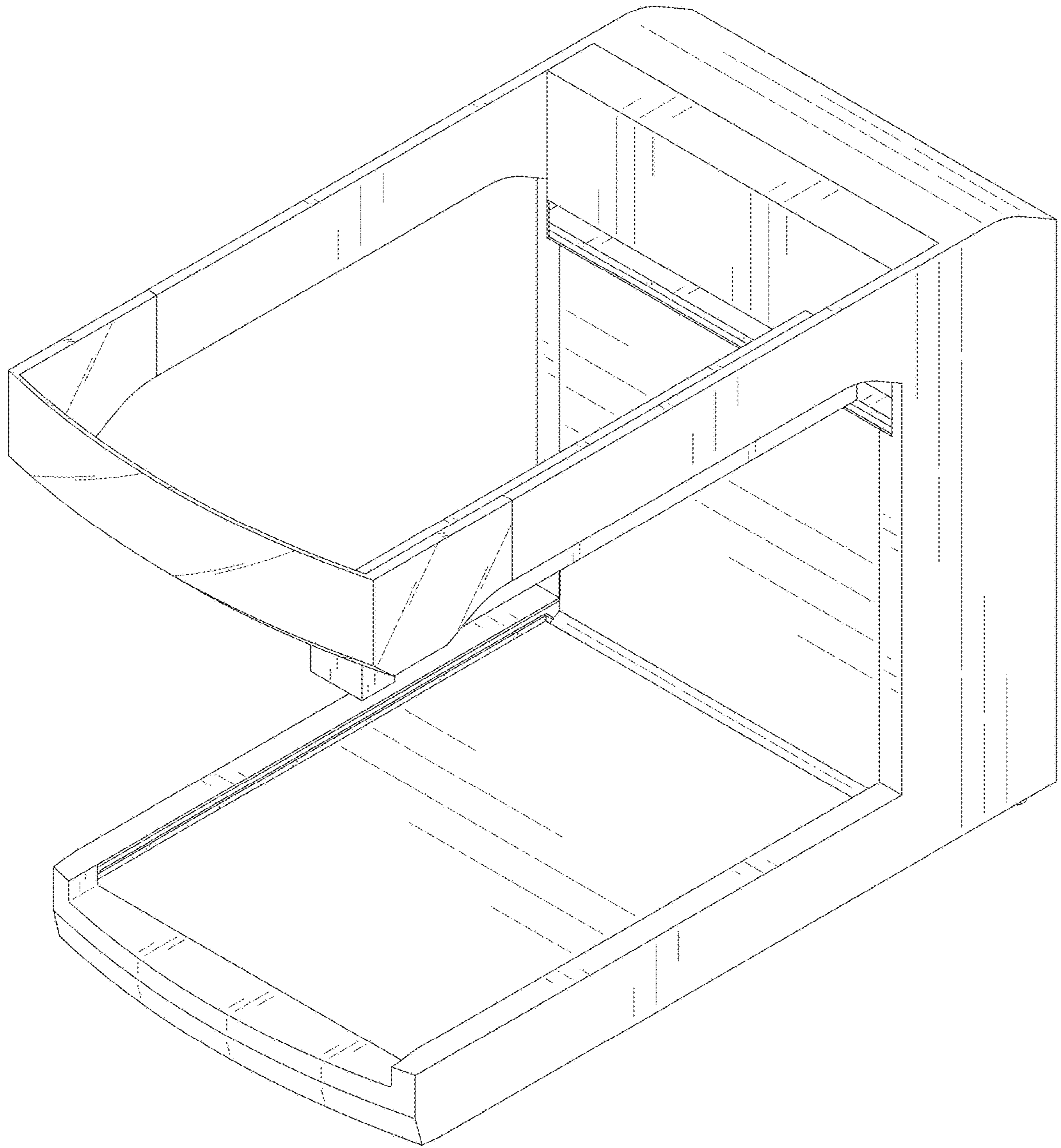


FIG. 1

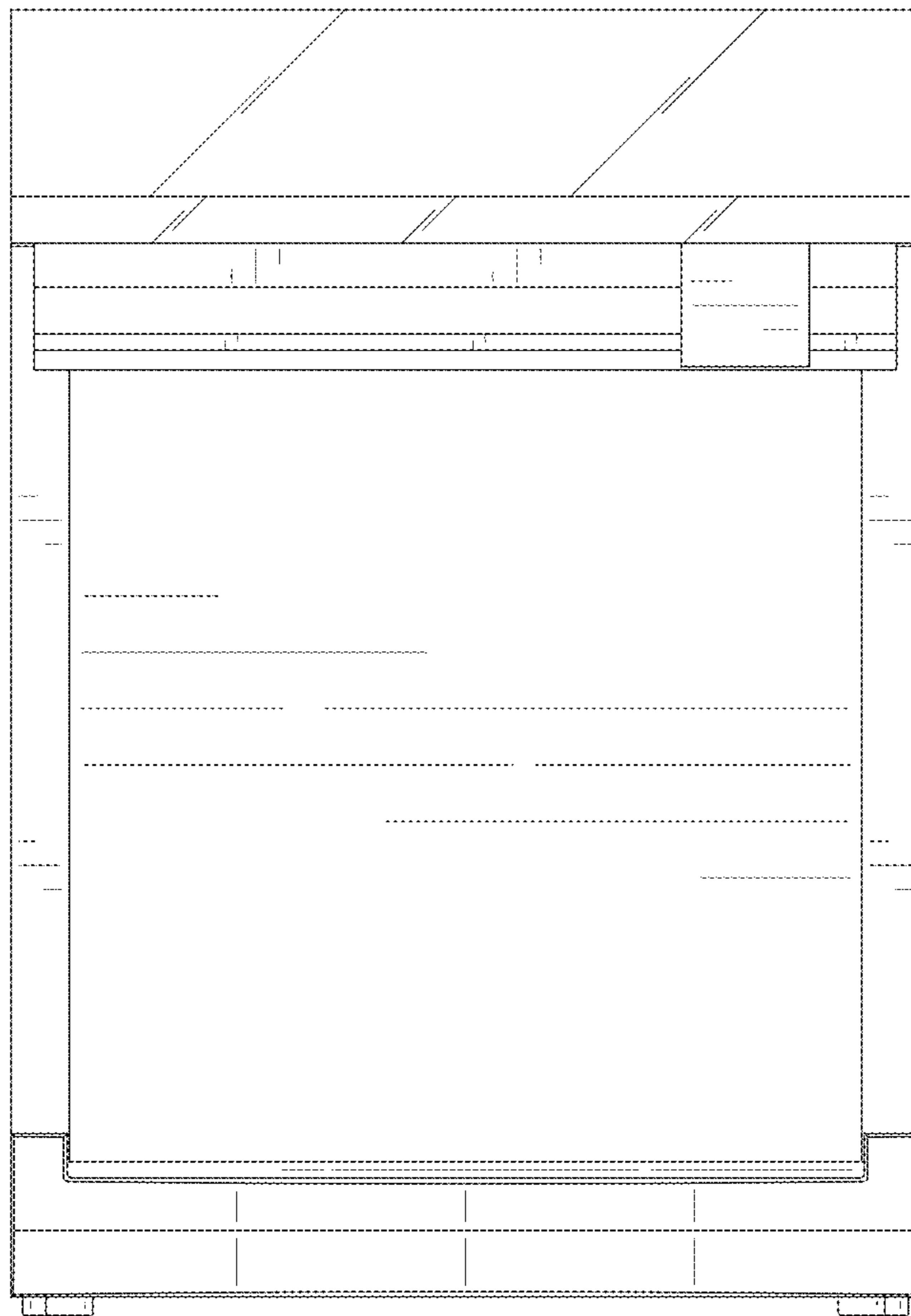


FIG. 2

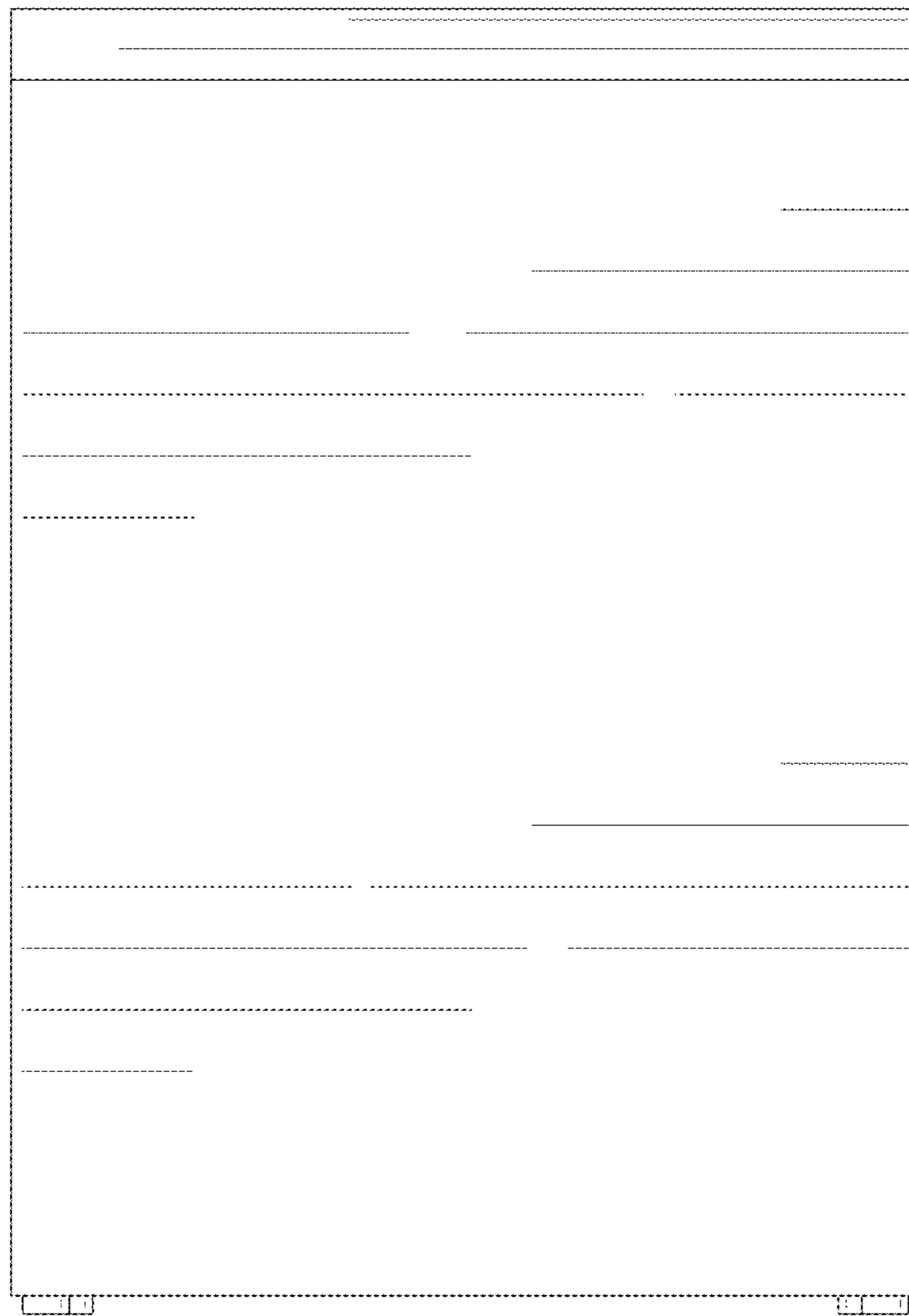


FIG. 3

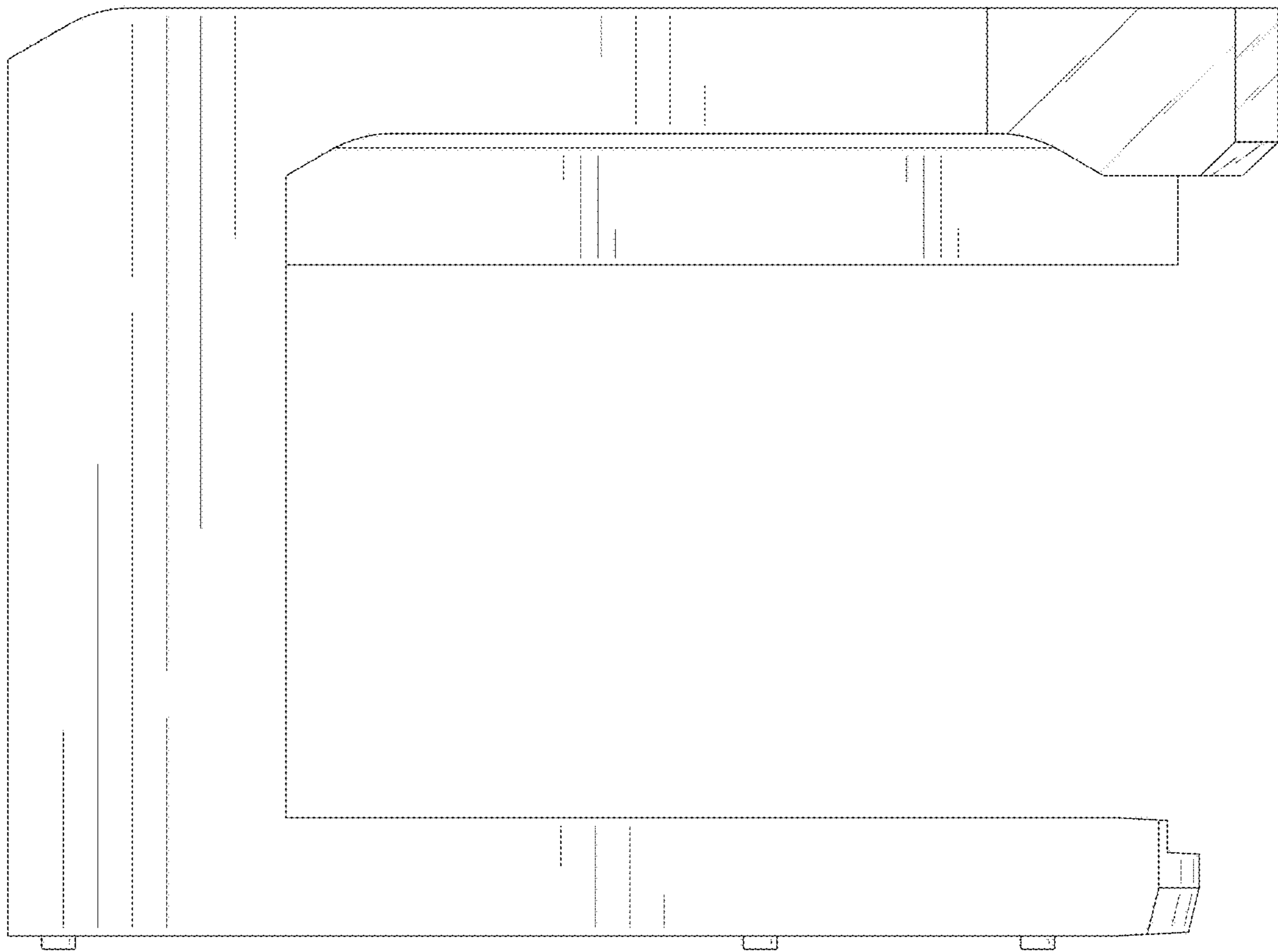


FIG. 4

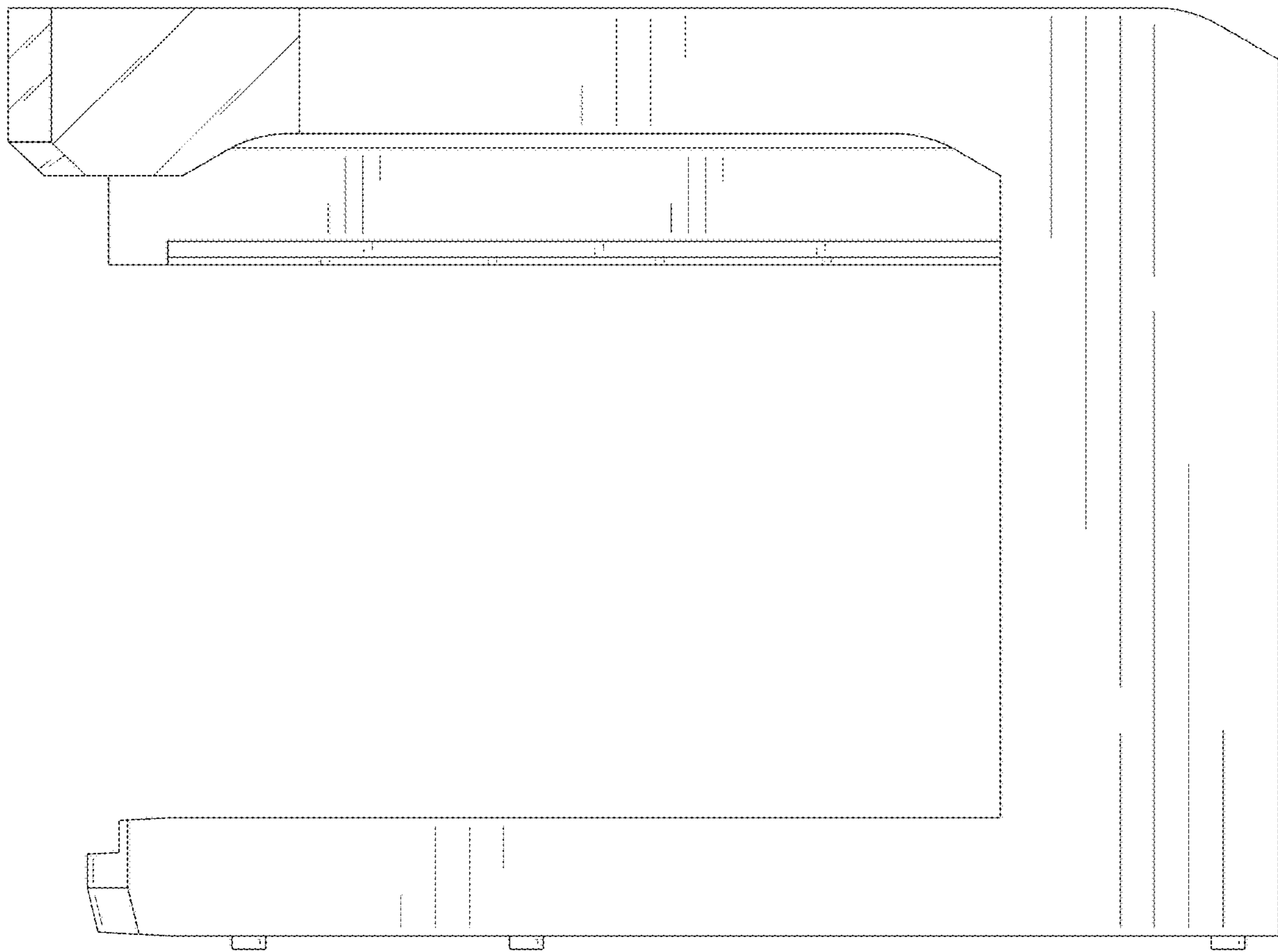


FIG. 5



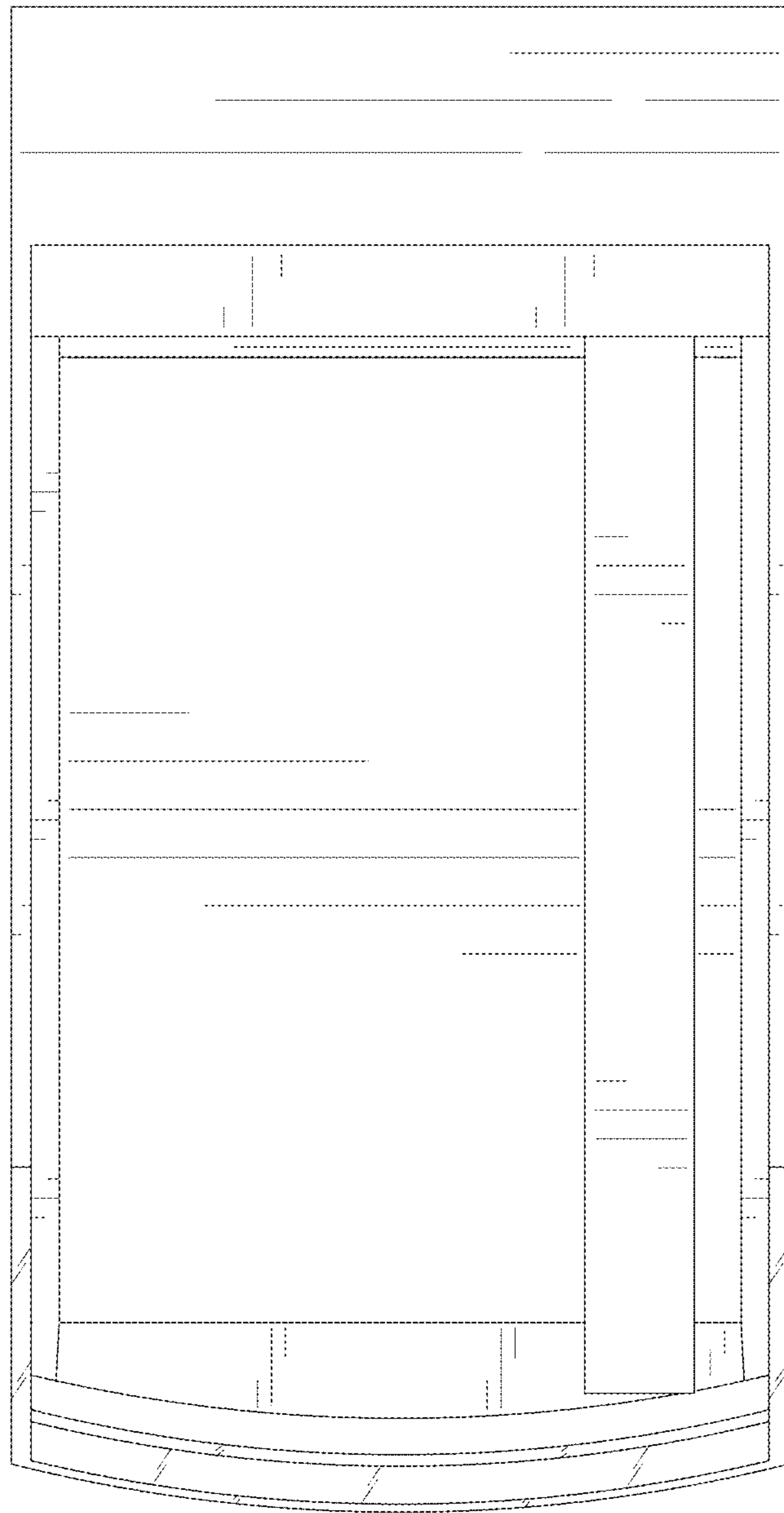


FIG. 6

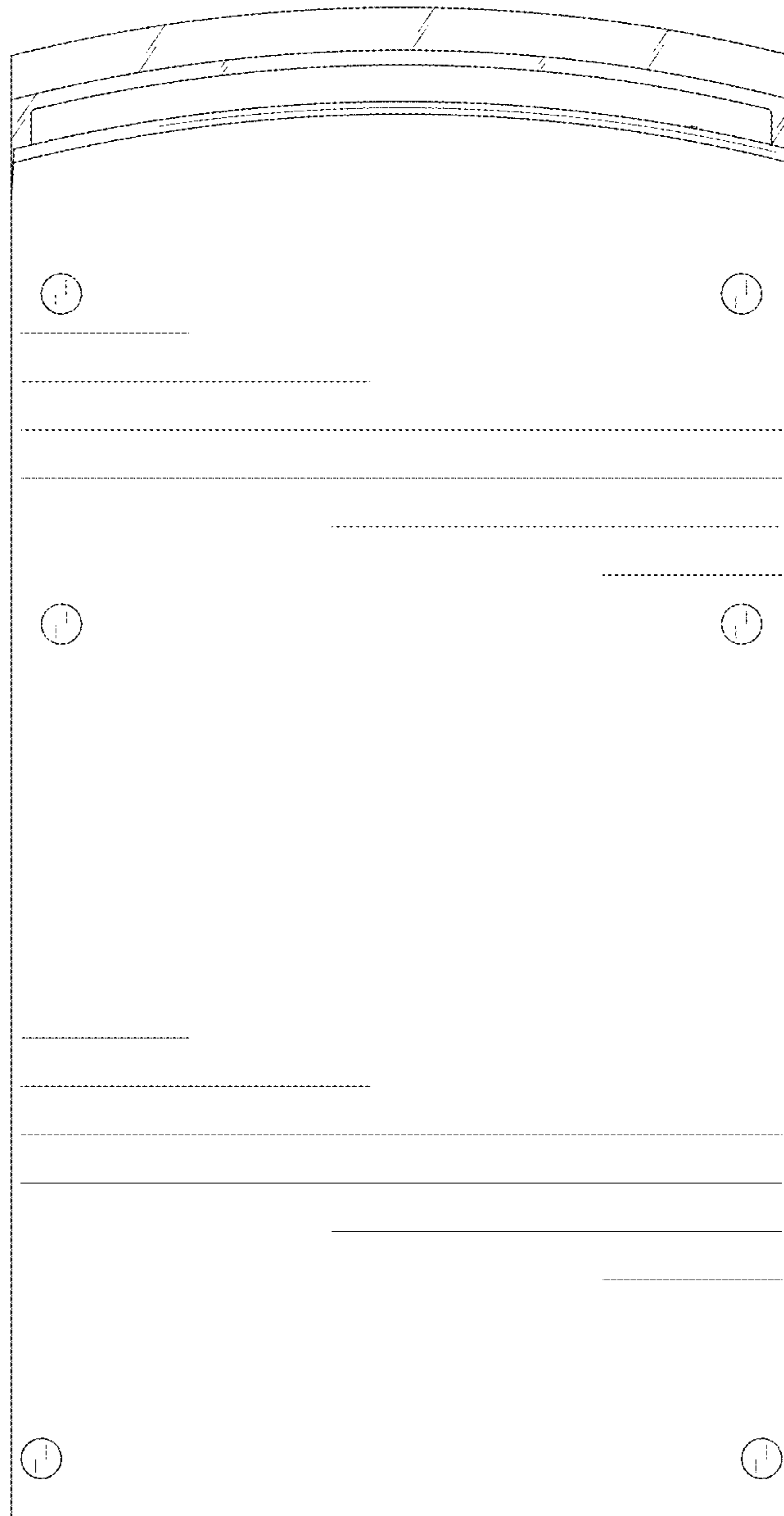


FIG. 7