



US00D888985S

(12) **United States Design Patent**
Hsieh

(10) **Patent No.:** **US D888,985 S**
(45) **Date of Patent:** **** Jun. 30, 2020**

(54) **INSTRUMENT FOR MULTI-GENE MARKER ANALYSIS**

(71) Applicant: **Quark Biosciences Taiwan, Inc.**,
Hsinchu County (TW)

(72) Inventor: **Jung-Ya Hsieh**, Hsinchu County (TW)

(73) Assignee: **Quark Biosciences Taiwan, Inc.**,
Hsinchu County (TW)

(**) Term: **15 Years**

(21) Appl. No.: **29/678,572**

(22) Filed: **Jan. 30, 2019**

(51) **LOC (12) Cl.** **24-01**

(52) **U.S. Cl.**
USPC **D24/232**

(58) **Field of Classification Search**

USPC D24/107, 186, 216, 219, 220, 221,
D24/223–227, 231, 232; D10/81
CPC G01N 2035/00306; G01N 2035/00326;
G01N 2035/00336; G01N 2035/00366;
G01N 21/6428; G01N 21/645; G01N
2201/068; C12Q 1/686; B01L 7/52

See application file for complete search history.

(56) **References Cited**

U.S. PATENT DOCUMENTS

D694,888 S * 12/2013 Chung D24/169
D753,311 S * 4/2016 Long D24/186
D819,225 S * 5/2018 Mead D24/233

D830,210 S * 10/2018 Ihara D10/81
D835,293 S * 12/2018 Masuda D24/232
D845,503 S * 4/2019 Jensen D24/216
D871,604 S * 12/2019 Rein D24/216
2012/0071342 A1* 3/2012 Lochhead G01N 21/6452
506/9
2020/0095572 A1* 3/2020 Mao G01N 35/00584

* cited by examiner

Primary Examiner — Anhdao Doan

(74) *Attorney, Agent, or Firm* — JCIPRNET

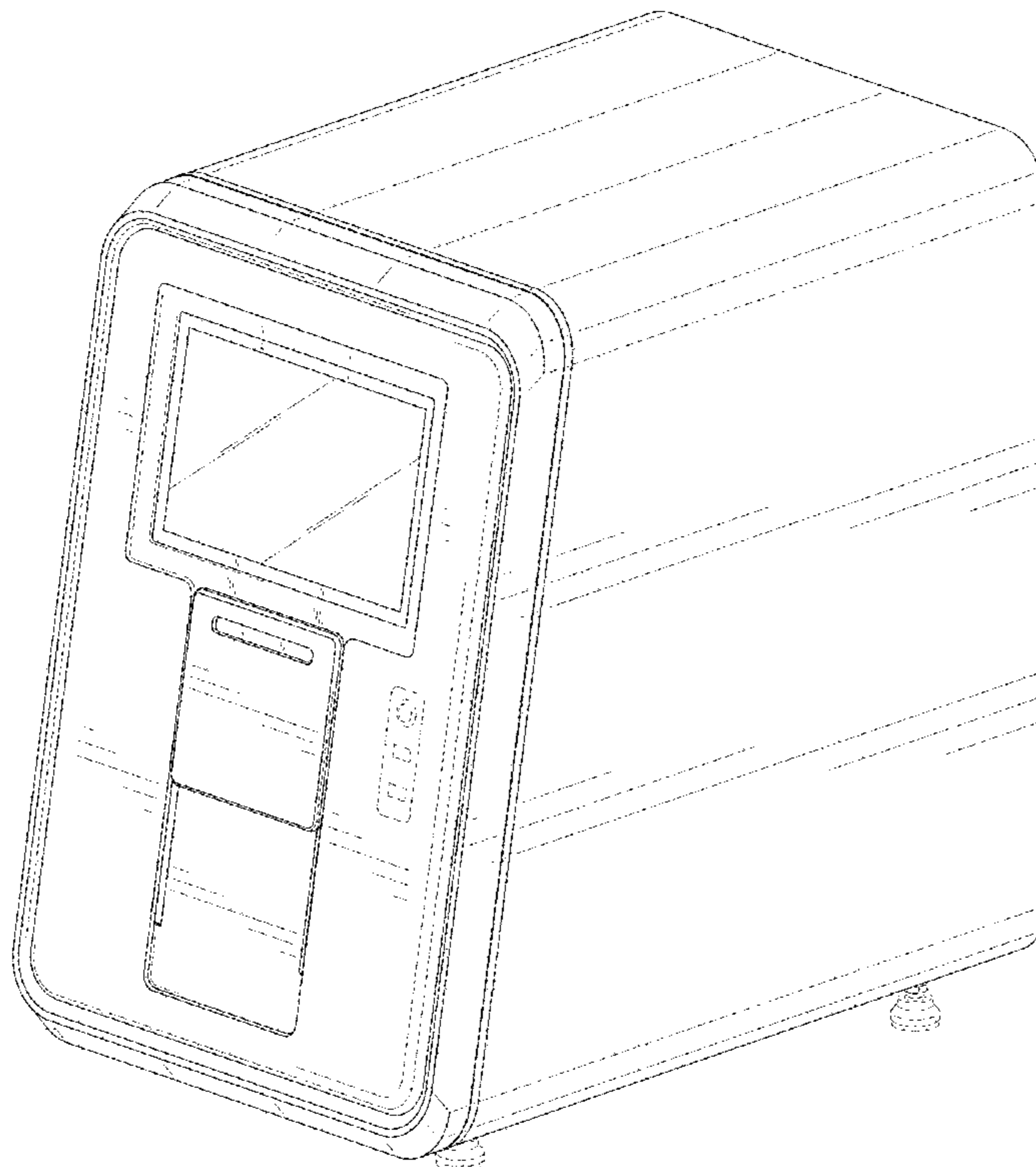
(57) **CLAIM**

The ornamental design for an instrument for multi-gene marker analysis, as shown and described.

DESCRIPTION

FIG. 1 is a perspective view of an instrument for multi-gene marker analysis showing my new design;
FIG. 2 is a front view thereof;
FIG. 3 is a rear view thereof;
FIG. 4 is a left side view thereof;
FIG. 5 is a right side view thereof;
FIG. 6 is a top view thereof;
FIG. 7 is a bottom view thereof;
FIG. 8 is a perspective view thereof in a using state that the cover moved; and,
FIG. 9 is a cross-sectional view taken along line 9-9 in FIG. 2, in which the internal mechanism is omitted.
The dashed broken lines illustrate portions of the instrument for multi-gene marker analysis and form no part of the claimed design.

1 Claim, 9 Drawing Sheets



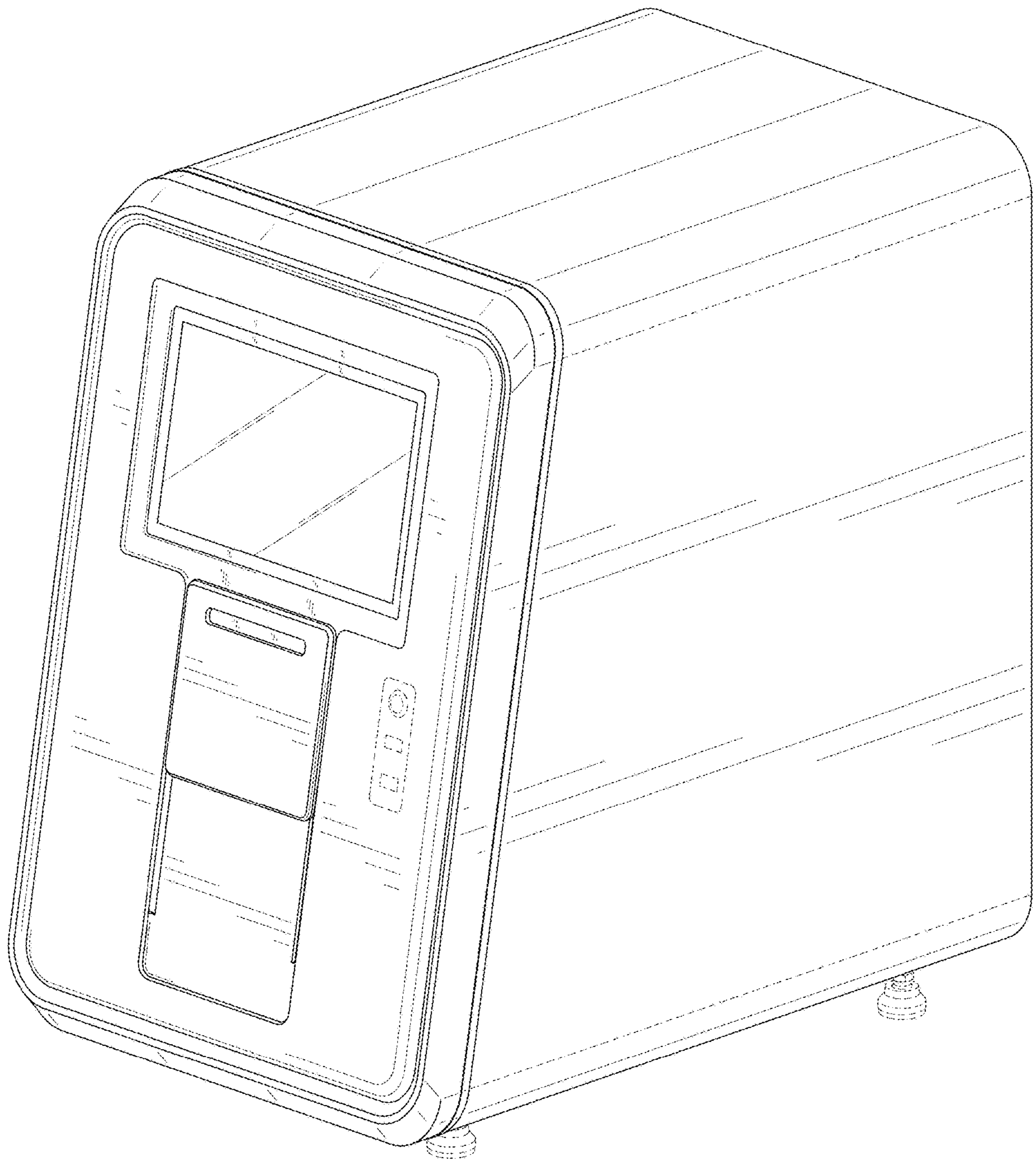


FIG. 1

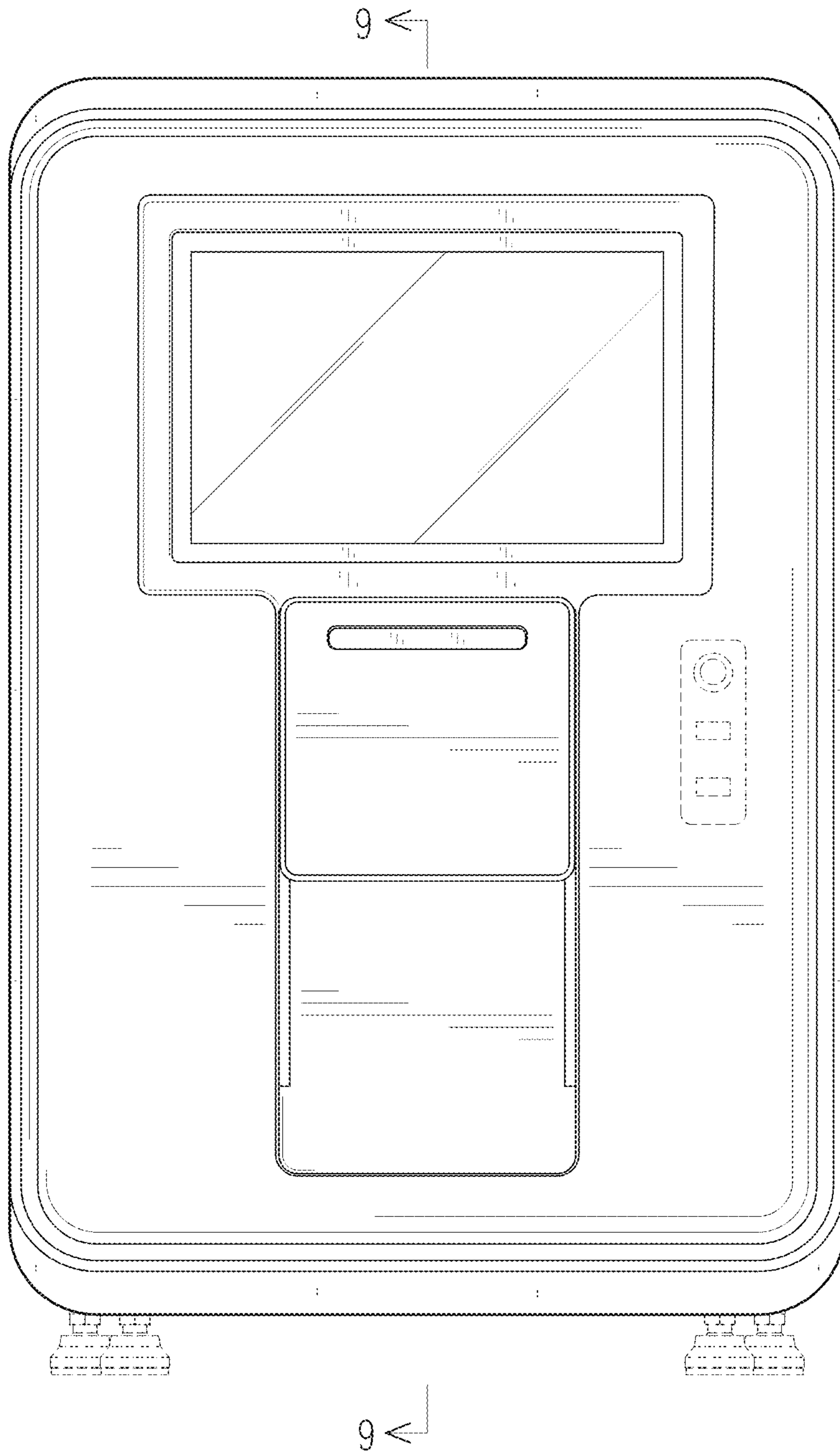


FIG. 2

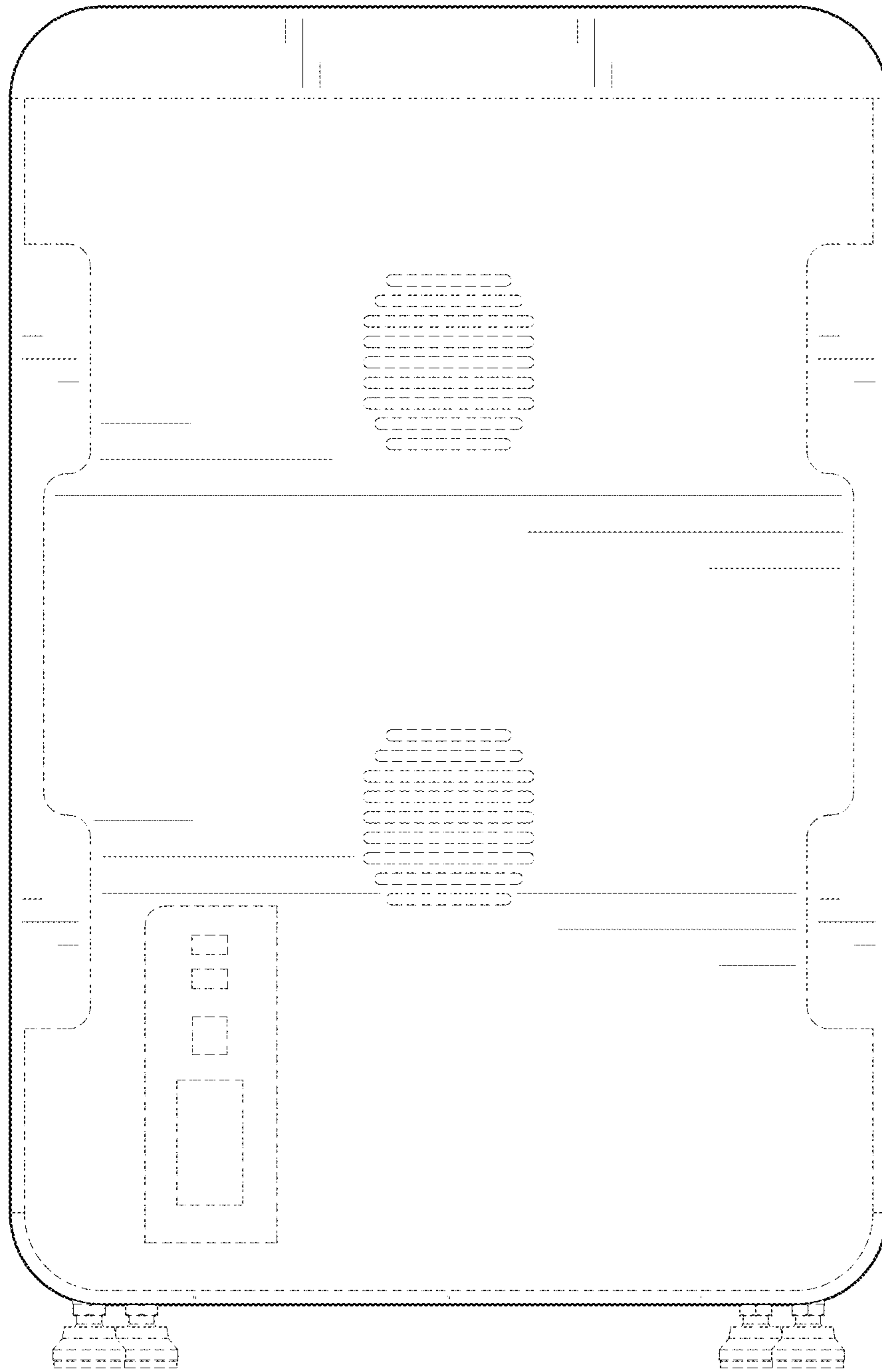


FIG. 3

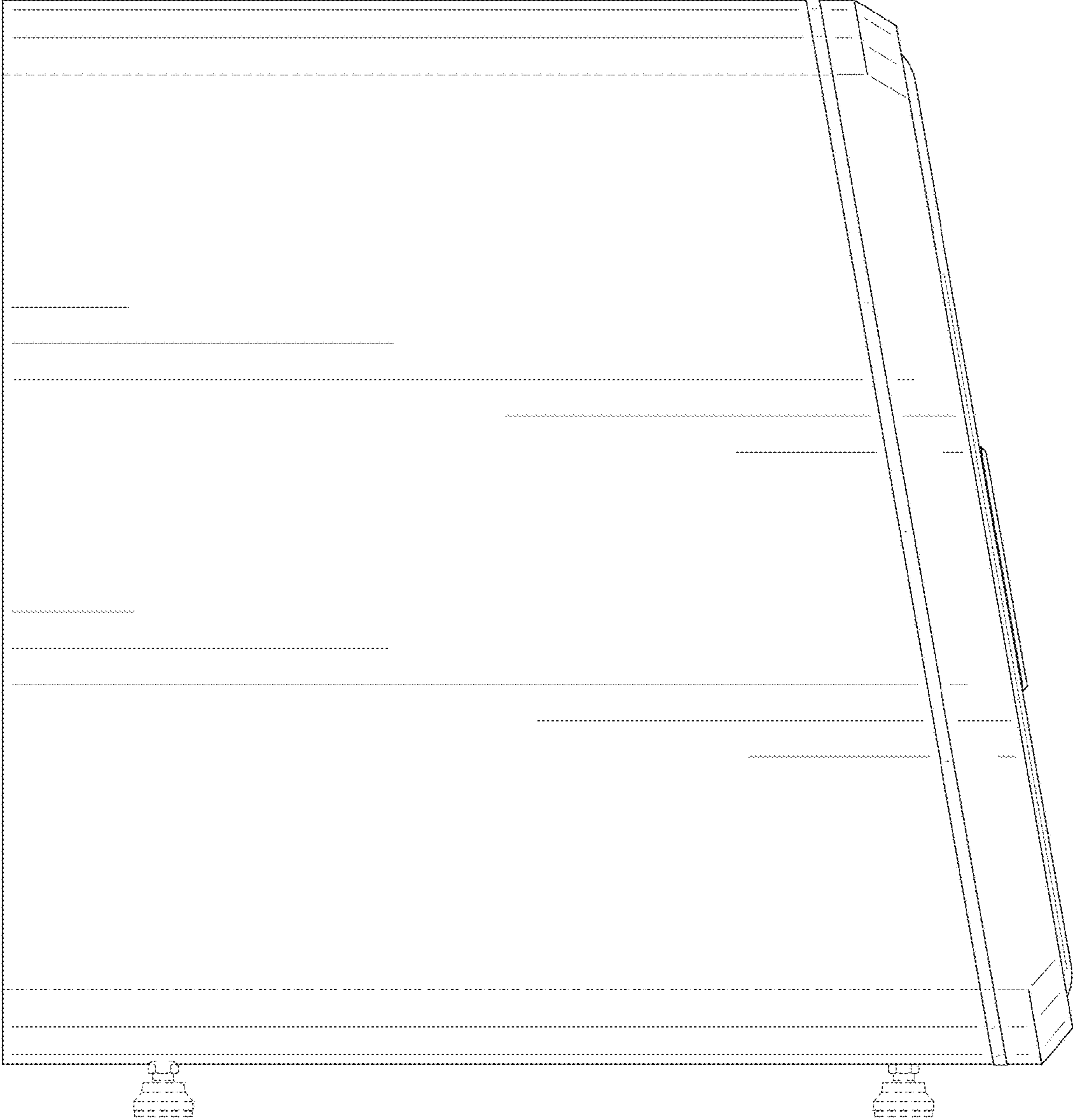


FIG. 4

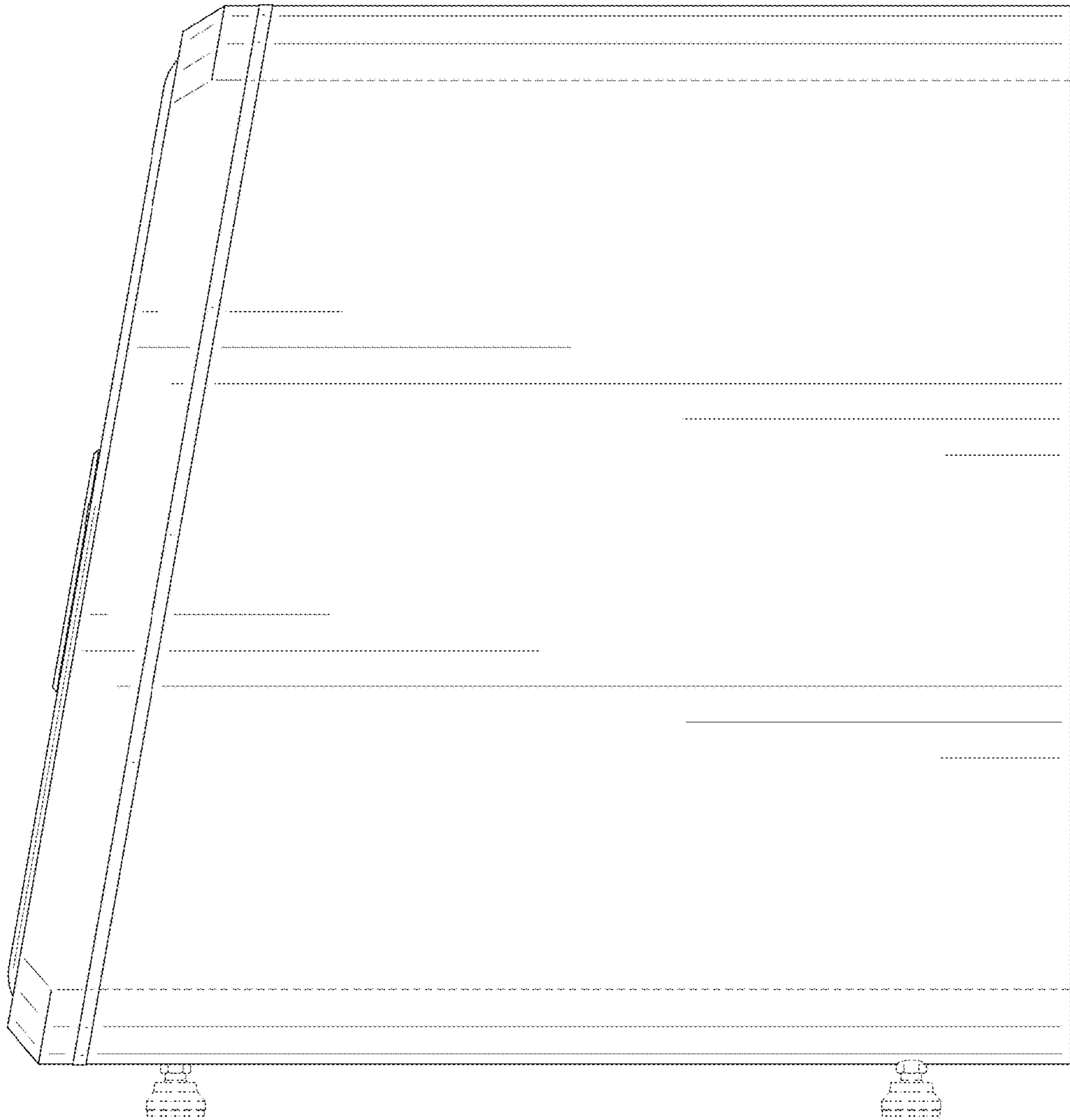


FIG. 5

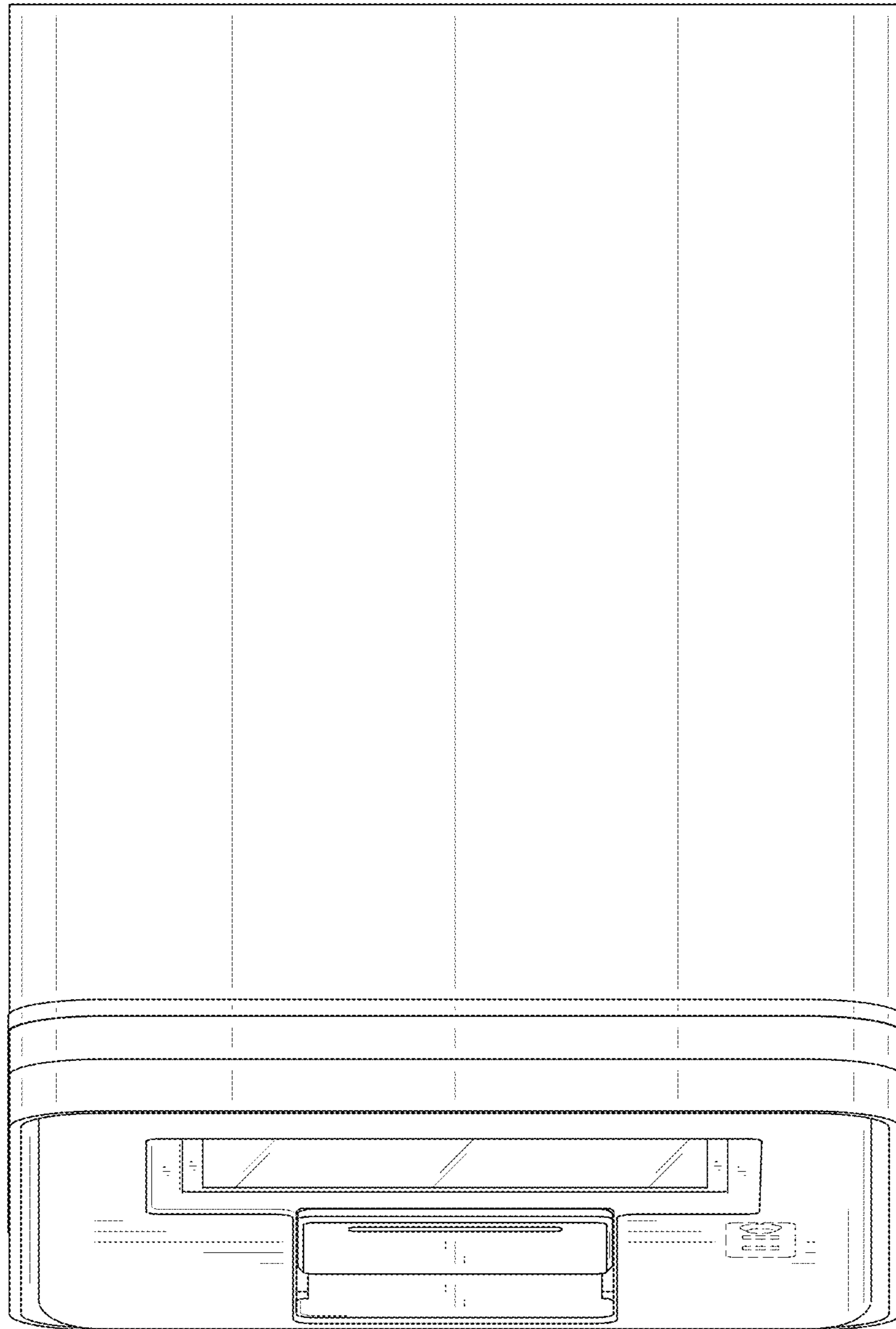


FIG. 6

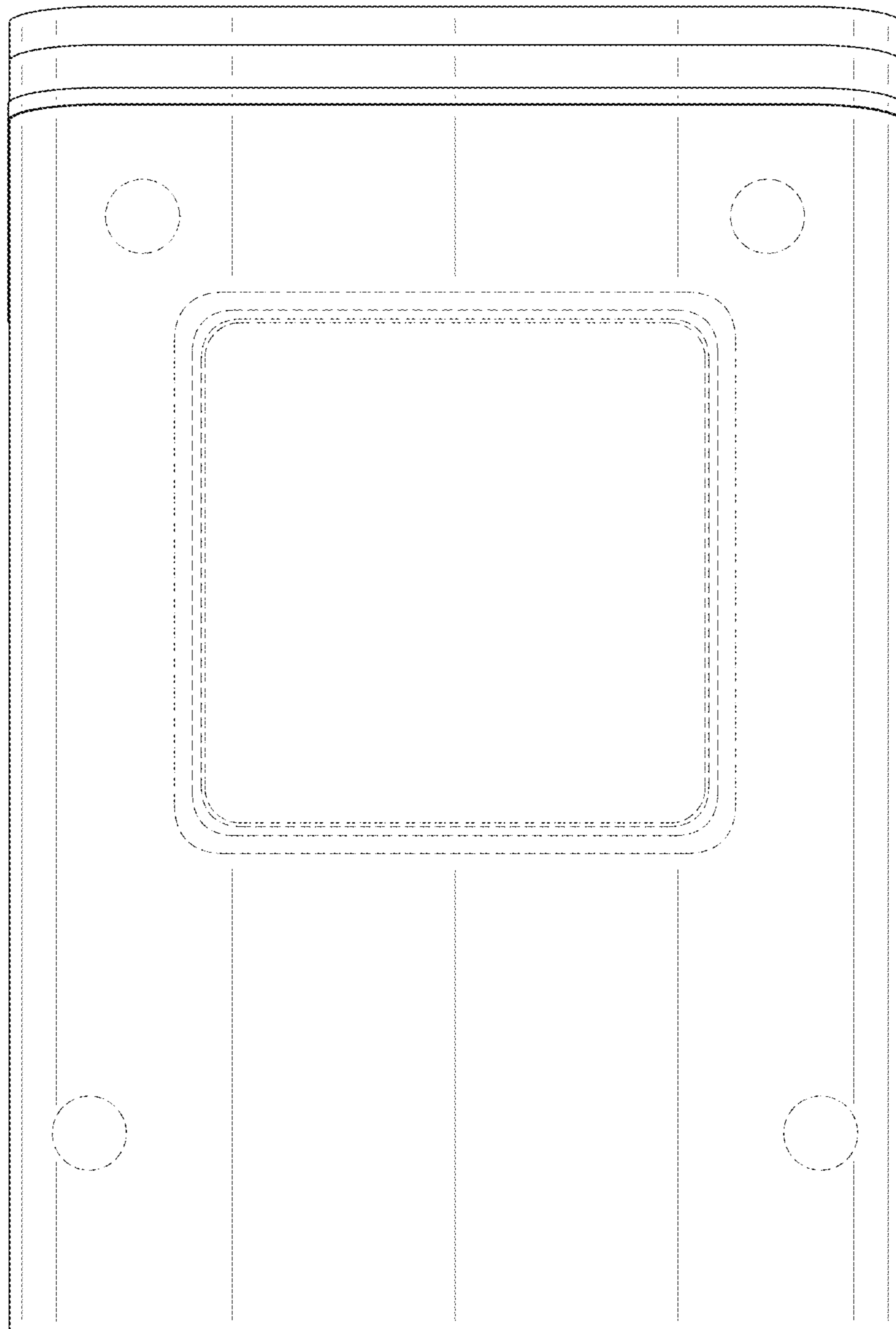


FIG. 7

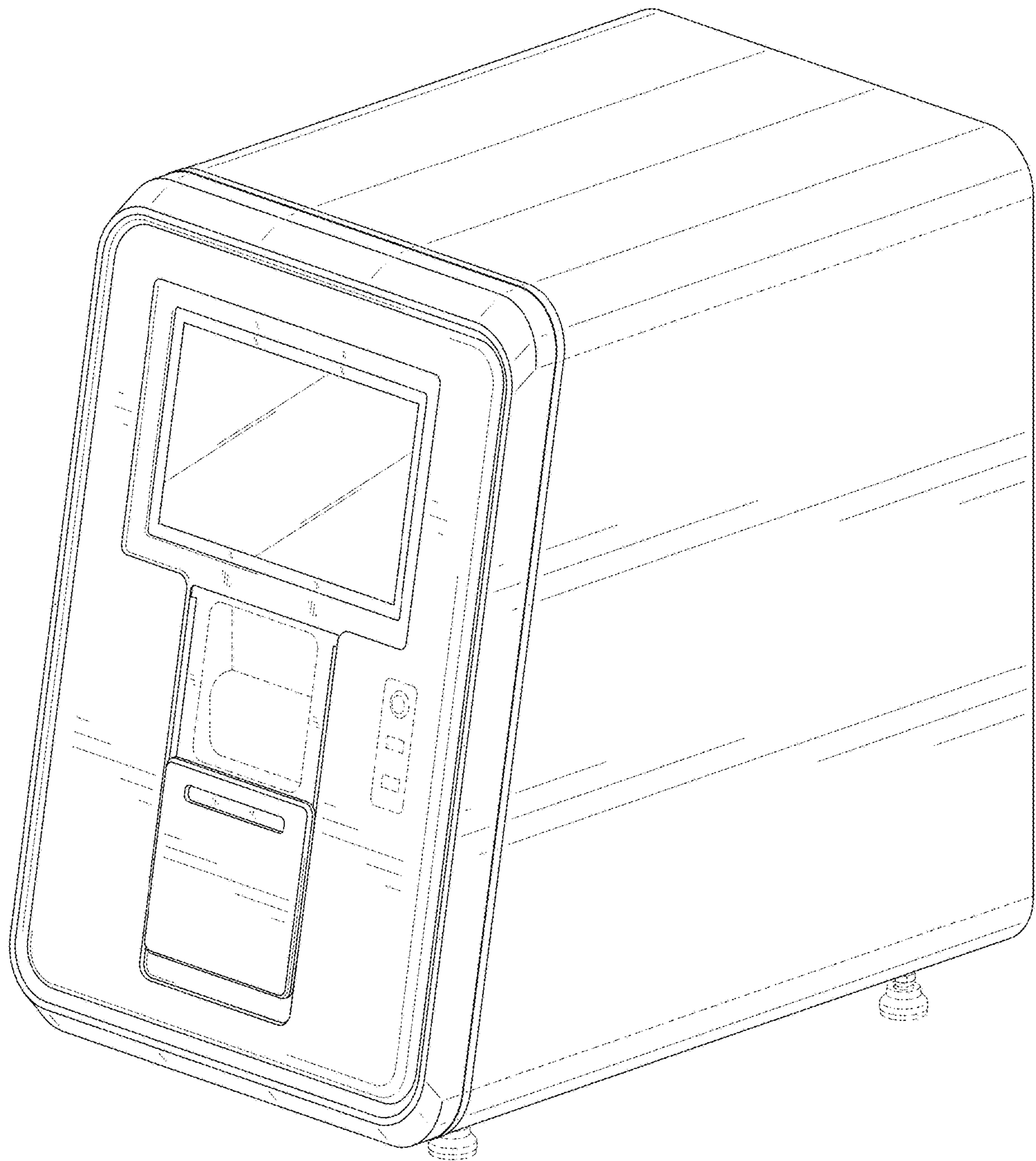


FIG. 8

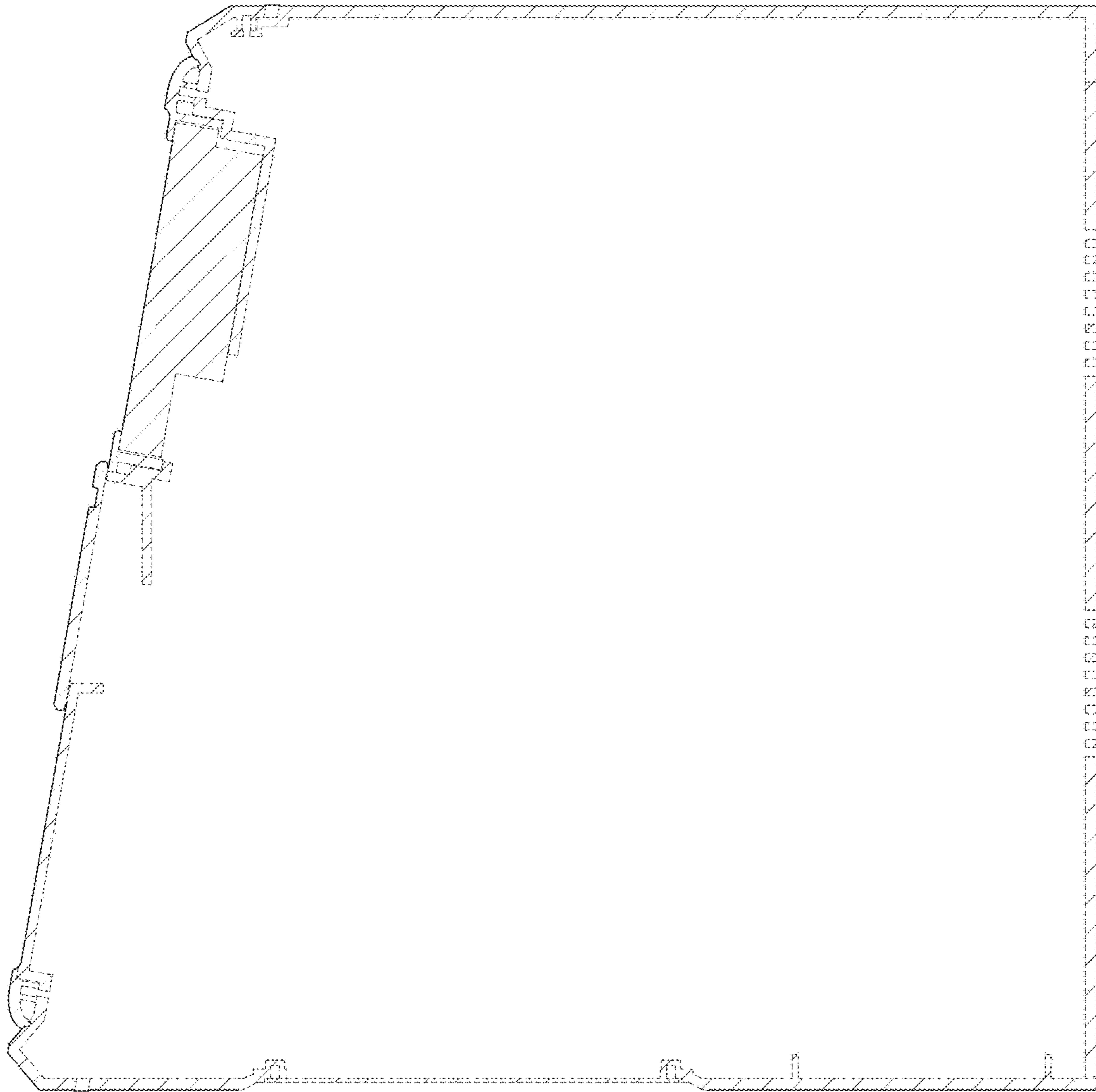


FIG. 9