



US00D888984S

(12) **United States Design Patent** (10) **Patent No.:** **US D888,984 S**  
**Solakian** (45) **Date of Patent:** **\*\* Jun. 30, 2020**

(54) **CHEMICAL CADDY**  
(71) Applicant: **Michael Solakian**, Santa Clarita, CA (US)  
(72) Inventor: **Michael Solakian**, Santa Clarita, CA (US)  
(\*\*) Term: **15 Years**  
(21) Appl. No.: **29/687,520**  
(22) Filed: **Apr. 12, 2019**  
(51) **LOC (12) Cl.** ..... **24-02**  
(52) **U.S. Cl.**  
USPC ..... **D24/227**  
(58) **Field of Classification Search**  
USPC ..... D24/103, 107, 108, 128, 131, 216, 225, D24/226, 227, 229, 230, 231; D3/203.1, D3/203.3, 307-312, 315; D9/755, 759, D9/760, 781, 770; D6/525-529; D7/550.1, 552.1, 553.1-553.2, 553.7, D7/554.2-554.4, 561, 706  
CPC ..... B24B 37/30  
See application file for complete search history.

D381,562 S 7/1997 Westcott  
D400,355 S 11/1998 Apenes  
D405,268 S 2/1999 Apenes  
D420,221 S 2/2000 Williams  
6,039,205 A 3/2000 Flink  
D423,780 S 5/2000 Alonge  
D426,062 S 6/2000 Shui-Shang  
D451,281 S 12/2001 Wodkowski  
D501,679 S \* 2/2005 Smith ..... D24/216  
D501,680 S \* 2/2005 Smith ..... D24/216  
D508,596 S 8/2005 Chochinov  
D511,894 S 11/2005 Janney

(Continued)

*Primary Examiner* — Susan Bennett Hattan  
*Assistant Examiner* — Omeed Agilee  
(74) *Attorney, Agent, or Firm* — Quickpatents, LLC; Kevin Prince

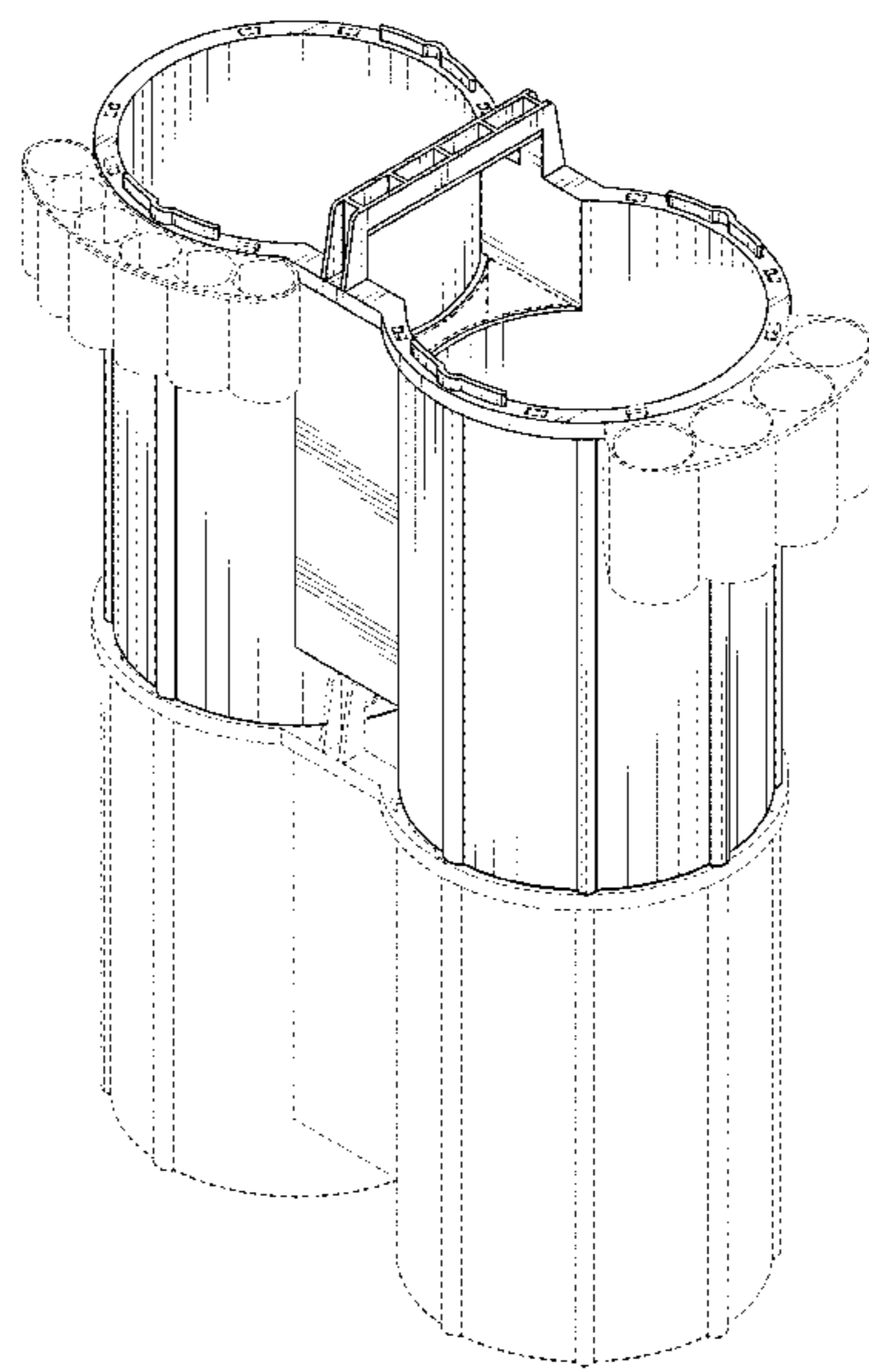
(57) **CLAIM**  
The ornamental design for a chemical caddy, as shown and described.

**DESCRIPTION**

FIG. 1 is a perspective view of a chemical caddy, showing my new design;  
FIG. 2 is an alternate perspective view thereof;  
FIG. 3 is a front elevational view thereof;  
FIG. 4 is a rear elevational view thereof;  
FIG. 5 is a left-side elevational view thereof;  
FIG. 6 is a right-side elevational view thereof;  
FIG. 7 is a top plan view thereof; and,  
FIG. 8 is a bottom plan view thereof.  
The broken lines showing a second chemical caddy in FIG. 1 and additional side-attached chemical containers in the figures depict environmental subject matter and form no part of the claimed design. The remaining broken lines depict portions of the chemical caddy that form no part of the claimed design. The dot dash dot broken lines depict the boundaries of the claim and form no part thereof.

(56) **References Cited**  
U.S. PATENT DOCUMENTS  
D237,686 S \* 11/1975 Torokvi ..... D3/309  
D278,930 S \* 5/1985 Zaccai ..... D24/226  
D280,773 S 9/1985 Addy  
D314,658 S 2/1991 Ancona  
D319,074 S 8/1991 Fulghum  
D326,347 S 5/1992 Ancona  
D341,463 S 11/1993 Booth  
D346,682 S 5/1994 Trovato  
D347,942 S 6/1994 Gilbert  
D353,083 S \* 12/1994 Simon ..... D3/316  
D354,989 S 1/1995 West  
D356,915 S \* 4/1995 Torres ..... D24/217  
D357,119 S 4/1995 Calmeise  
D364,039 S 11/1995 Kruger

**1 Claim, 8 Drawing Sheets**



(56)

References Cited

U.S. PATENT DOCUMENTS

D526,409 S *	8/2006	Nielsen	.....	D24/108	D725,910 S	4/2015	Sampaio	
D541,531 S	5/2007	Leao			D725,911 S	4/2015	McManus	
D543,277 S *	5/2007	White	.....	604/174	D748,279 S *	1/2016	McHale	..... D24/227
D551,439 S *	9/2007	Smetham	.....	D3/203.1	D762,429 S *	8/2016	Kross	..... D7/706
D562,557 S	2/2008	Lewis			D762,934 S	8/2016	Evans	
D579,661 S *	11/2008	Sawdey	.....	D3/311	D775,057 S	12/2016	Meckler	
D583,937 S *	12/2008	White	.....	D24/128	D779,081 S *	2/2017	McHale	..... D24/227
D624,319 S	9/2010	Riedel			D789,091 S	6/2017	Lai	
D635,769 S	4/2011	Sosnovsky			D789,690 S	6/2017	Foley	
D636,220 S	4/2011	Caldwell			D792,102 S *	7/2017	Pietrantonio	..... D3/309
D651,454 S	1/2012	Chin			D793,717 S	8/2017	Boliat	
D662,714 S	7/2012	Fraiman			D806,392 S *	1/2018	Glick	..... D3/315
D688,589 S	8/2013	Hung			D812,244 S *	3/2018	Shanafelter	..... D24/230
D690,109 S	9/2013	Shupp			D812,377 S	3/2018	Shpitzer	
D696,419 S *	12/2013	Fusellier	.....	D24/230	D819,972 S *	6/2018	Chang	..... D3/315
D697,309 S	1/2014	Baldwin			D823,600 S	7/2018	Pennington	
8,636,169 B2	1/2014	Sampaio			D824,674 S	8/2018	Seiders	
D704,935 S	5/2014	Lintz			D826,372 S	8/2018	Shores	
D721,496 S	1/2015	Hofem			D838,482 S	1/2019	Pistauer	
					D843,113 S	3/2019	Carter	
					2006/0027469 A1	2/2006	Irwin	
					2009/0159598 A1	6/2009	Kuehneman	

\* cited by examiner

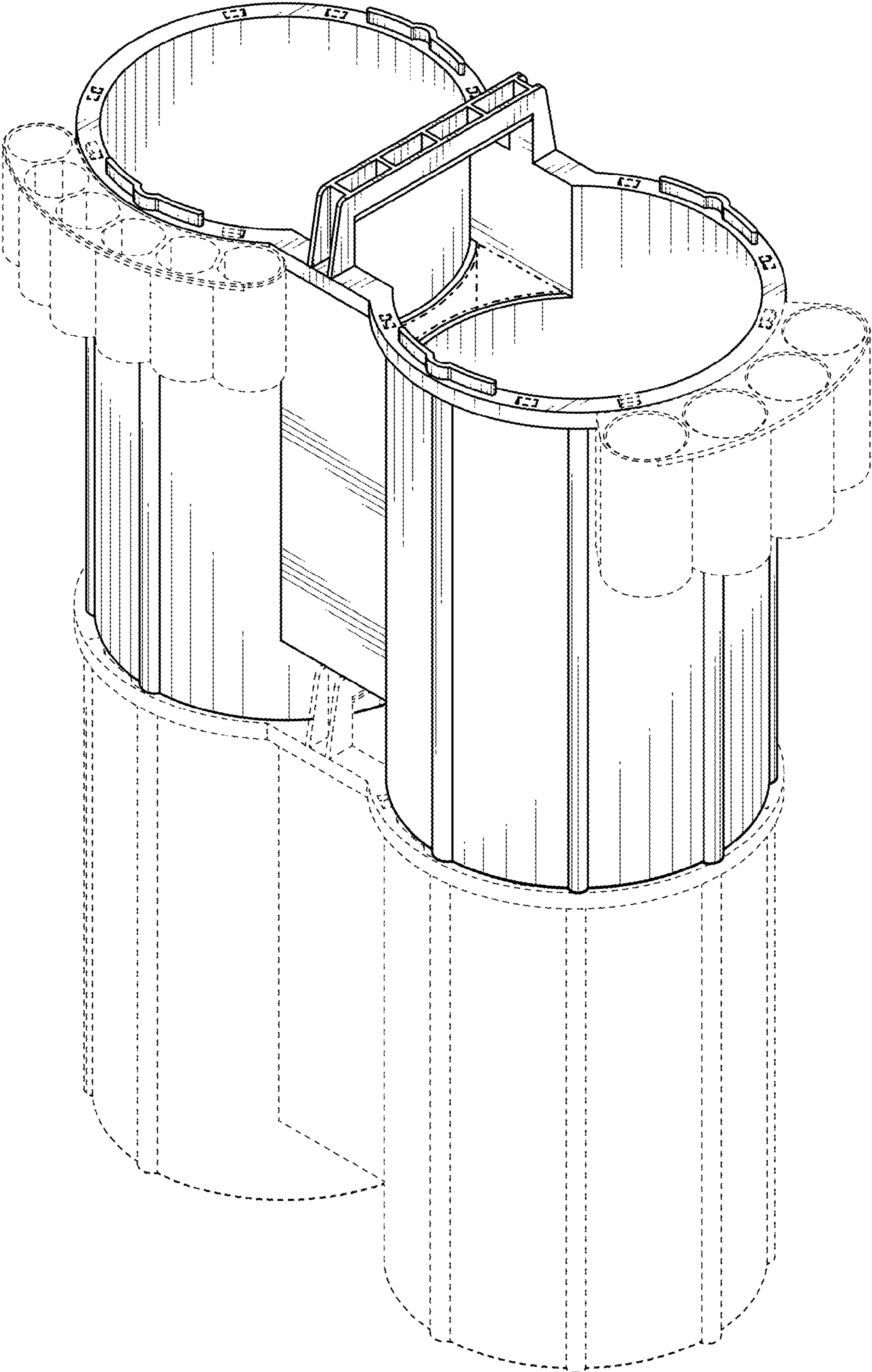


FIG. 1



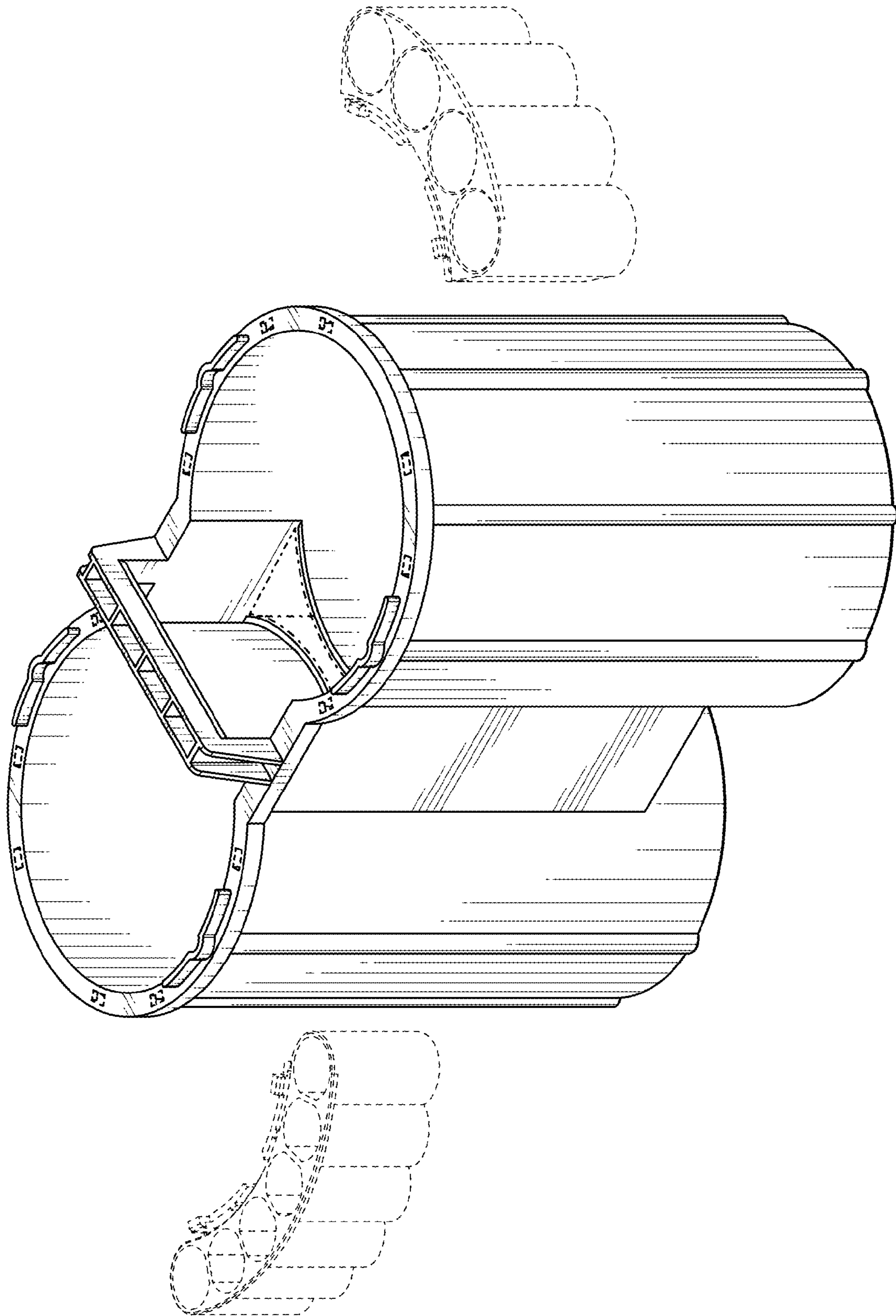


FIG. 2

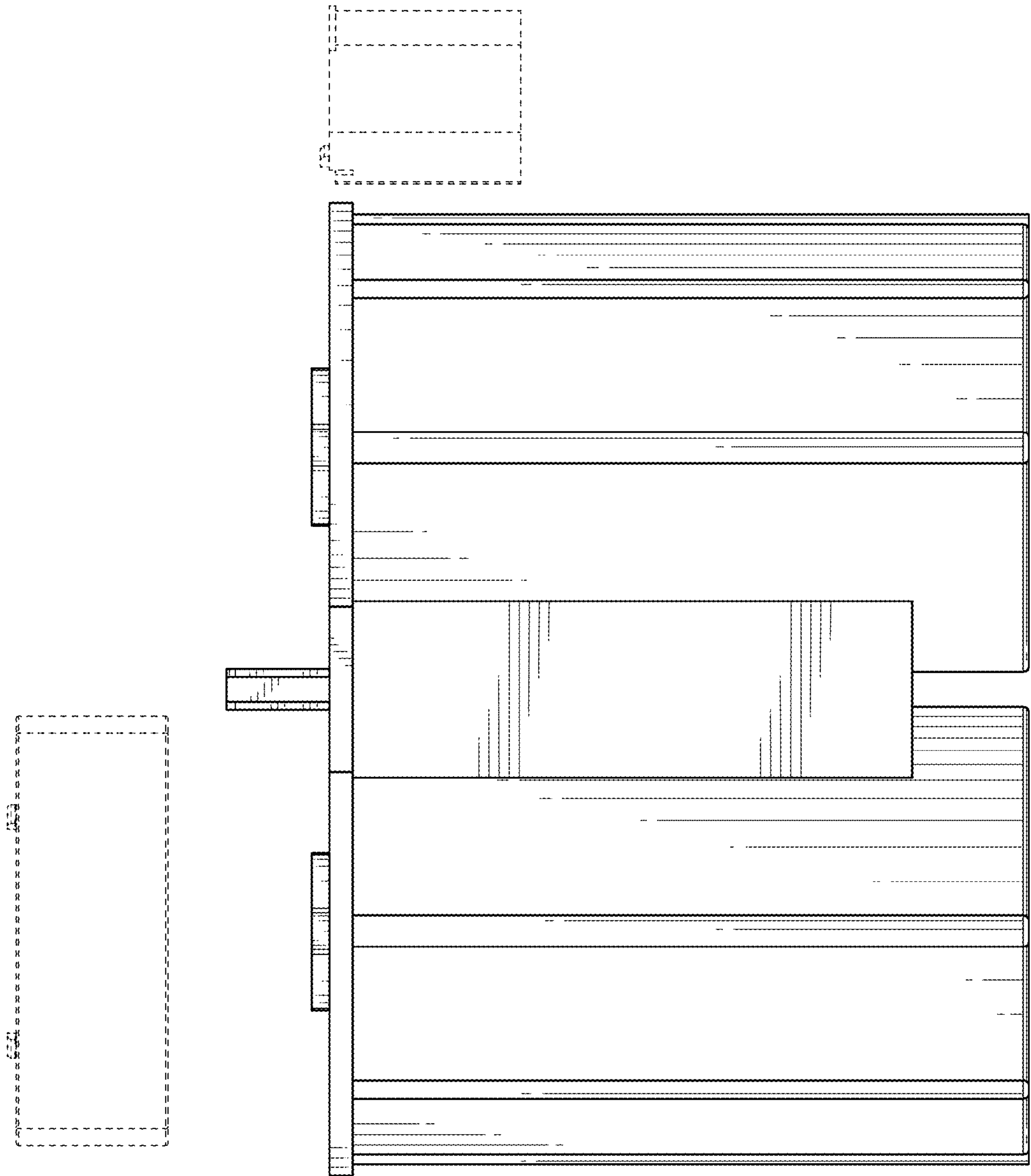


FIG. 3

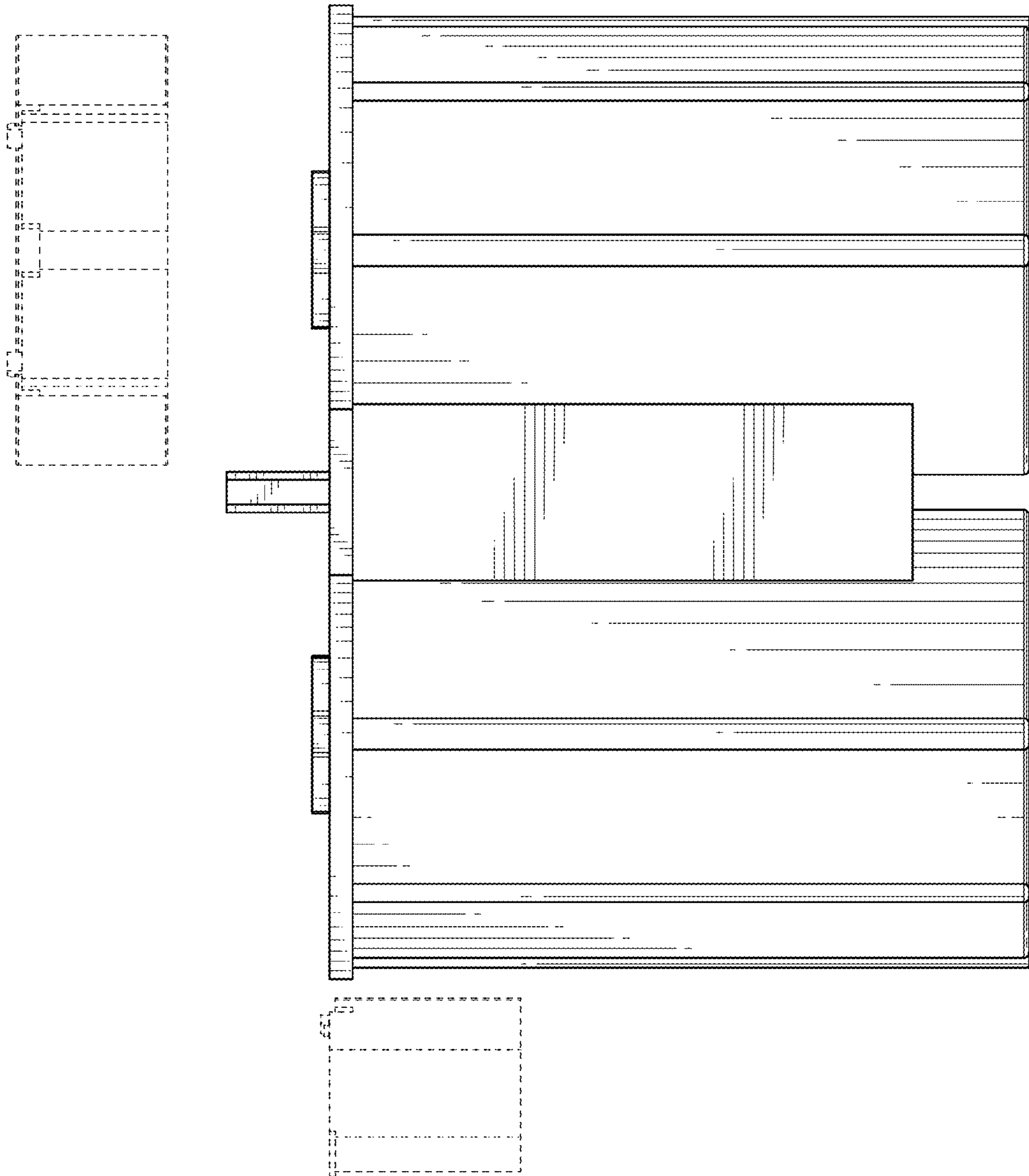


FIG. 4

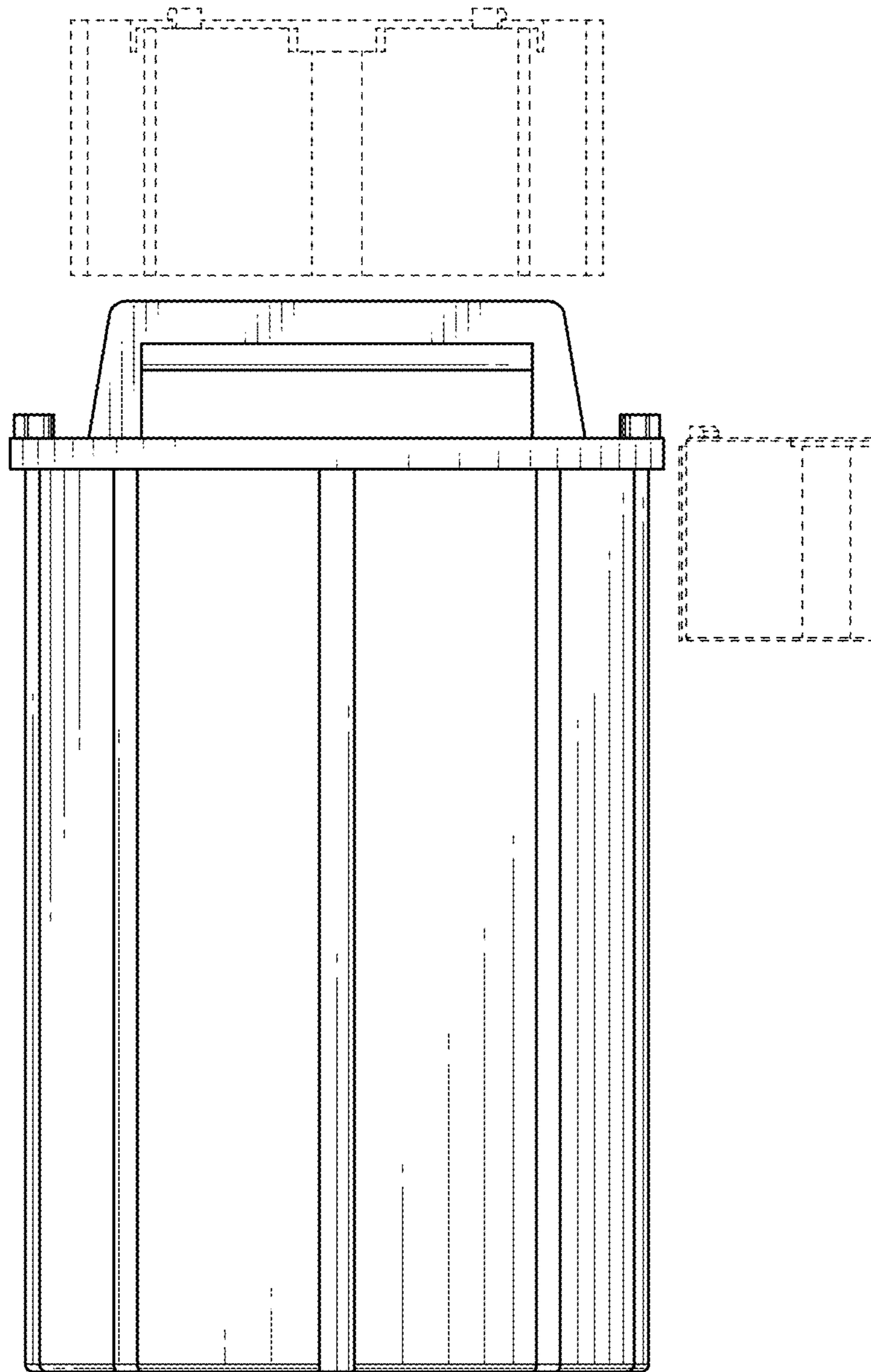


FIG. 5

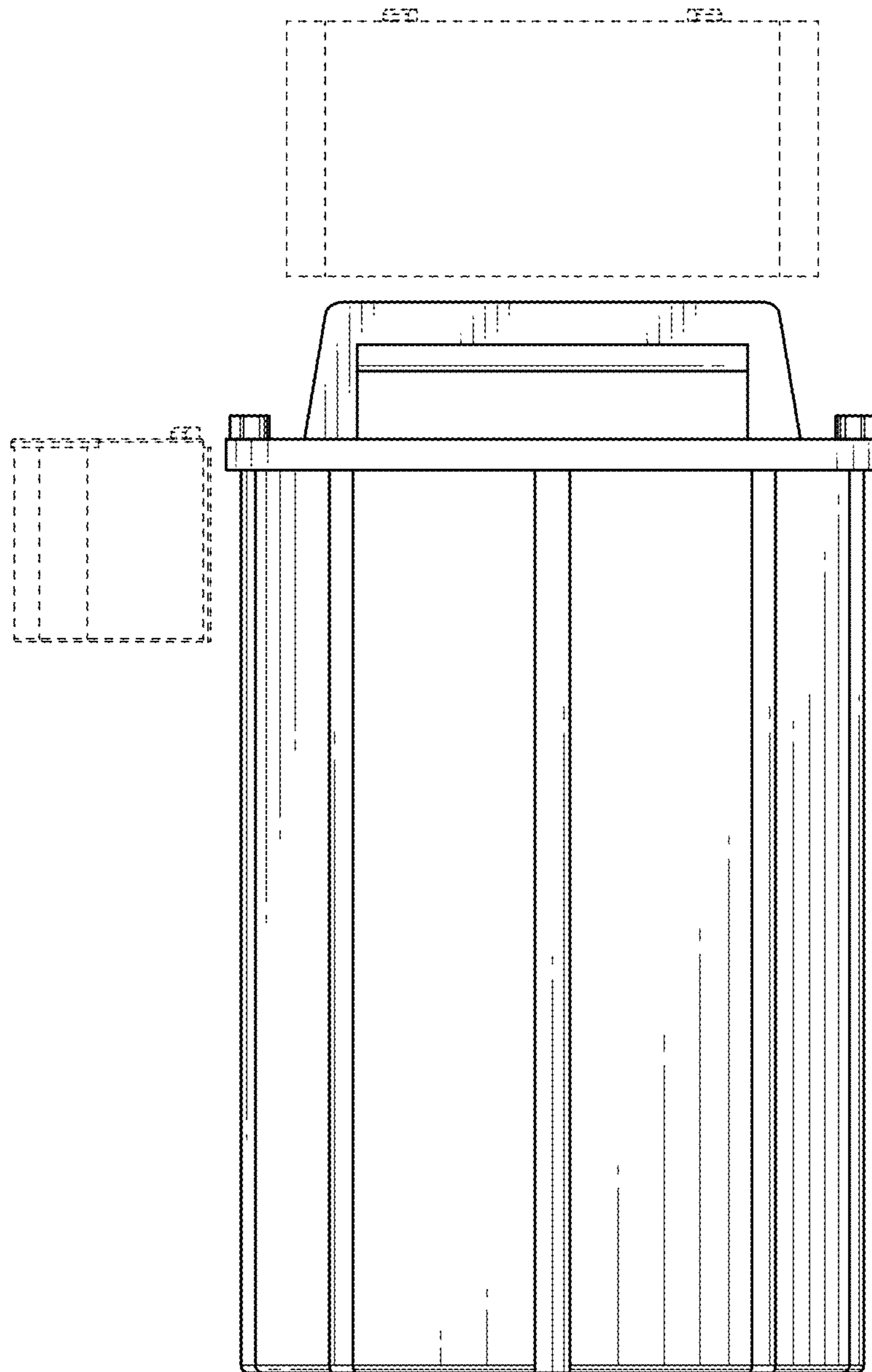


FIG. 6



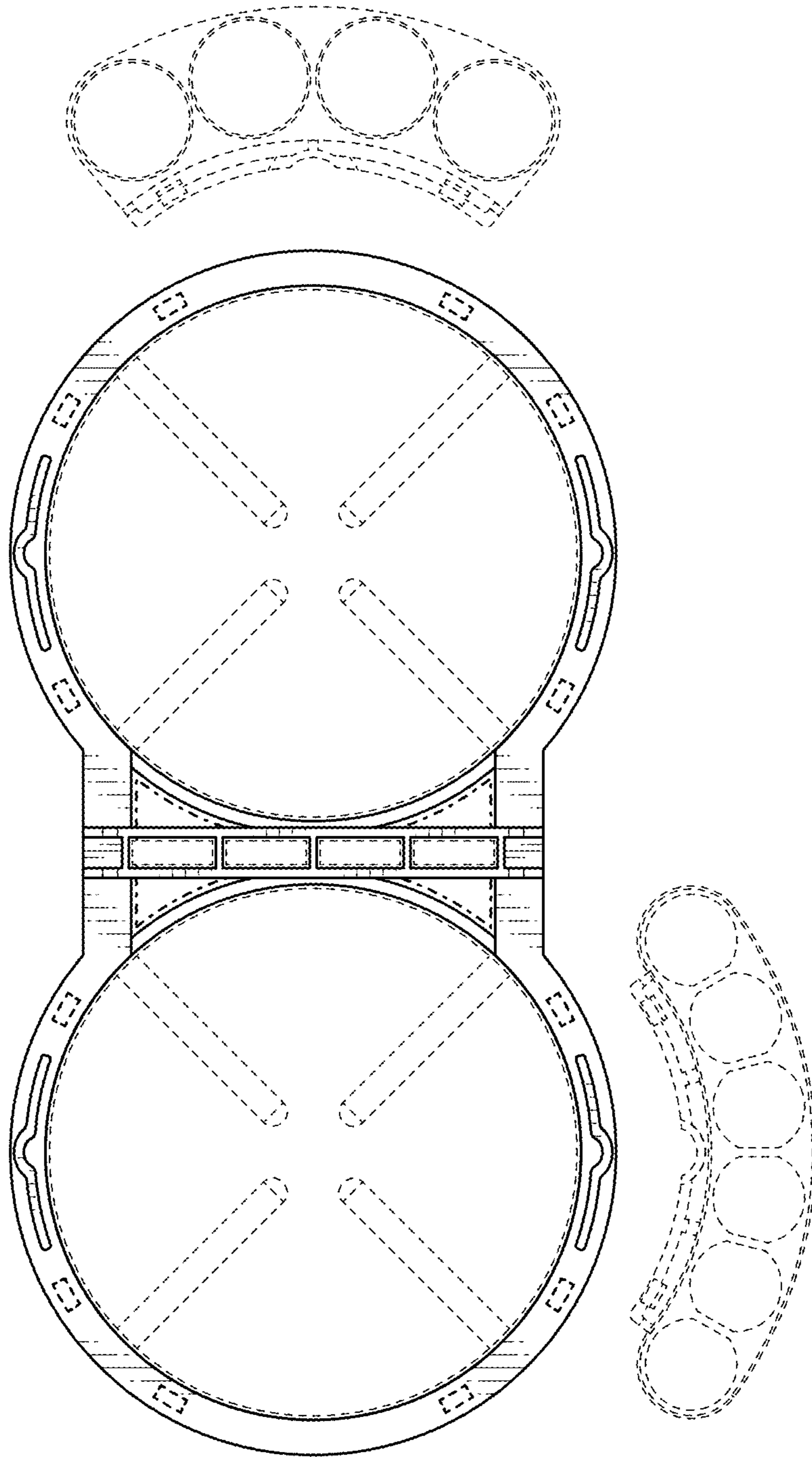


FIG. 7

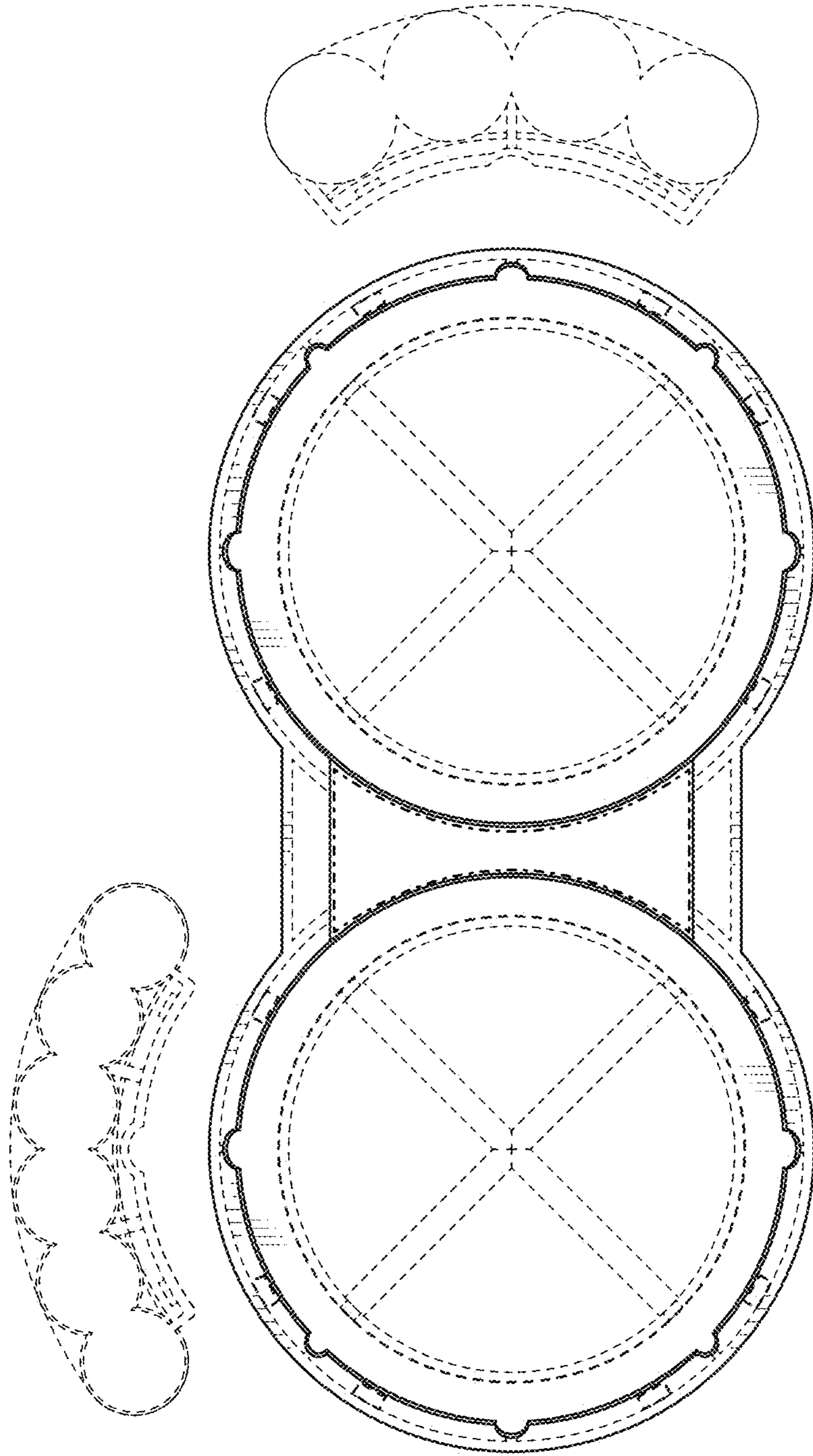


FIG. 8