



US00D888983S

(12) **United States Design Patent** (10) **Patent No.:** **US D888,983 S**  
**Hinojosa et al.** (45) **Date of Patent:** **\*\* Jun. 30, 2020**

(54) **PERFUSION MODULE LID WITHOUT PORTS**

(71) Applicant: **Emulate, Inc.**, Boston, MA (US)

(72) Inventors: **Christopher David Hinojosa**, Cambridge, MA (US); **Joshua Gomes**, Somerville, MA (US)

(73) Assignee: **EMULATE, Inc.**, Boston, MA (US)

(\*\*) Term: **15 Years**

(21) Appl. No.: **29/701,966**

(22) Filed: **Aug. 15, 2019**

**Related U.S. Application Data**

(63) Continuation of application No. 29/570,865, filed on Jul. 12, 2016, now Pat. No. Des. 860,471.

(51) **LOC (12) Cl.** ..... **24-02**

(52) **U.S. Cl.**  
USPC ..... **D24/224**

(58) **Field of Classification Search**  
USPC ..... D24/107, 108, 113, 114, 121, 133, 184, D24/186, 216, 222, 224, 225, 226, 227, D24/228, 229, 230, 231, 233  
CPC ..... B01F 13/0025; B01J 2219/00292; B01J 2220/64; B01L 3/14; B01L 3/508-50825; B01L 3/52-523

See application file for complete search history.

(56) **References Cited**

**U.S. PATENT DOCUMENTS**

D706,447 S \* 6/2014 Brossette ..... D24/227  
D735,343 S \* 7/2015 Dorsey ..... D24/186

D771,833 S \* 11/2016 Leaver ..... D24/224  
D772,427 S \* 11/2016 Leaver ..... D24/224  
D777,902 S \* 1/2017 Souney ..... D24/107  
D783,604 S \* 4/2017 Wesolek ..... D14/341  
D803,173 S \* 11/2017 Levner ..... D13/199  
D803,416 S \* 11/2017 Leaver ..... D24/224  
10,335,788 B2 \* 7/2019 Levner ..... C12M 29/10  
2002/0127740 A1 \* 9/2002 Ho ..... C12Q 1/6837  
436/518  
2017/0055522 A1 \* 3/2017 Levner ..... C12M 35/04  
2018/0016537 A1 \* 1/2018 Levner ..... B01L 3/502715

\* cited by examiner

*Primary Examiner* — Vy N Koenig

(74) *Attorney, Agent, or Firm* — Medlen & Carroll, LLP

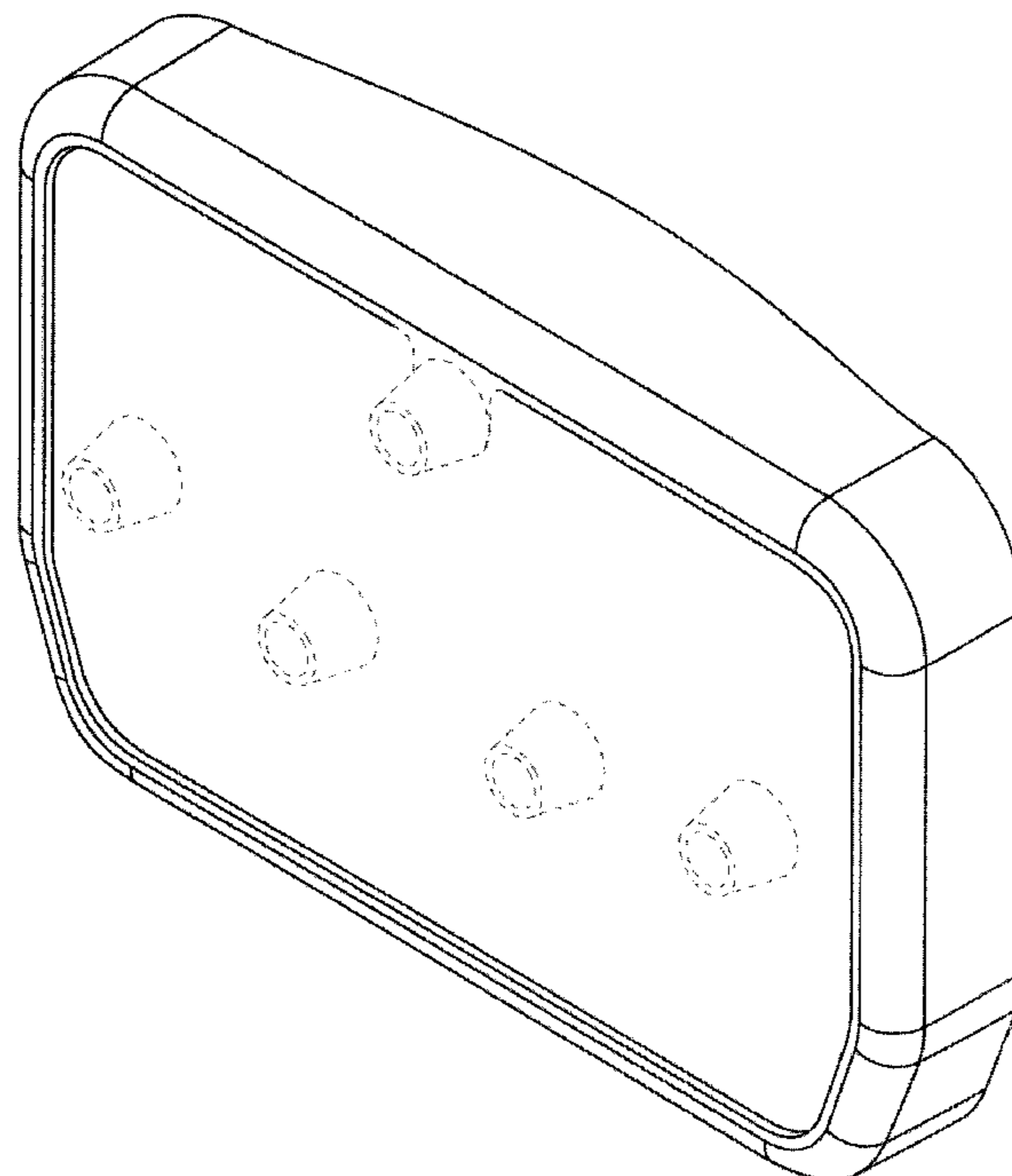
(57) **CLAIM**

The ornamental design for a perfusion module lid without ports, as shown and described.

**DESCRIPTION**

FIG. 1 is a top plan view of a perfusion module lid showing the new design.  
FIG. 2 is a bottom plan view thereof.  
FIG. 3 is a left side elevational view thereof.  
FIG. 4 is a right side elevational view thereof.  
FIG. 5 is a front side elevational view thereof.  
FIG. 6 is a rear side elevational view thereof; and,  
FIG. 7 is a top elevational view thereof.  
The broken lines in the drawings depict portions of the perfusion module lid, specifically five ports, that form no part of the claimed design.

**1 Claim, 7 Drawing Sheets**



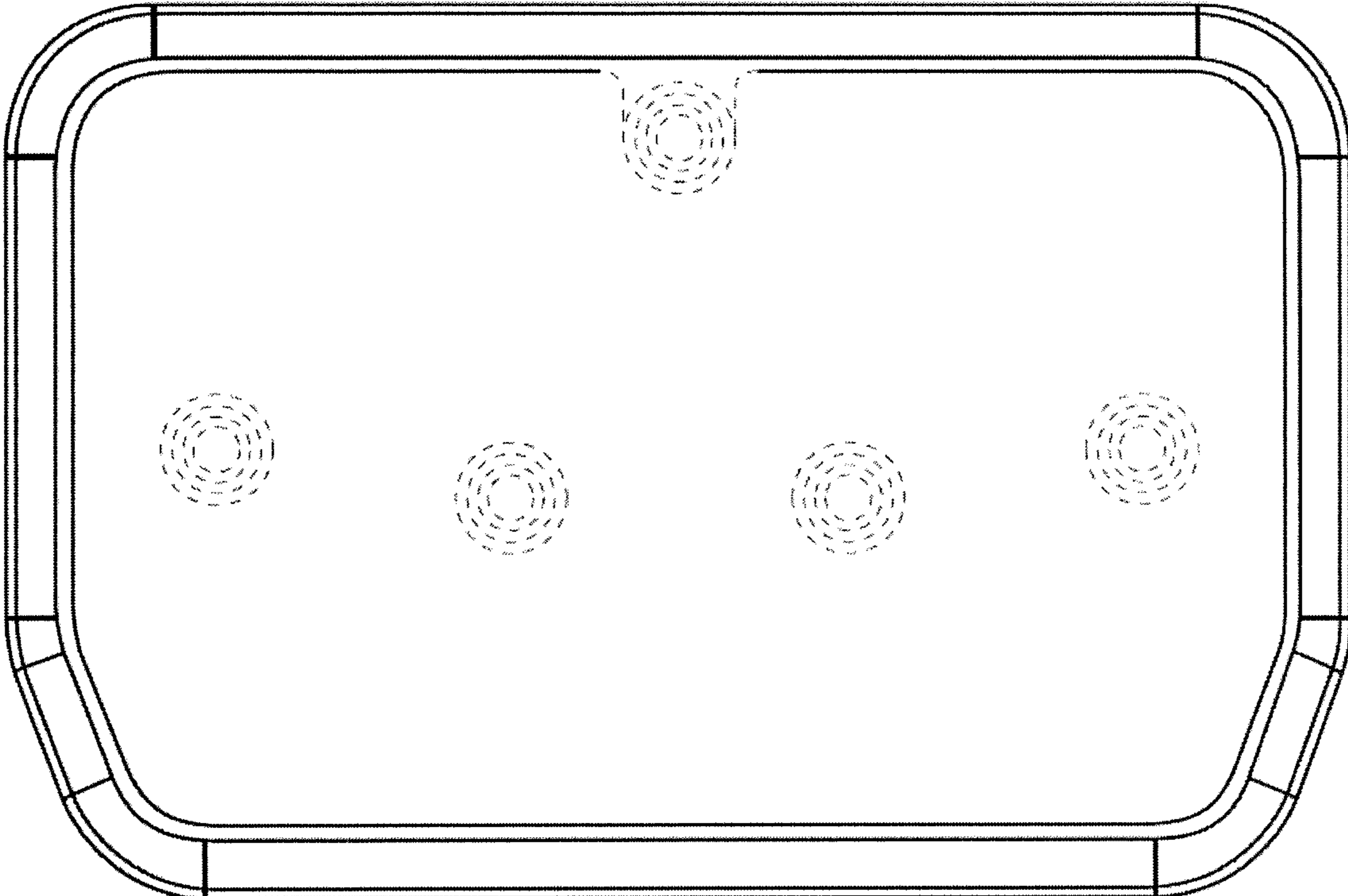


Figure 1

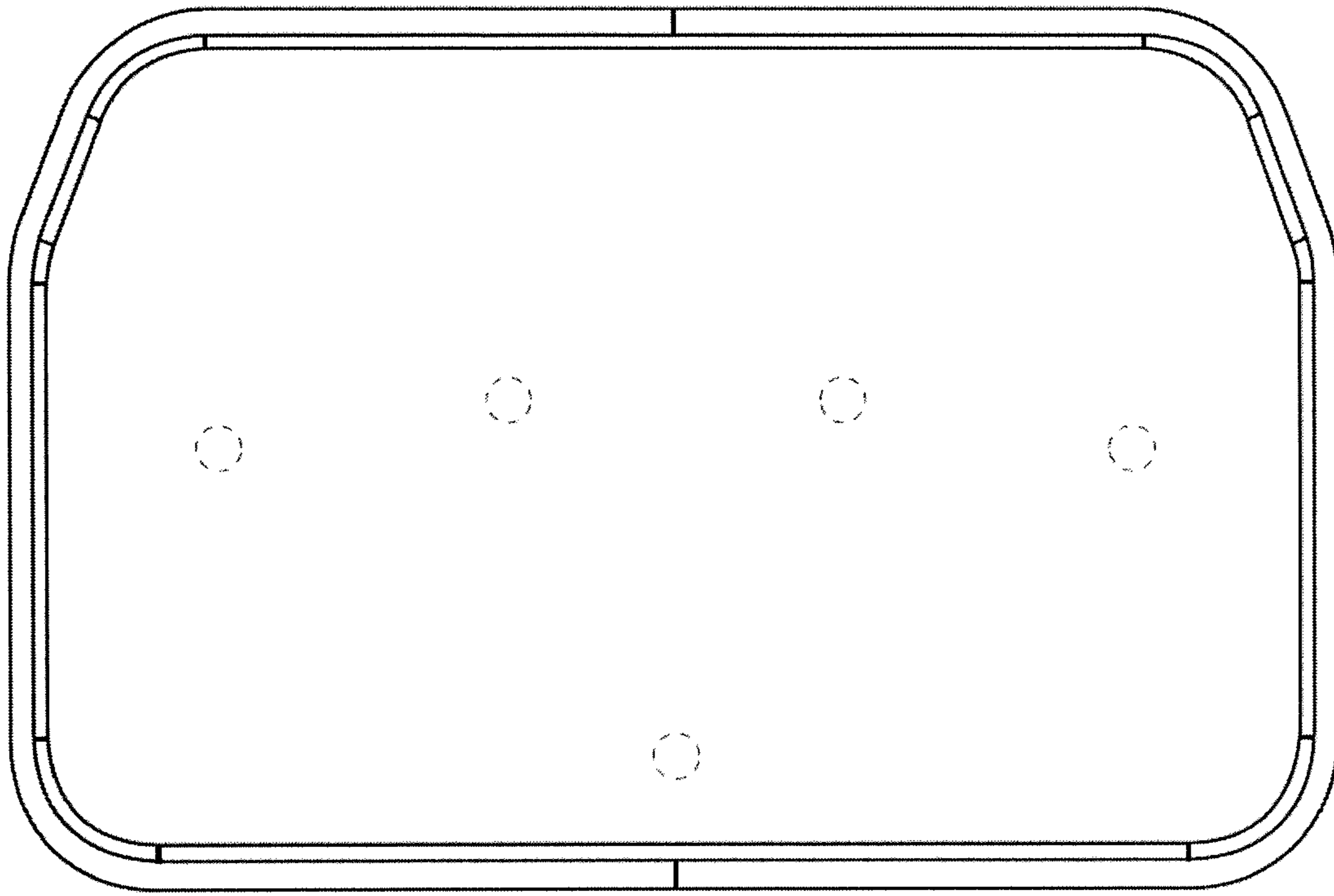


Figure 2

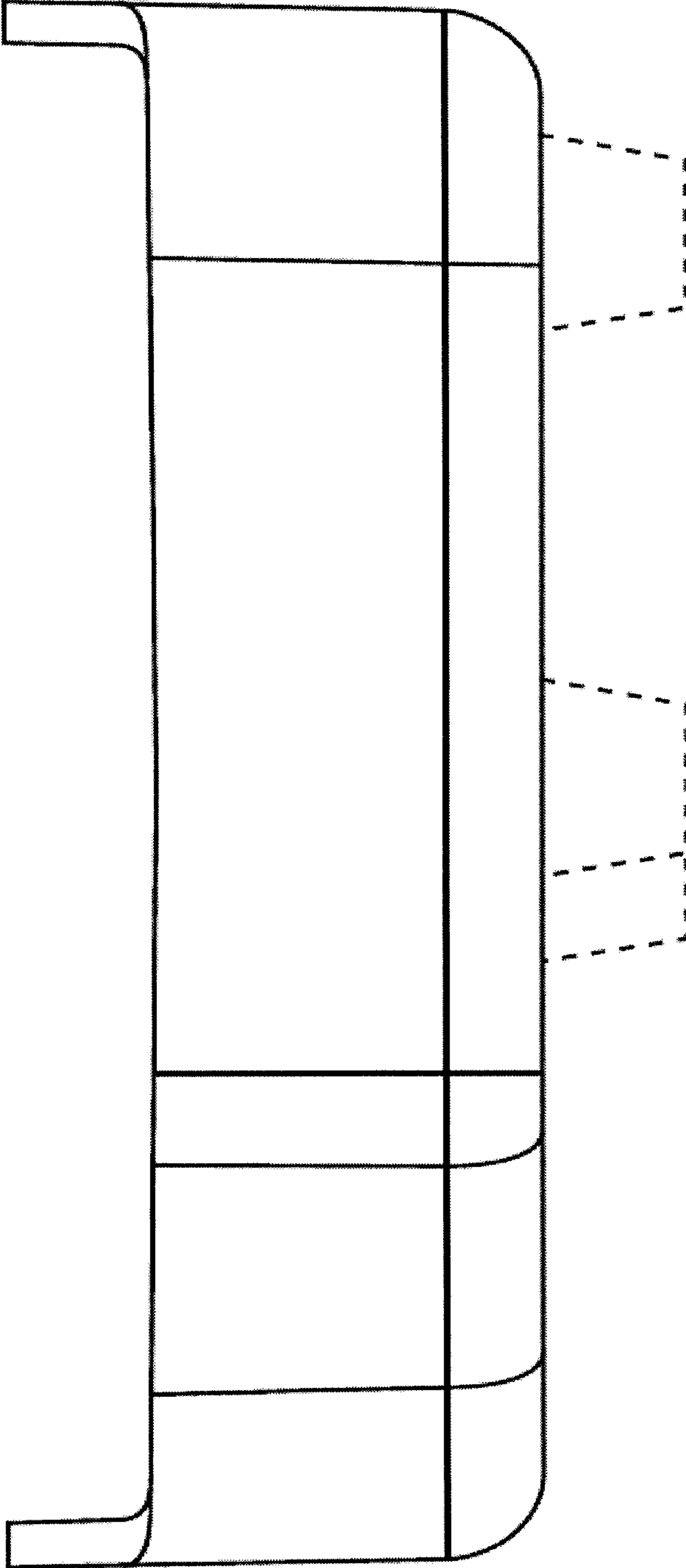


Figure 3

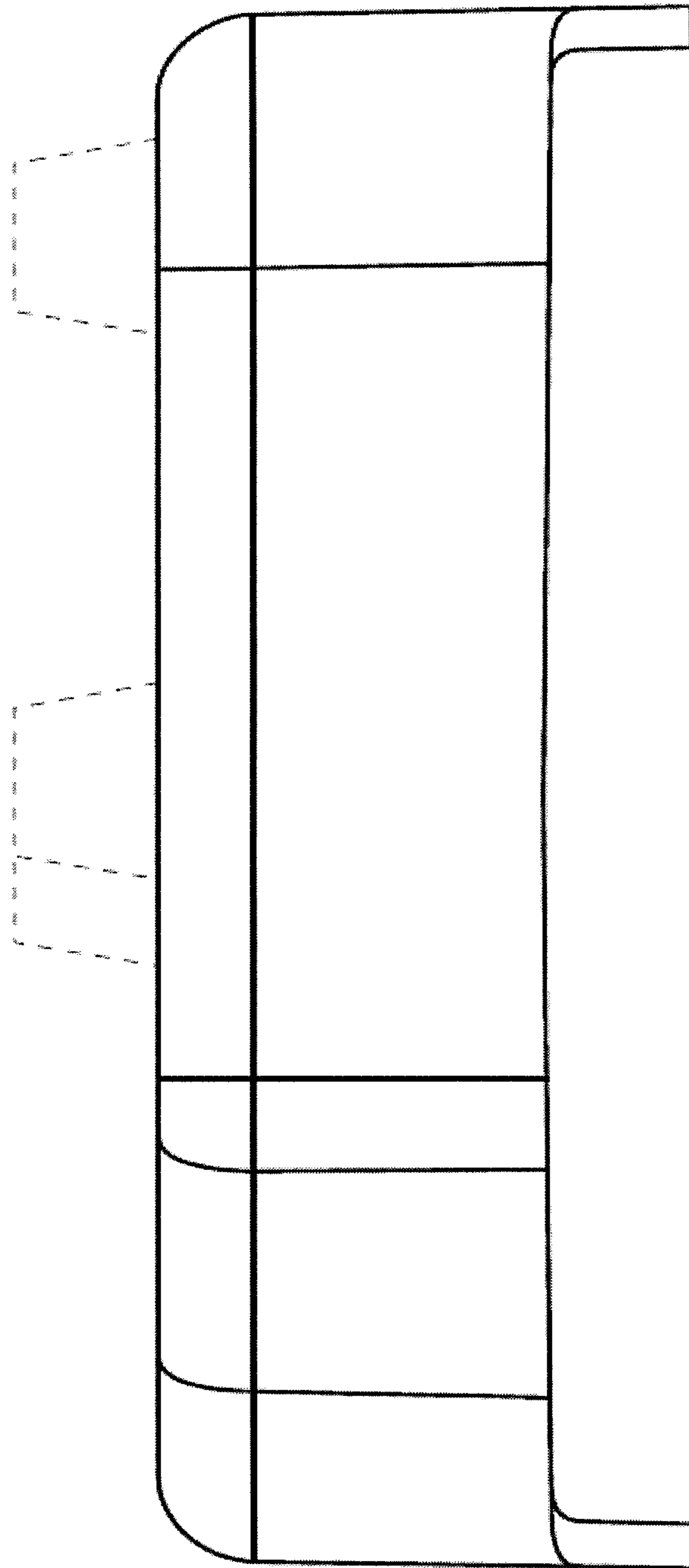


Figure 4

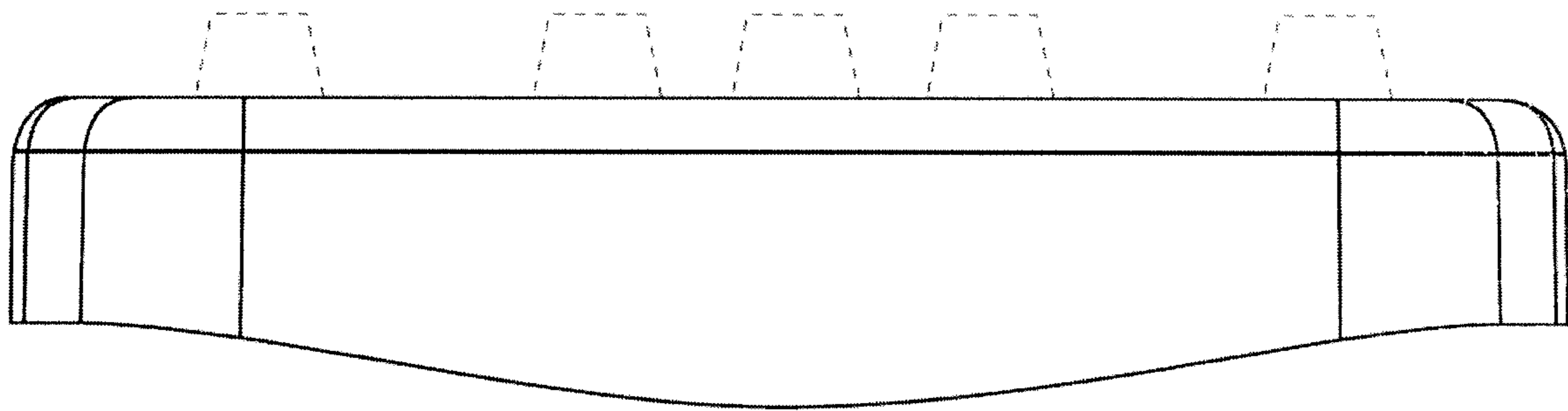


Figure 5

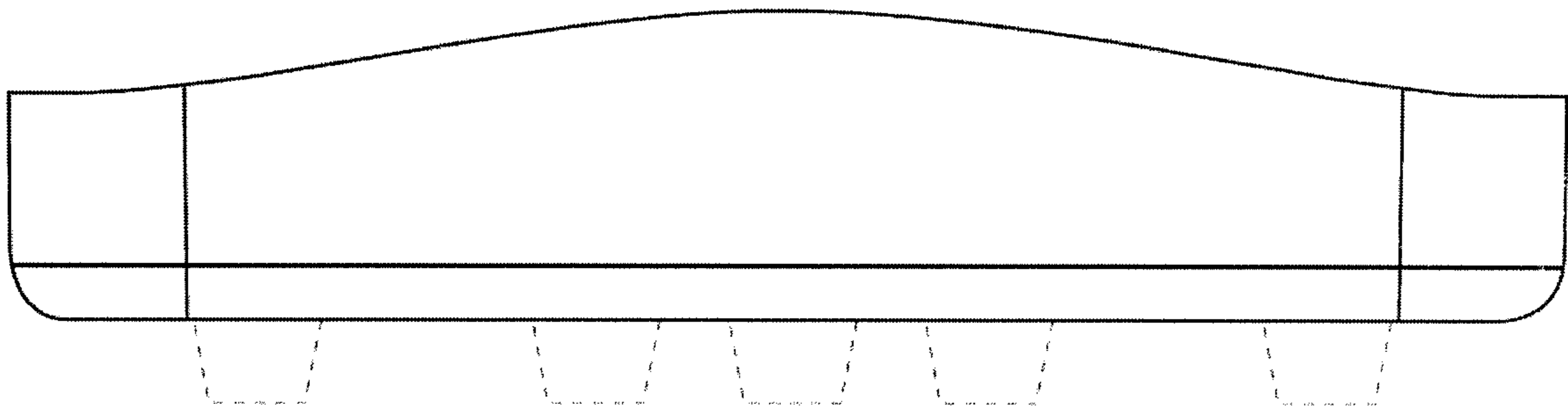


Figure 6

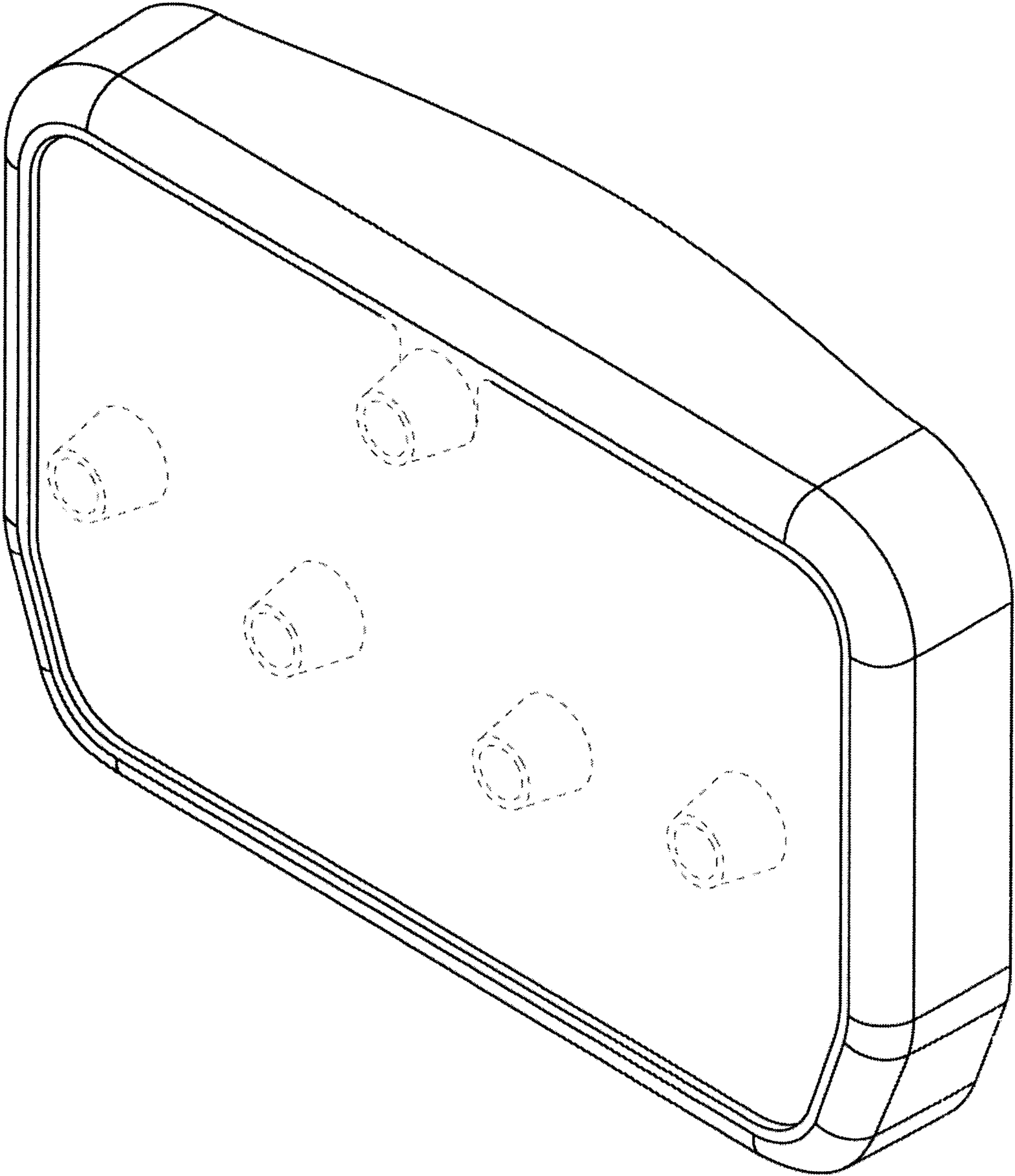


Figure 7