



US00D888982S

(12) **United States Design Patent**
Chang

(10) **Patent No.:** **US D888,982 S**
(45) **Date of Patent:** **** Jun. 30, 2020**

(54) **MULTIPLEX SLIDE PLATE DEVICE**

FOREIGN PATENT DOCUMENTS

(71) Applicant: **Quark Biosciences Taiwan, Inc.**,
Hsinchu County (TW)

JP D2018-2808 * 2/2018

(72) Inventor: **Chia-Hao Chang**, Hsinchu County
(TW)

OTHER PUBLICATIONS

(73) Assignee: **Quark Biosciences Taiwan, Inc.**,
Hsinchu County (TW)

PanelChip® Analysis System—Simple, Lovable, Complete! | Quark Biosciences, Inc. Online, published date Mar. 15, 2020. Retrieved on Apr. 29, 2020 from URL: https://www.youtube.com/watch?v=zBsQ7jEb9r8&feature=emb_logo.*

(**) Term: **15 Years**

* cited by examiner

(21) Appl. No.: **29/678,253**

Primary Examiner — Susan Bennett Hattan

(22) Filed: **Jan. 28, 2019**

Assistant Examiner — Omeed Agilee

(51) **LOC (12) Cl.** **24-02**

(74) *Attorney, Agent, or Firm* — JCIPRNET

(52) **U.S. Cl.**
USPC **D24/224; D24/227**

(57) **CLAIM**

(58) **Field of Classification Search**
USPC D24/107, 216, 224, 225, 227, 229
CPC B01L 3/50851; B01L 9/523; G01N 1/312
See application file for complete search history.

The ornamental design for a multiplex slide plate device, as shown and described.

DESCRIPTION

(56) **References Cited**

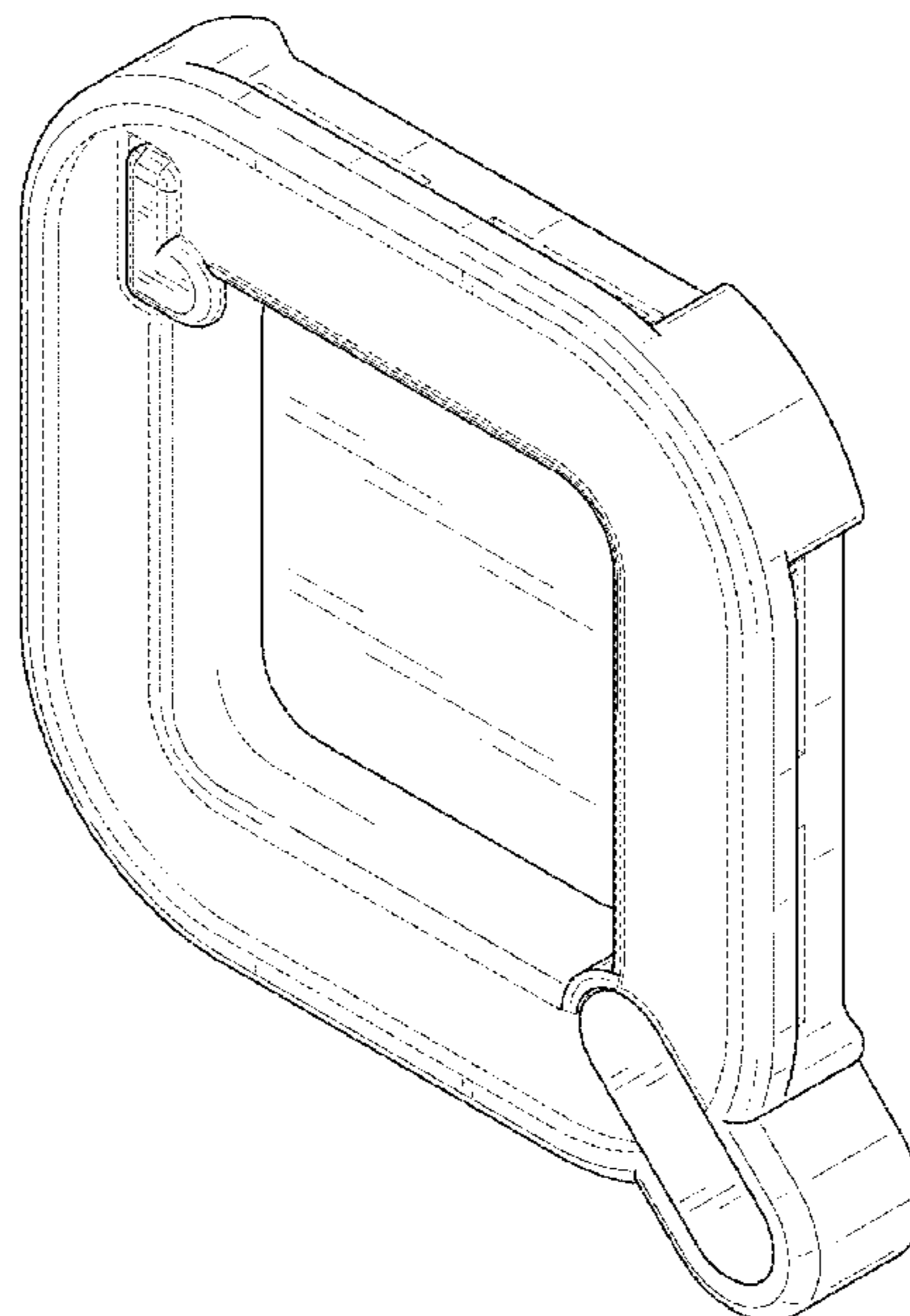
FIG. 1 is a perspective view of a multiplex slide plate device showing my new design;
FIG. 2 is another perspective view thereof;
FIG. 3 is a front view thereof;
FIG. 4 is a rear view thereof;
FIG. 5 is a left side view thereof;
FIG. 6 is a right side view thereof;
FIG. 7 is a top view thereof; and,
FIG. 8 is a bottom view thereof.

U.S. PATENT DOCUMENTS

D300,245 S *	3/1989	Navarro	D24/229
D602,599 S *	10/2009	Xiaowei	D24/225
8,303,902 B2 *	11/2012	Kim	B01L 7/00
				206/456
D699,369 S *	2/2014	Fonseca	D24/224
D722,385 S *	2/2015	Fonseca	D24/224
D799,057 S *	10/2017	Shanafelter	D24/227
D799,058 S *	10/2017	Kennedy	D24/227
D806,890 S *	1/2018	Williams	D24/216
D854,184 S *	7/2019	Ito	D24/225
D855,205 S *	7/2019	Ito	D24/225
D870,309 S *	12/2019	Malyarov	D24/216
2016/0251701 A1 *	9/2016	Chiou	C12Q 2565/629
				506/9
2019/0126271 A1 *	5/2019	Wei	B01L 3/50851

The broken lines immediately adjacent to the shaded areas that define unshaded regions depict the bounds of the claimed design and form no part thereof. The broken lines that are shown within the broken line boundaries depict portions of the multiplex slide plate device that form no part of the claimed design.

1 Claim, 6 Drawing Sheets



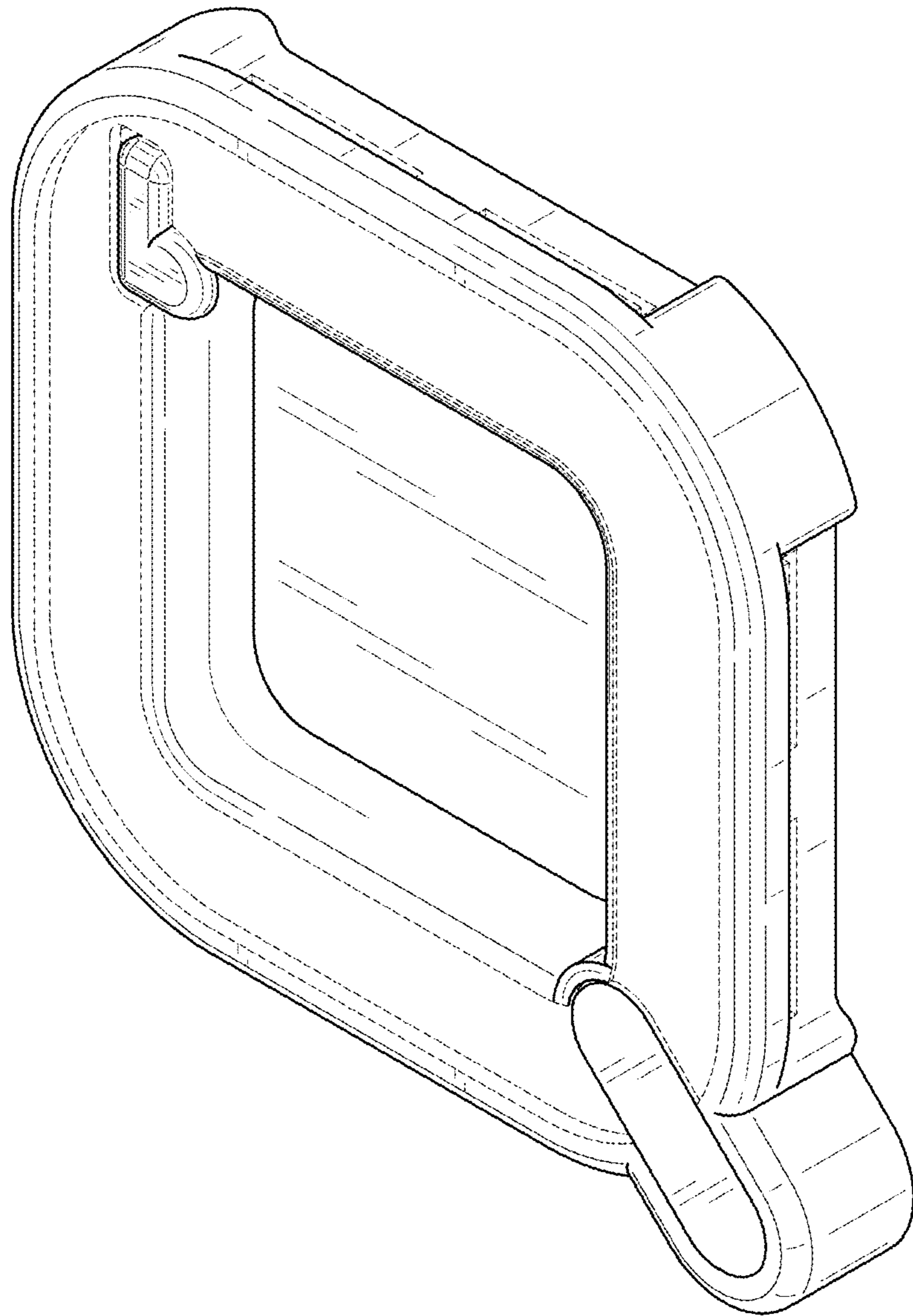


FIG. 1

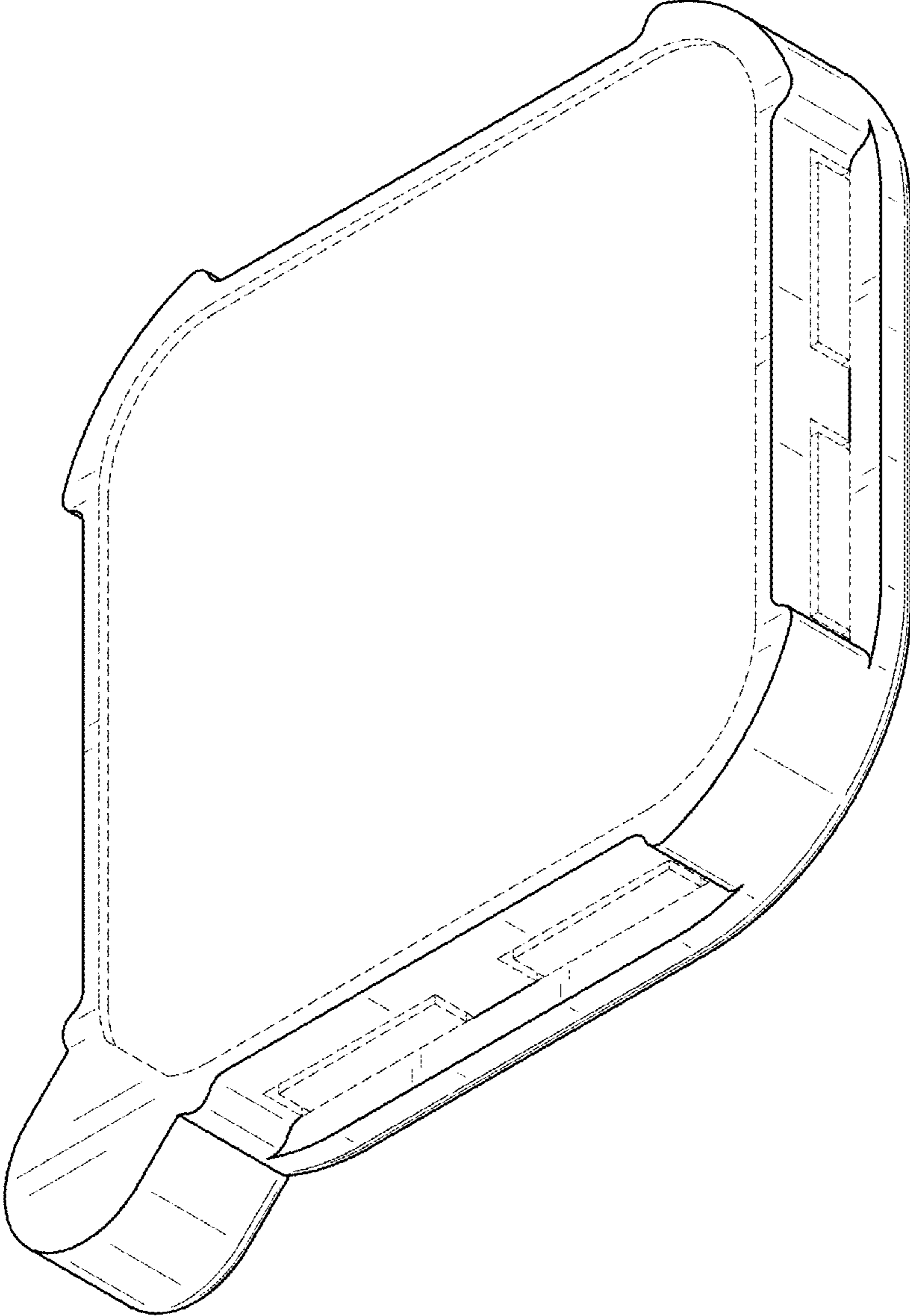


FIG. 2

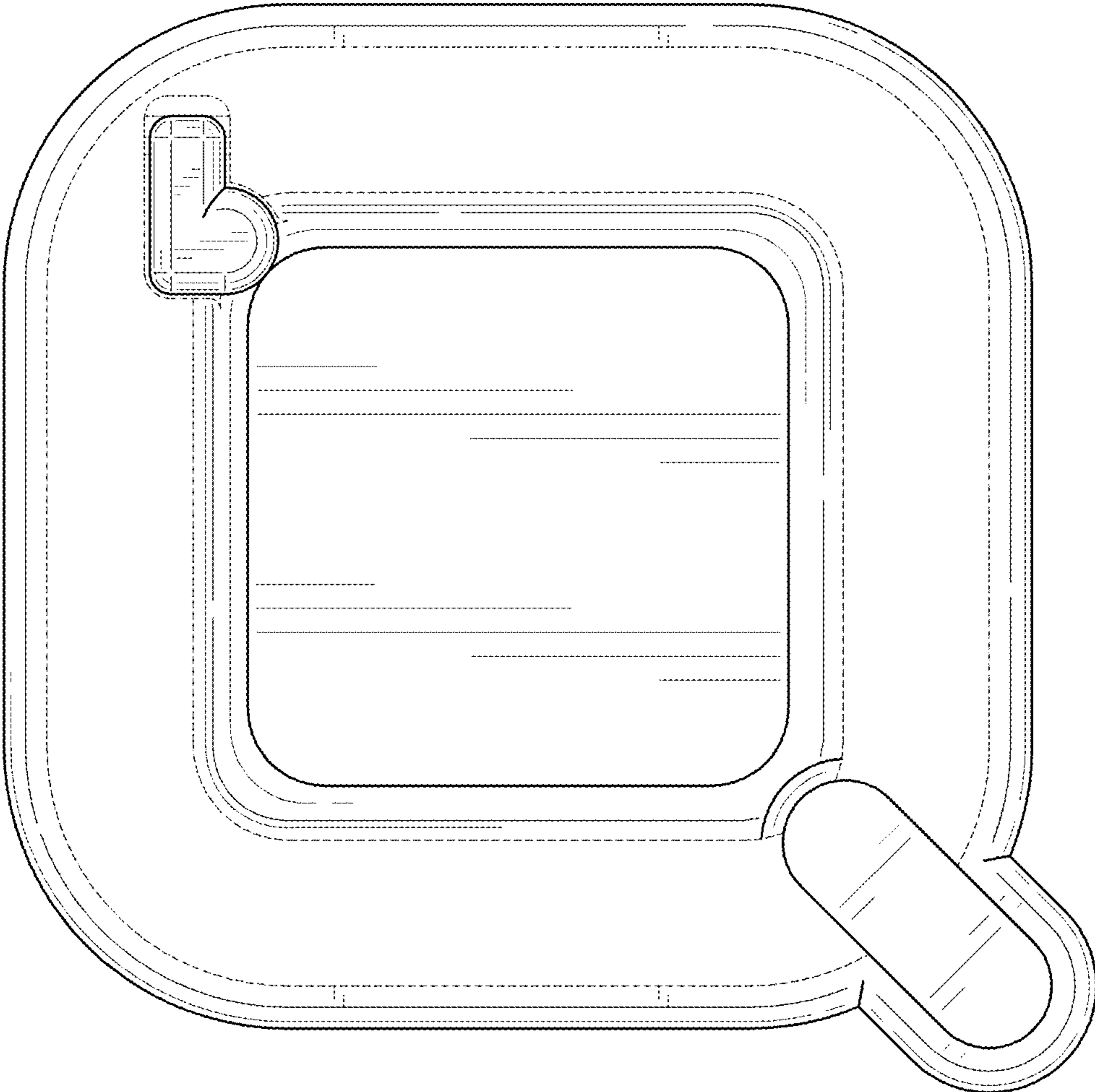


FIG. 3

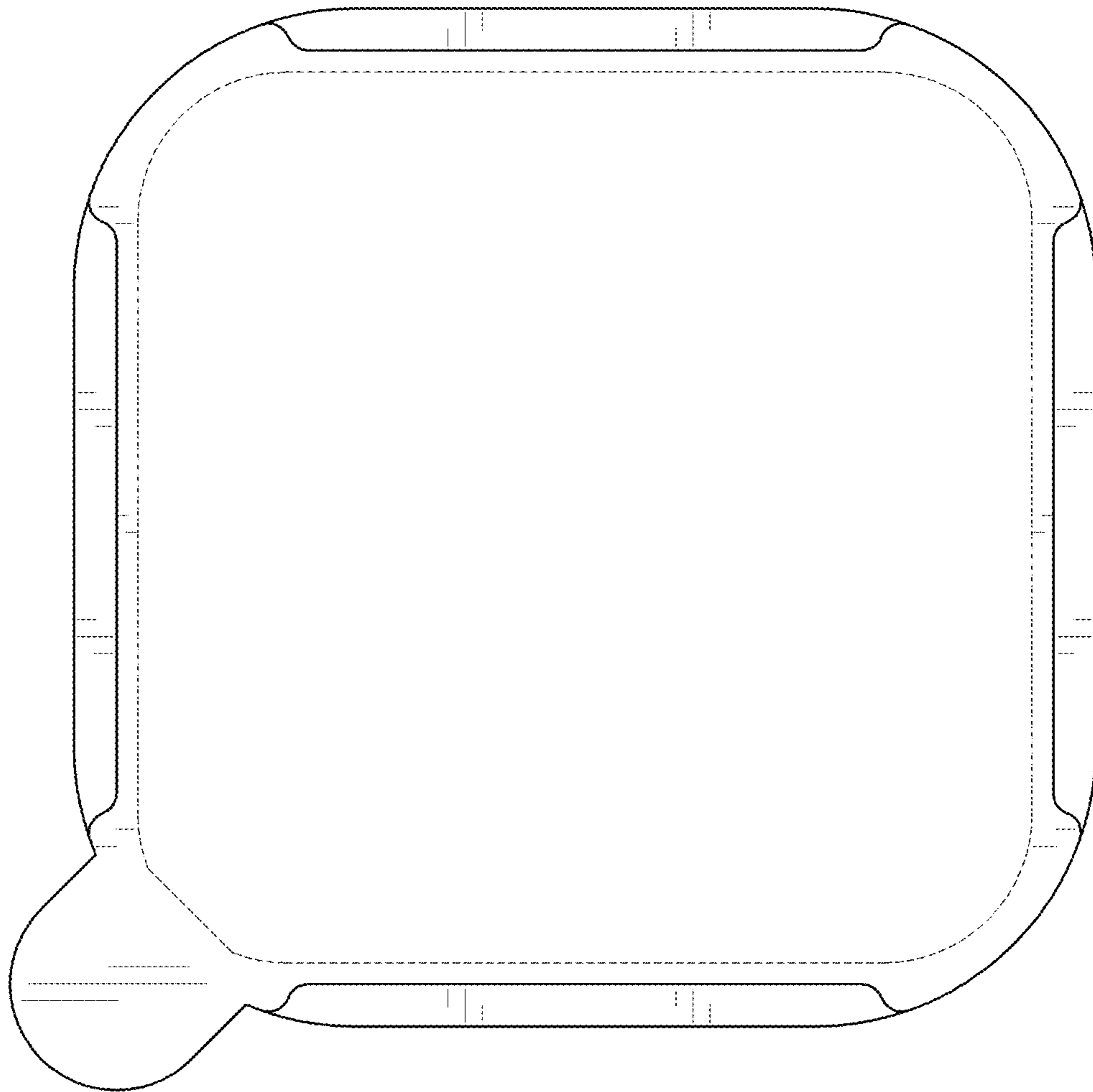


FIG. 4

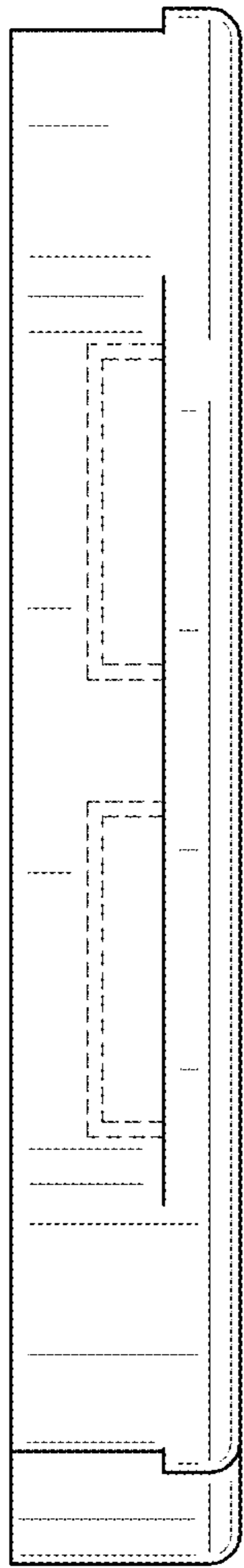


FIG. 5

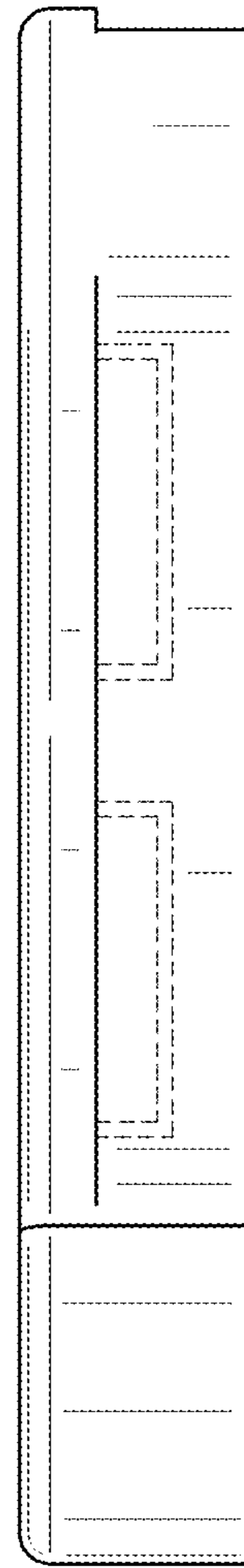


FIG. 6

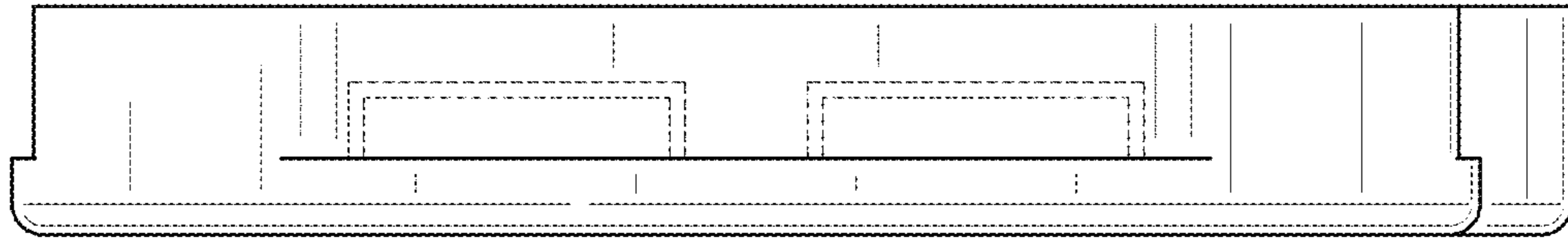


FIG. 7

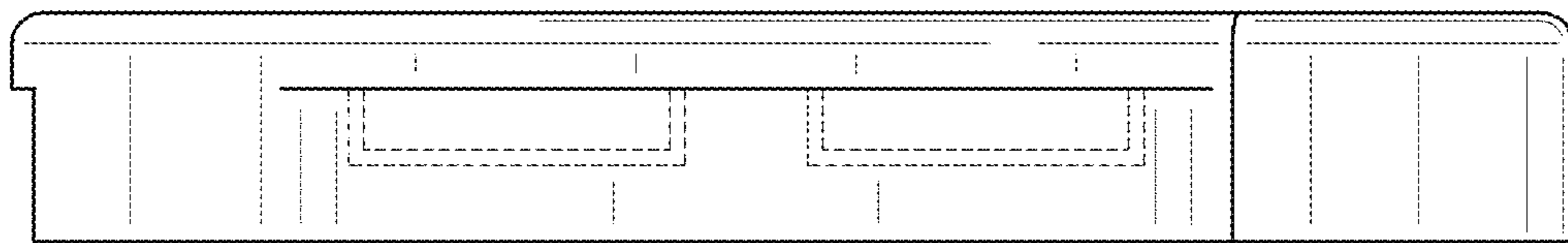


FIG. 8