



US00D888978S

(12) **United States Design Patent**  
**Daniels**

(10) **Patent No.:** **US D888,978 S**

(45) **Date of Patent:** **\*\* Jun. 30, 2020**

(54) **THERMAL PACK HOLDING STRAP**

(71) Applicant: **Eddie Daniels**, Willow Spring, NC  
(US)

(72) Inventor: **Eddie Daniels**, Willow Spring, NC  
(US)

(\*\*) Term: **15 Years**

(21) Appl. No.: **29/664,393**

(22) Filed: **Sep. 25, 2018**

(51) **LOC (12) Cl.** ..... **24-04**

(52) **U.S. Cl.**  
USPC ..... **D24/206**

(58) **Field of Classification Search**  
USPC ..... D24/206-208, 200, 189-192; 607/96,  
607/108, 109, 111-112, 114  
CPC ..... A61F 7/00; A61F 7/03; A61F 7/10; A61F  
7/103; A61F 7/086; A61F 2007/105;  
A61F 2007/0001; A61F 2007/0009; A61F  
2007/0029; A61F 2007/0031; A61F  
2007/0032; A61F 2007/0034; A61F  
2007/0035; A61F 2007/0039; A61F  
2007/0041; A61F 2007/0043; A61F  
2007/0226; A61F 2007/0228

See application file for complete search history.

(56) **References Cited**

U.S. PATENT DOCUMENTS

4,204,543	A *	5/1980	Henderson	.....	A61F 7/10 2/171.2
5,005,374	A *	4/1991	Spitler	.....	A61F 7/10 2/171.2
D328,792	S *	8/1992	Salmon	.....	D24/206

5,466,251	A	11/1995	Brunson	
D453,043	S *	1/2002	Hart	..... D24/206
6,582,383	B2 *	6/2003	Horning	..... A61F 7/10 602/60
6,936,018	B2	8/2005	Chalek	
D539,912	S *	4/2007	Jacobs	..... D24/206
7,264,630	B1	9/2007	Webb	
D641,488	S *	7/2011	Mori	..... D24/206
D671,225	S *	11/2012	Higley	..... D24/206
D702,850	S	4/2014	Yockel	
8,771,331	B2	7/2014	Geibel	
D827,844	S *	9/2018	Lucas	..... D24/207
2011/0093050	A1	4/2011	Damkoehler	

\* cited by examiner

*Primary Examiner* — Wan Laymon

(57) **CLAIM**

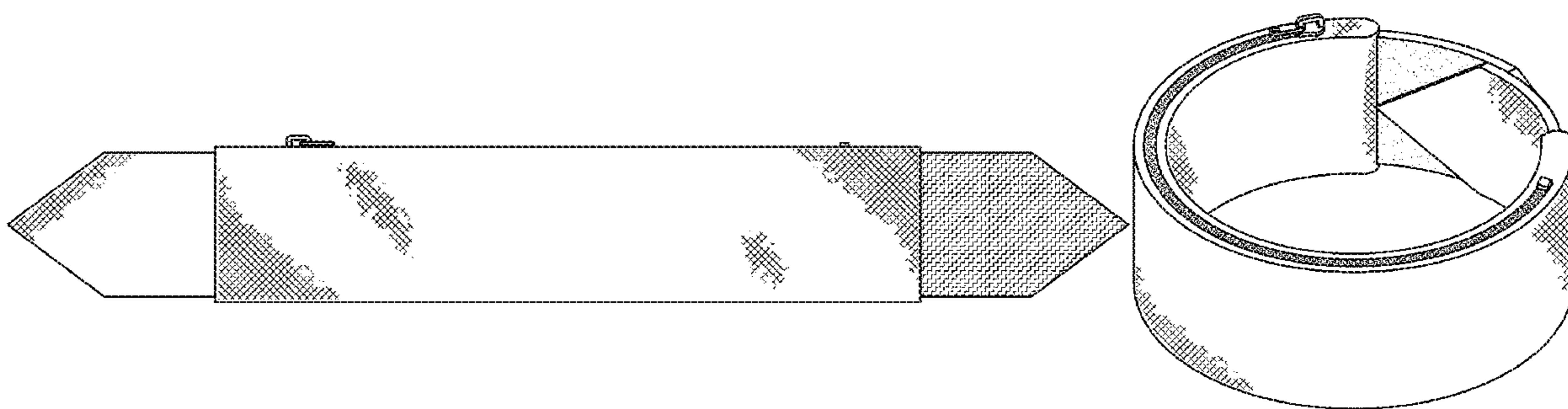
The ornamental design for a thermal pack holding strap, as shown and described.

**DESCRIPTION**

FIG. 1 is a front view of a thermal pack holding strap showing my new design;  
FIG. 2 is a rear view of the thermal pack holding strap;  
FIG. 3 is a right side view of the thermal pack holding strap;  
FIG. 4 is a left side view of the thermal pack holding strap;  
FIG. 5 is a top view of the thermal pack holding strap;  
FIG. 6 is a bottom view of the thermal pack holding strap;  
FIG. 7 is a top front side perspective view of the thermal pack holding strap in an alternate position; and,  
FIG. 8 is a top front side perspective view of the thermal pack holding strap in use.

The broken lines in FIG. 8 are illustrative of environmental structures which form no part of the claimed design.

**1 Claim, 3 Drawing Sheets**



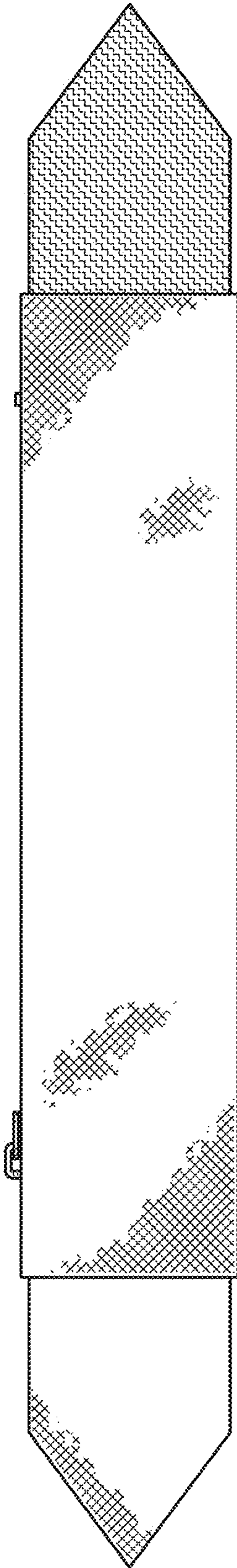


FIG. 1



FIG. 2

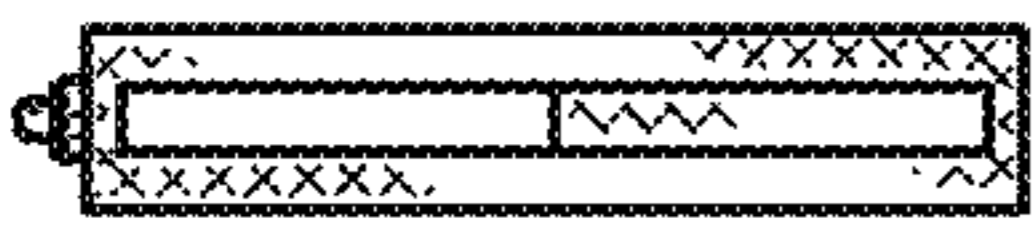


FIG. 3



FIG. 4



FIG. 5



FIG. 6



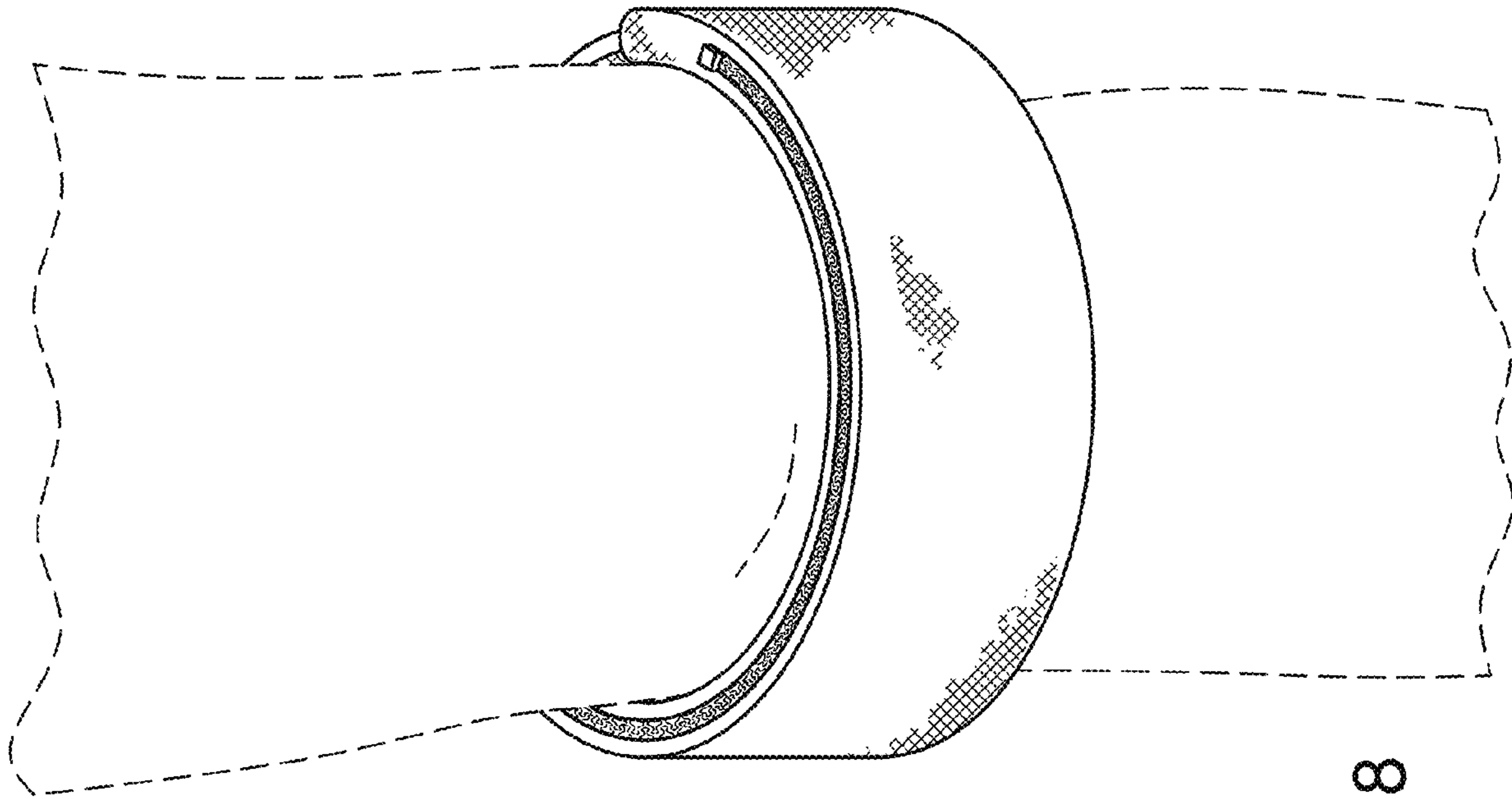


FIG. 8

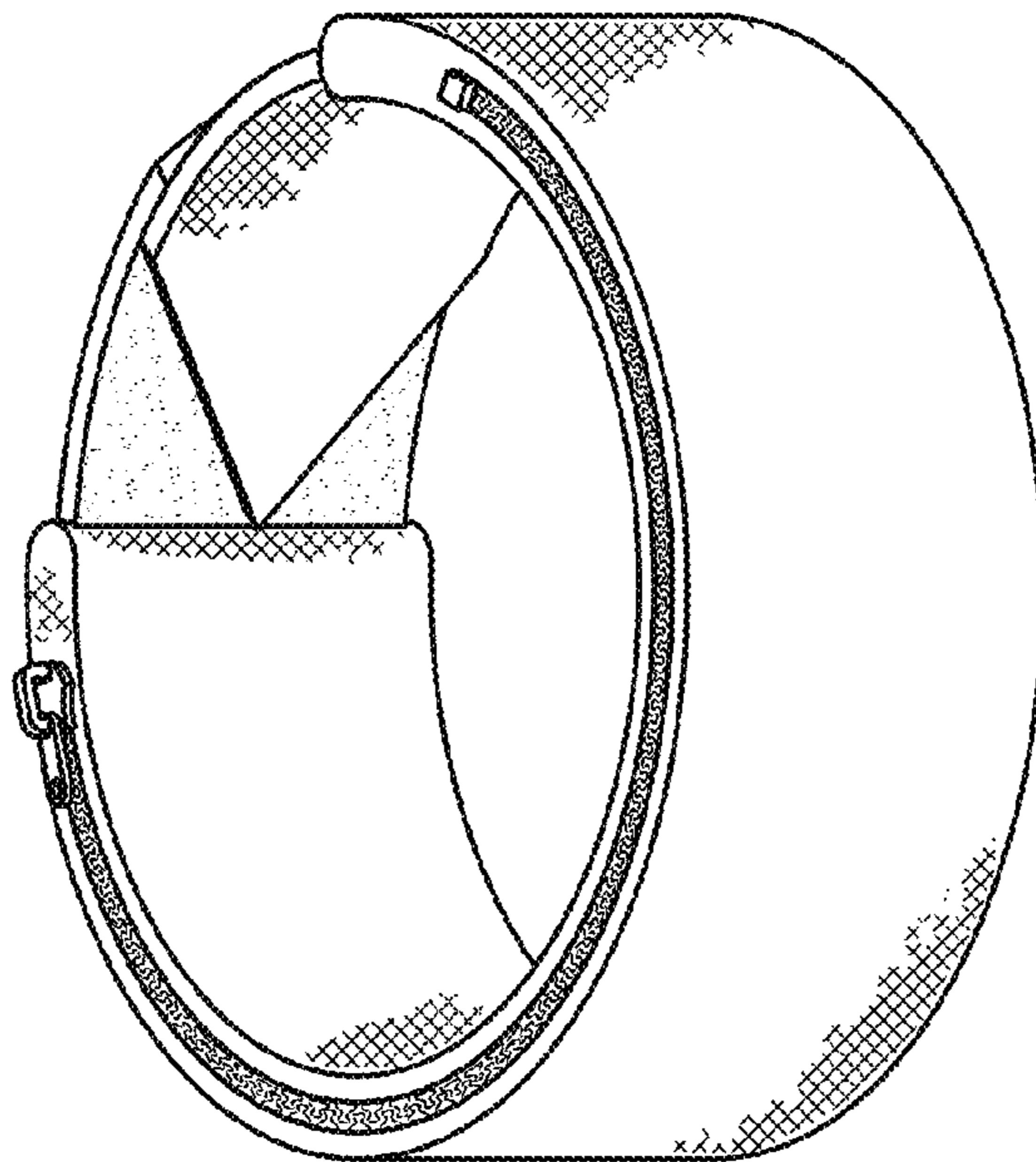


FIG. 7