



US00D888967S

(12) **United States Design Patent** (10) **Patent No.:** **US D888,967 S**  
**Grundlehner et al.** (45) **Date of Patent:** **\*\* Jun. 30, 2020**

(54) **ELECTROENCEPHALOGRAM HEADSET**

(71) Applicant: **Stichting IMEC Nederland**, AE  
Eindhoven (NL)

(72) Inventors: **Bernard Grundlehner**, AE Eindhoven  
(NL); **Shrishail Patki**, AE Eindhoven  
(NL); **Peter Cramer**, AE Eindhoven  
(NL); **Bastiaan Hemmes**, AE  
Eindhoven (NL)

(73) Assignee: **STICHTING IMEC NEDERLAND**,  
AE Eindhoven (NL)

(\*\*) Term: **15 Years**

(21) Appl. No.: **29/635,114**

(22) Filed: **Jan. 29, 2018**

(30) **Foreign Application Priority Data**

Jan. 16, 2018 (EM) ..... 004667509-0001

(51) **LOC (12) Cl.** ..... **24-02**

(52) **U.S. Cl.**  
USPC ..... **D24/187**

(58) **Field of Classification Search**  
USPC ..... D24/107, 110.1, 110.3, 168, 186, 187,  
D24/189, 190, 191, 200, 206, 215;  
D2/865, 866, 867, 878, 880, 881;  
D29/102, 103, 106; D13/182, 199  
CPC ..... A42B 1/04; A42B 1/041; A42B 1/043;  
A42B 1/045; A42B 1/201; A42B 1/24;  
A61B 5/6803

See application file for complete search history.

(56) **References Cited**

**U.S. PATENT DOCUMENTS**

3,482,867 A \* 12/1969 Allen ..... A47J 45/10  
220/758  
D372,099 S \* 7/1996 Troy ..... D24/190  
D445,181 S \* 7/2001 Kramer ..... D24/124

D560,809 S \* 1/2008 Causevic ..... D24/187  
D565,735 S \* 4/2008 Washbon ..... D24/187  
D594,127 S \* 6/2009 Causevic ..... D24/187  
D654,646 S \* 2/2012 Williams ..... D34/6  
D718,438 S \* 11/2014 Davis ..... D24/128  
9,204,745 B2 \* 12/2015 Bateman ..... A47G 23/0216  
D753,833 S \* 4/2016 Ruffini ..... D2/865  
D782,664 S \* 3/2017 Siegel ..... D24/128  
D810,277 S \* 2/2018 Amarasinghe ..... D24/110.1  
D825,064 S \* 8/2018 Wong ..... D24/190  
D834,185 S \* 11/2018 Molden ..... D24/128

(Continued)

**FOREIGN PATENT DOCUMENTS**

CN 201030221837 \* 7/2010

**OTHER PUBLICATIONS**

EEG headset for emotion detection. Online, published date Jan. 9, 2018. Retrieved on Mar. 17, 2019 from <URL: <https://phys.org/news/2018-01-eeg-headset-emotion.html>>.\*

*Primary Examiner* — Susan Bennett Hattan

*Assistant Examiner* — Omeed Agilee

(74) *Attorney, Agent, or Firm* — Kirschstein, Israel,  
Schiffmiller & Pieroni

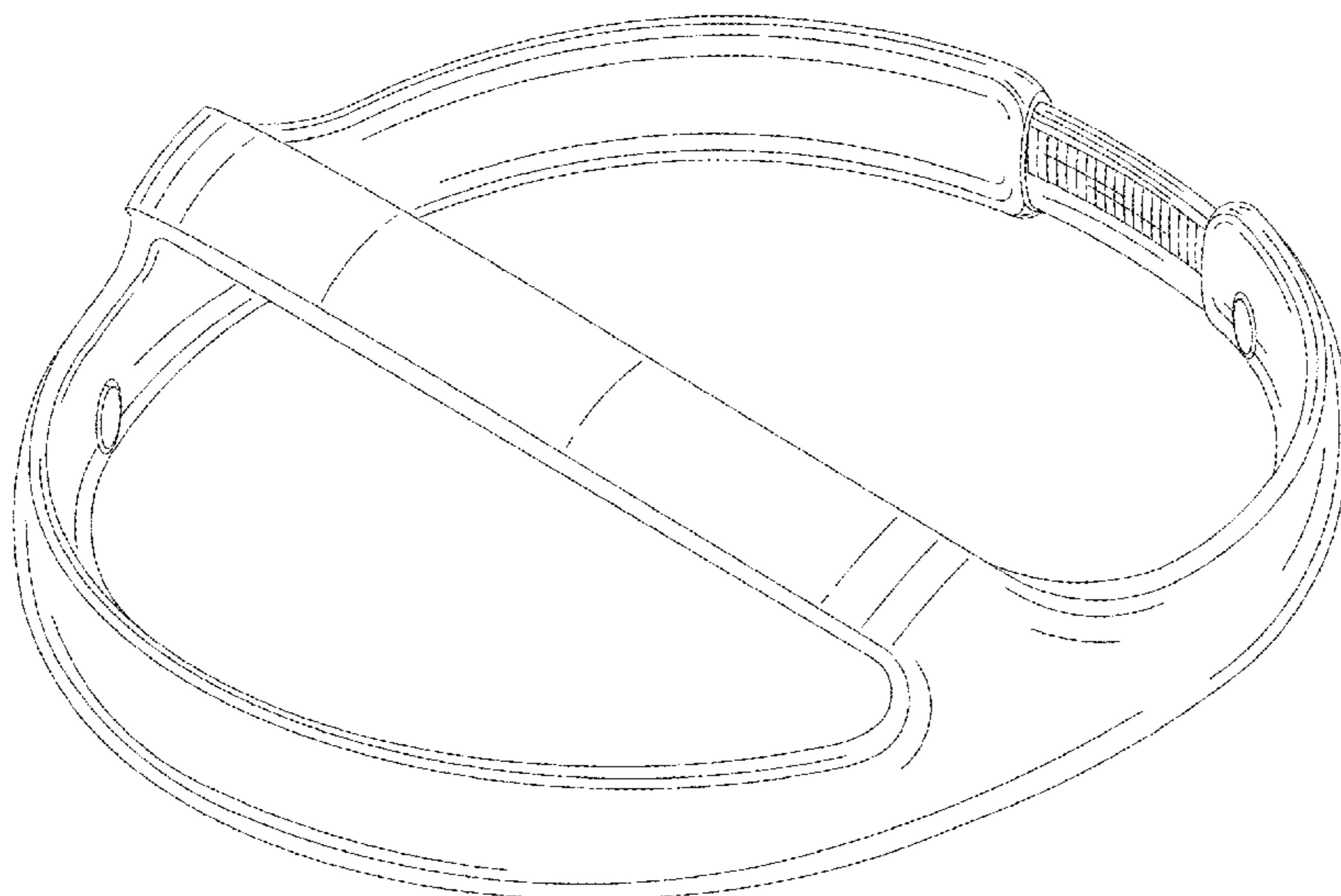
(57) **CLAIM**

The ornamental design for an electroencephalogram headset, as shown.

**DESCRIPTION**

FIG. 1 is an overhead, front and side, perspective view of an electroencephalogram headset according to our new design. FIG. 2 is an overhead, front perspective view thereof. FIG. 3 is a front, elevational view thereof. FIG. 4 is a rear, elevational view thereof. FIG. 5 is a left side, elevational view thereof. FIG. 6 is a right side, elevational view thereof; and, FIG. 7 is a top plan view thereof.

**1 Claim, 5 Drawing Sheets**



(56)

**References Cited**

U.S. PATENT DOCUMENTS

D837,971 S \* 1/2019 Prentice ..... D24/110.1  
2019/0033914 A1 \* 1/2019 Aimone ..... G06F 3/012  
2019/0038166 A1 \* 2/2019 Tavabi ..... A61B 5/0478

\* cited by examiner

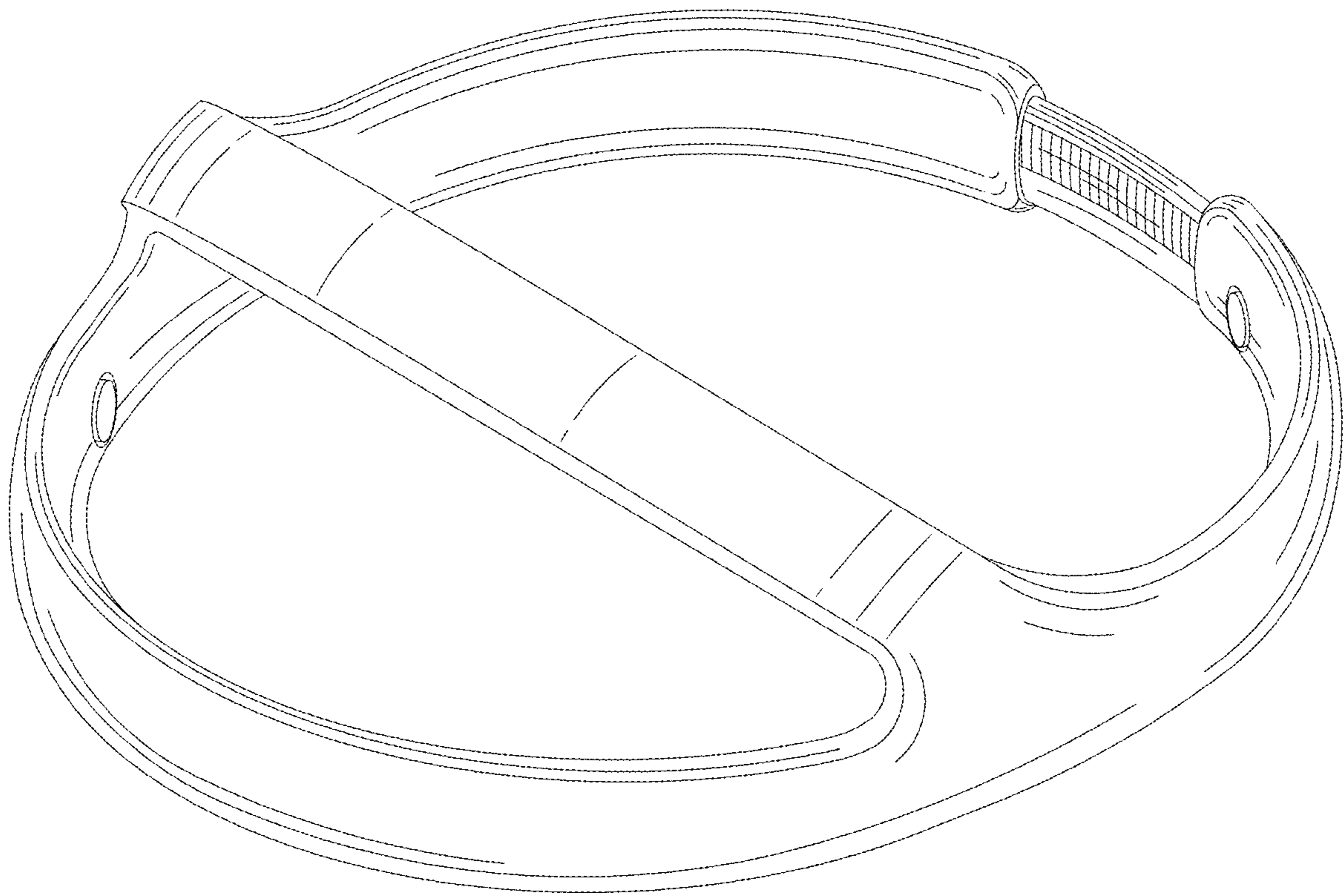


FIG. 1

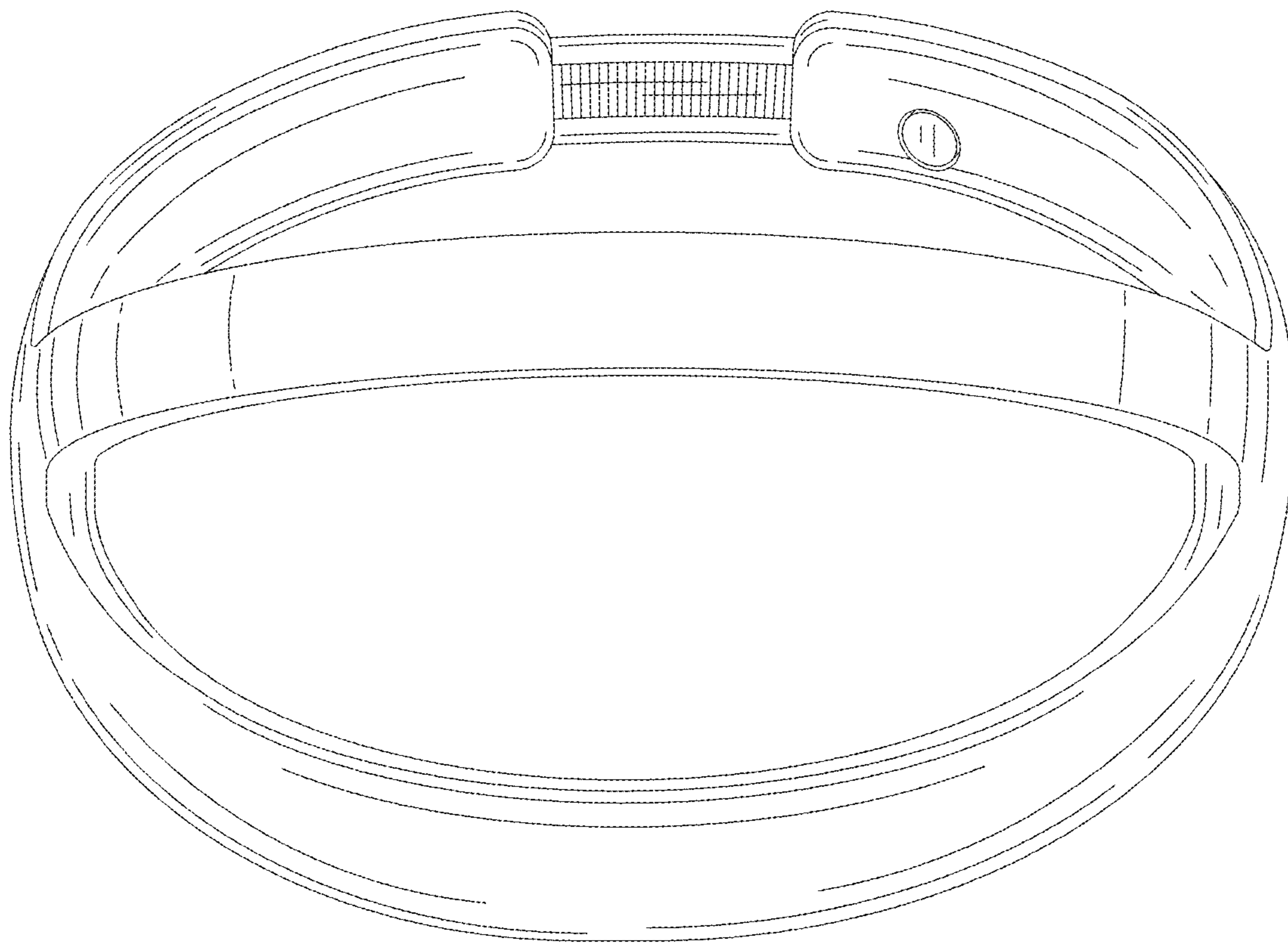


FIG. 2

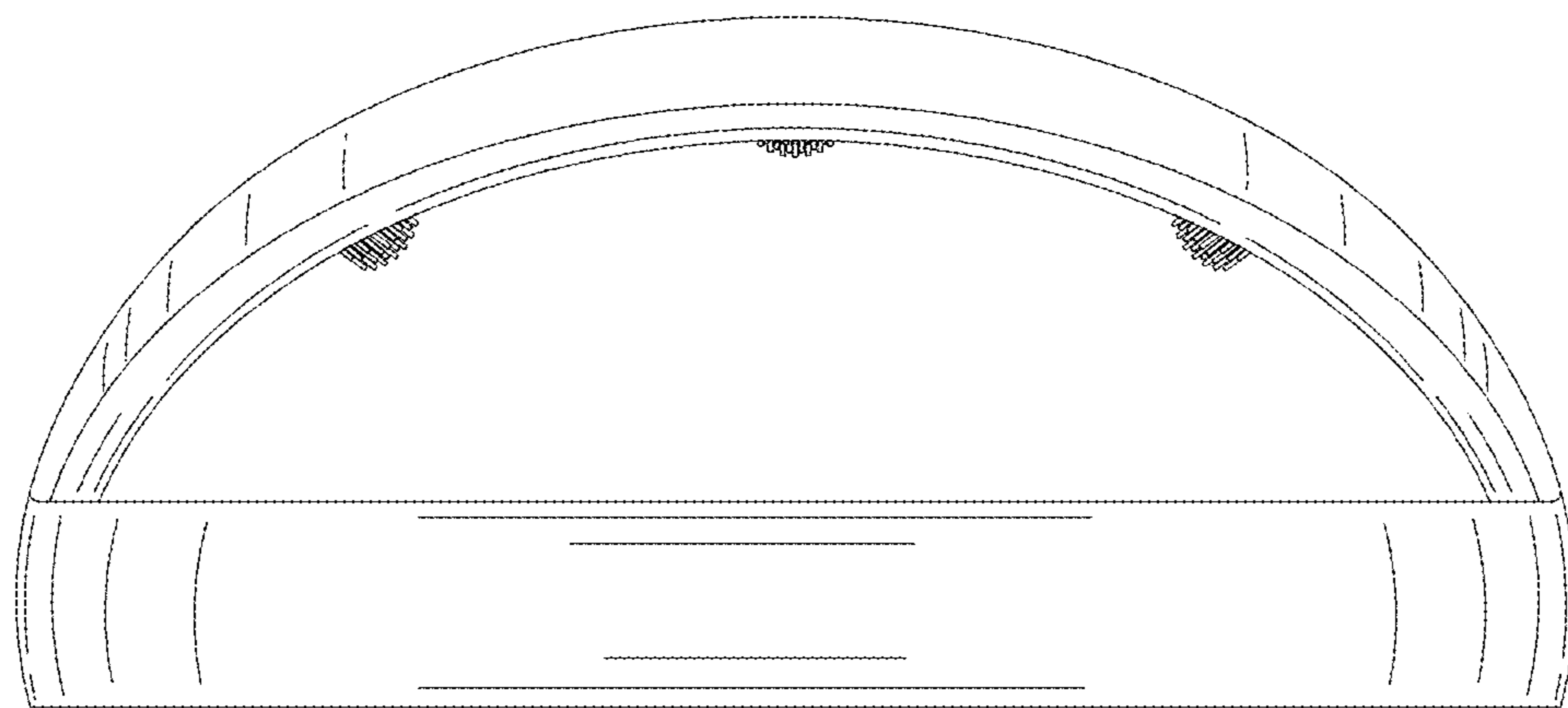


FIG. 3

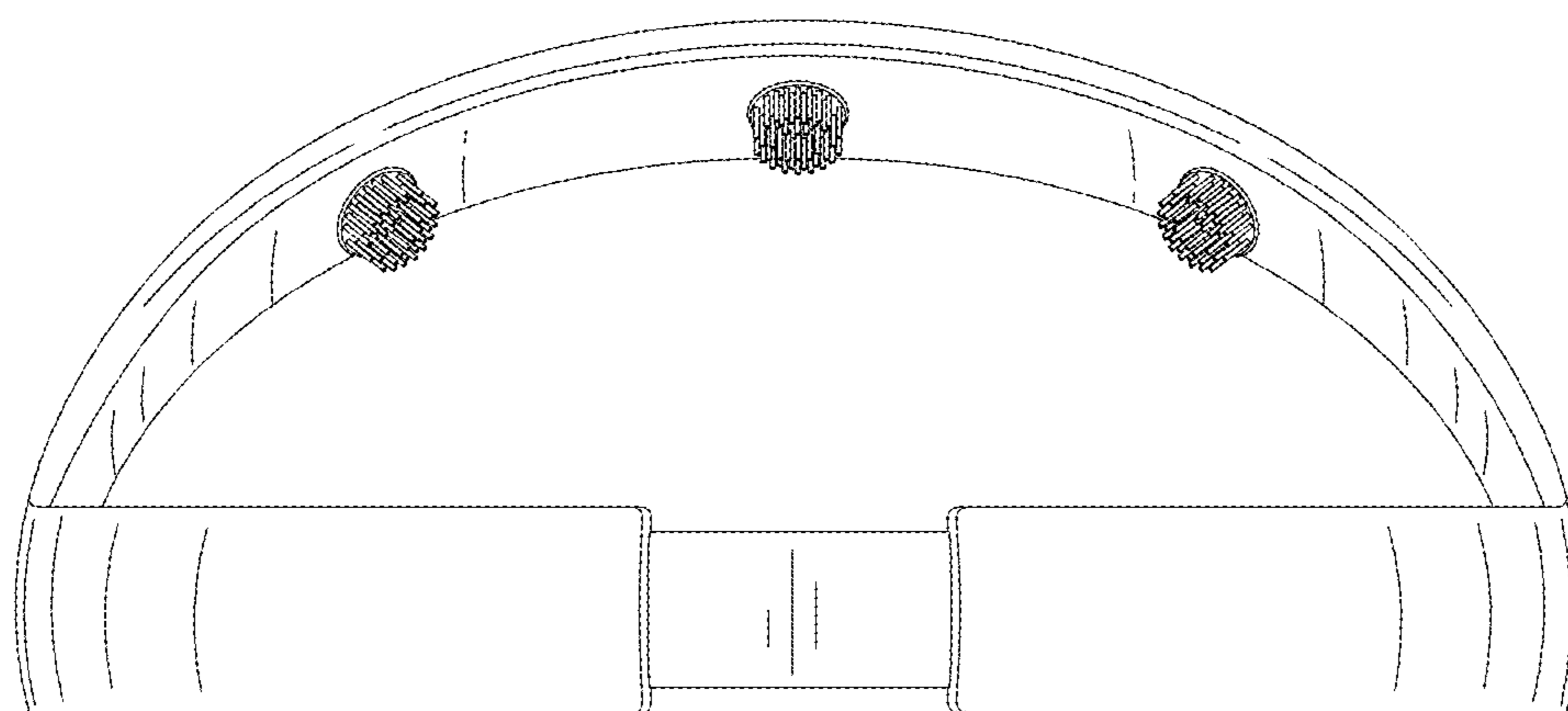


FIG. 4

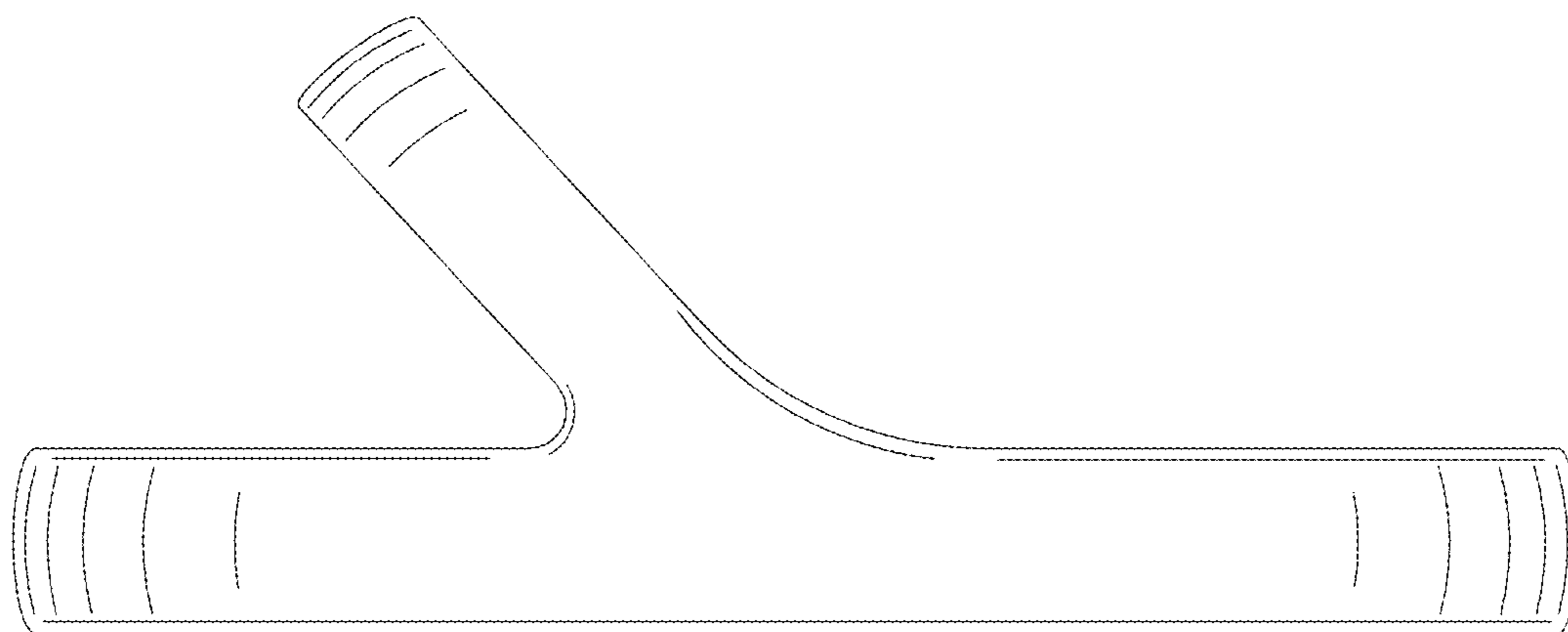


FIG. 5

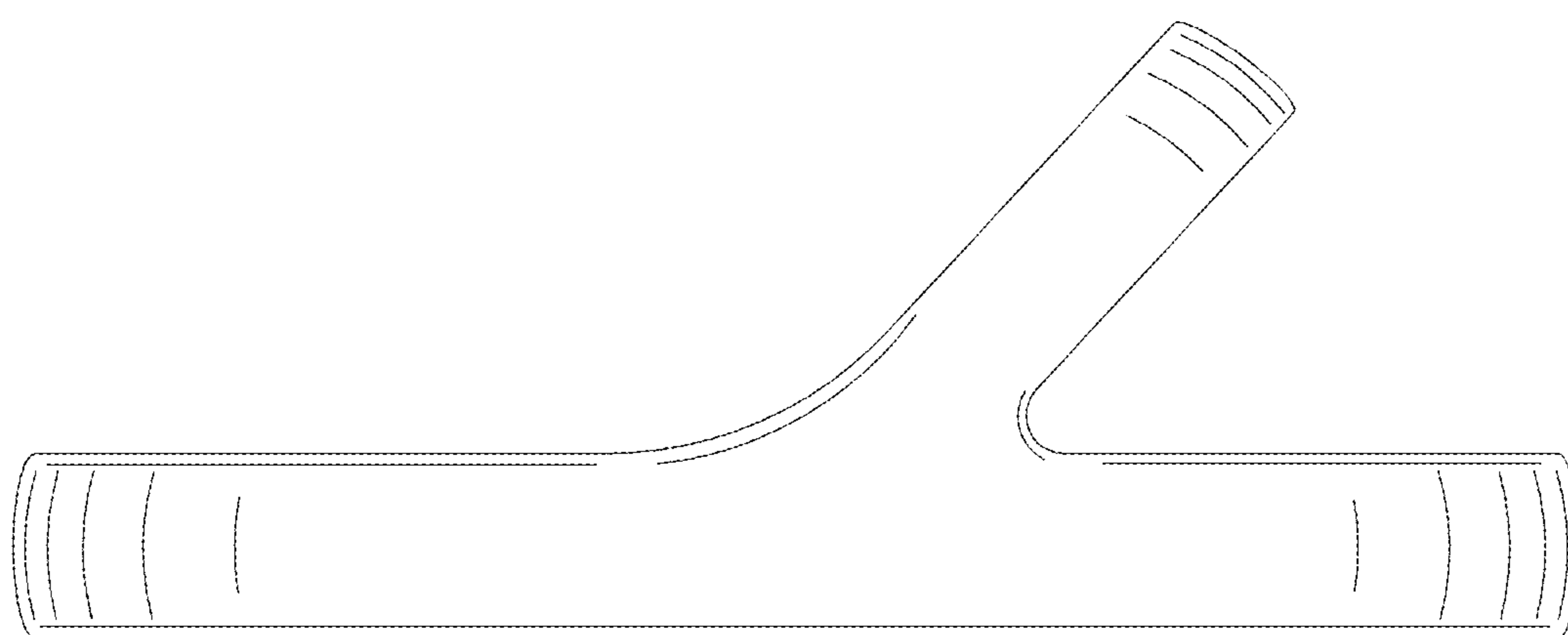


FIG. 6

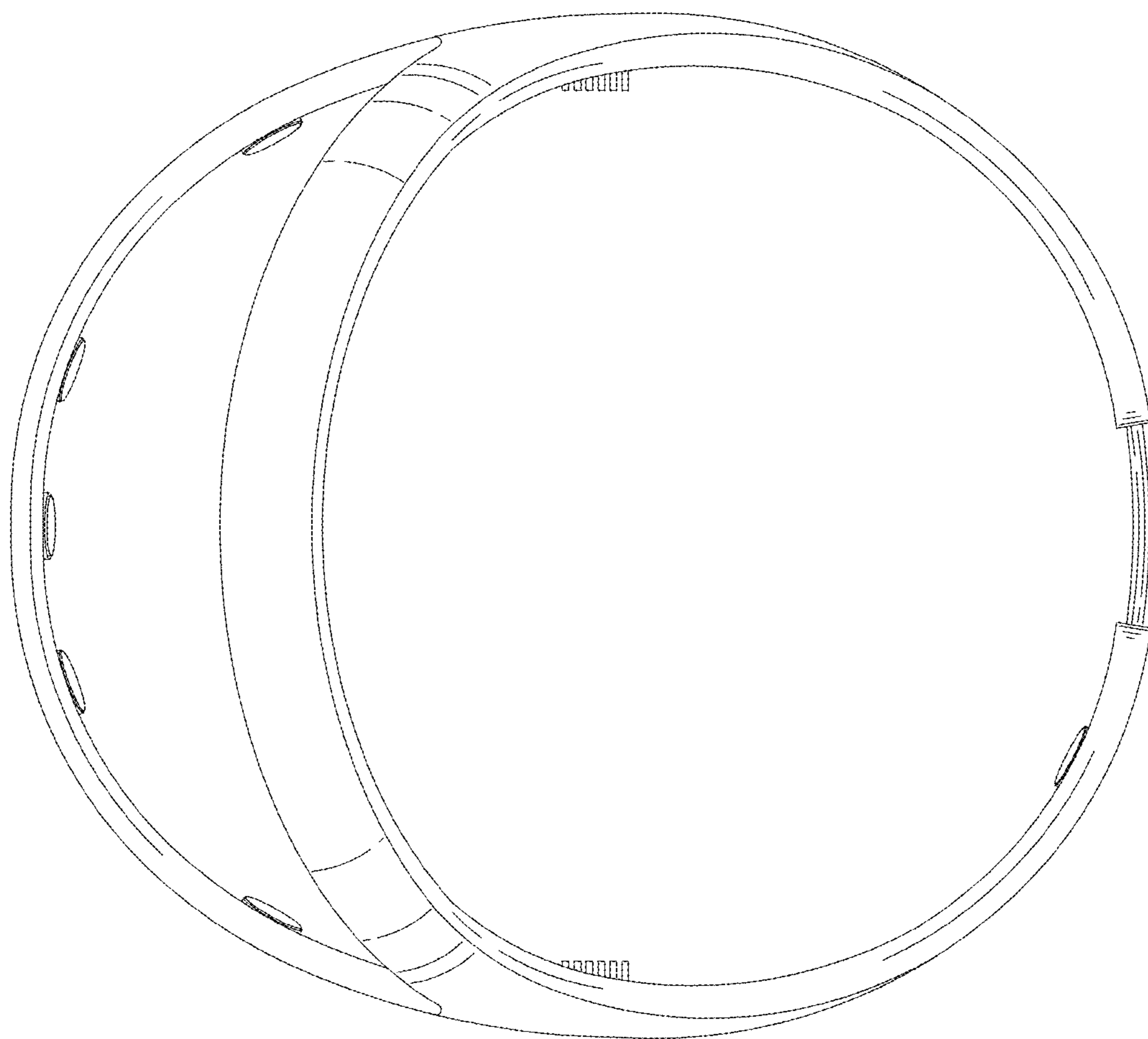


FIG. 7