



US00D888966S

(12) **United States Design Patent**  
**Robert et al.**

(10) **Patent No.:** **US D888,966 S**  
(45) **Date of Patent:** **\*\* Jun. 30, 2020**

(54) **VENTILATOR CART**  
(71) Applicant: **KONINKLIJKE PHILIPS N.V.**,  
Eindhoven (NL)  
(72) Inventors: **Maestro Robert**, Bothell, WA (US);  
**Eric Grant Halsne**, Kenmore, WA  
(US)  
(73) Assignee: **KONINKLIJKE PHILIPS N.V.**,  
Eindhoven (NL)  
(\*\*) Term: **15 Years**  
(21) Appl. No.: **35/504,786**  
(22) Filed: **Oct. 19, 2017**  
(80) **Hague Agreement Data**  
Int. Filing Date: **Oct. 19, 2017**  
Int. Reg. No.: **DM/100101**  
Int. Reg. Date: **Oct. 19, 2017**  
Int. Reg. Pub. Date: **Apr. 20, 2018**

(51) **LOC (12) Cl.** ..... **24-01**  
(52) **U.S. Cl.**  
USPC ..... **D24/185; D24/158**  
(58) **Field of Classification Search**  
USPC ..... **D24/158-161, 185, 186, 107; D34/14,**  
**D34/17, 19-21**  
CPC ... **A61B 6/4405; A61B 6/4411; A61B 6/4435;**  
**A61B 6/4441; A61B 6/4447; A61B**  
**8/4405; A61B 8/4411; A61B 8/4427;**  
**A61B 8/462; A61B 8/0437; A61B 8/0883**  
See application file for complete search history.

(56) **References Cited**  
U.S. PATENT DOCUMENTS  
D306,343 S \* 2/1990 Ungar ..... D24/160  
D366,280 S \* 1/1996 Henderson ..... D14/315  
D606,990 S \* 12/2009 Chen ..... D14/315

D627,342 S \* 11/2010 Lin ..... D14/315  
D631,043 S \* 1/2011 Kell ..... D14/341  
D645,630 S \* 9/2011 Steffens ..... D34/14  
D648,855 S \* 11/2011 Smith ..... D24/158  
D652,521 S \* 1/2012 Ross ..... D24/185  
D652,936 S \* 1/2012 Ross ..... D24/185  
D657,470 S \* 4/2012 Schon ..... D24/186  
8,286,977 B2 \* 10/2012 Butler ..... A61G 12/001  
280/47.34  
D676,436 S \* 2/2013 Du ..... D14/301  
D682,347 S \* 5/2013 Haggins ..... D14/318  
D695,898 S \* 12/2013 Chung ..... D24/158  
D696,783 S \* 12/2013 Chung ..... D24/185  
D699,852 S \* 2/2014 Chung ..... D24/158  
D700,706 S \* 3/2014 Molter ..... D24/185  
D708,341 S \* 7/2014 Ikegame ..... D24/185  
D712,037 S \* 8/2014 Hansen ..... D24/158  
D712,539 S \* 9/2014 Hansen ..... D24/158  
D712,540 S \* 9/2014 Hansen ..... D24/158  
8,844,951 B2 \* 9/2014 De Jong ..... B62B 3/10  
280/47.34  
D722,696 S \* 2/2015 Blomquist ..... D24/164  
D735,868 S \* 8/2015 Mareguddi ..... D24/185  
D769,448 S \* 10/2016 Adams ..... D24/160  
D777,927 S \* 1/2017 Choudhary ..... D24/167

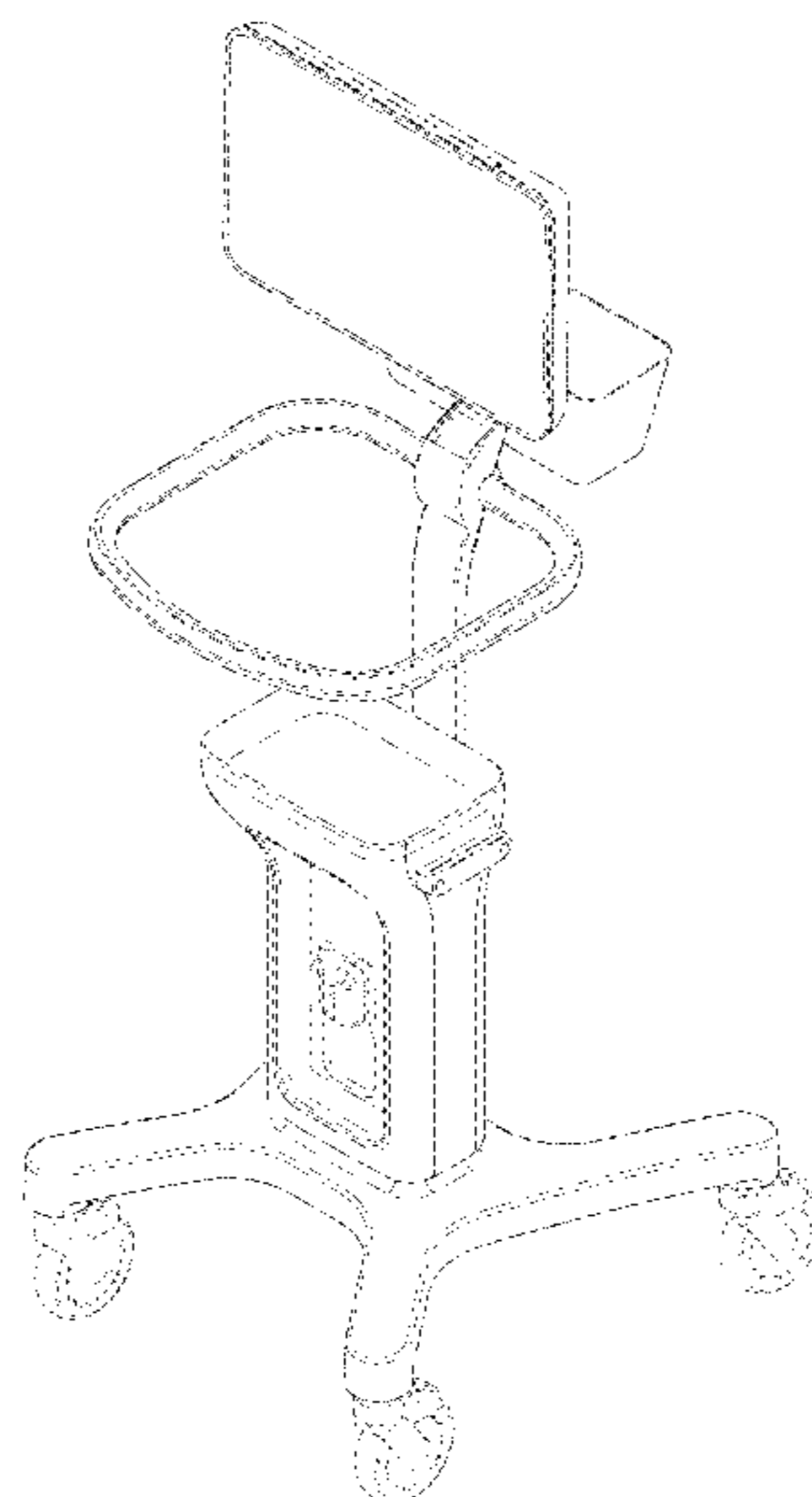
(Continued)

Primary Examiner — Richard E Chilcot

(57) **CLAIM**  
The ornamental design for a ventilator cart, as shown and described.

**DESCRIPTION**  
Fig. 1.1 is a front perspective view of a ventilator cart showing our new design;  
Fig. 1.2 is a front elevational view thereof;  
Fig. 1.3 is a rear elevational view thereof;  
Fig. 1.4 is a right side elevational view thereof;  
Fig. 1.5 is a left side elevational view thereof;  
Fig. 1.6 is a top plan view thereof;  
Fig. 1.7 is a bottom plan view thereof.  
The portions of the ventilator cart shown in broken lines form no part of the claimed design.

**1 Claim, 6 Drawing Sheets**



(56)

**References Cited**

U.S. PATENT DOCUMENTS

D804,671 S \* 12/2017 Yanase ..... D24/160  
9,855,109 B2 \* 1/2018 Dekel ..... A61B 50/10  
D827,139 S \* 8/2018 Henderson ..... D24/160  
2010/0148458 A1 \* 6/2010 Ross ..... A61M 16/0051  
280/47.34

\* cited by examiner

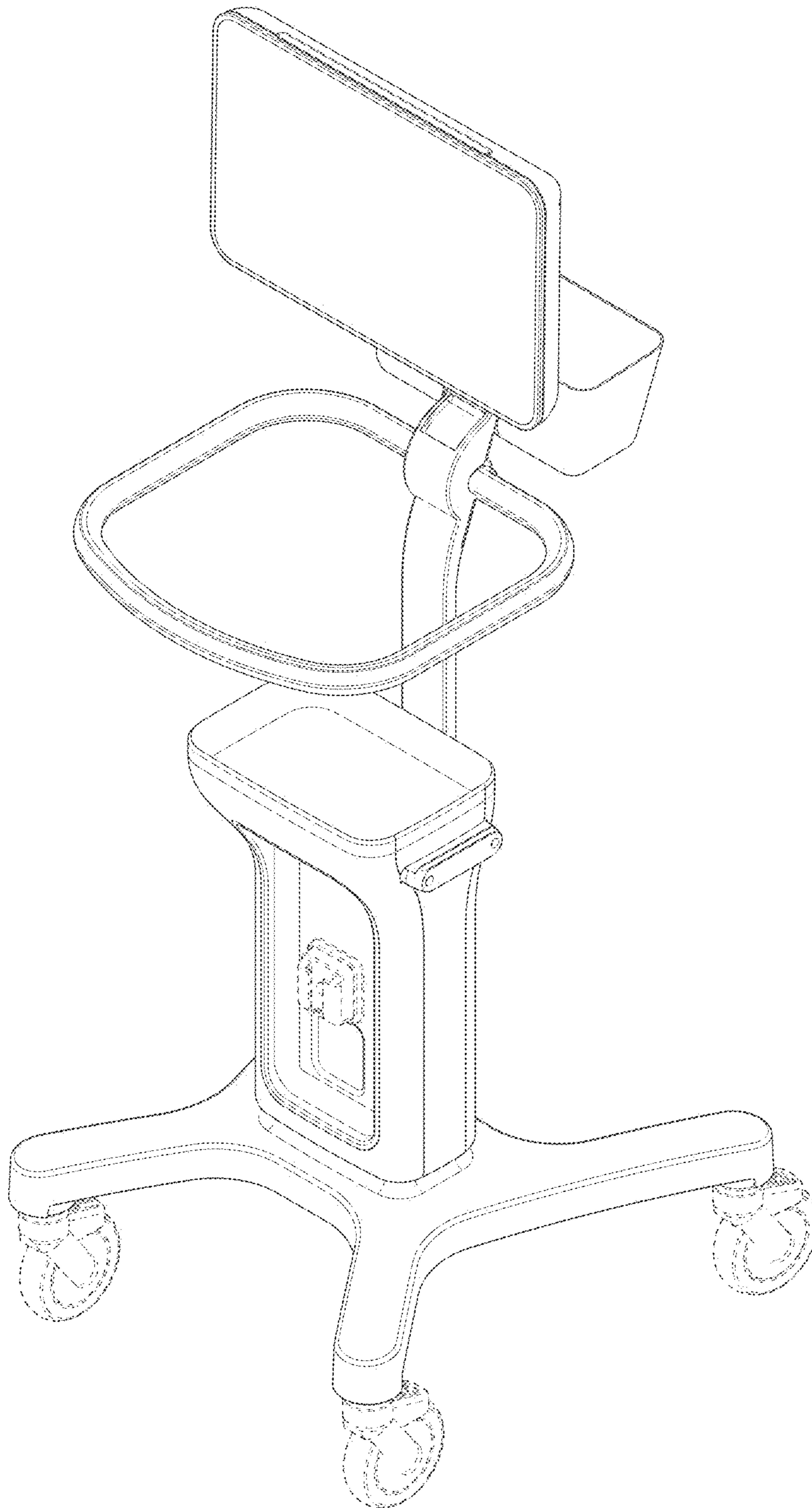


FIG. 1.1

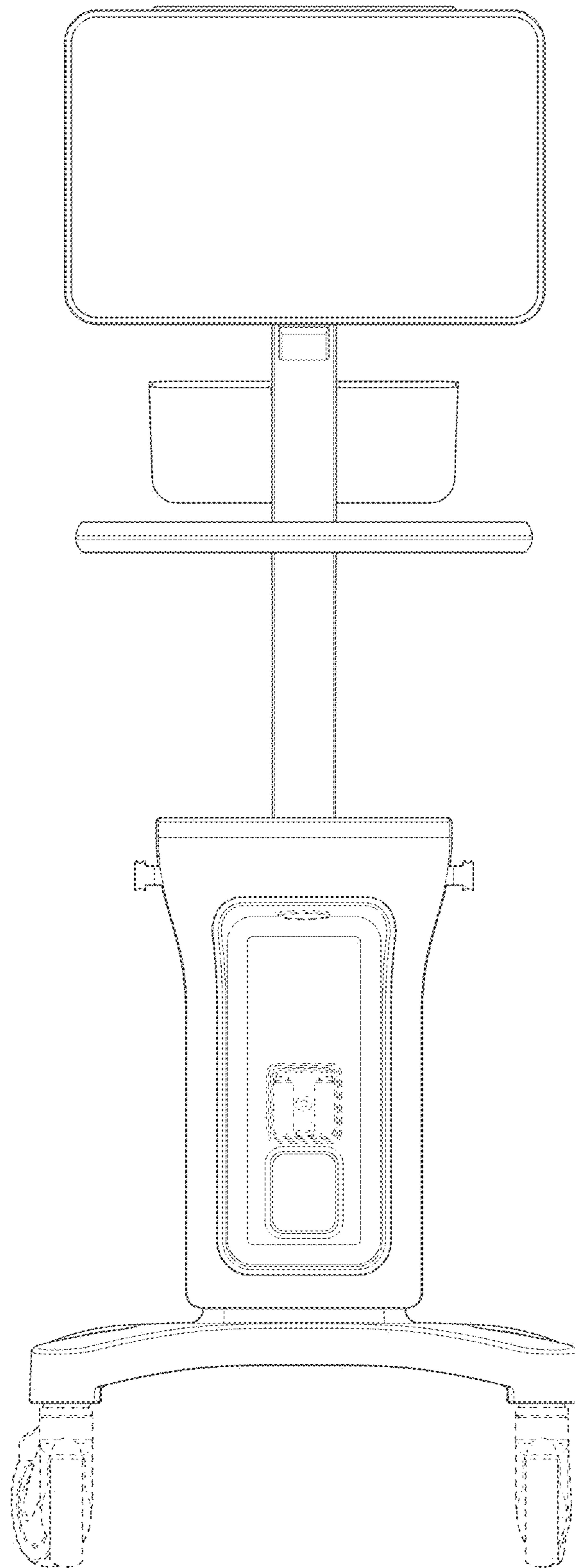


FIG. 1.2

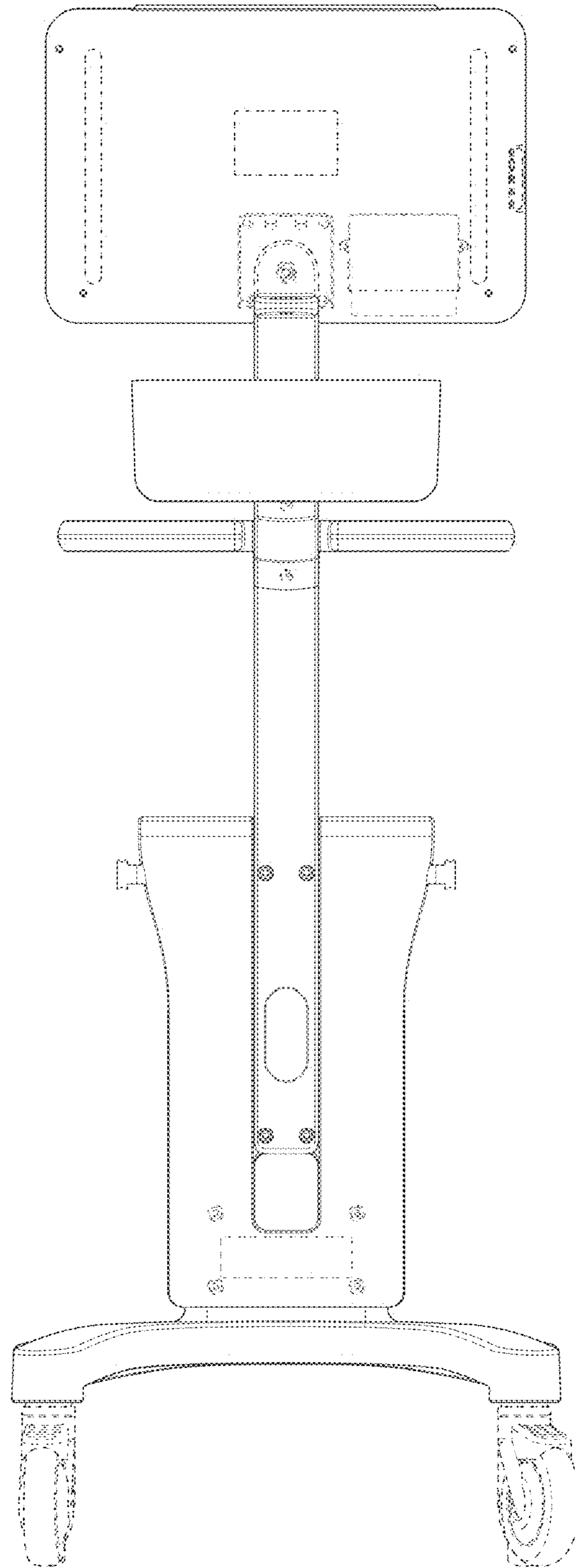


FIG. 1.3

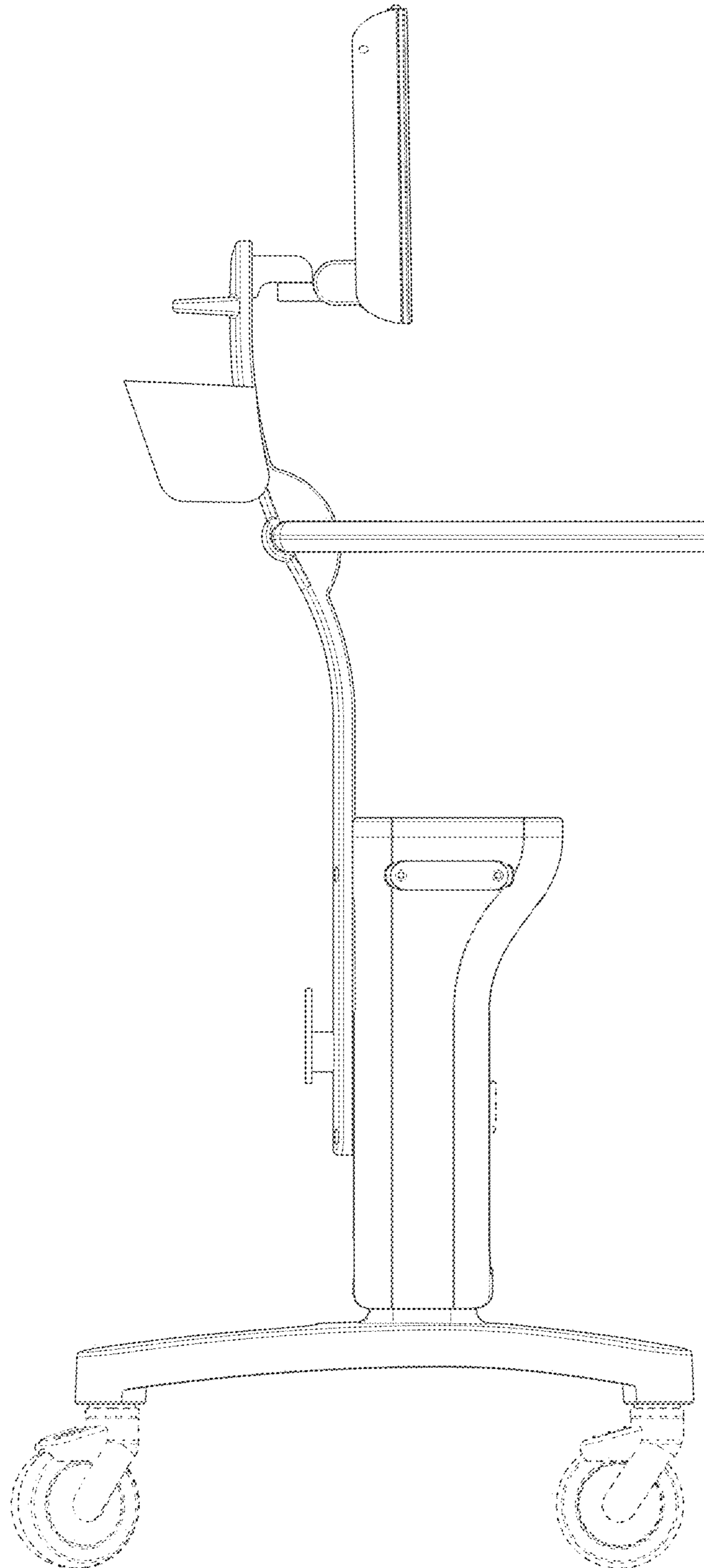


FIG. 1.4

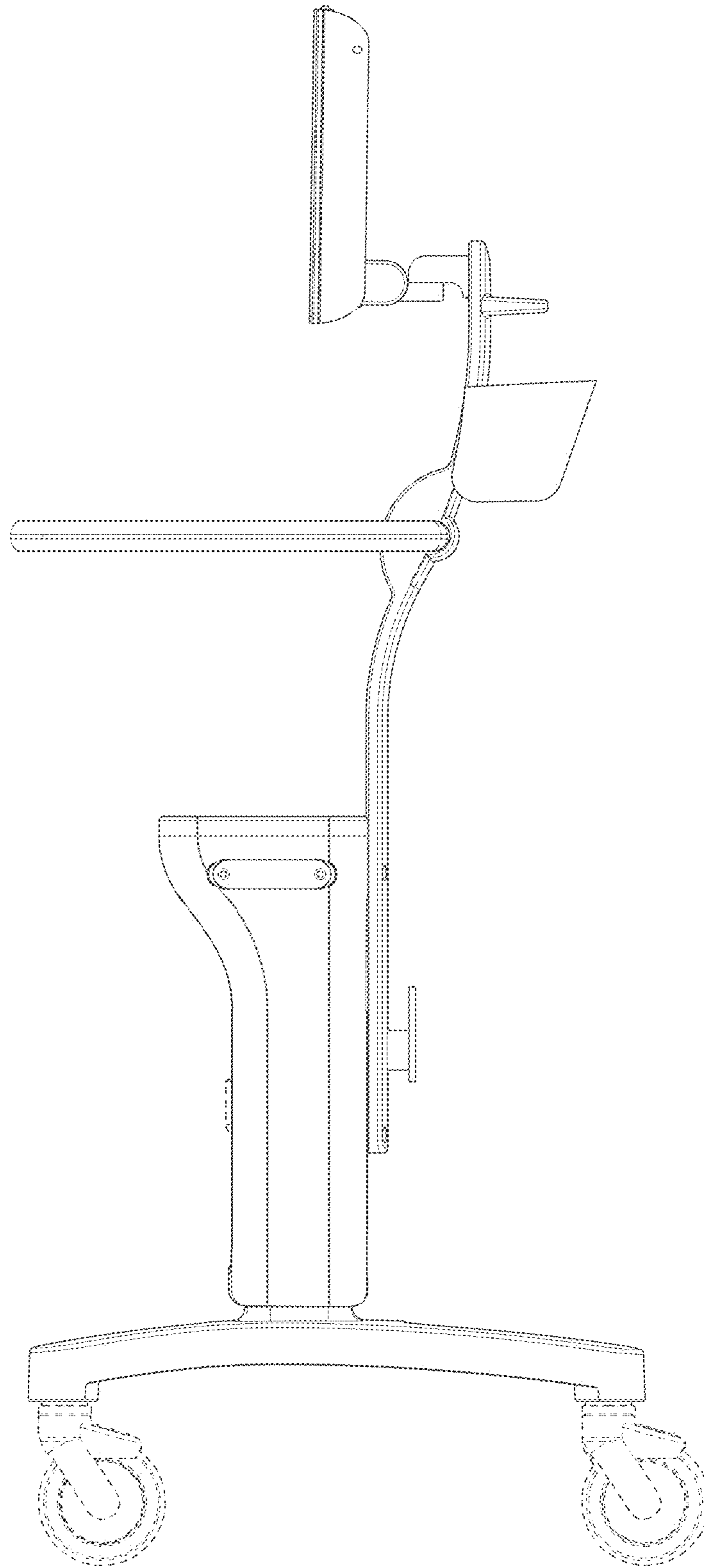


FIG. 1.5

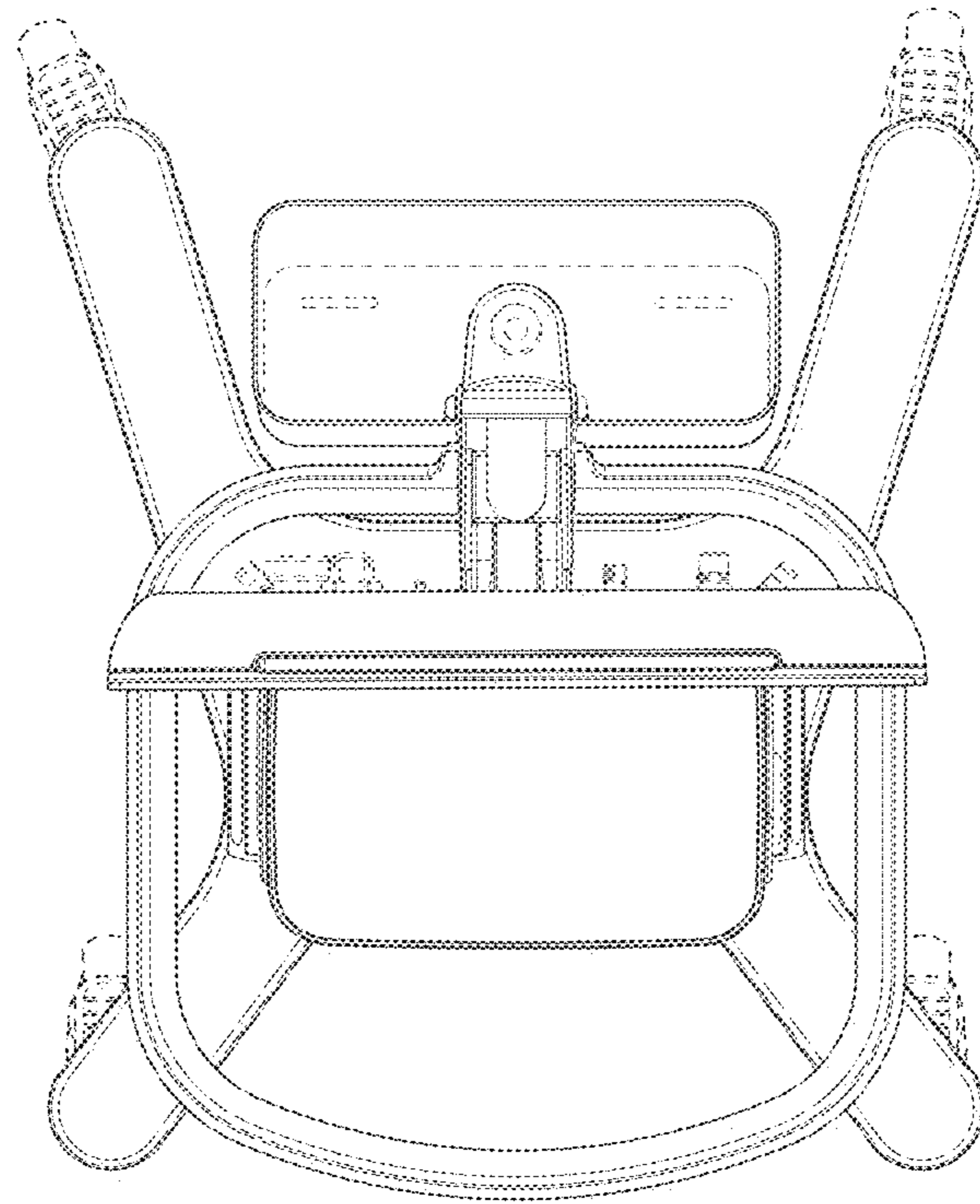


FIG. 1.6

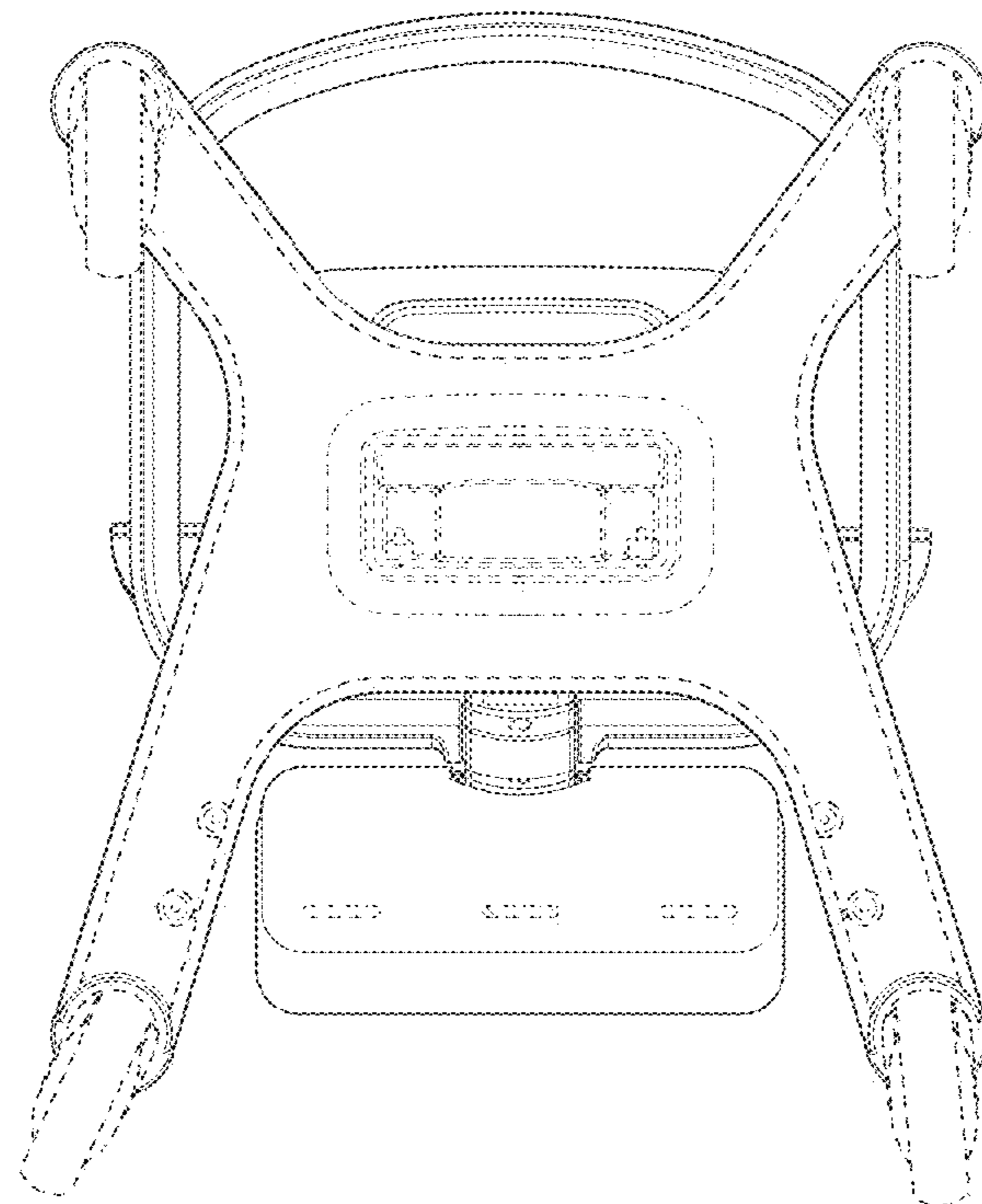


FIG. 1.7