



US00D888965S

(12) **United States Design Patent** (10) **Patent No.:** **US D888,965 S**
Zwierstra et al. (45) **Date of Patent:** **** Jun. 30, 2020**

(54) **HEADREST**

(71) Applicant: **Neural Analytics, Inc.**, Los Angeles, CA (US)
(72) Inventors: **Jan Zwierstra**, Los Angeles, CA (US); **Lane Stith**, Los Angeles, CA (US); **Kiah Leshner**, Los Angeles, CA (US); **Matthew Hutter**, Los Angeles, CA (US); **Marc Hanchak**, Denver, CO (US); **Schuyler Livingston**, Denver, CO (US); **Shane Korthuis**, Denver, CO (US)

(73) Assignee: **Neural Analytics, Inc.**, Los Angeles, CA (US)

(**) Term: **15 Years**

(21) Appl. No.: **29/669,090**

(22) Filed: **Nov. 5, 2018**

(51) **LOC (12) Cl.** **24-02**

(52) **U.S. Cl.**
USPC **D24/184**

(58) **Field of Classification Search**
USPC D24/183–184, 188, 190–191, 200, 211, D24/215; D6/366, 375, 380, 596, 601, D6/604, 716
CPC A47B 21/0314; A47B 21/0371; A47C 20/021; A47C 20/026
See application file for complete search history.

(56) **References Cited**

U.S. PATENT DOCUMENTS

D309,189 S * 7/1990 Bowlin D24/183
D375,222 S * 11/1996 Bonaddio D6/596
D583,947 S * 12/2008 Abel D24/164
D601,261 S * 9/2009 Levan D24/184
D642,278 S * 7/2011 Sharps D24/184
D711,000 S * 8/2014 Ravikumar D24/184
D724,746 S * 3/2015 Ruel D24/190

D772,594 S * 11/2016 Fukasawa D6/375
D797,299 S * 9/2017 Ruel D24/190
D797,945 S * 9/2017 Kim D24/184
D826,410 S * 8/2018 Christensen D24/183
D858,782 S * 9/2019 Kellock D24/191
D862,713 S * 10/2019 Wendling D24/191
D871,108 S * 12/2019 Yang D6/601
D875,416 S * 2/2020 Fukasawa D6/380

OTHER PUBLICATIONS

Headrest Made Of Flexible And Elastic Foam. Online, published date unknown. Retrieved on Feb. 24, 2020 from URL: <https://www.alternup-medical.com/en/operating-table-accessories/345-headrest-made-of-flexible-and-elastic-foam.html>.*

* cited by examiner

Primary Examiner — Susan Bennett Hattan

Assistant Examiner — Omeed Agilee

(74) *Attorney, Agent, or Firm* — Foley & Lardner LLP

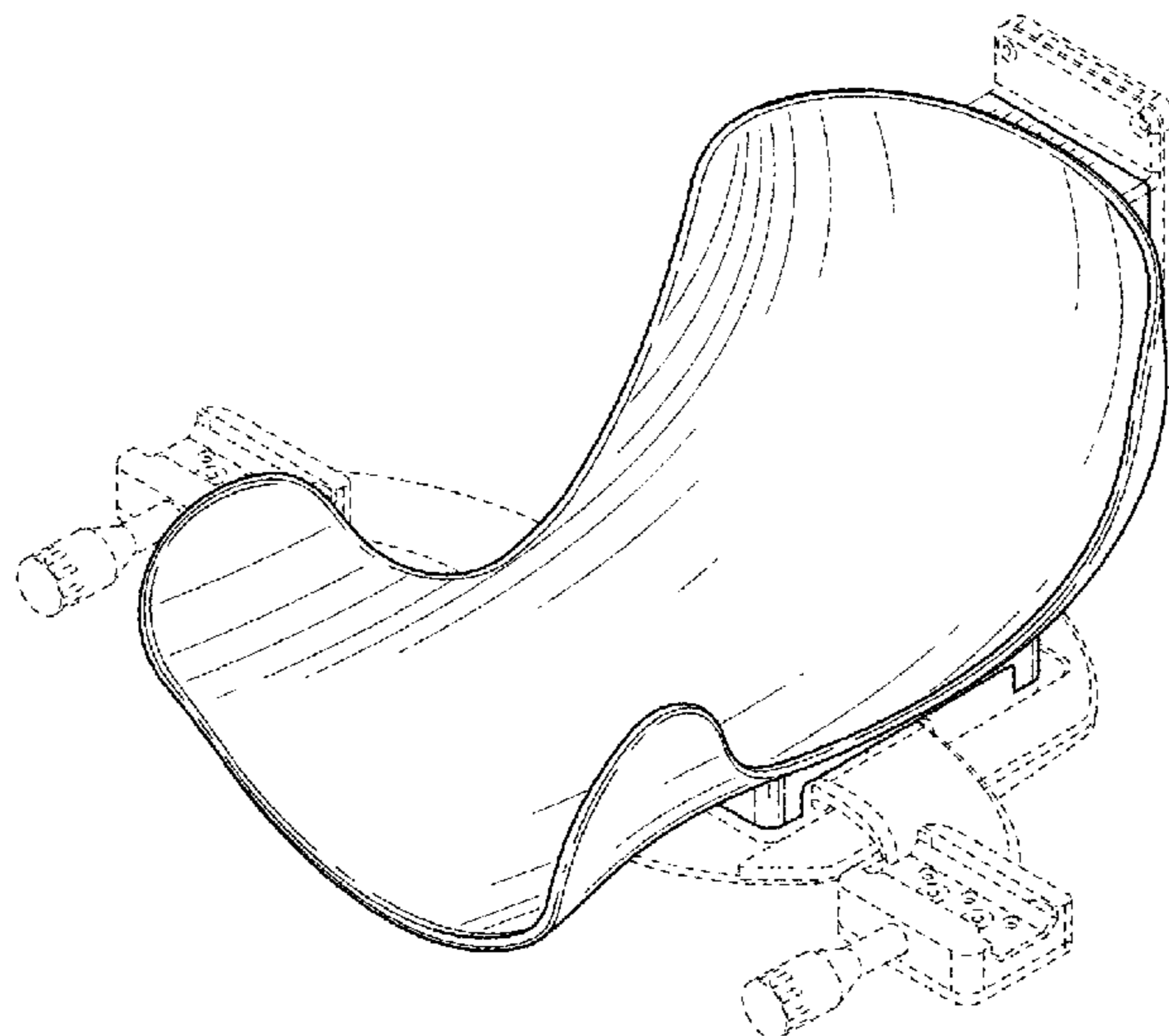
(57) **CLAIM**

We claim the ornamental design for a headrest, as shown and described.

DESCRIPTION

FIG. 1 is a top/front/right-side perspective view of the headrest of the claimed design;
FIG. 2 is a rear/top/left-side perspective view of the headrest;
FIG. 3 is a bottom/front/right-side view of the headrest;
FIG. 4 is a bottom/rear/left-side view of the headrest;
FIG. 5 is a front view of the headrest;
FIG. 6 is a rear view of the headrest;
FIG. 7 is a left side view of the headrest;
FIG. 8 is a right side view of the headrest;
FIG. 9 is a top view of the headrest; and,
FIG. 10 is a bottom view of the headrest.
The broken lines in the drawings depict environmental subject matter that forms no part of the claimed design.

1 Claim, 10 Drawing Sheets



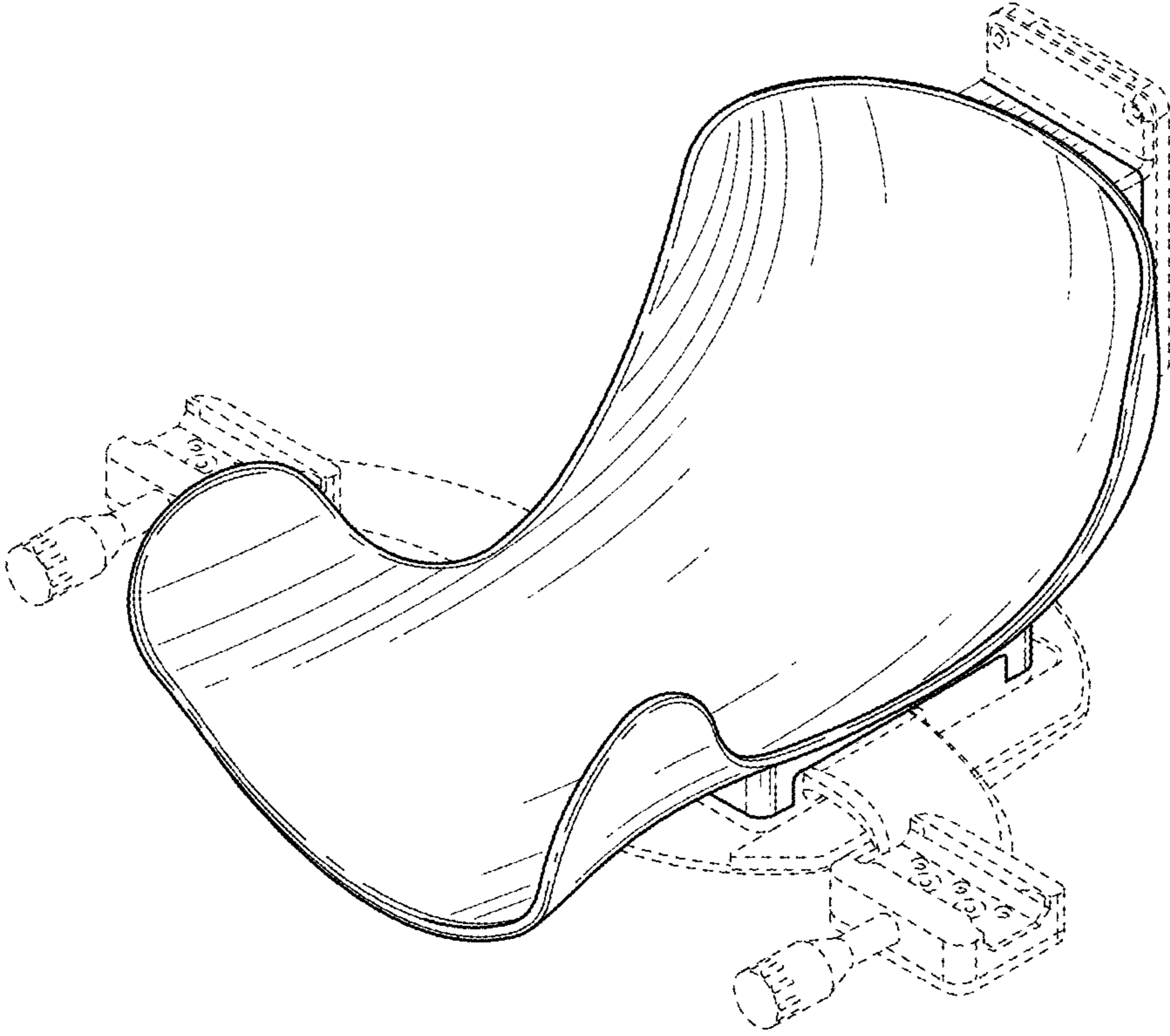


FIG. 1

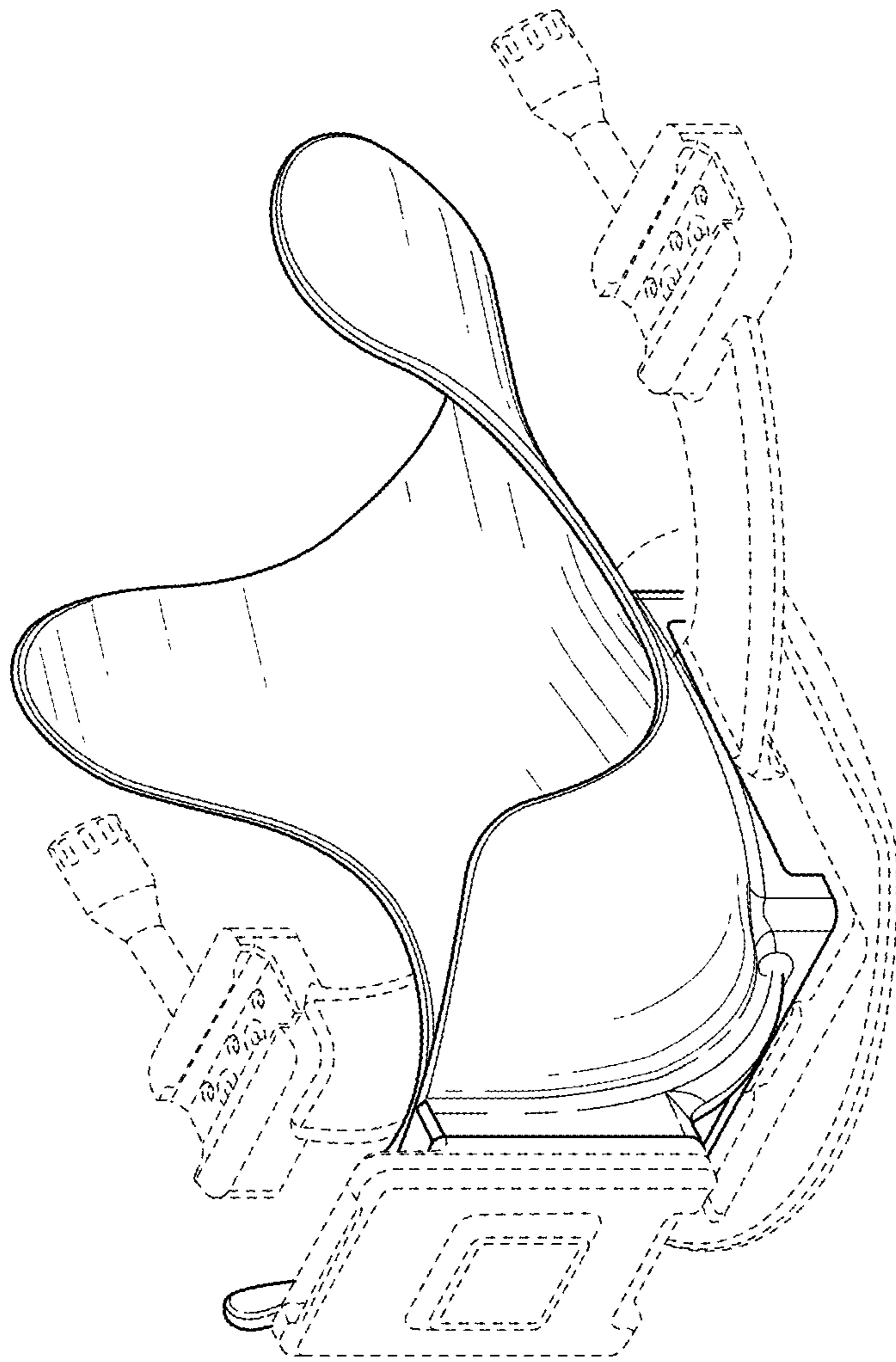


FIG. 2

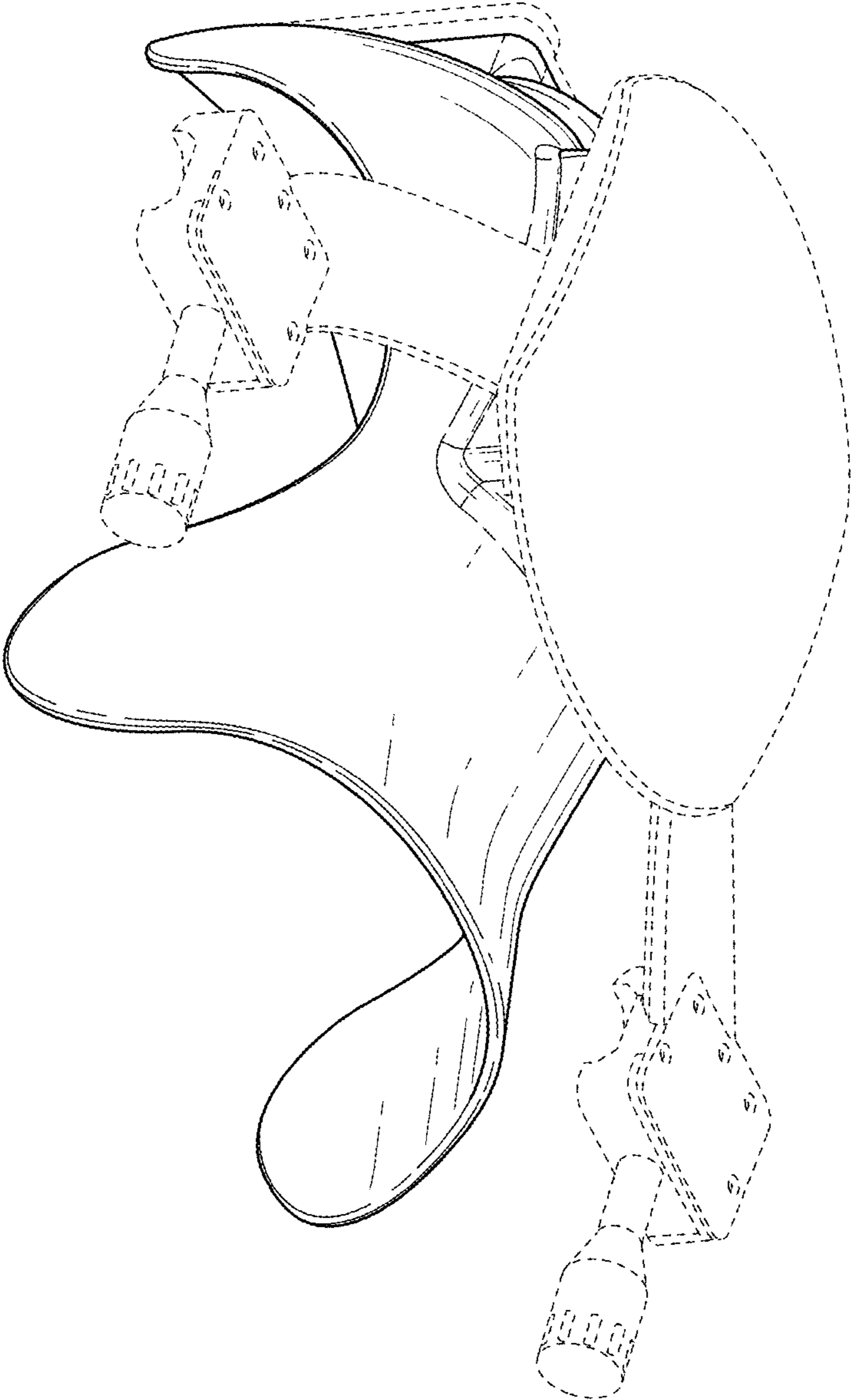


FIG. 3

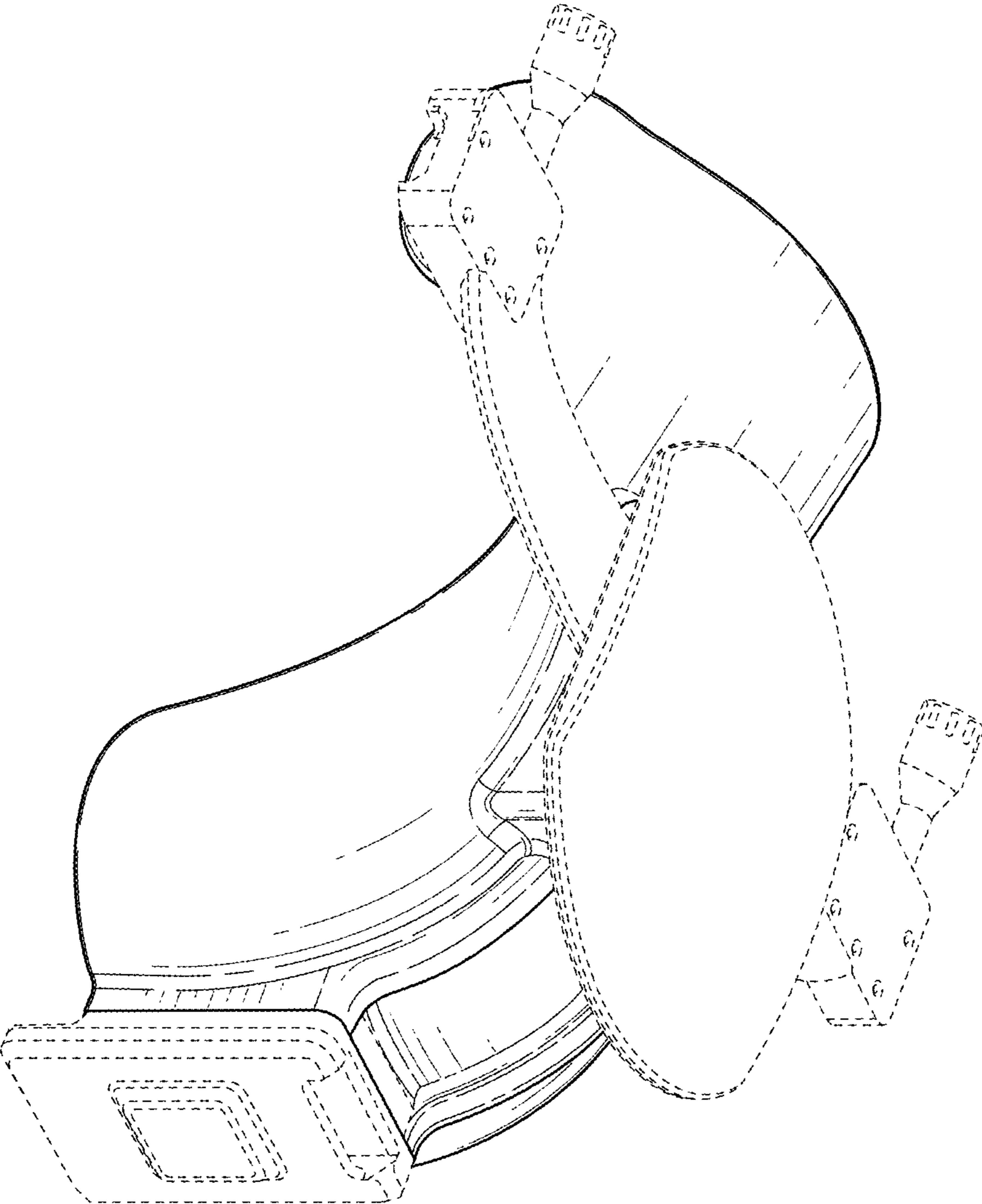


FIG. 4

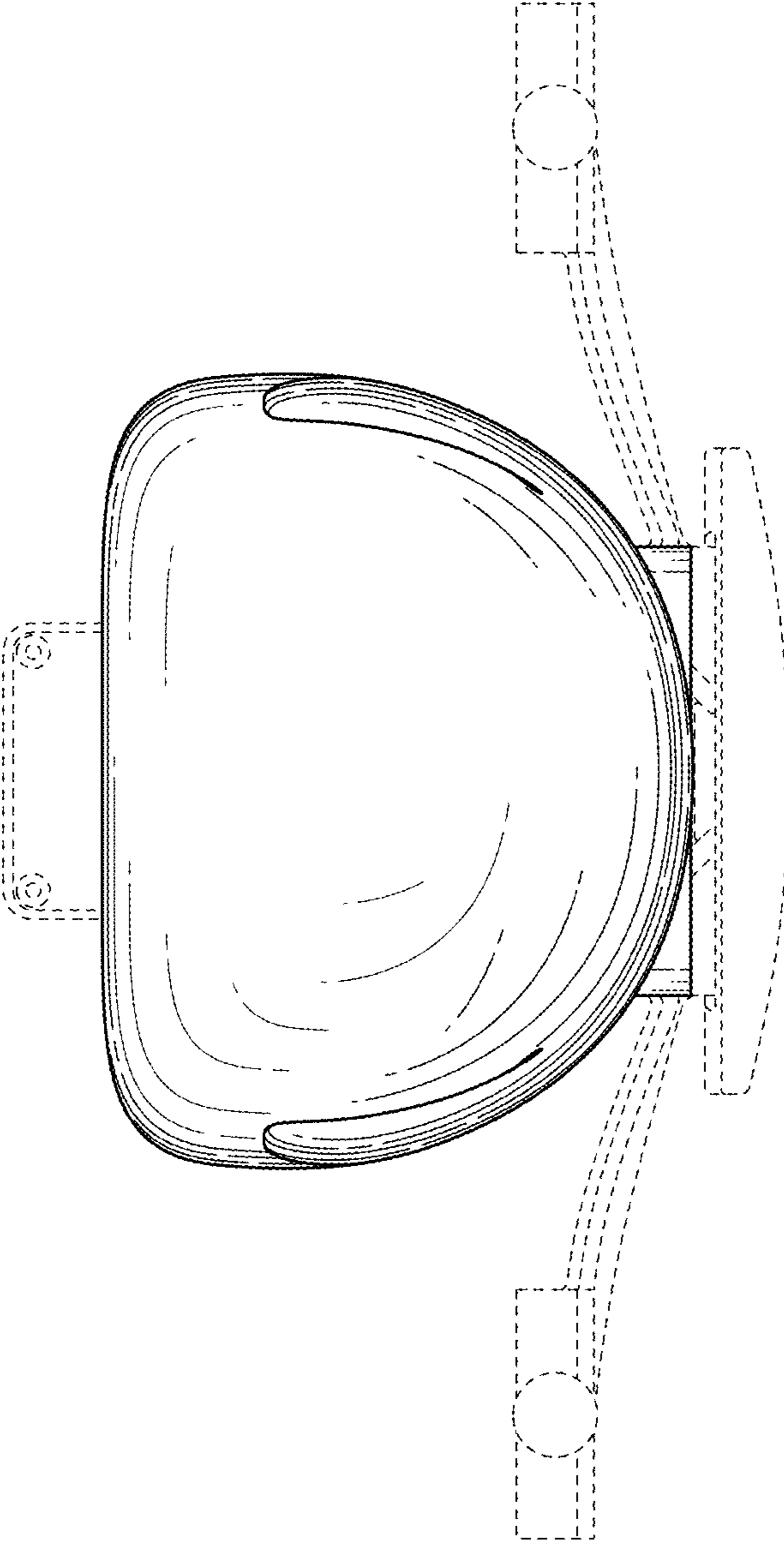


FIG. 5

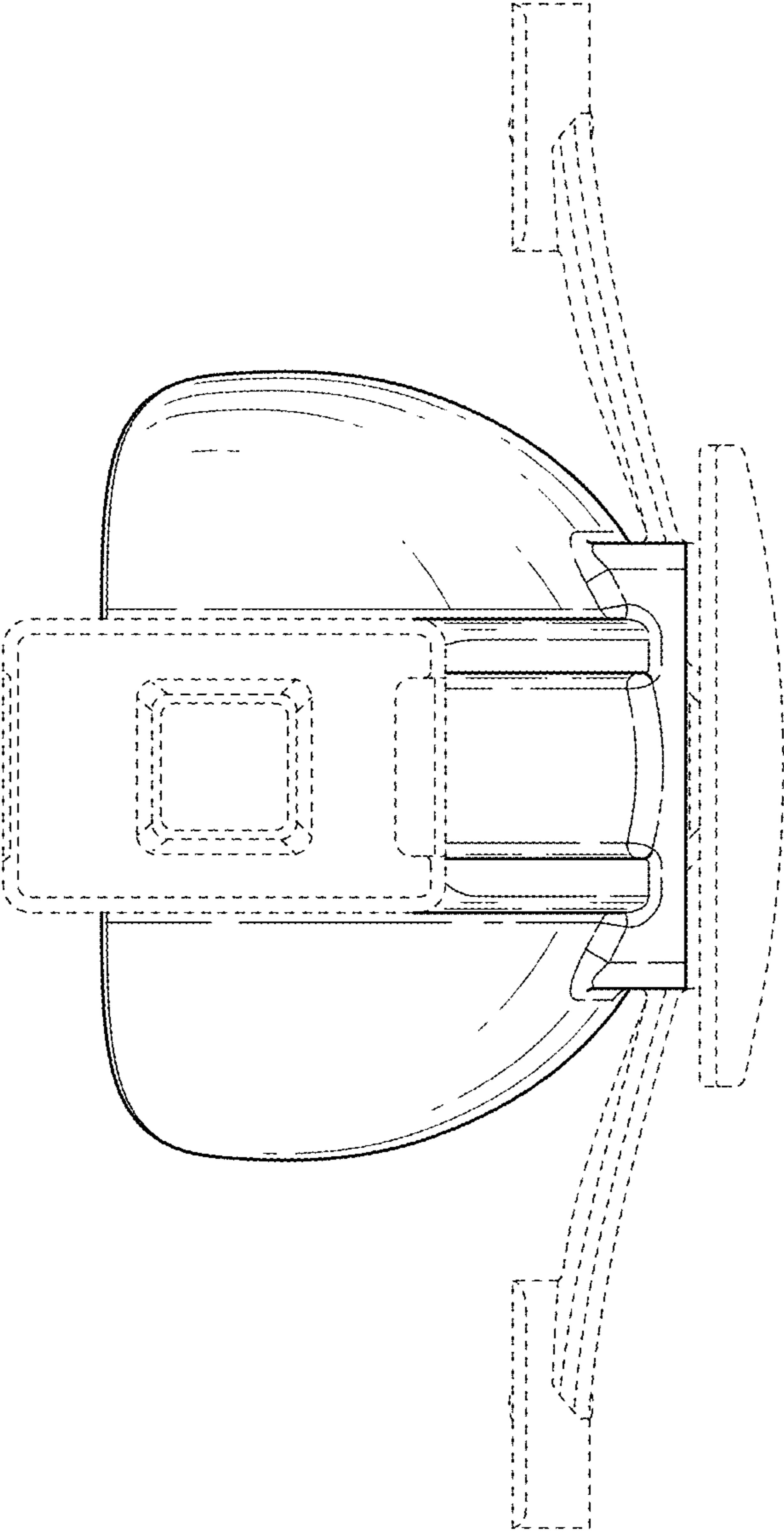


FIG. 6

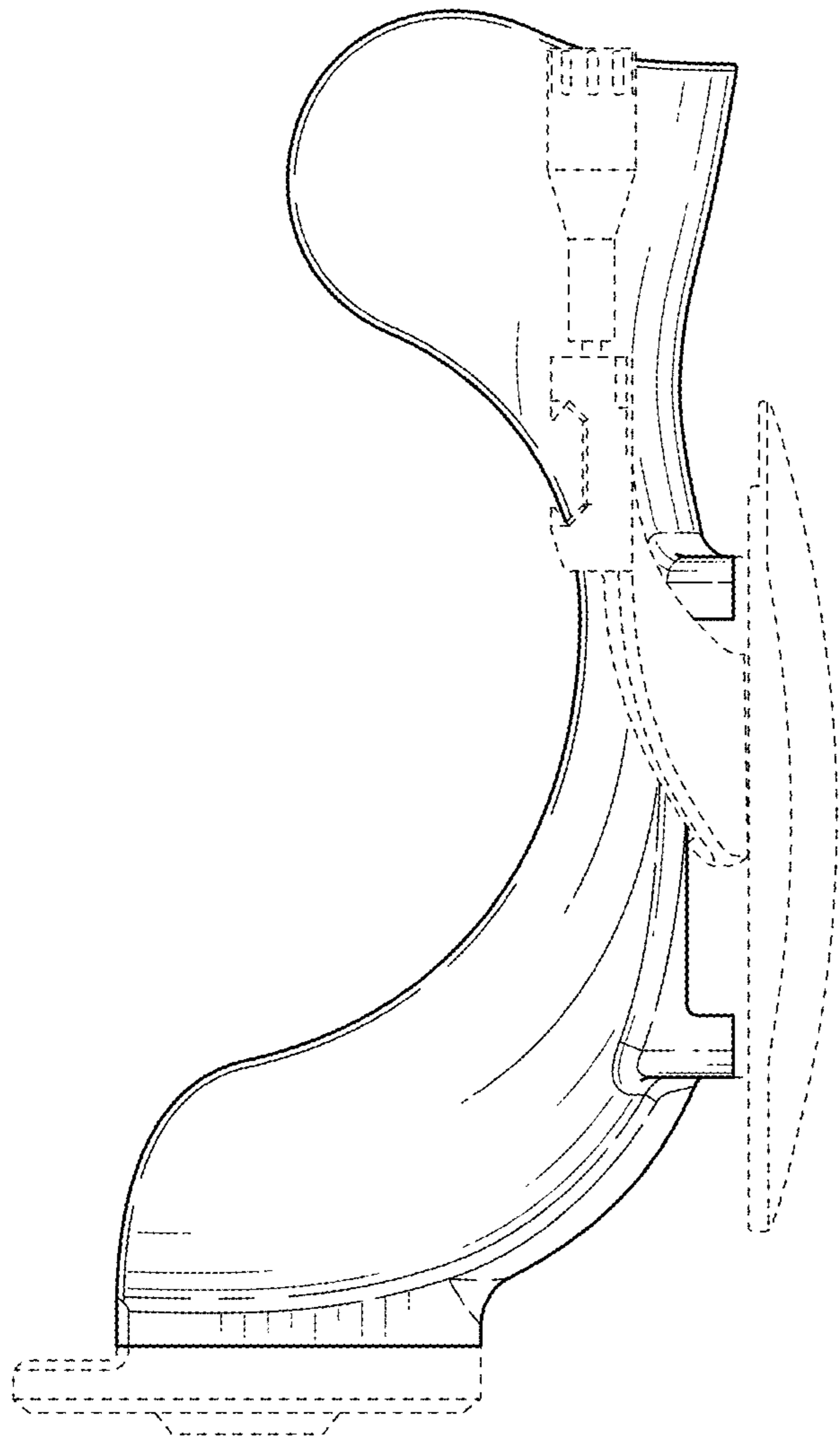


FIG.7

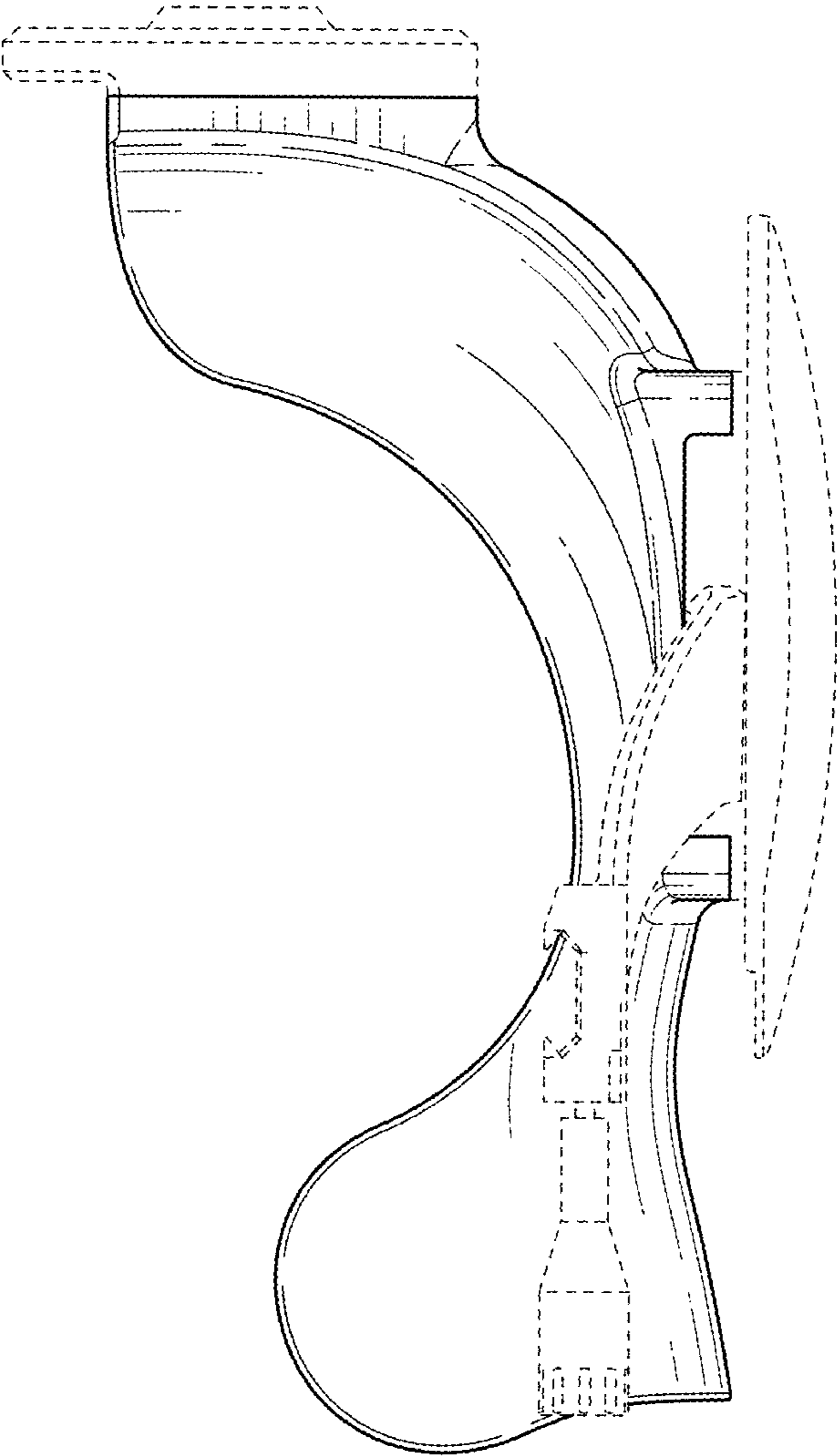


FIG.8

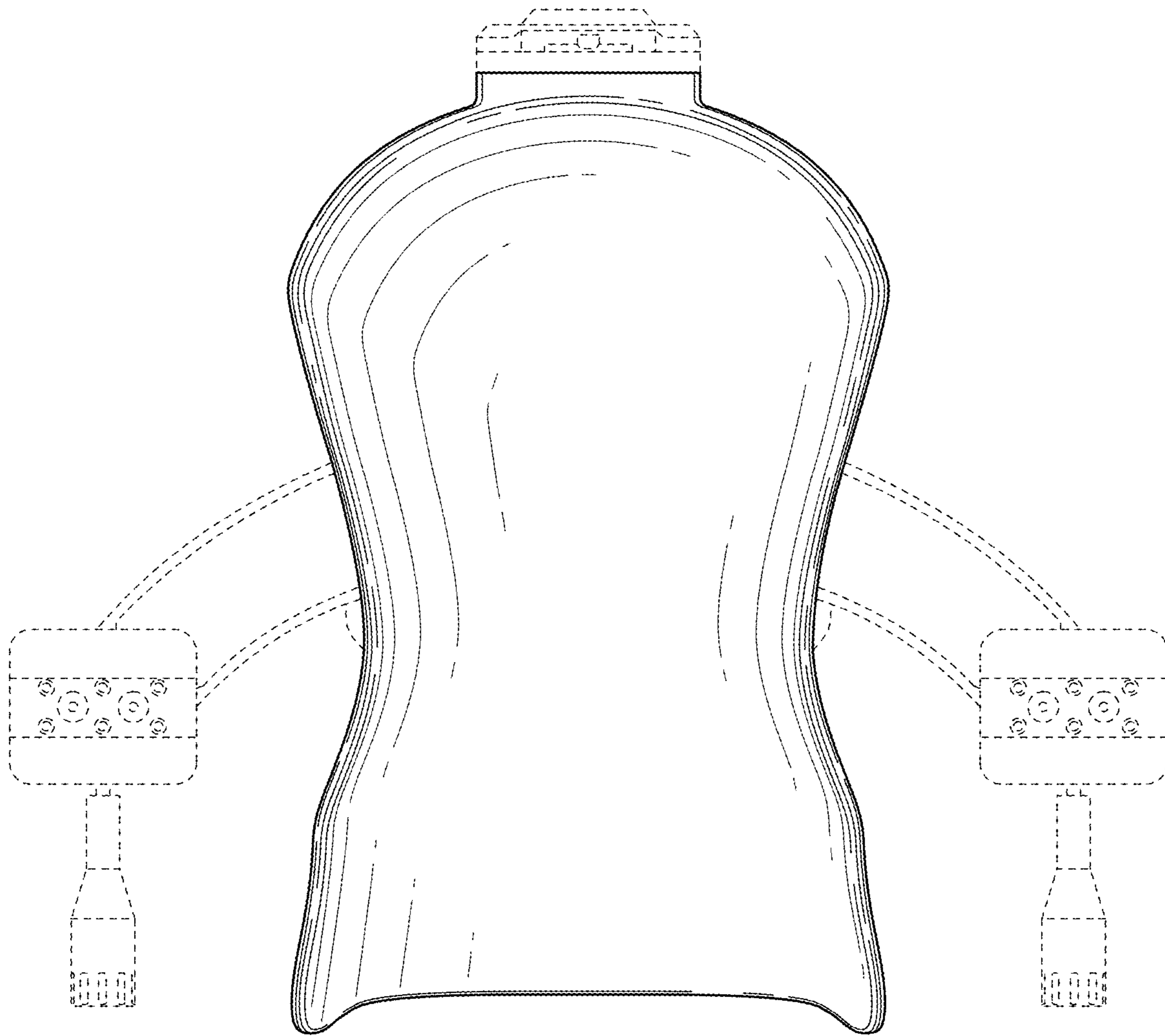


FIG. 9

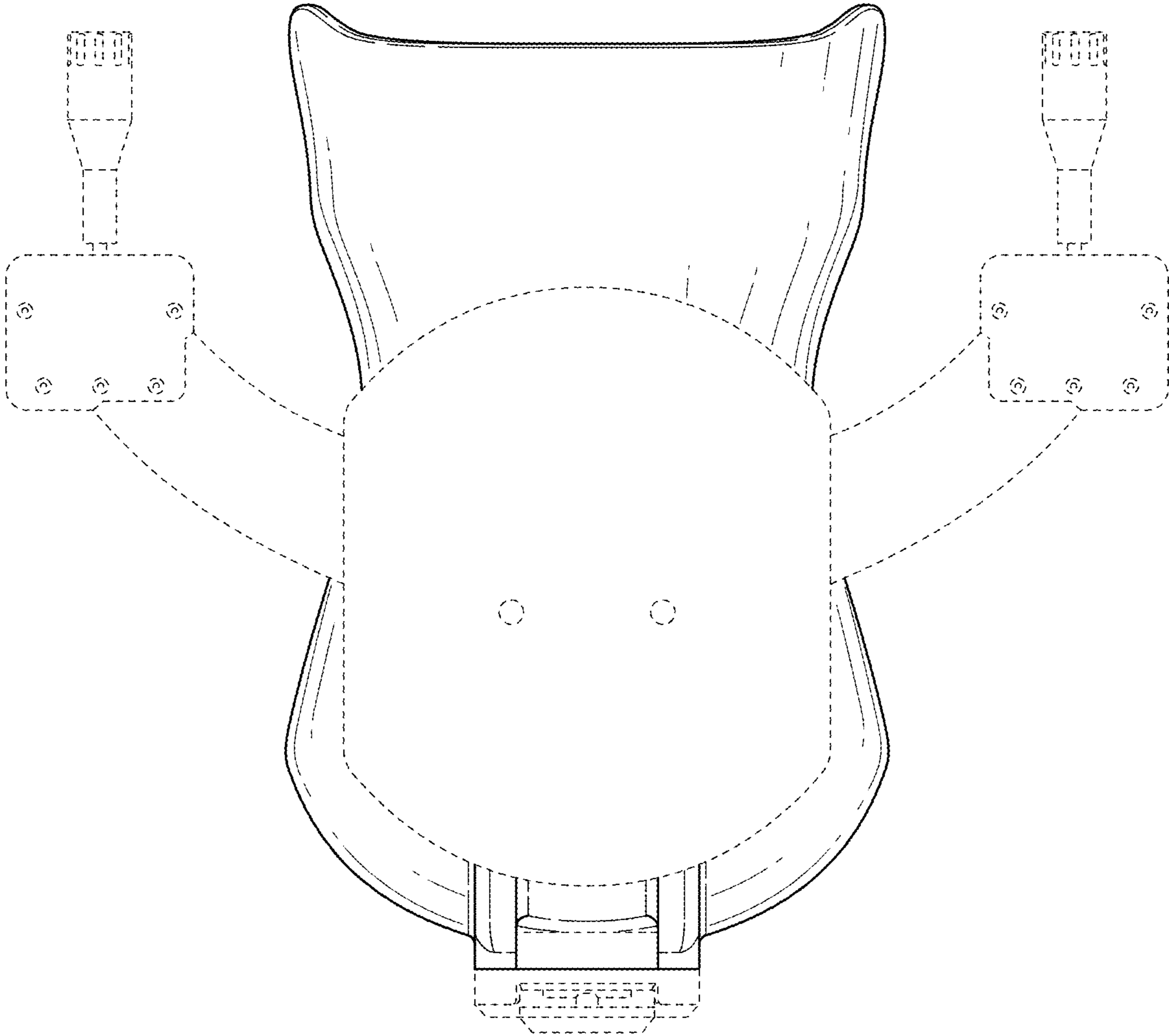


FIG. 10