



US00D888959S

(12) **United States Design Patent**  
**Bendzsel**

(10) **Patent No.:** **US D888,959 S**  
(45) **Date of Patent:** **\*\* Jun. 30, 2020**

(54) **GAS THERAPY SEATING APPARATUS FOR  
TRANSCUTANEOUS TREATMENT**

(71) Applicants: **Zsolt Berta**, Batonyterenye (HU); **Bela Erno Toth**, Budapest (HU)

(72) Inventor: **Tamas Bendzsel**, Budapest (HU)

(73) Assignees: **Zsolt Zoltan Berta**, Batonyterenye (HU); **Bela Erno Toth**, Budapest (HU)

(\*\*) Term: **15 Years**

(21) Appl. No.: **29/697,779**

(22) Filed: **Jul. 11, 2019**

**Related U.S. Application Data**

(63) Continuation of application No. 29/612,690, filed on Aug. 3, 2017, now abandoned.

(30) **Foreign Application Priority Data**

Feb. 3, 2017 (EM) ..... 003737915-0001

(51) **LOC (12) Cl.** ..... **24-02**

(52) **U.S. Cl.**  
USPC ..... **D24/164**

(58) **Field of Classification Search**  
USPC ..... D24/164, 110.4, 110, 108, 163; D23/360  
CPC .... A63B 21/0085; A61M 16/14; A61M 11/06  
See application file for complete search history.

(56) **References Cited**

**U.S. PATENT DOCUMENTS**

3,572,660 A \* 3/1971 Mahon ..... A61M 11/06  
261/78.2  
D635,245 S \* 3/2011 Virr ..... D24/110  
D643,114 S \* 8/2011 Virr ..... D24/110

D651,715 S \* 1/2012 Dougherty, IV ..... D24/163  
8,468,839 B2 \* 6/2013 Whitcher ..... A61M 16/14  
62/48.1  
D693,005 S \* 11/2013 Nawata ..... D24/164  
D729,936 S \* 5/2015 Reback ..... D24/164  
D730,525 S \* 5/2015 Acker ..... D24/164  
9,180,340 B2 \* 11/2015 Hsieh ..... A63B 21/0085  
D752,228 S \* 3/2016 Verma ..... D24/164  
D756,519 S \* 5/2016 Adams ..... D24/164  
D763,434 S \* 8/2016 Flickinger ..... D24/108  
D774,178 S \* 12/2016 Van Sickle ..... D24/110  
D774,180 S \* 12/2016 Wu ..... D24/110  
D778,429 S \* 2/2017 Engelbreth ..... D24/110  
D790,683 S \* 6/2017 Formica ..... D24/108  
D798,428 S \* 9/2017 Cork ..... D23/360  
D800,895 S \* 10/2017 Prentice ..... D24/110.4  
D806,857 S \* 1/2018 Hua ..... D24/110  
D809,127 S \* 1/2018 Atkin ..... D24/110  
D809,647 S \* 2/2018 Jensen ..... D24/110  
D824,019 S \* 7/2018 Warby ..... D24/110  
D824,022 S \* 7/2018 Prentice ..... D24/110.4

\* cited by examiner

*Primary Examiner* — Rhea Shields

(57) **CLAIM**

The ornamental design for a gas therapy seating apparatus for transcutaneous treatment, as shown and described.

**DESCRIPTION**

FIG. 1 is a right side perspective view thereof;  
FIG. 2 is front right side perspective view thereof;  
FIG. 3 is a front left side perspective view thereof;  
FIG. 4 is a left side and rear perspective view thereof;  
FIG. 5 is a rear and right side perspective view thereof;  
FIG. 6 is a top, right side and front perspective view thereof showing an inner seat structure thereof; and,  
FIG. 7 is a top and rear perspective view thereof showing the inner seat structure.

**1 Claim, 7 Drawing Sheets**

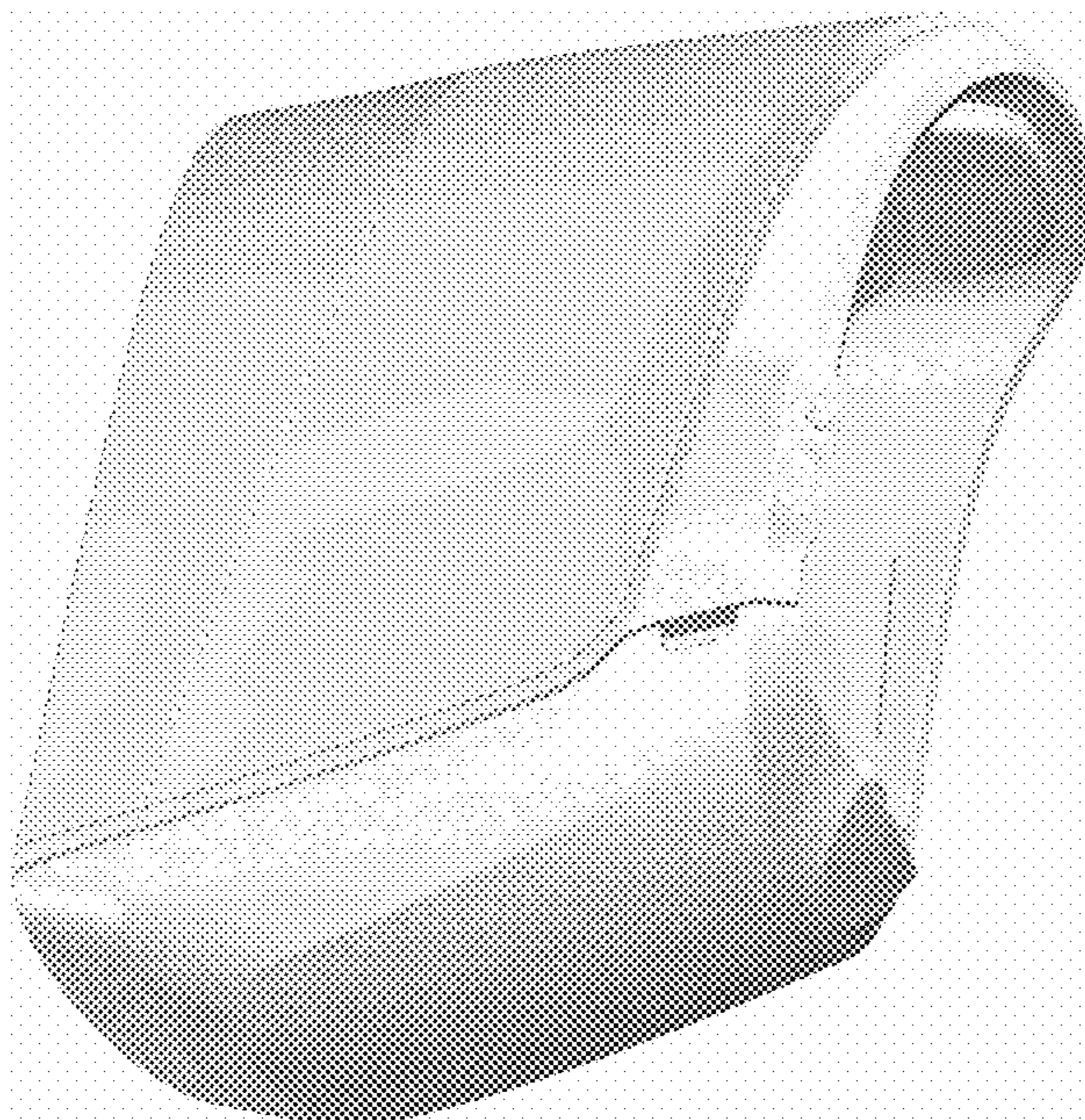




FIG. 1

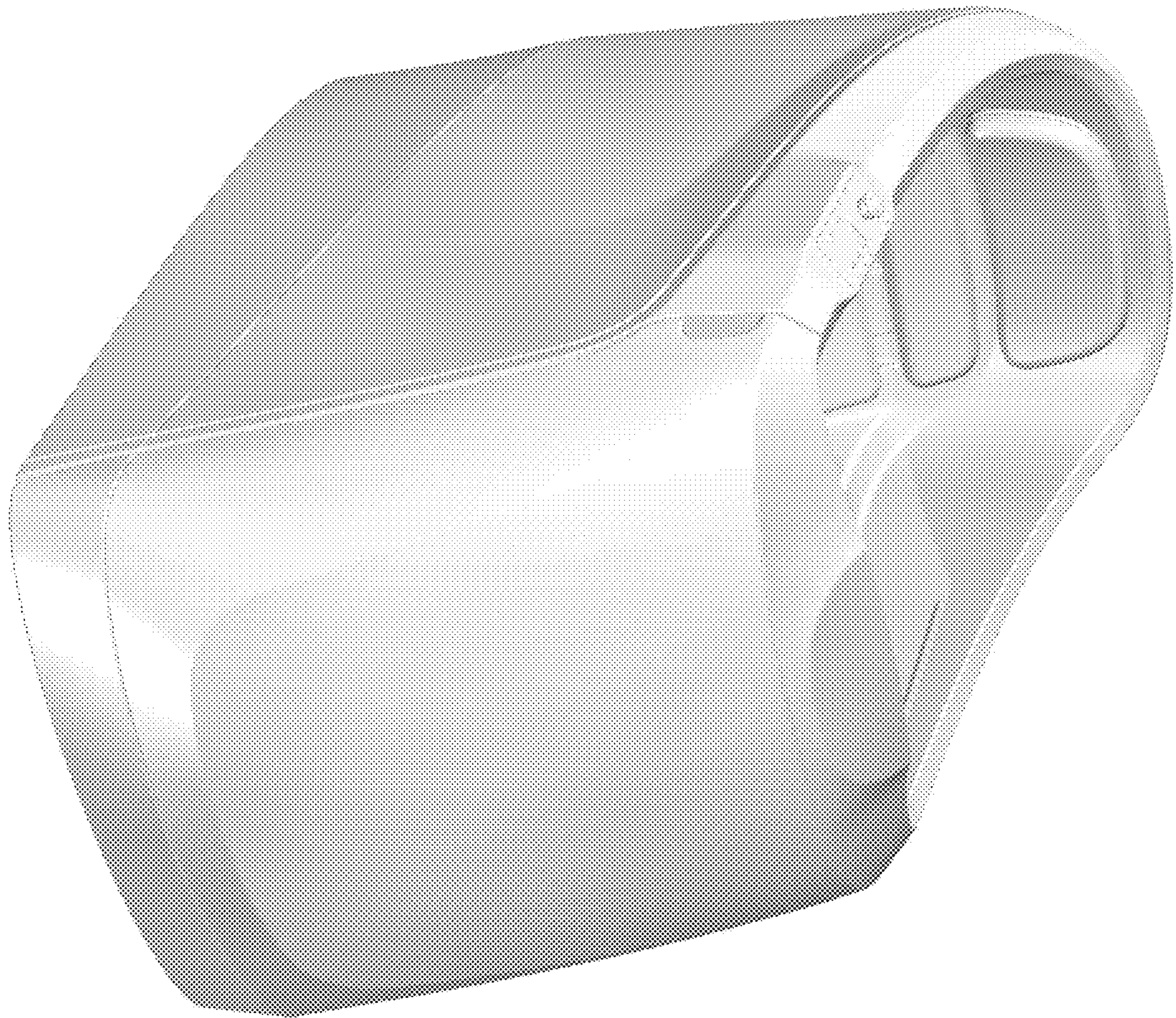


FIG. 2



FIG. 3

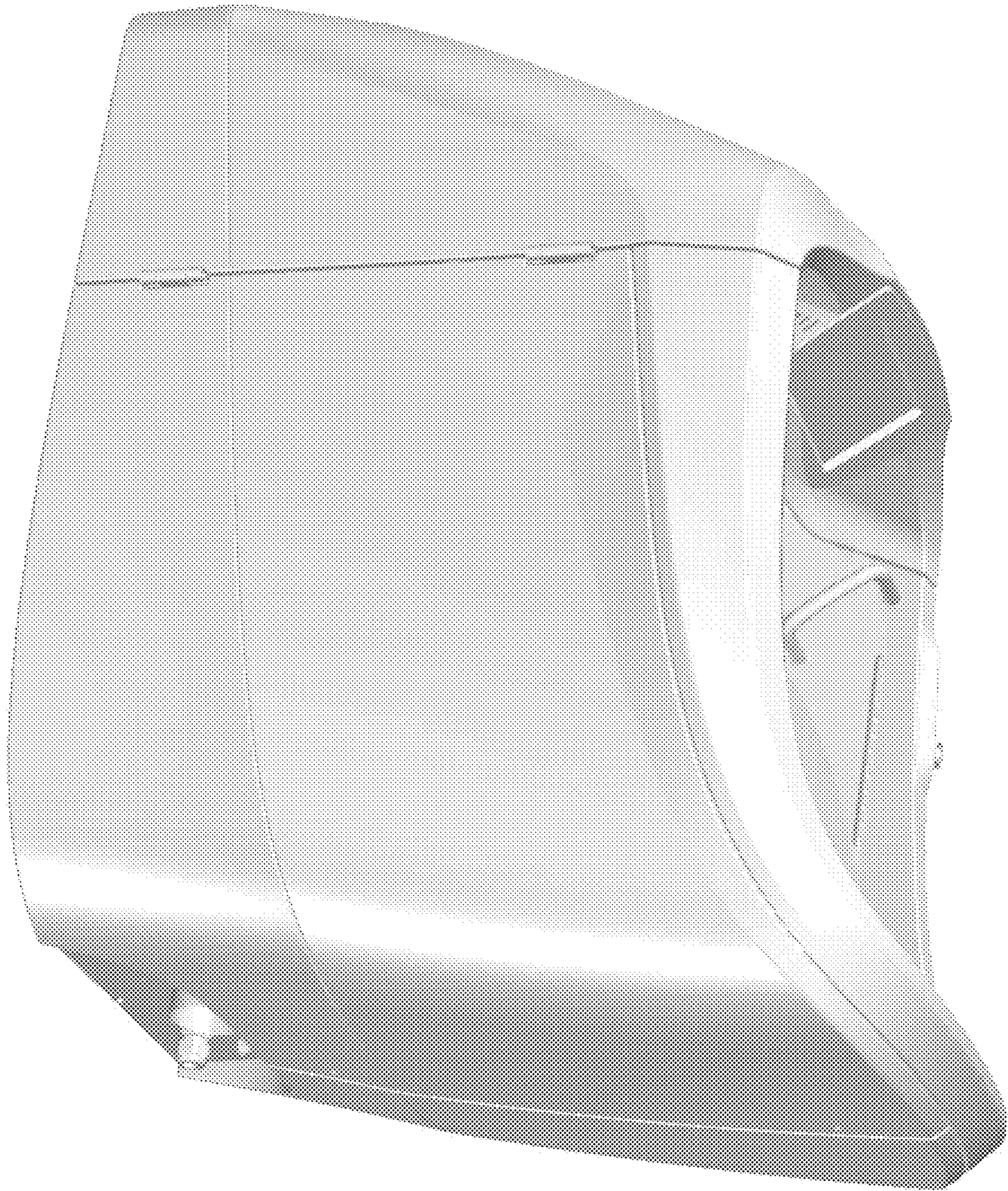


FIG. 4

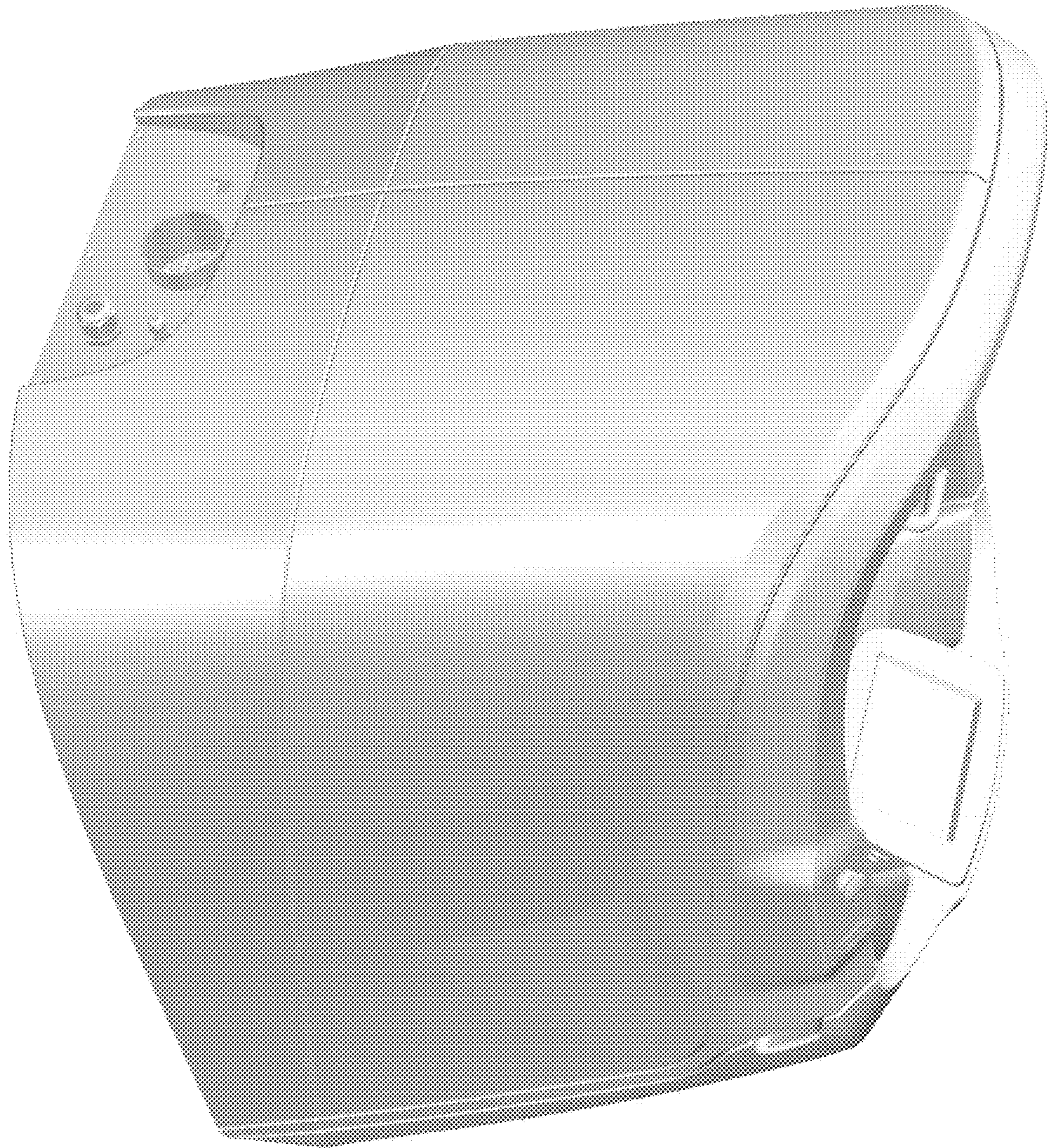


FIG. 5

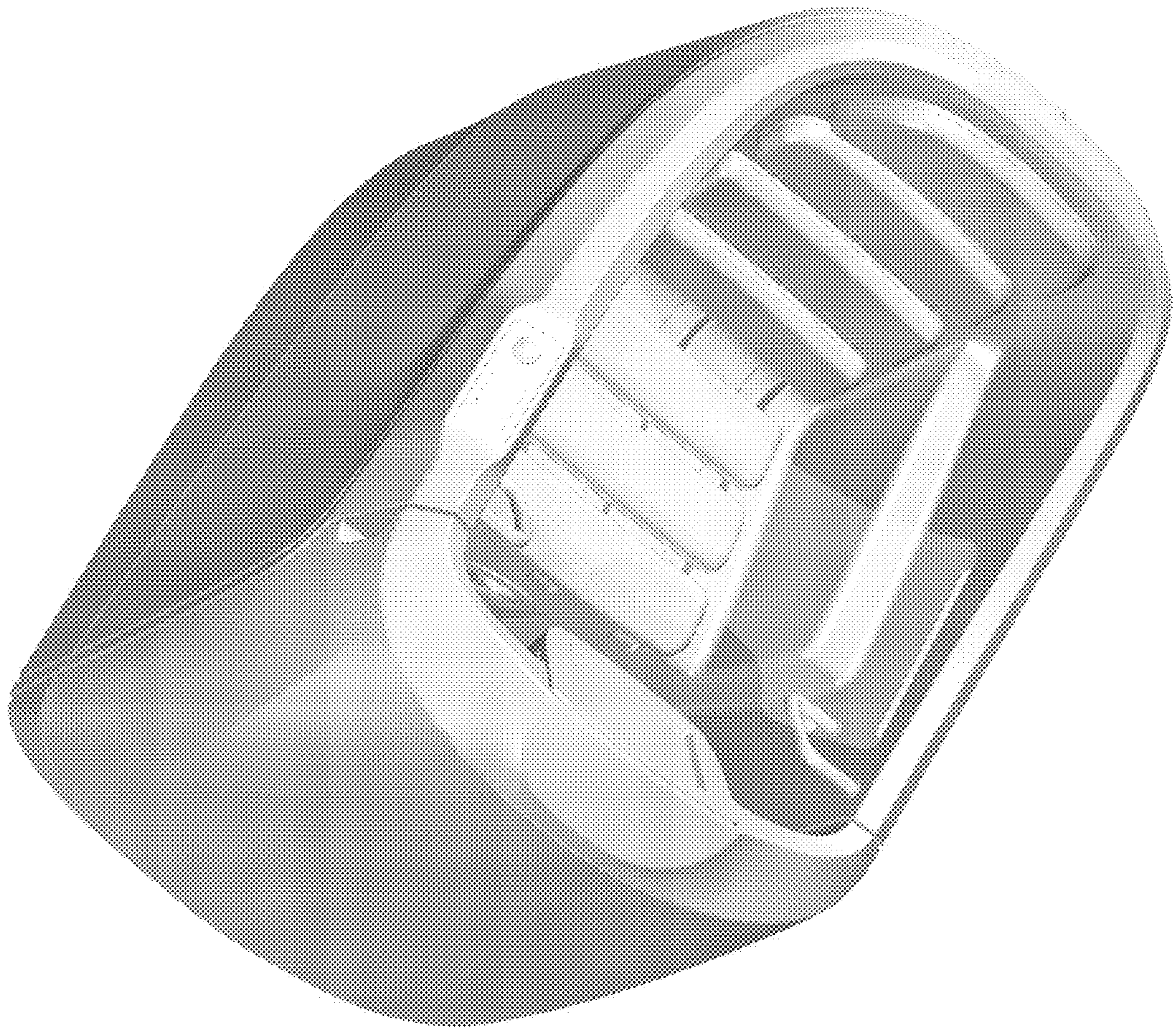


FIG. 6

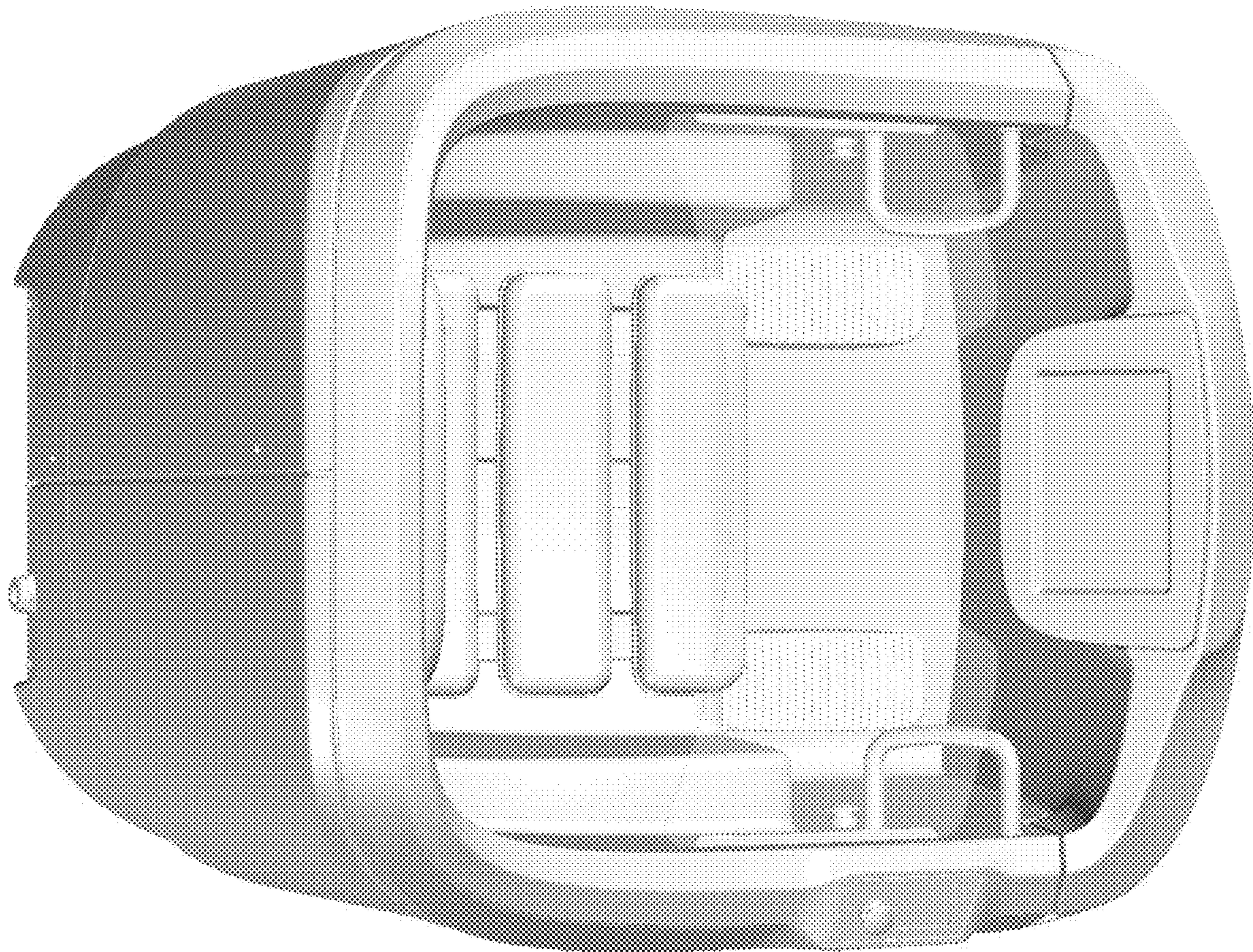


FIG. 7