



US00D888956S

(12) **United States Design Patent**  
**Baeten et al.**

(10) **Patent No.:** **US D888,956 S**  
(45) **Date of Patent:** **\*\* Jun. 30, 2020**

- (54) **INSERT FOR PIEZOELECTRIC DENTAL SCALING**
- (71) Applicant: **Inter-Med, Inc.**, Racine, WI (US)
- (72) Inventors: **John Baeten**, Muskego, WI (US);  
**Alexander Johnson**, Mount Pleasant, WI (US); **Brett Arand**, Milwaukee, WI (US)
- (73) Assignee: **Inter-Med, Inc.**, Racine, WI (US)
- (\*\*) Term: **15 Years**
- (21) Appl. No.: **29/648,024**
- (22) Filed: **May 17, 2018**
- (51) **LOC (12) Cl.** ..... **24-02**
- (52) **U.S. Cl.**  
USPC ..... **D24/152**
- (58) **Field of Classification Search**  
USPC ..... D24/152, 144, 146, 127; 433/118–119,  
433/141–144, 165, 125, 31  
CPC .... A61C 3/03; A61C 3/02; A61C 1/07; A61C  
17/20  
See application file for complete search history.

(56) **References Cited**

**U.S. PATENT DOCUMENTS**

6,312,256	B1 *	11/2001	Dieras	.....	A61C 3/03 433/118
D660,429	S *	5/2012	Dauphin	.....	D24/144
10,213,276	B2 *	2/2019	Doussin	.....	A61C 3/03
2007/0224575	A1 *	9/2007	Dieras	.....	A61C 17/20 433/119
2007/0254262	A1 *	11/2007	Doussin	.....	A61C 3/03 433/119
2008/0248444	A1 *	10/2008	Bahcall	.....	A61C 3/03 433/119
2008/0254409	A1 *	10/2008	Hwang	.....	A61C 3/03 433/143
2010/0240006	A1 *	9/2010	Kwon	.....	A61C 3/03 433/143
2014/0057225	A1 *	2/2014	Capelli	.....	A61C 3/03 433/86

\* cited by examiner

*Primary Examiner* — Wan Laymon  
(74) *Attorney, Agent, or Firm* — Barnes & Thornburg LLC

(57) **CLAIM**

We claim the ornamental design for an insert for piezoelectric dental scaling, as shown and described.

**DESCRIPTION**

FIG. 1 is a perspective view of a first embodiment of an insert for piezoelectric dental scaling;  
 FIG. 2 is an exploded view thereof showing a collar piece thereof with internal threading and hex and cylindrical elements, and a tip piece thereof with a chamfer-cornered square element projecting from a cylindrical shoulder element;  
 FIG. 3 is right side elevation view thereof, where a left side elevation view is a mirror image of FIG. 3;  
 FIG. 4 is a front elevation view thereof;  
 FIG. 5 is a longitudinal section view from the right side elevation of FIG. 3, taken along line 5-5 of FIG. 4;  
 FIG. 6 is a bottom plan view thereof;  
 FIG. 7 is a side elevation view of a collar piece with hex-geometry for the insert for piezoelectric dental scaling, where each other side elevation view appears the same;  
 FIG. 8 is a top end plan view thereof;  
 FIG. 9 is perspective view thereof;  
 FIG. 10 is a bottom end plan view thereof; and,  
 FIG. 11 is a longitudinal section view of a hex-geometry collar piece along line 11-11 of FIG. 10.  
 The broken lines immediately adjacent to the claimed areas represent the bounds of the claimed design while all other broken lines are directed to environment and are for illustrative purposes only; the broken lines form no part of the claimed design.

**1 Claim, 5 Drawing Sheets**

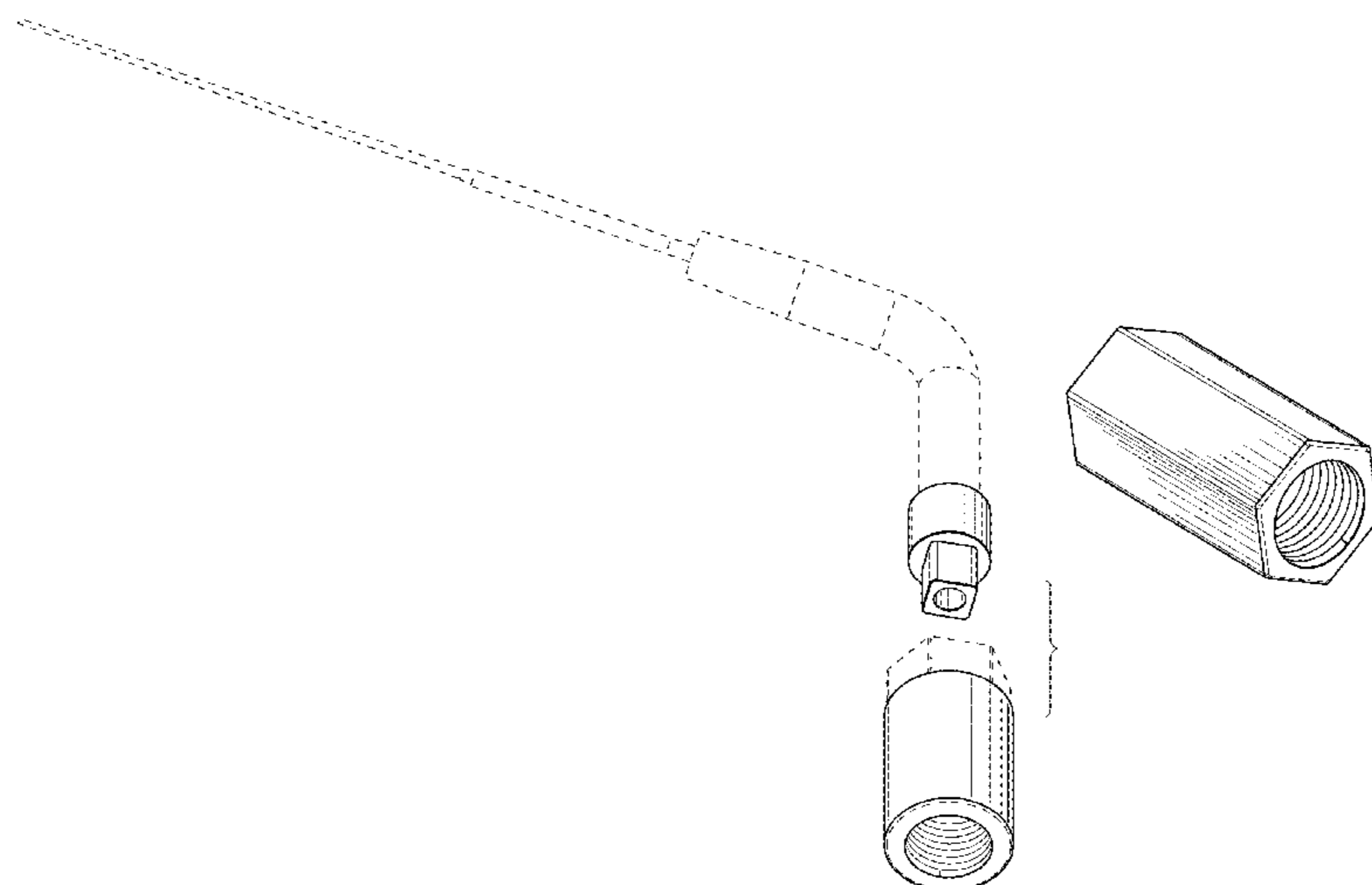
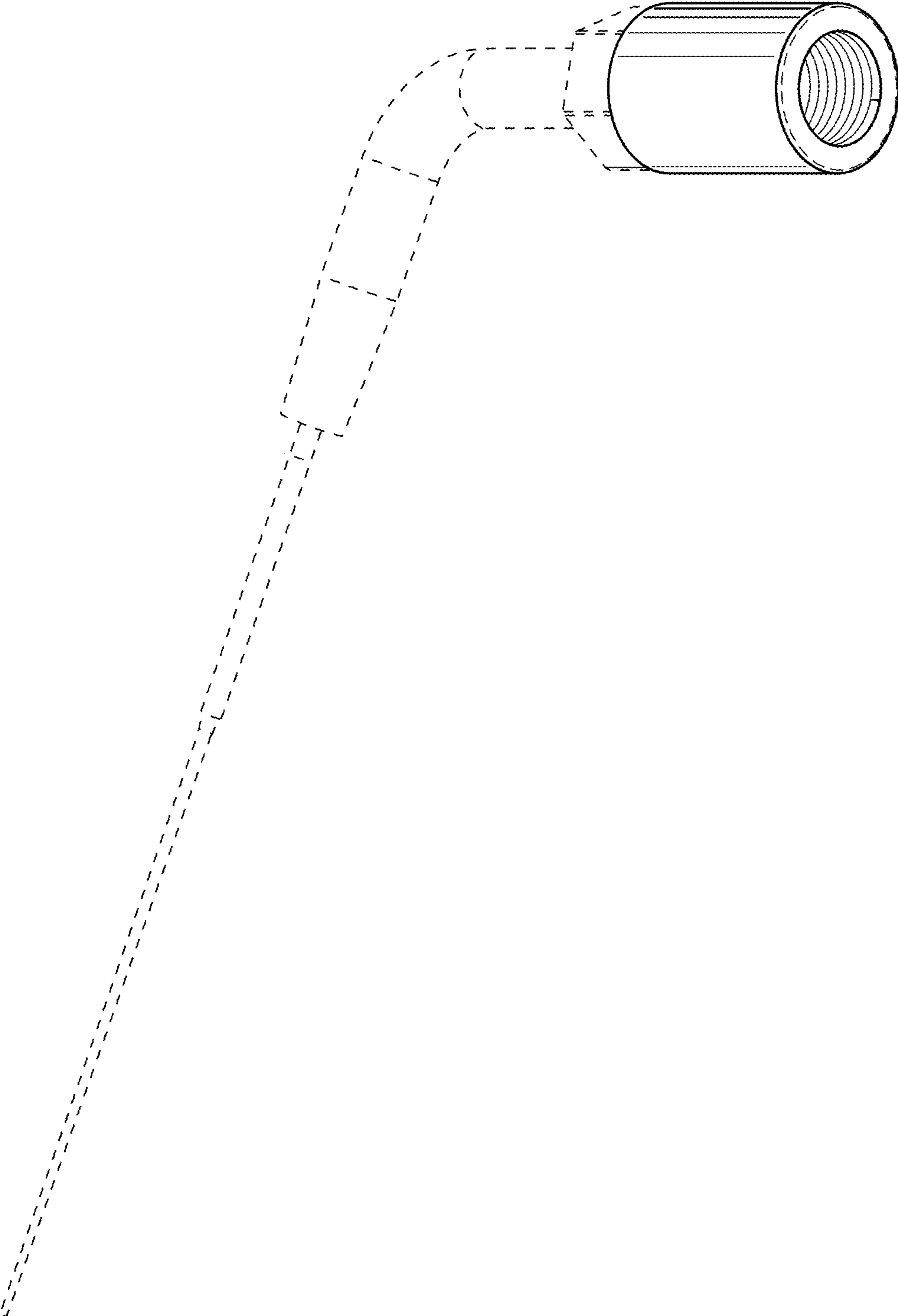


FIG. 1



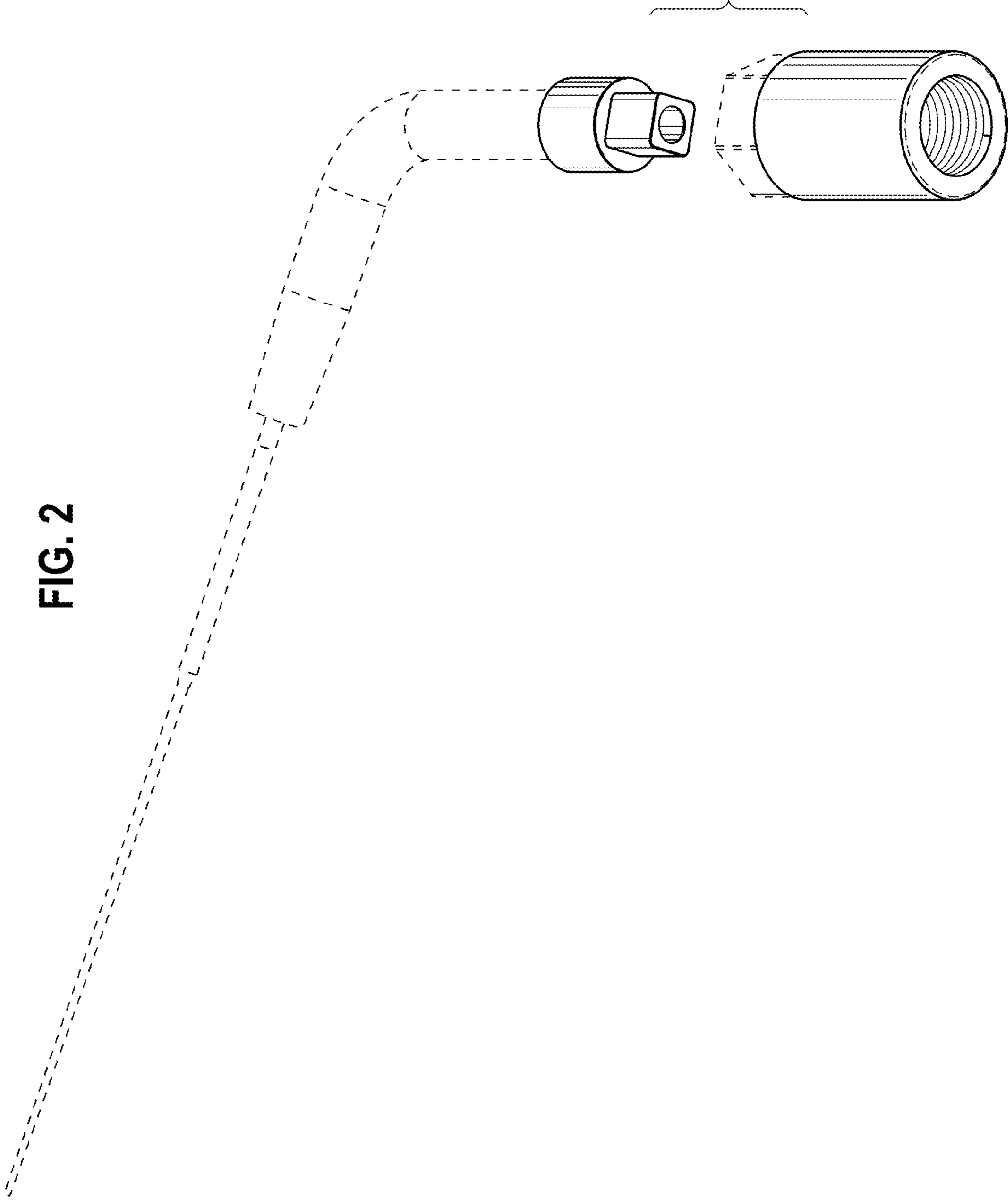
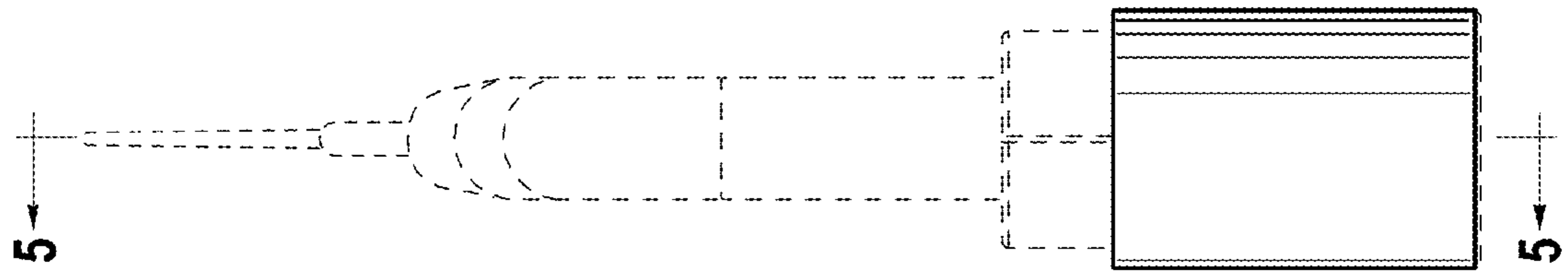


FIG. 2

**FIG. 4**



**FIG. 3**

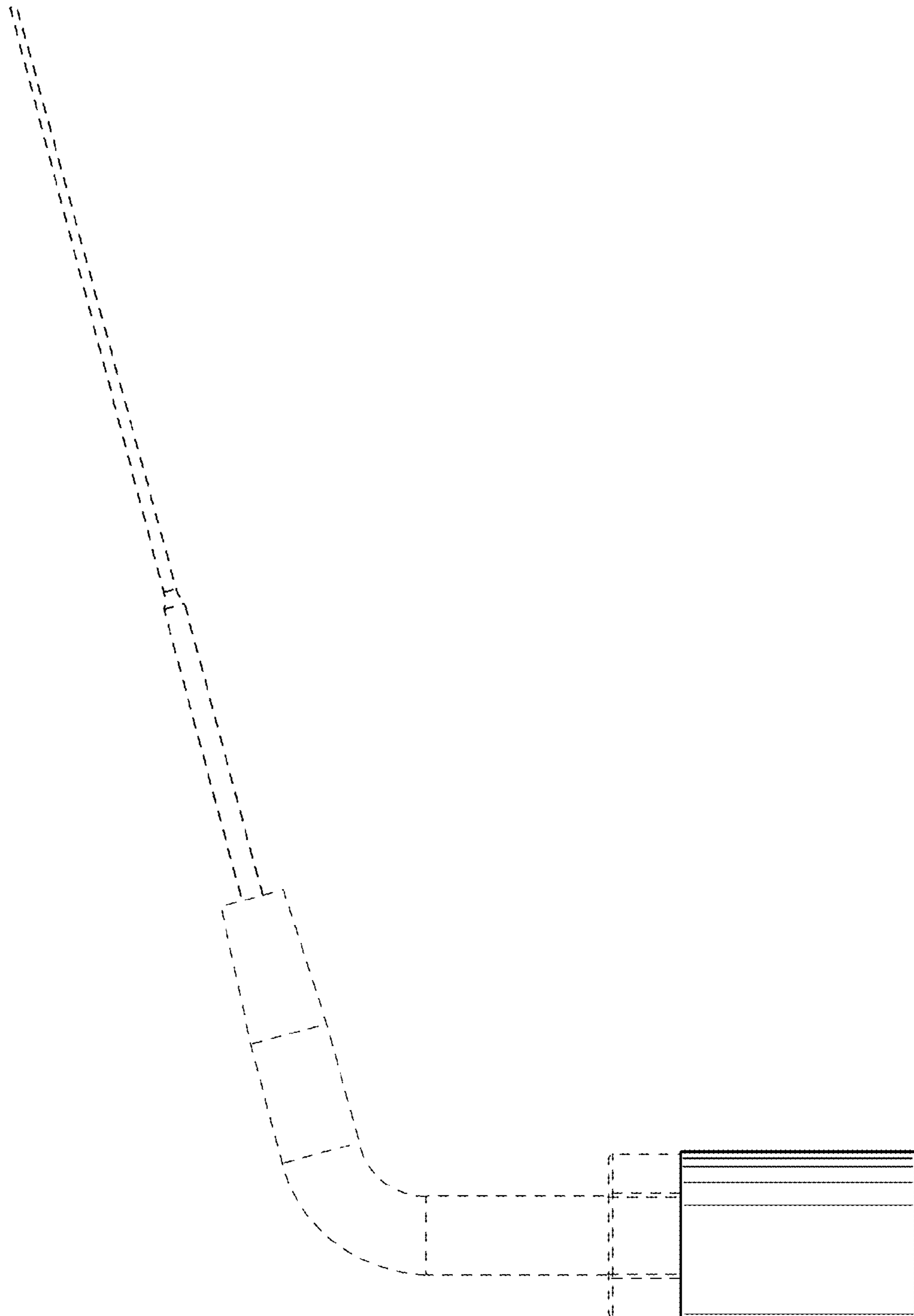


FIG. 5

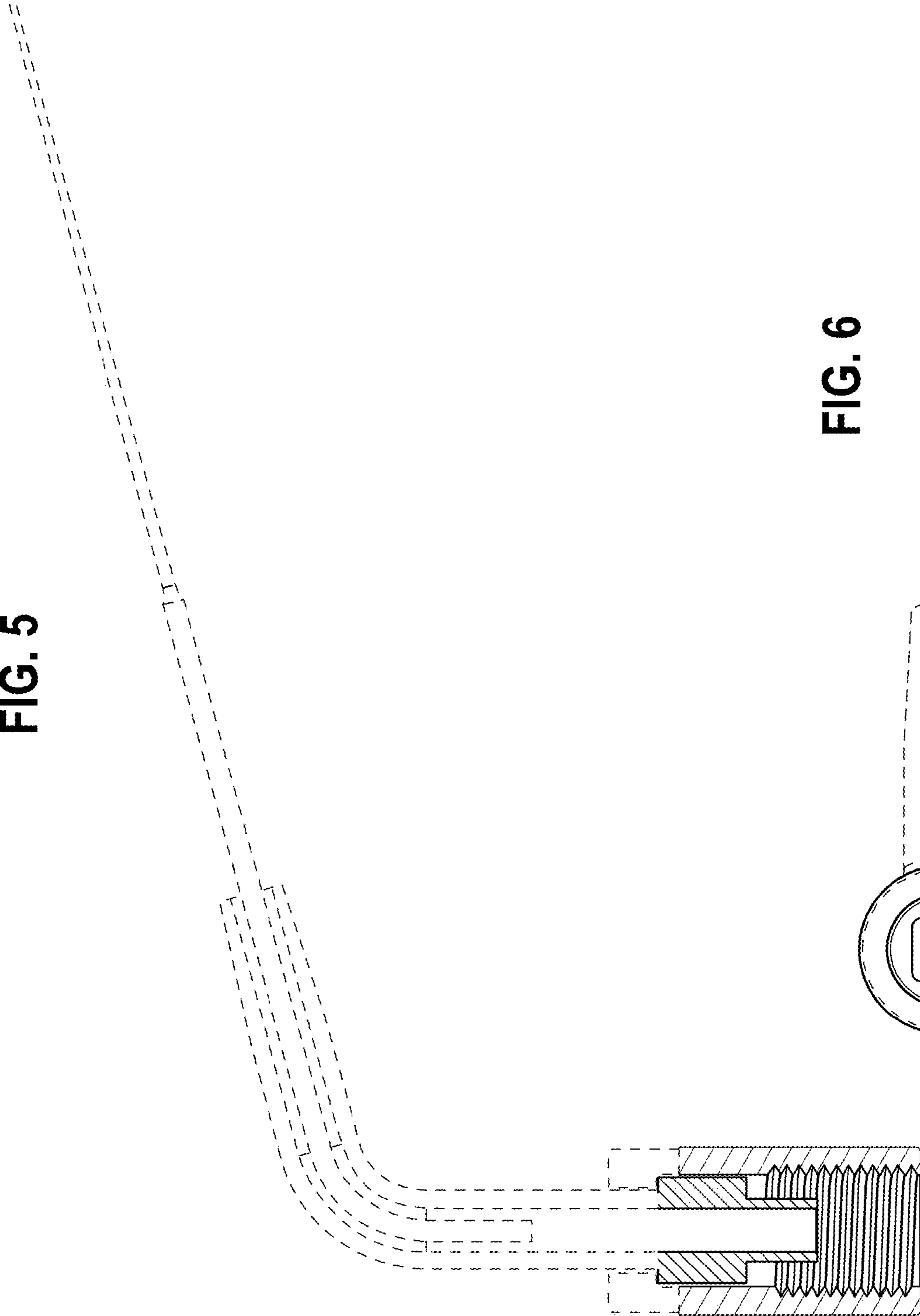
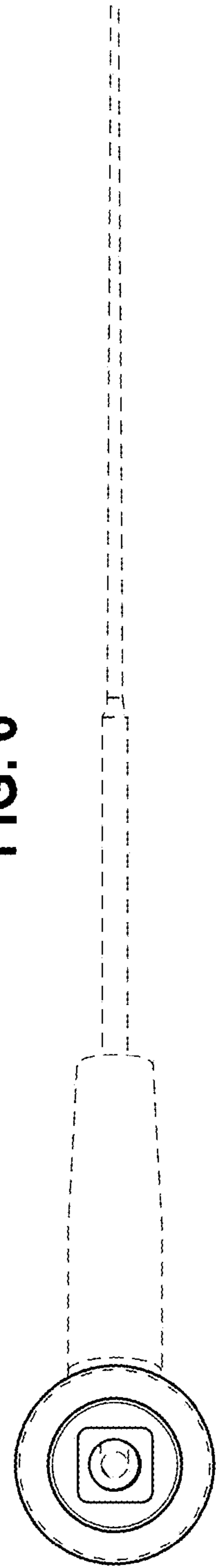
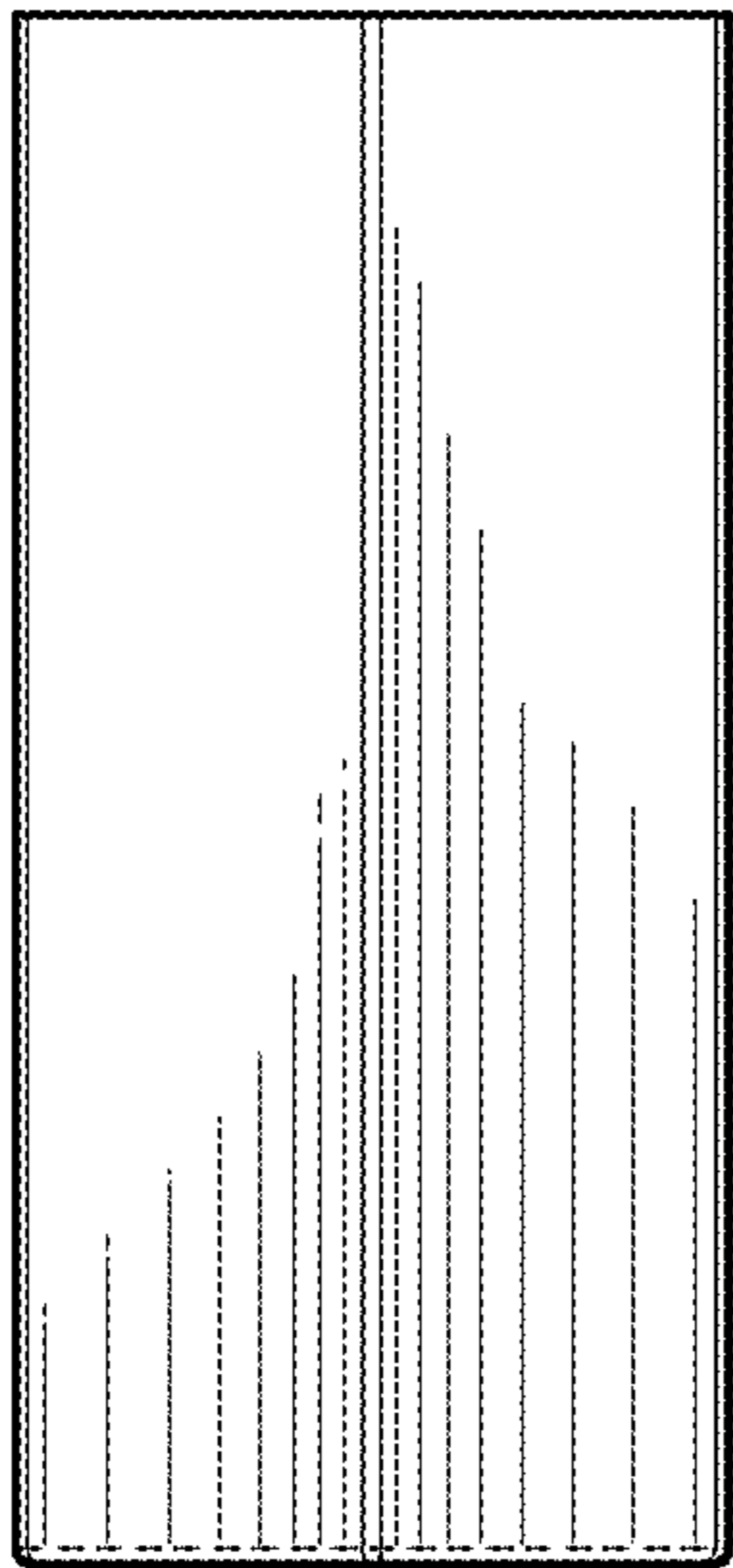


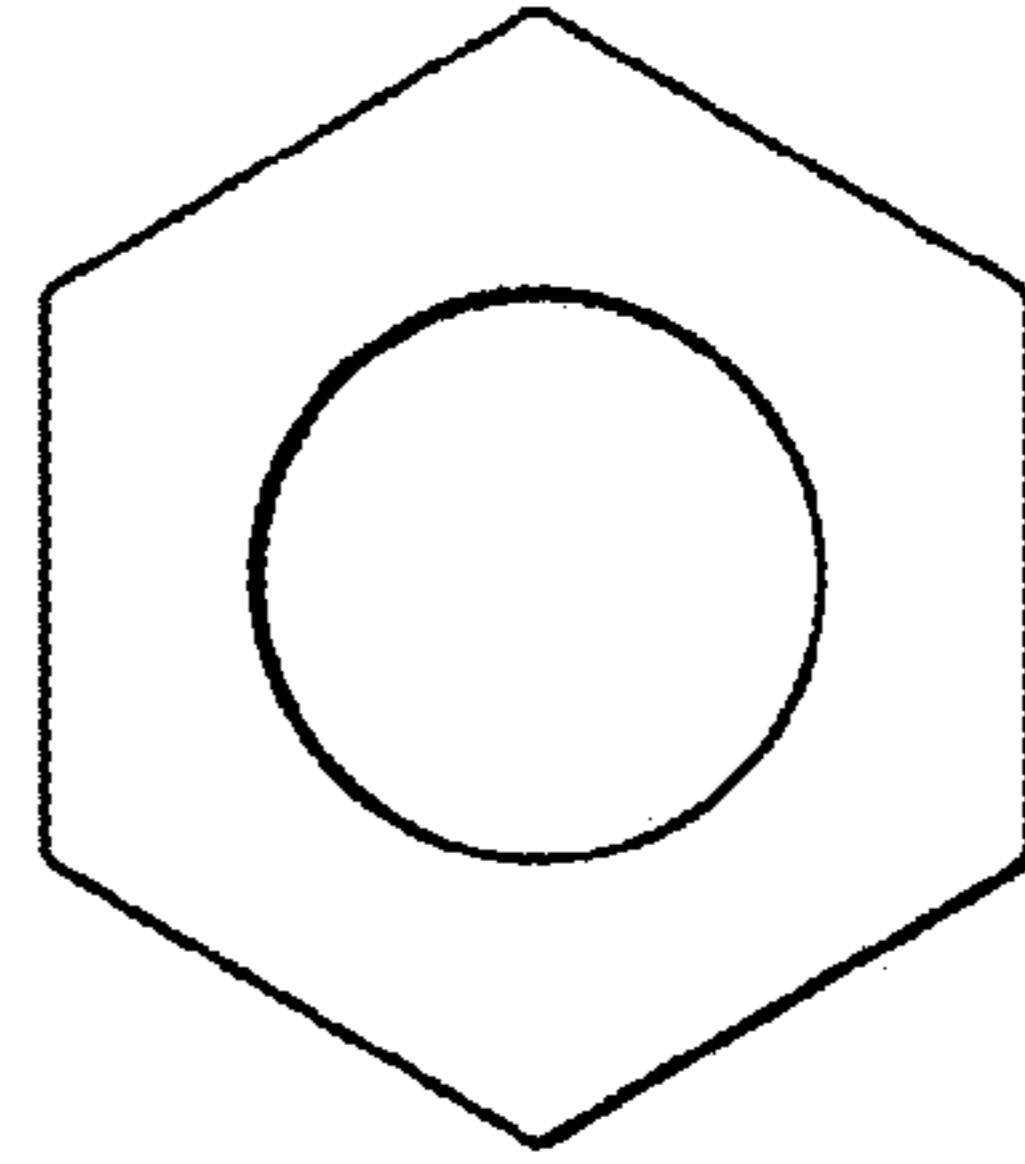
FIG. 6



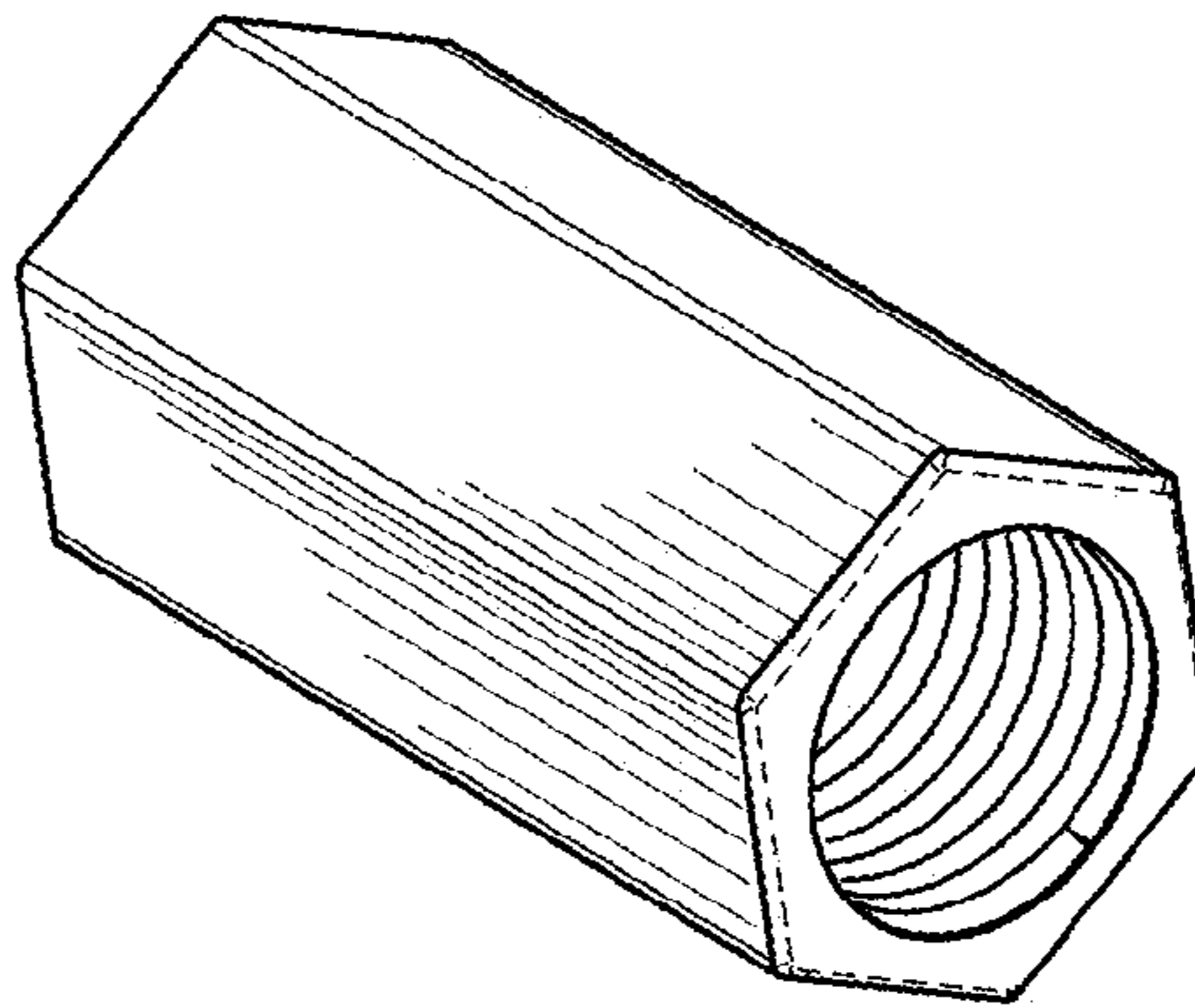
**FIG. 7**



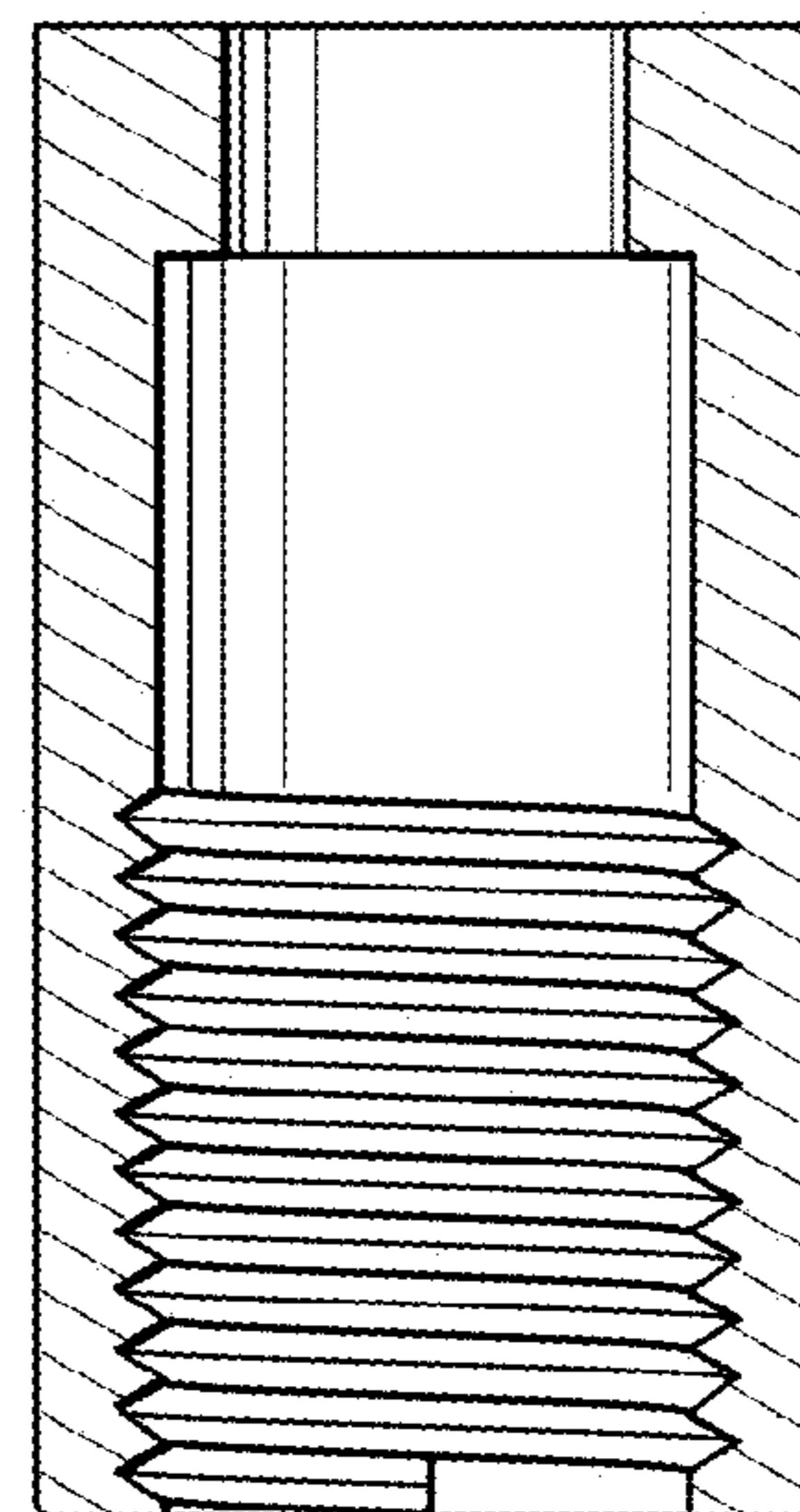
**FIG. 8**



**FIG. 9**



**FIG. 11**



**FIG. 10**

