



US00D888955S

(12) **United States Design Patent** (10) **Patent No.:** **US D888,955 S**
Qun (45) **Date of Patent:** **** Jun. 30, 2020**

(54) **ULTRASONIC CUTTER HEAD**
(71) Applicant: **BEIJING SMTP TECHNOLOGY CO., LTD.**, Beijing (CN)
(72) Inventor: **Cao Qun**, Beijing (CN)
(73) Assignee: **BEIJING SMTP TECHNOLOGY CO., LTD.**, Beijing (CN)
(**) Term: **15 Years**
(21) Appl. No.: **29/635,591**
(22) Filed: **Jan. 31, 2018**
(51) **LOC (12) Cl.** **24-02**
(52) **U.S. Cl.**
USPC **D24/146**
(58) **Field of Classification Search**
USPC D24/108, 133, 150, 152, 155, 176, 210, D24/231, 216, 232, 185, 186, 104, D24/112-114, 117-119, 127, 141, 144, D24/146, 147, 148, 188, 207, 200, 209, D24/215, 171; D15/21, 22, 23, 24, 25, D15/26, 27, 28, 29, 138, 139, 140; D8/70, 95, 96, 98; D25/126; D28/7, 9, D28/20
CPC B23B 51/02; B23B 51/08; B23B 51/10; B23B 51/00; B23B 2251/50; B23B 2251/18; B23B 2251/46; B23B 2222/28; B23B 2240/08; Y10S 408/713; Y10T 407/26; Y10T 408/9097; Y10T 408/899; Y10T 408/90; A61C 3/02; A61C 8/0089; A61C 1/07; A61B 17/3213; A61B 17/3417; A61B 17/14; A61B 17/142; A61B 17/320016; A61B 17/32002; A61B 17/3211; A61B 2017/00473; A61B 2017/320032; A61B 2017/32113; A61B 2017/32116; A61B 2017/3454; A61B 2018/1412; A61B 90/30; A61B 17/144; A61B 17/1615; A61B 17/162; A61B 17/1624; A61B 17/1633; A61B 17/1637;
(Continued)

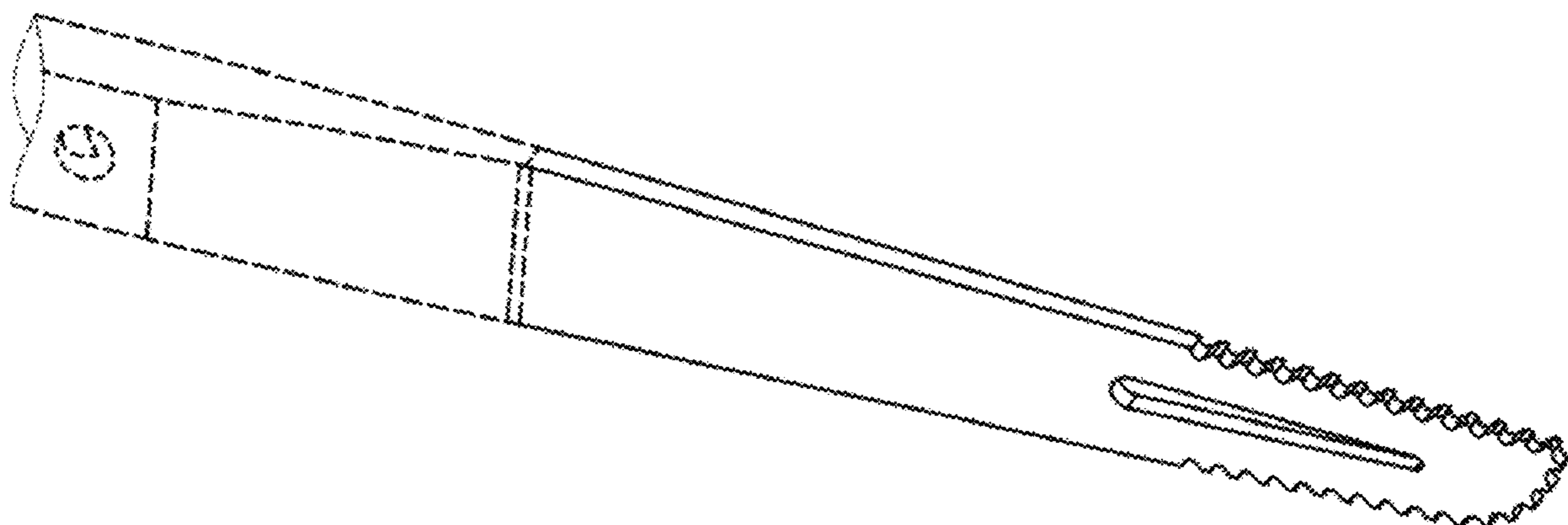
(56) **References Cited**
U.S. PATENT DOCUMENTS
2,845,072 A * 7/1958 Shafer A61B 17/320068
606/169
3,262,205 A * 7/1966 Arden A61B 17/3213
30/338
(Continued)

OTHER PUBLICATIONS
Sonopet Ultrasonic Applicator <https://neurosurgical.stryker.com/wp-content/uploads/2016/09/SONOPET-catalog-brochure.pdf> 2016 (Year: 2016).*
Primary Examiner — Samantha Q Lawrence
(74) *Attorney, Agent, or Firm* — Maschoff Brennan

(57) **CLAIM**
The ornamental design for an ultrasonic cutter head, as shown and described.

DESCRIPTION
FIG. 1 is a top, front, and left side perspective view of an ultrasonic cutter head, showing our new design;
FIG. 2 is a top plan view thereof;
FIG. 3 is a left side view thereof;
FIG. 4 is a right side view thereof;
FIG. 5 is a bottom plan view thereof;
FIG. 6 is a front elevational view thereof;
FIG. 7 is a rear elevational view thereof; and,
FIG. 8 is a perspective view thereof.
The broken lines shown in FIGS. 1-8 that are directly adjacent to the claimed edge of the ultrasonic cutter head illustrate boundaries and form no part of the claimed design. The additional broken lines shown in FIGS. 1-8 illustrate portions of the ultrasonic cutter head that form no part of the claimed design. Further, the additional broken lines shown in FIG. 8 illustrate environment and form no part of the claimed design.

1 Claim, 6 Drawing Sheets



(58) **Field of Classification Search**

CPC . A61B 17/1659; A61B 17/16; A61B 17/1604;
A61B 2017/00261; A61B 2017/320075;
A61B 2017/32007; A61B 2017/320077;
A61B 2217/007; A61B 17/1642; A61B
17/1671; B23D 77/02; B23D 61/006;
B23D 61/121; B23P 15/32; B27B 19/006

See application file for complete search history.

(56) **References Cited**

U.S. PATENT DOCUMENTS

D359,356 S * 6/1995 Werner D24/141
5,938,675 A * 8/1999 Gharibian A61B 17/3213
30/151
D479,106 S * 9/2003 Robertsson D8/20
D624,185 S * 9/2010 McGinley D24/146
D637,876 S * 5/2011 Williams D8/20
D667,117 S * 9/2012 Darian D24/144
8,343,178 B2 * 1/2013 Novak A61B 17/320068
606/169
D680,218 S * 4/2013 Darian D24/144
8,850,662 B2 * 10/2014 Gitman A61B 17/3213
16/430
9,387,005 B2 * 7/2016 Voic A61B 17/14
2016/0128711 A1 * 5/2016 Cao A61B 17/3209
606/84
2018/0290286 A1 * 10/2018 Scimone B25G 3/28
2019/0099210 A1 * 4/2019 Eggers A61B 18/10
2019/0159864 A1 * 5/2019 Hyun A61C 1/084
2019/0201163 A1 * 7/2019 Buist, Sr. A61C 1/084
2019/0240751 A1 * 8/2019 Skolnick B23D 61/123
2019/0343537 A1 * 11/2019 Fennessy A61L 31/022

* cited by examiner

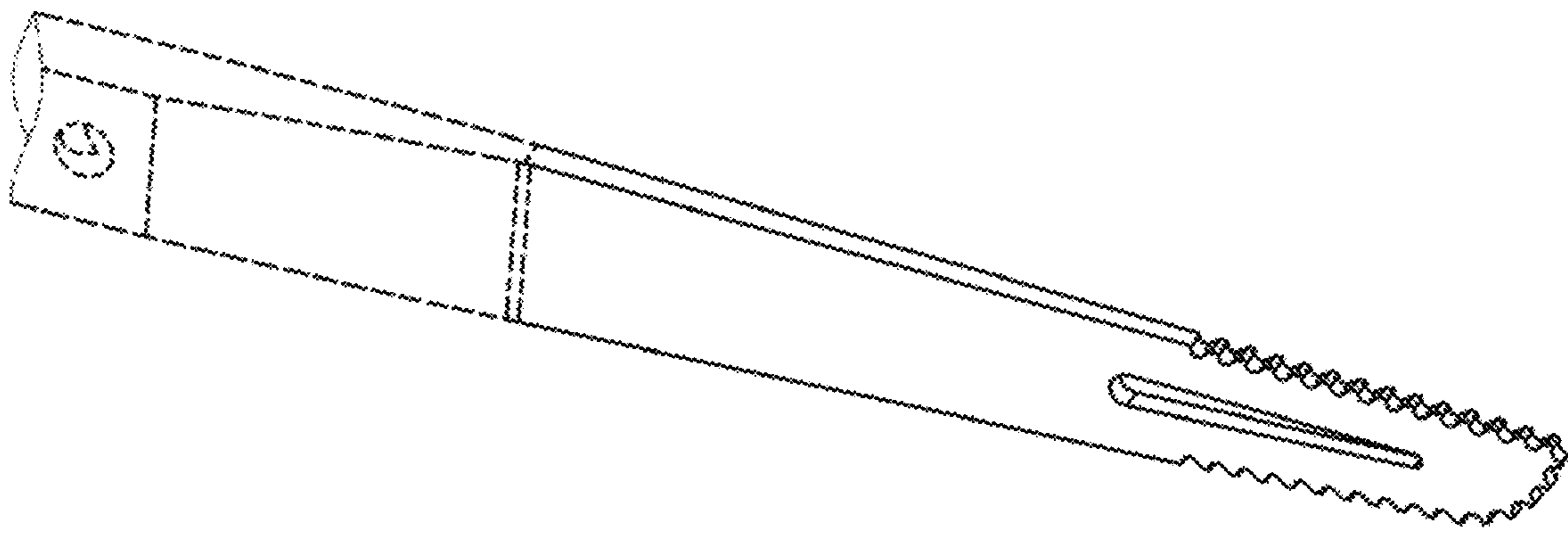


Fig.1

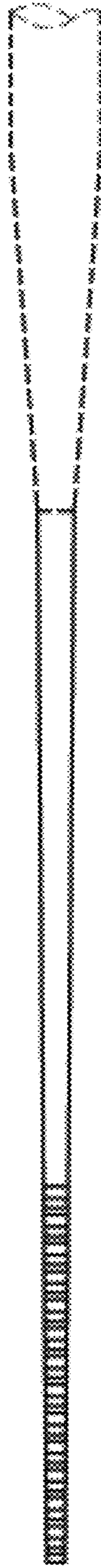


Fig.2



Fig.3



Fig.4

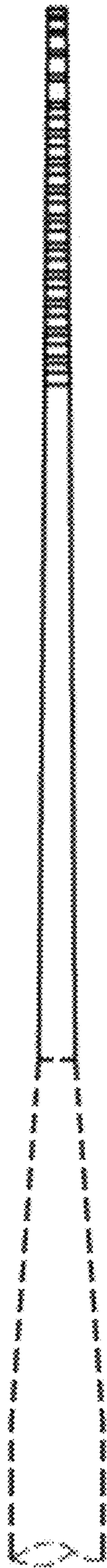


Fig.5

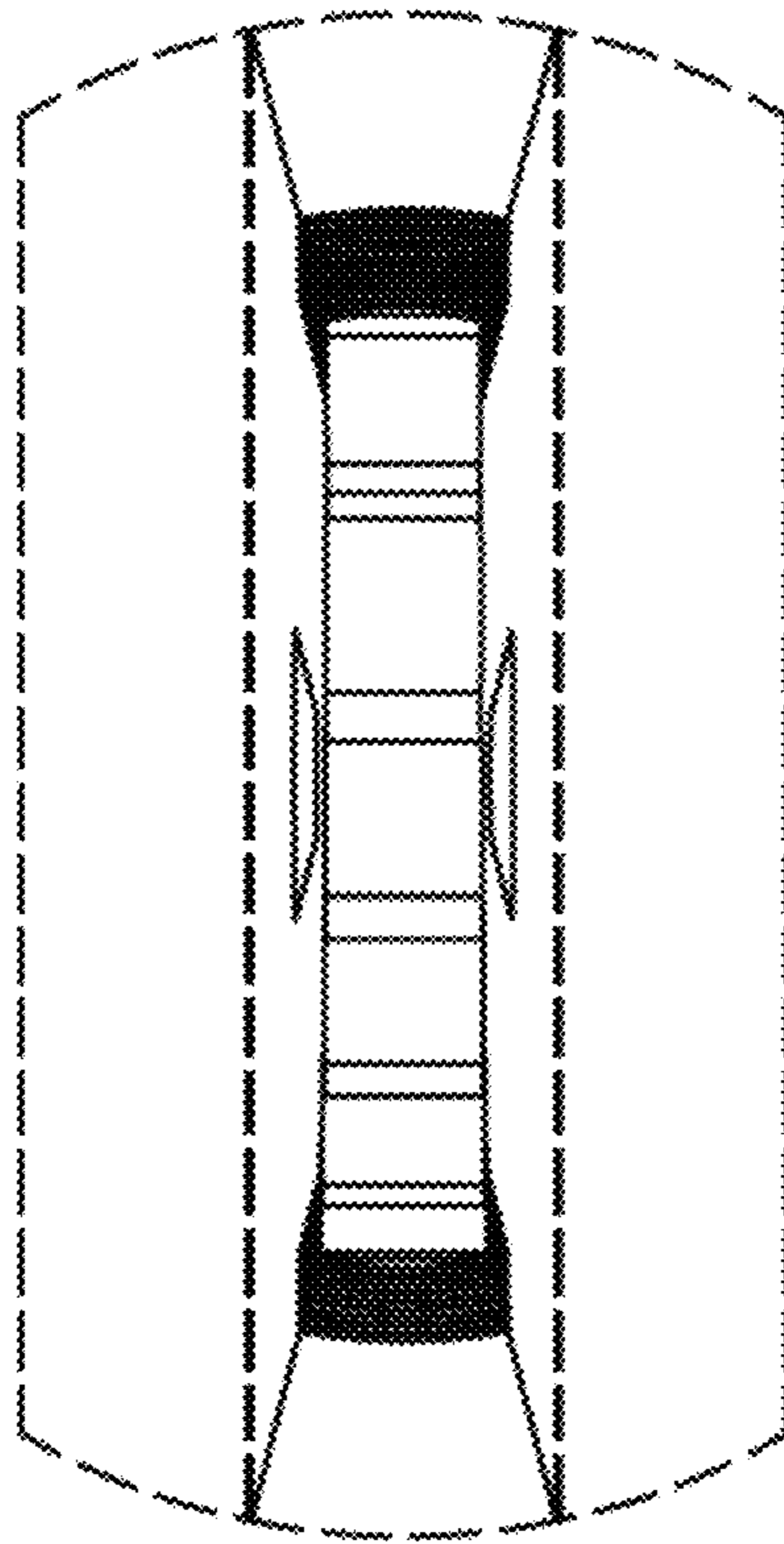


Fig.6

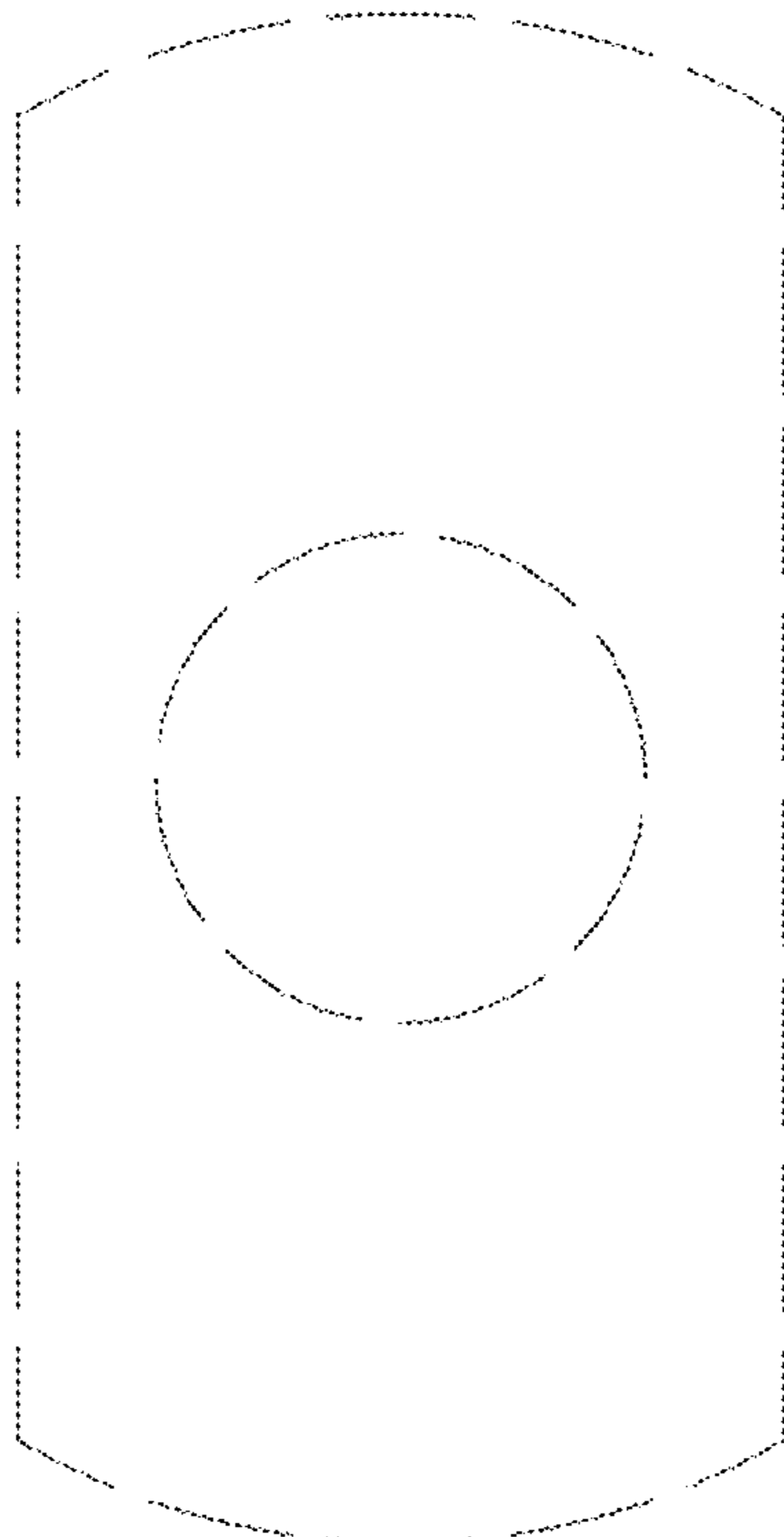


Fig.7

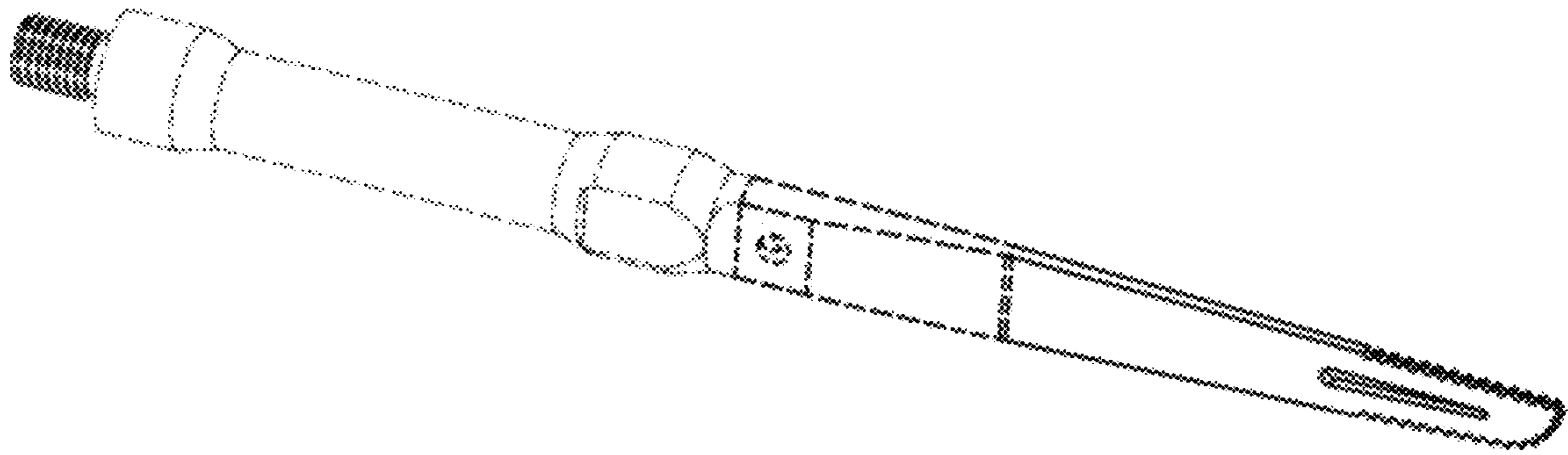


Fig.8