



US00D888954S

(12) **United States Design Patent** (10) **Patent No.:** **US D888,954 S**
Ahn (45) **Date of Patent:** **** Jun. 30, 2020**

(54) **SURGERY NEEDLE FOR SKIN TREATMENT DEVICE**

13/49001; A61H 39/08; A61M 2037/0023; A61N 1/328

See application file for complete search history.

(71) Applicant: **GOWOONSESANG COSMETICS CO., LTD.**, Seongnam-si, Gyeonggi-do (KR)

(56) **References Cited**

U.S. PATENT DOCUMENTS

D529,173 S *	9/2006	Weisel	D24/145
D530,421 S *	10/2006	Topper	D24/145
D601,869 S *	10/2009	Nelson	D8/20
D603,231 S *	11/2009	Fisher	D24/146
D654,590 S *	2/2012	Fisher	D24/146
D716,944 S *	11/2014	Fisher	D24/146

(Continued)

FOREIGN PATENT DOCUMENTS

KR	20-0247143	Y1	9/2001
KR	20-0335310	Y1	12/2003

(Continued)

Primary Examiner — Samantha Q Lawrence

(74) *Attorney, Agent, or Firm* — Rabin & Berdo, P.C.

(72) Inventor: **Gun Young Ahn**, Seoul (KR)

(73) Assignee: **AGNES MEDICAL CO., LTD.**, Seongnam-si, Gyeonggi-do (KR)

(**) Term: **15 Years**

(21) Appl. No.: **29/629,184**

(22) Filed: **Dec. 12, 2017**

Related U.S. Application Data

(63) Continuation-in-part of application No. 15/575,082, filed as application No. PCT/KR2014/007419 on Aug. 11, 2014, now abandoned.

(30) **Foreign Application Priority Data**

Jun. 2, 2014 (KR) 10-2014-0067193

(51) **LOC (12) Cl.** **24-02**

(52) **U.S. Cl.**
USPC **D24/146**

(58) **Field of Classification Search**

USPC D24/127, 130, 133, 146, 147, 119, 100, D24/104, 108, 109, 110, 111, 117, 118, D24/132, 222, 137, 138; D4/114, 132, D4/137, 138; D28/7; D32/45, 51; D16/130, 132, 136

CPC A61B 17/06066; A61B 17/0401; A61B 2017/0409; A61B 17/0469; A61B 17/06004; A61B 2017/06028; A61B 2017/06042; A61B 17/06; A61B 17/06109; A61B 17/0625; A61B 2017/0445; A61B 17/04; A61B 17/062; A61B 2018/00452; C09D 183/04; A61F

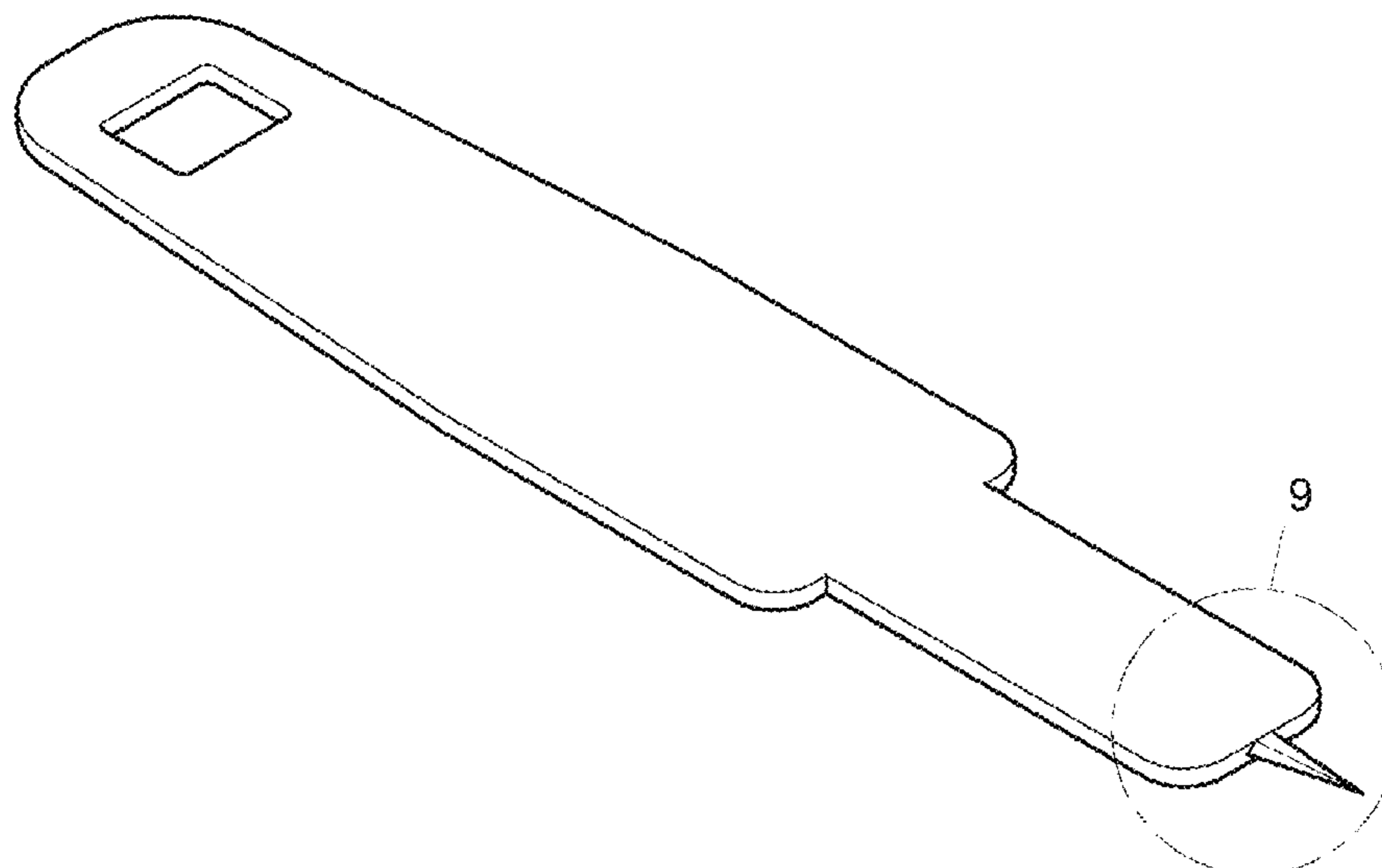
(57) **CLAIM**

The ornamental design for a surgery needle for skin treatment device, as shown and described.

DESCRIPTION

FIG. 1 is a perspective view of a surgery needle for skin treatment device showing my new design; FIG. 2 is a front elevational view thereof; FIG. 3 is a rear elevational view thereof; FIG. 4 is a left side elevational view thereof; FIG. 5 is a right side elevational view thereof; FIG. 6 is top plan view thereof; FIG. 7 is a bottom plan view thereof; FIG. 8 is an enlarged view of FIG. 2; and, FIG. 9 is an enlarged view of the portion of FIG. 1 shown in the view circle 9 of FIG. 1.

1 Claim, 6 Drawing Sheets



(56)

References Cited

U.S. PATENT DOCUMENTS

D745,350 S * 12/2015 Hampton D8/20
D761,957 S * 7/2016 Lee D24/133
D779,664 S * 2/2017 Lee D24/133
D788,302 S * 5/2017 O'Neill D24/146
D793,556 S * 8/2017 Sweitzer D24/146
D831,823 S * 10/2018 Lee D24/133
2009/0112205 A1 4/2009 McGill et al.
2018/0235606 A1* 8/2018 Maurer C23C 2/00
2019/0374222 A1* 12/2019 Gittings A61B 17/0642

FOREIGN PATENT DOCUMENTS

KR 20-0431404 Y1 11/2006
KR 10-0852500 B1 8/2008
KR 10-2012-0110379 A 10/2012

* cited by examiner

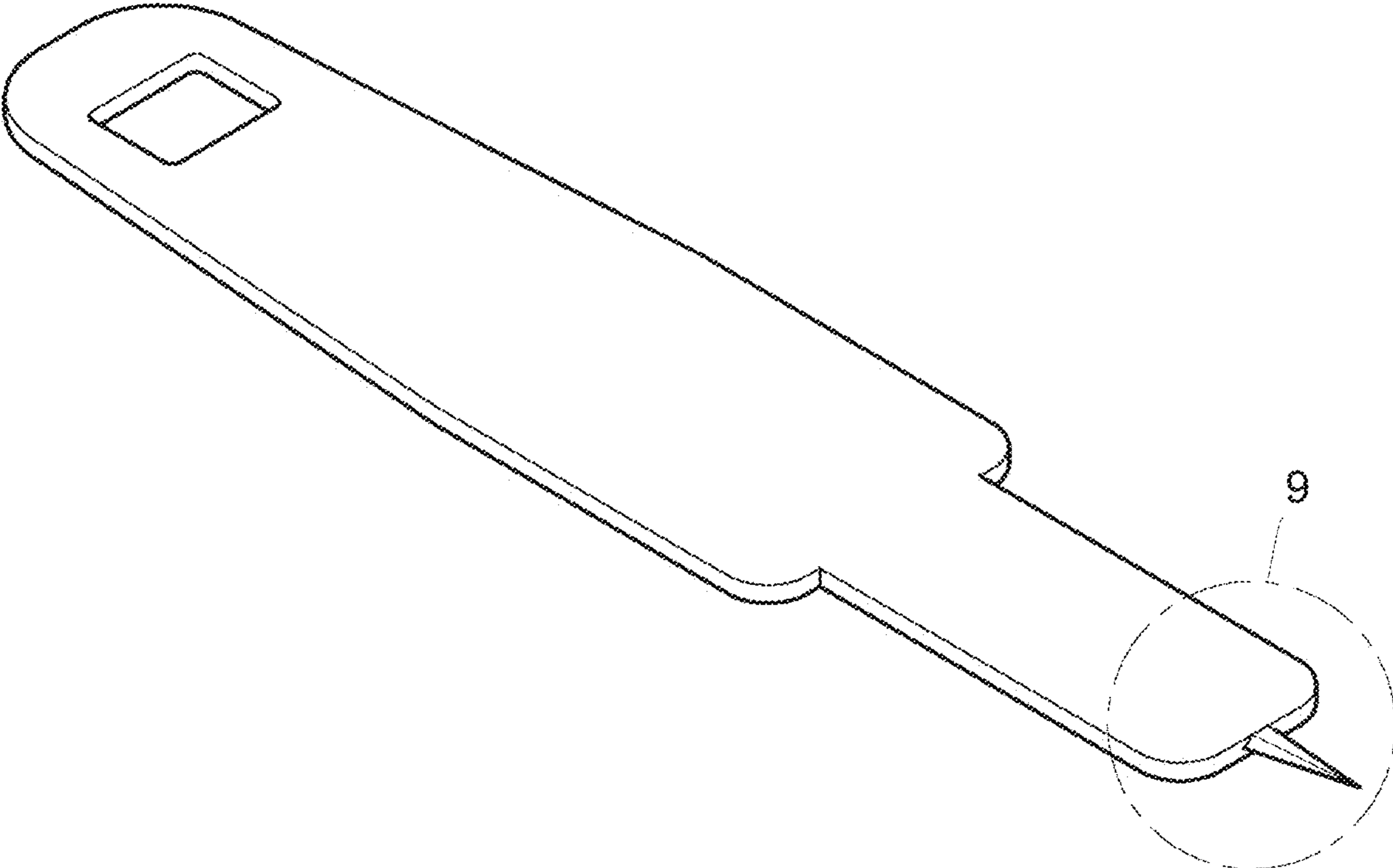


FIG. 1



FIG. 2



FIG. 3



FIG. 4



FIG. 5

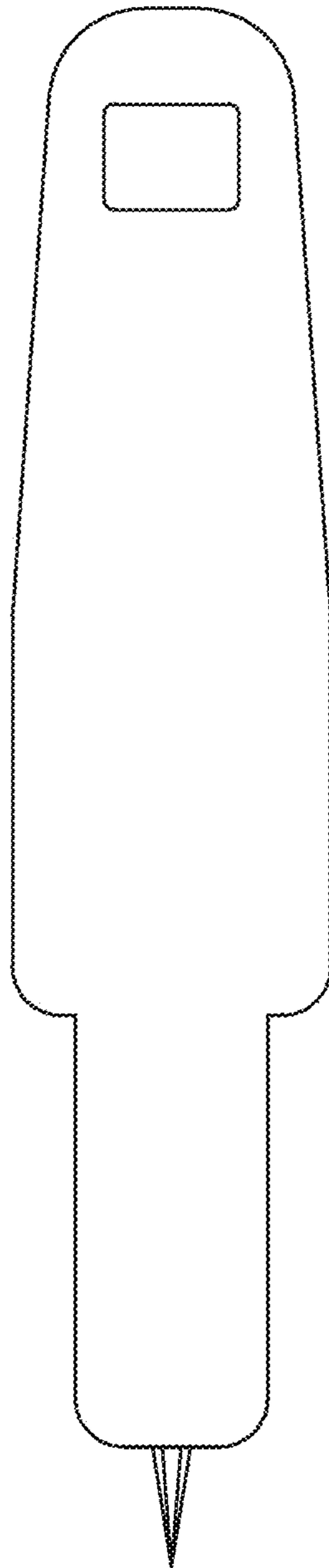


FIG. 6

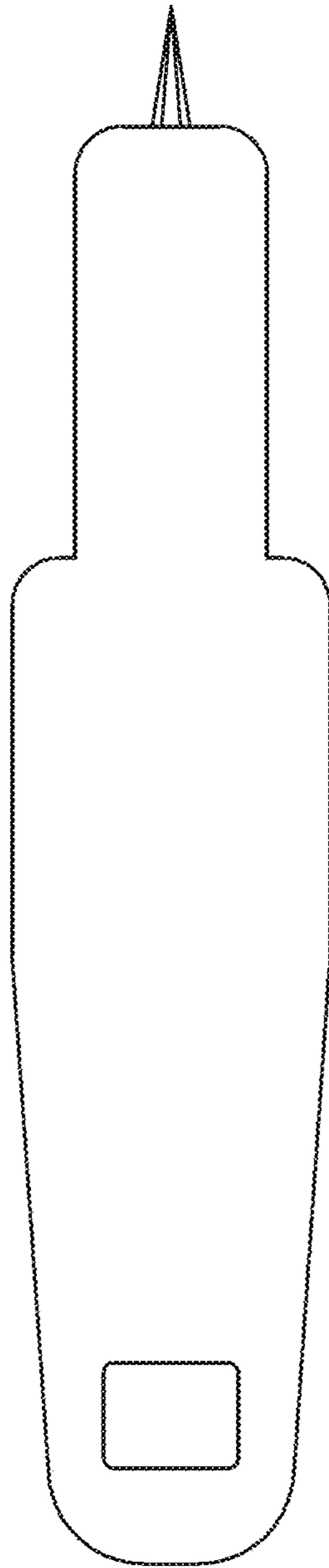


FIG. 7

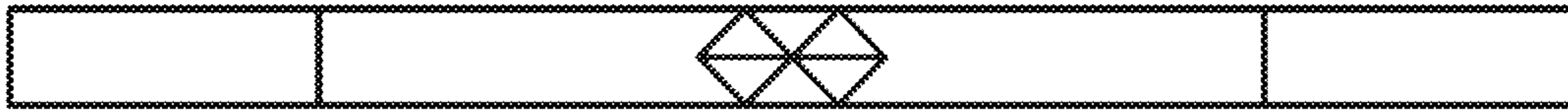


FIG. 8

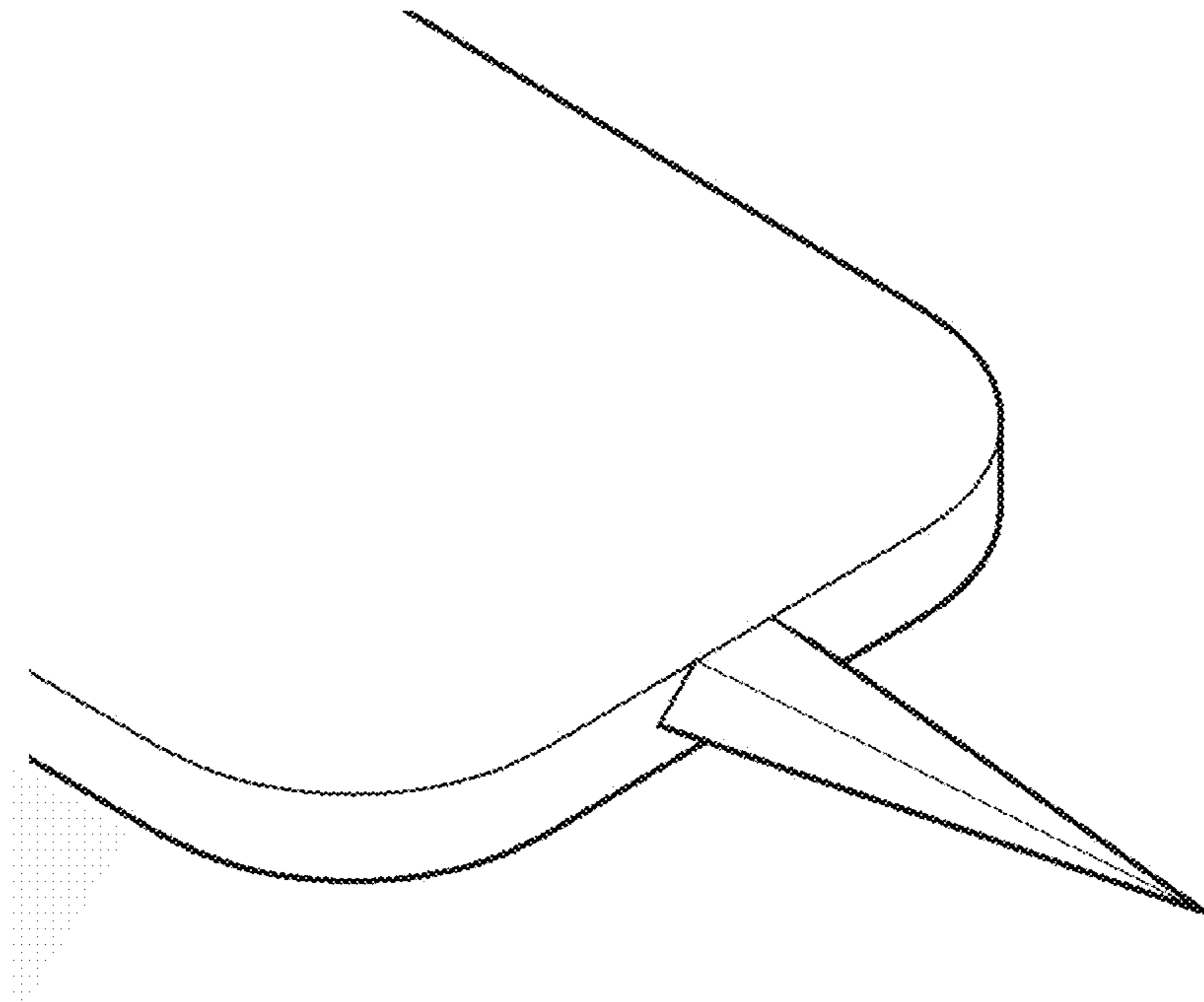


FIG. 9