



US00D888952S

(12) **United States Design Patent**  
**Baxter, III et al.**

(10) **Patent No.:** **US D888,952 S**

(45) **Date of Patent:** **\*\* Jun. 30, 2020**

(54) **CLIP APPLIER WITH ROTATION KNOB AND PROTECTIVE CAP**

D354,564 S 1/1995 Medema  
5,409,498 A 4/1995 Braddock et al.  
5,447,513 A \* 9/1995 Davison ..... A61B 17/1285  
227/901

(71) Applicant: **Ethicon LLC**, Guaynabo, PR (US)

5,700,271 A 12/1997 Whitfield et al.  
5,833,696 A 11/1998 Whitfield et al.

(72) Inventors: **Chester O. Baxter, III**, Loveland, OH (US); **Matthew Corbin**, Loveland, OH (US)

D502,994 S 3/2005 Blake, III  
6,869,435 B2 3/2005 Blake, III  
7,585,304 B2 \* 9/2009 Hughett ..... A61B 17/1285  
606/142

(73) Assignee: **Ethicon LLC**, Guaynabo, PR (US)

7,887,553 B2 2/2011 Lehman et al.  
8,267,945 B2 \* 9/2012 Nguyen ..... A61B 17/1285  
606/143

(\*\*) Term: **15 Years**

8,579,918 B2 11/2013 Whitfield et al.  
9,968,363 B2 5/2018 Blake, III

(21) Appl. No.: **29/695,757**

2003/0135224 A1 \* 7/2003 Blake, III ..... A61B 17/1285  
606/143

(22) Filed: **Jun. 21, 2019**

\* cited by examiner

**Related U.S. Application Data**

(62) Division of application No. 29/613,511, filed on Aug. 10, 2017, now Pat. No. Des. 858,767.

*Primary Examiner* — Wan Laymon

(51) **LOC (12) Cl.** ..... **24-02**

(74) *Attorney, Agent, or Firm* — Mintz Levin Cohn Ferris Glovsky and Popeo, P.C.

(52) **U.S. Cl.**

USPC ..... **D24/145**

(57) **CLAIM**

The ornamental design for a clip applier with rotation knob and protective cap, as shown and described.

(58) **Field of Classification Search**

USPC ..... D24/145; 227/901–902; 606/139, 606/142–143, 170

CPC . A61B 17/1285; A61B 17/122; A61B 17/128; Y10S 227/901; Y10S 227/902

See application file for complete search history.

**DESCRIPTION**

FIG. 1 is a perspective view of a clip applier with rotation knob and protective cap;

FIG. 2 is a back view of the clip applier of FIG. 1;

FIG. 3 is a front view of the clip applier of FIG. 1;

FIG. 4 is a right side view of the clip applier of FIG. 1;

FIG. 5 is a left side view of the clip applier of FIG. 1;

FIG. 6 is a top view of the r clip applier of FIG. 1; and,

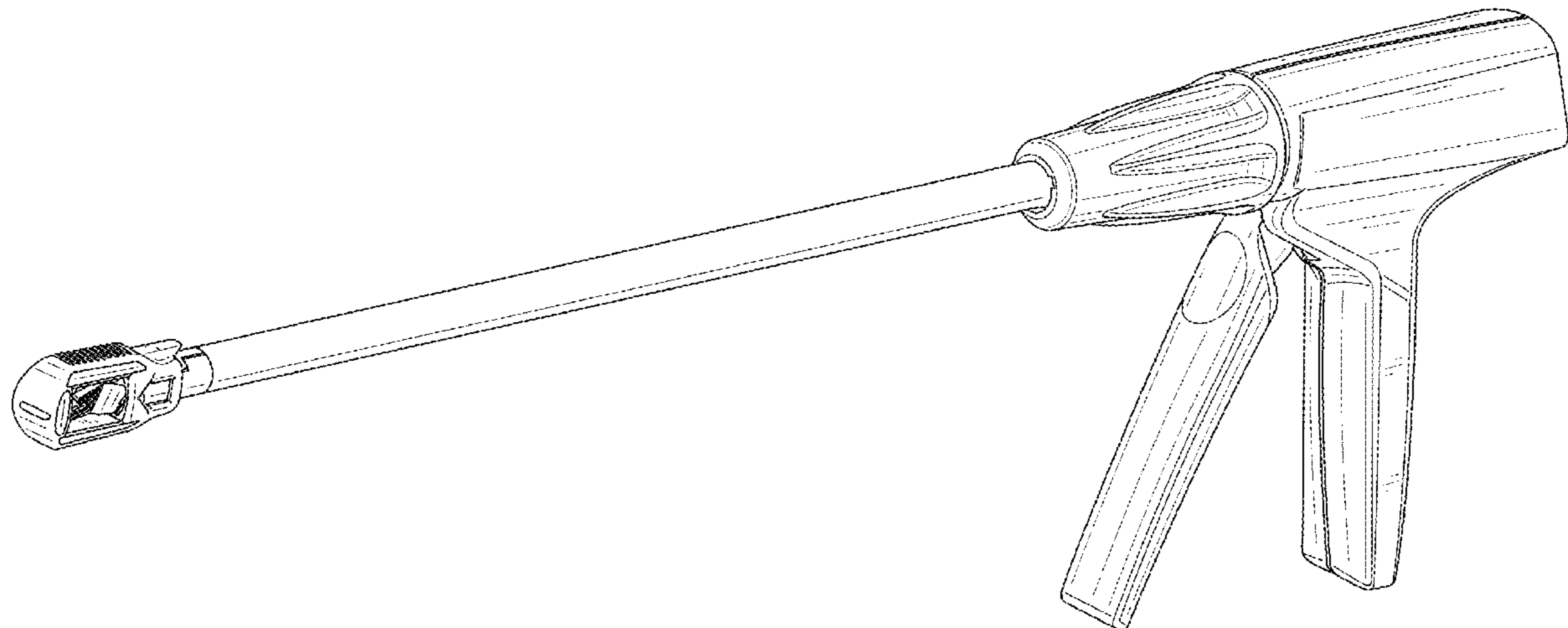
FIG. 7 is a bottom view of the clip applier of FIG. 1.

(56) **References Cited**

**U.S. PATENT DOCUMENTS**

5,171,247 A 12/1992 Hughett et al.  
5,192,288 A 3/1993 Thompson et al.  
5,304,190 A 4/1994 Reckelhoff et al.

**1 Claim, 5 Drawing Sheets**



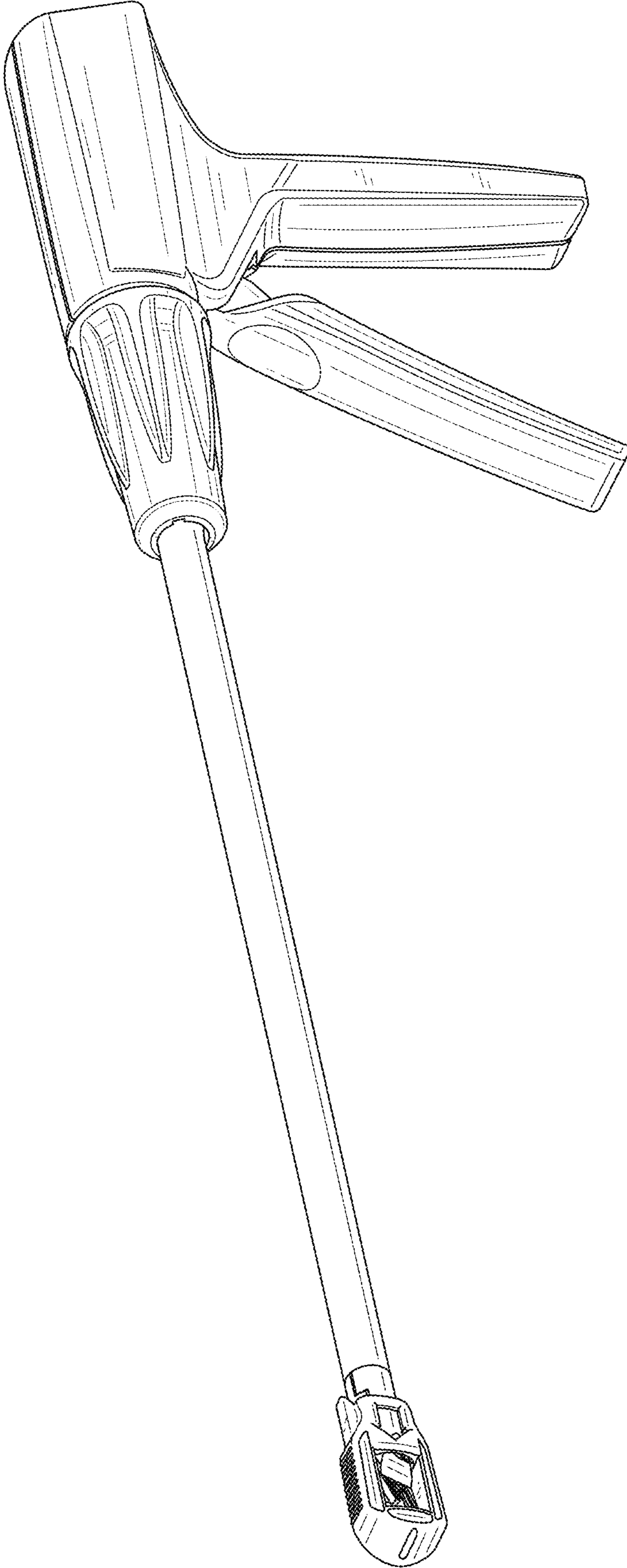


FIG. 1

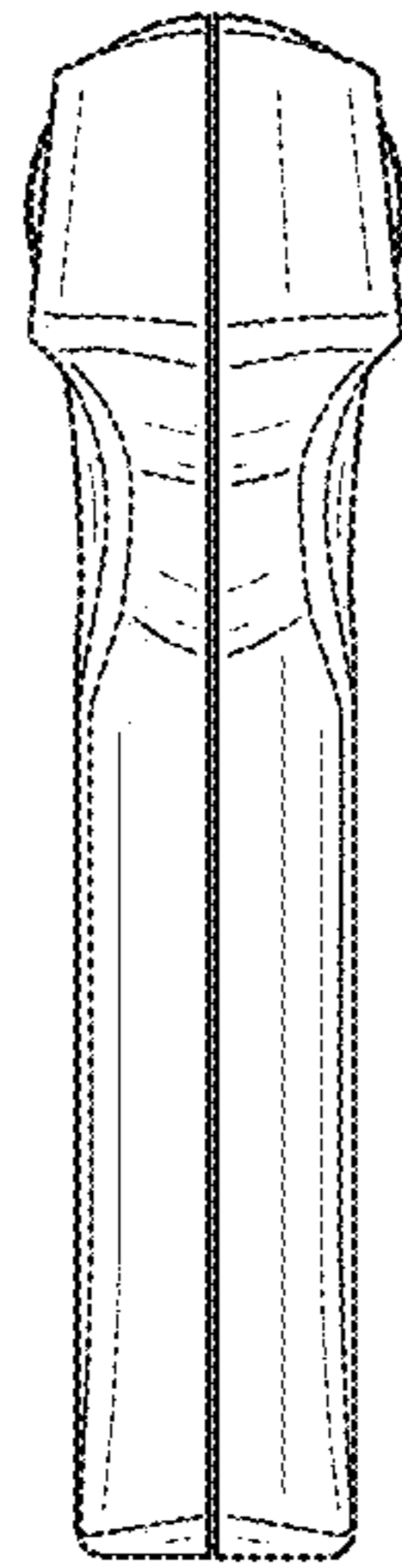


FIG. 2

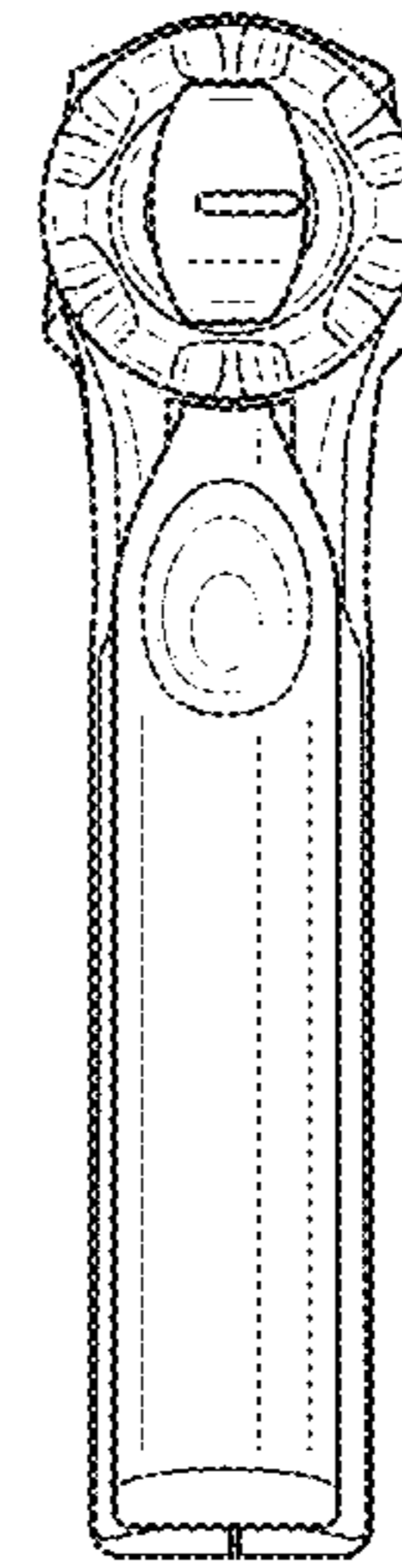


FIG. 3

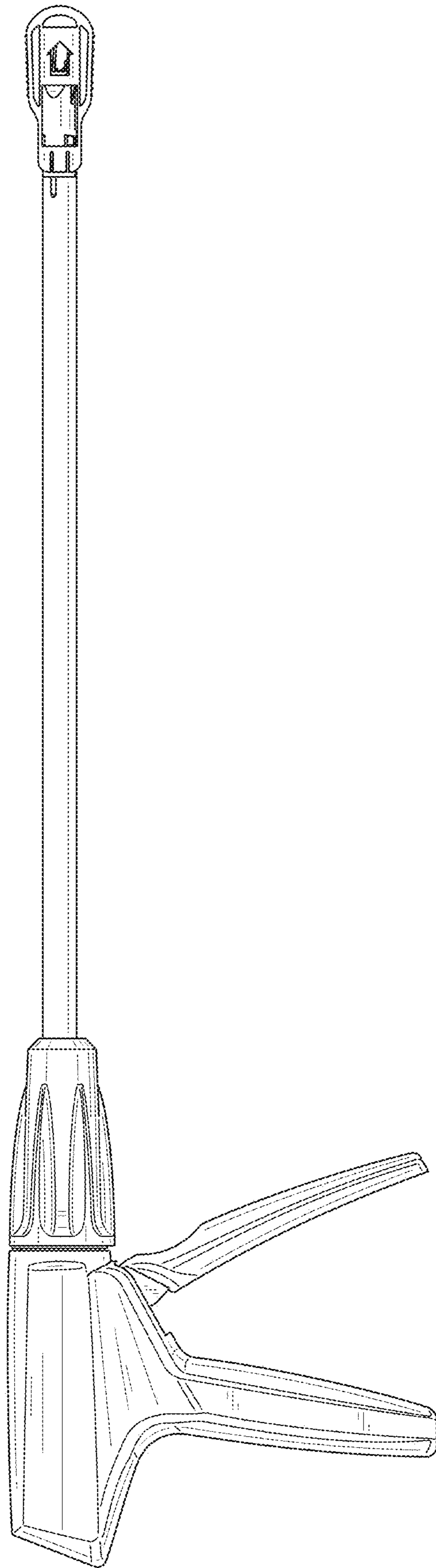


FIG. 4

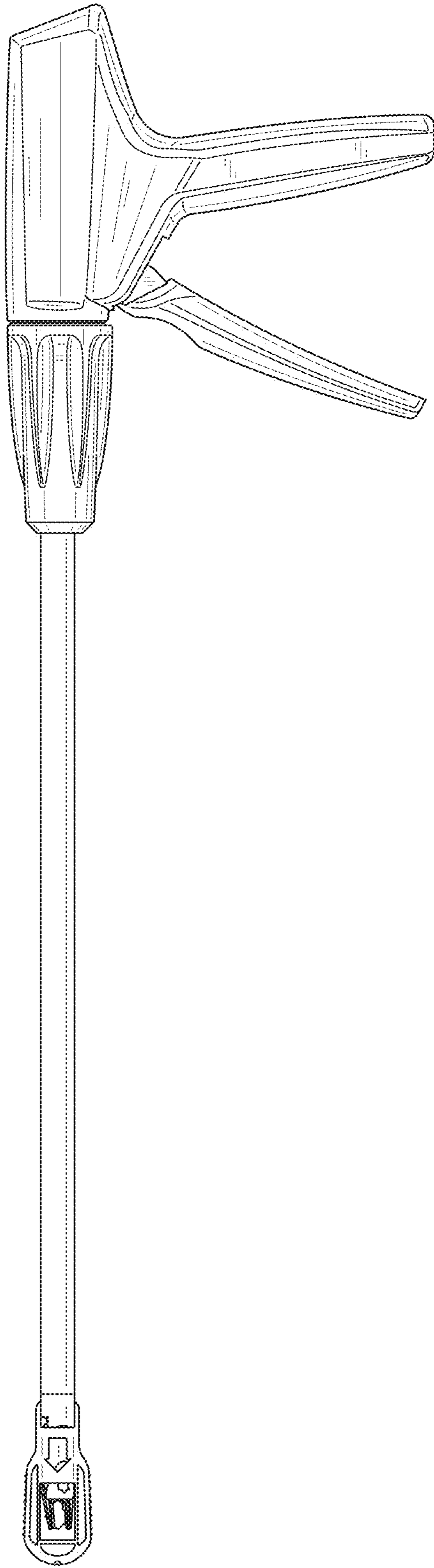


FIG. 5

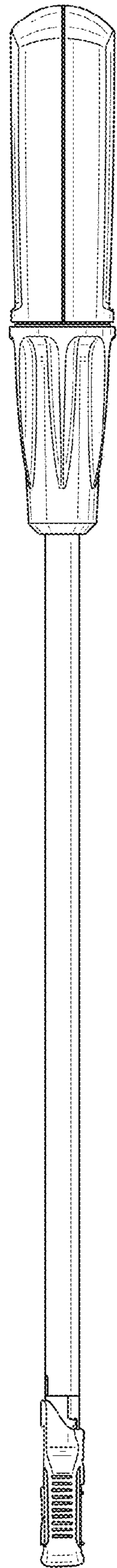


FIG. 6

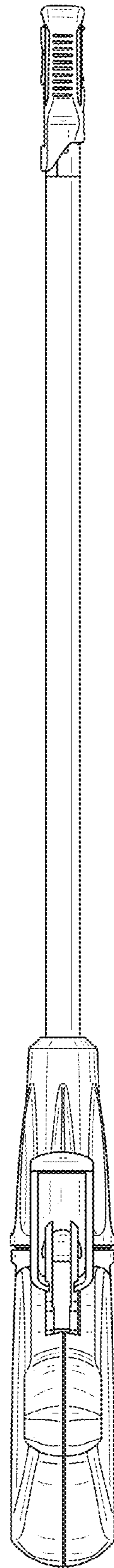


FIG. 7