



US00D888951S

(12) **United States Design Patent**  
**Renner et al.**

(10) **Patent No.:** **US D888,951 S**  
(45) **Date of Patent:** **\*\* Jun. 30, 2020**

(54) **PAIR OF BIPOLAR ELECTROSURGICAL JAWS**

(71) Applicant: **Ethicon LLC**, Guaynabo, PR (US)

(72) Inventors: **Ellen M. Renner**, Cincinnati, OH (US);  
**Geoffrey S. Strobl**, Williamsburg, OH (US); **Barry C. Worrell**, Centerville, OH (US); **Gregory A. Trees**, Loveland, OH (US); **Randolph C. Stewart**, Cincinnati, OH (US)

(73) Assignee: **ETHICON LLC**, Guaynabo, PR (US)

(\*\*) Term: **15 Years**

(21) Appl. No.: **29/670,366**

(22) Filed: **Nov. 15, 2018**

(51) **LOC (12) Cl.** ..... **24-02**

(52) **U.S. Cl.**  
USPC ..... **D24/144; D24/143**

(58) **Field of Classification Search**  
USPC ..... D24/143-144, 146-148; 606/205-207  
CPC ... A61B 18/1445; A61B 17/29; A61B 17/295;  
A61B 17/282; A61B 17/285; A61B  
2017/2926; A61B 2017/2905; A61B  
18/1442

See application file for complete search history.

(56) **References Cited**

**U.S. PATENT DOCUMENTS**

6,228,083 B1 \* 5/2001 Lands ..... A61B 18/1445  
606/207  
6,626,901 B1 \* 9/2003 Treat ..... A61B 18/1445  
606/29

6,905,497 B2 \* 6/2005 Truckai ..... A61B 18/1442  
606/49  
8,652,135 B2 \* 2/2014 Nau, Jr. .... A61B 18/1445  
606/207  
RE44,834 E \* 4/2014 Dumbauld ..... A61B 17/29  
606/45  
9,402,682 B2 \* 8/2016 Worrell ..... A61B 18/1445  
9,931,157 B2 \* 4/2018 Strobl ..... A61B 18/1445  
10,159,506 B2 \* 12/2018 Boudreaux ..... A61B 18/1445  
10,314,645 B2 \* 6/2019 Yates ..... A61B 18/1445  
D865,963 S \* 11/2019 Unger ..... D24/143  
D866,761 S \* 11/2019 Liu ..... D24/143  
2018/0008338 A1 \* 1/2018 Kopp ..... A61B 18/1445  
2019/0076159 A1 \* 3/2019 Boudreaux ..... A61B 18/1445  
2019/0290353 A1 \* 9/2019 Joseph ..... A61B 18/1445

\* cited by examiner

*Primary Examiner* — Wan Laymon

(57) **CLAIM**

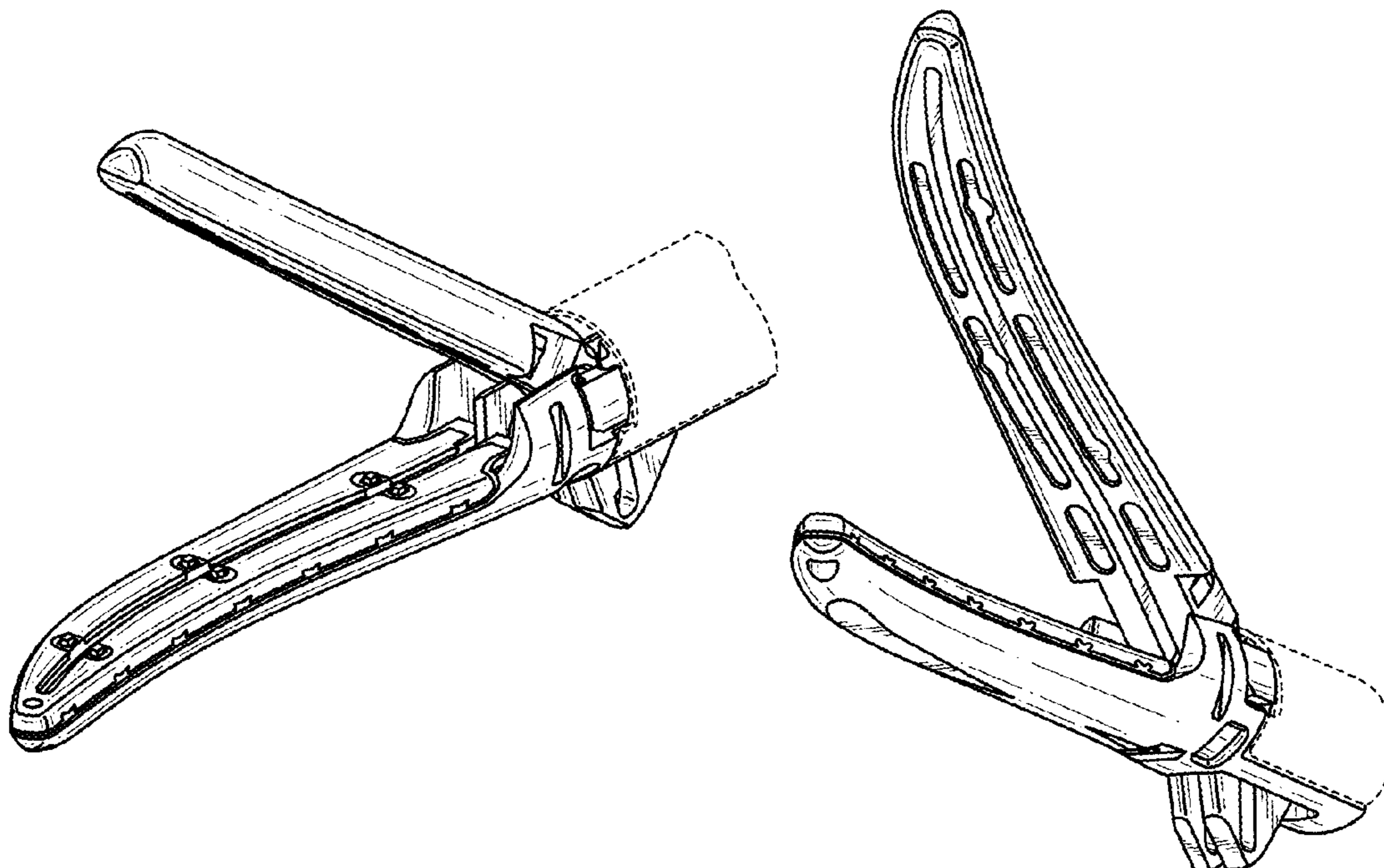
The ornamental design for a pair of bipolar electro-surgical jaws, as shown and described.

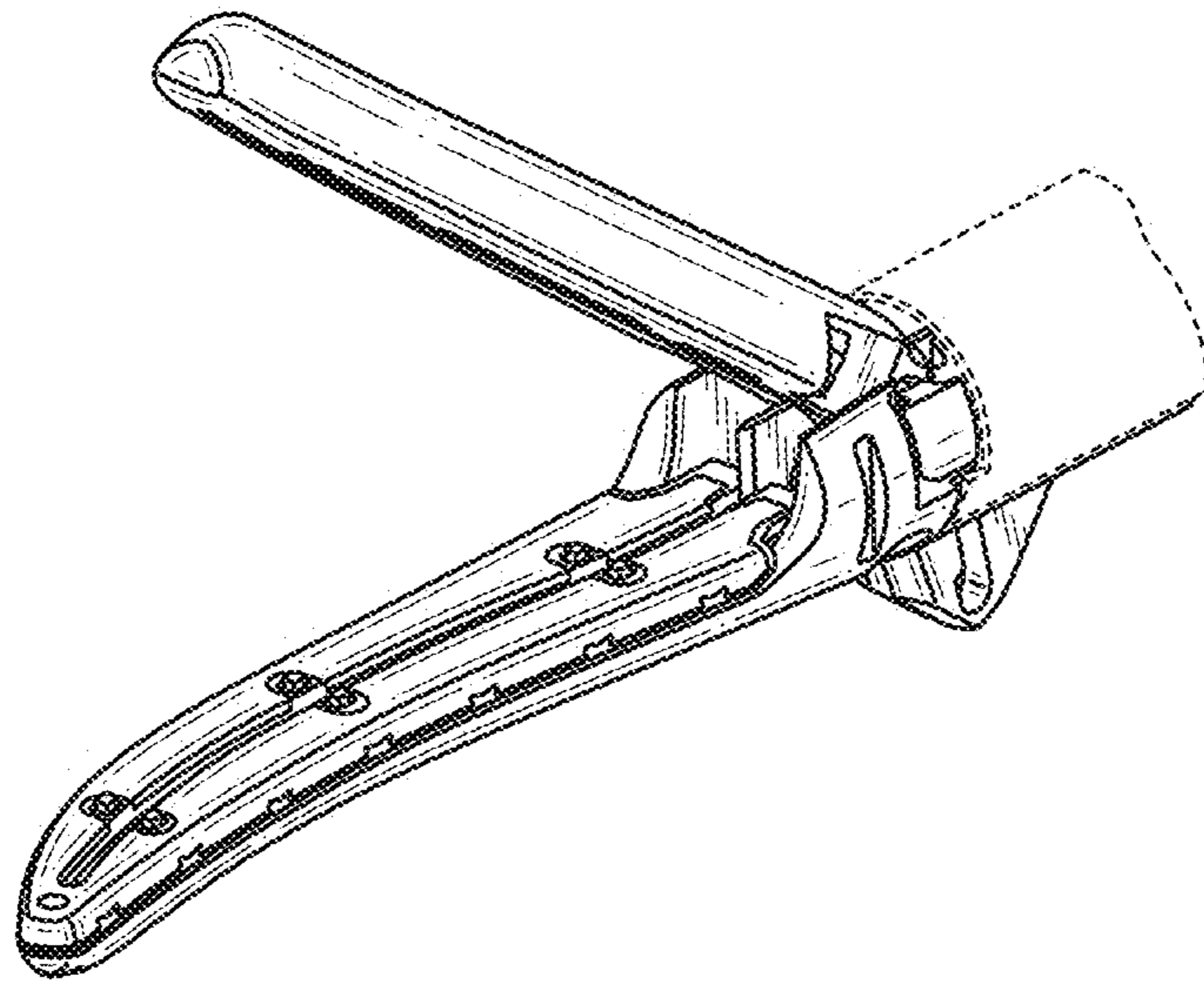
**DESCRIPTION**

FIG. 1 is a top perspective view of a pair of bipolar electro-surgical jaws;  
FIG. 2 is a bottom perspective view thereof;  
FIG. 3 is a top plan view thereof;  
FIG. 4 is a right side elevation view thereof;  
FIG. 5 is a bottom plan view thereof;  
FIG. 6 is a left side elevation view thereof;  
FIG. 7 is a front elevation view thereof; and,  
FIG. 8 is an end elevation view thereof.

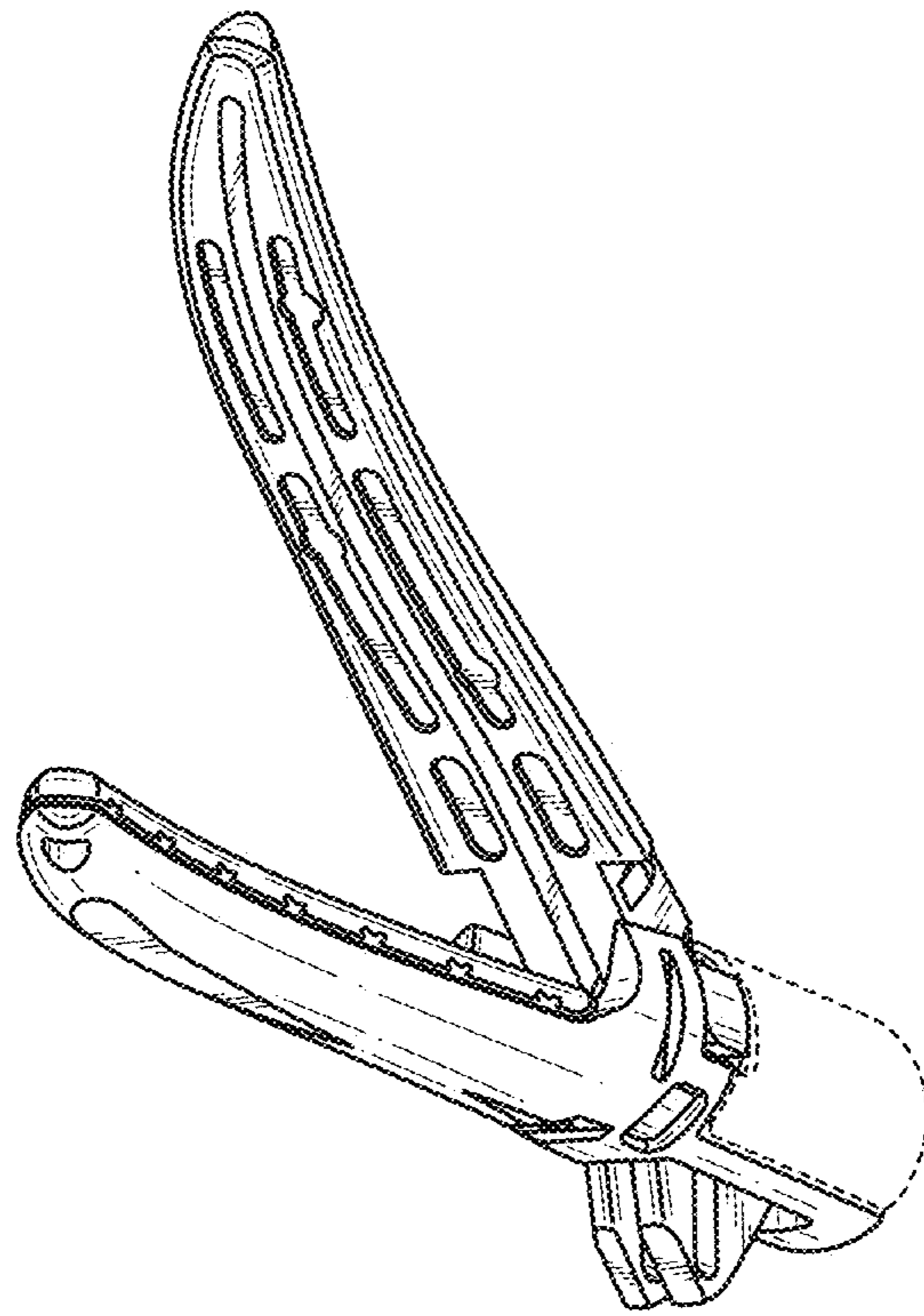
The broken lines shown in the drawings are included for the purpose of illustrating structural environment and form no part of the claimed design.

**1 Claim, 5 Drawing Sheets**

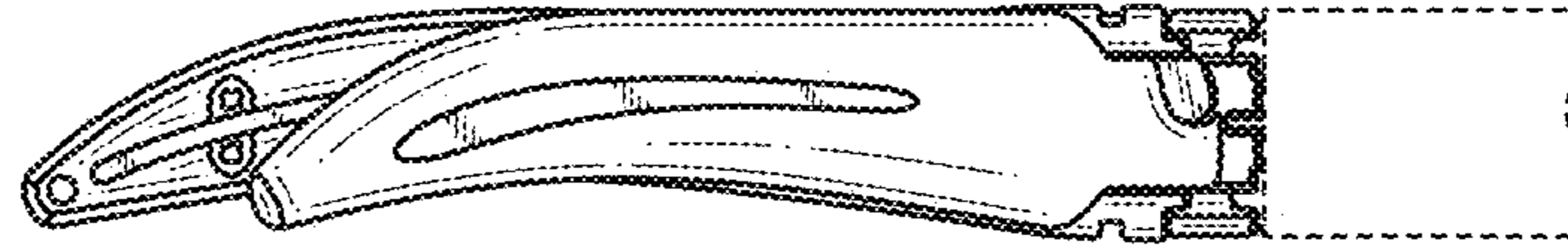




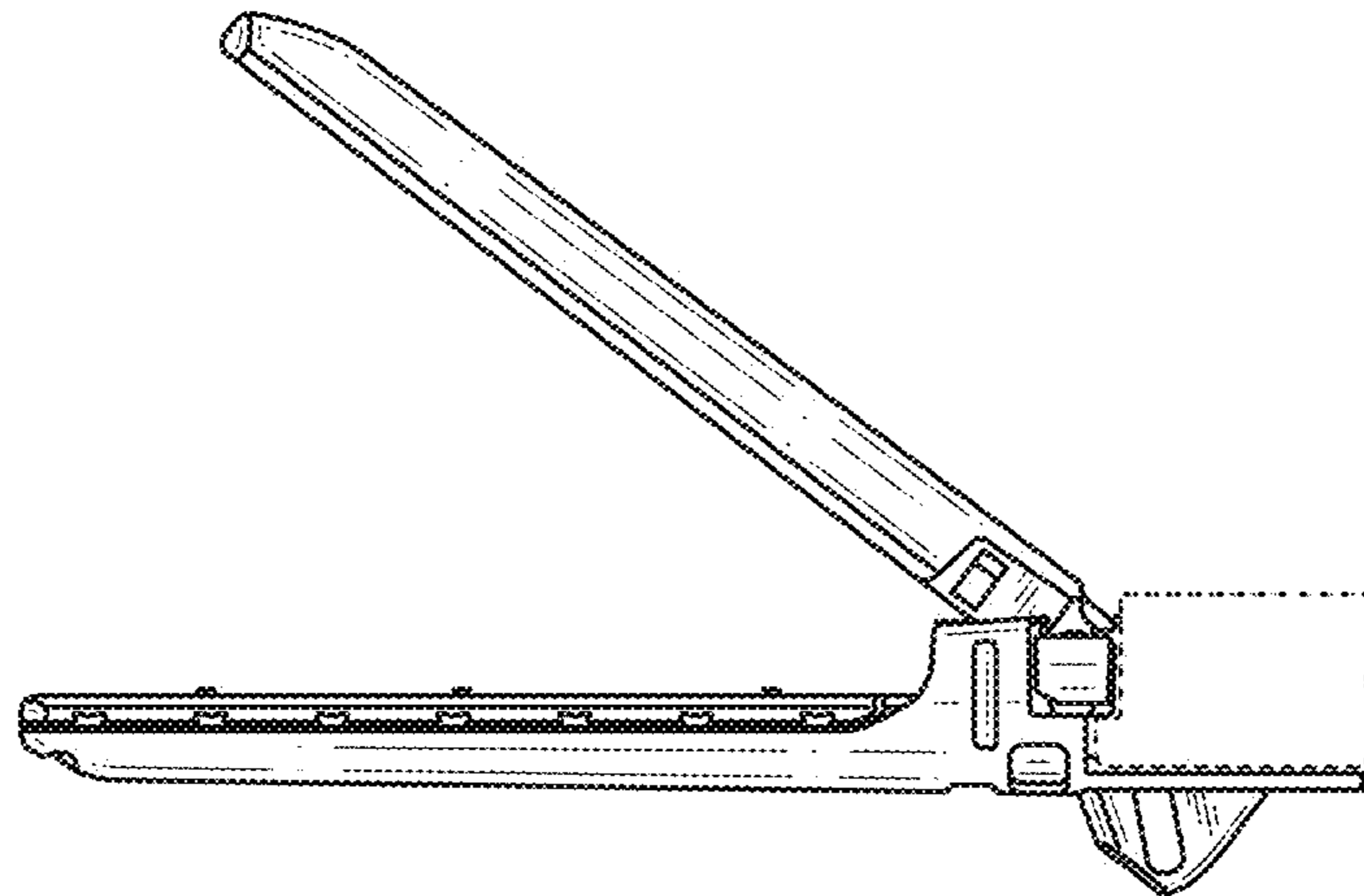
**FIG. 1**



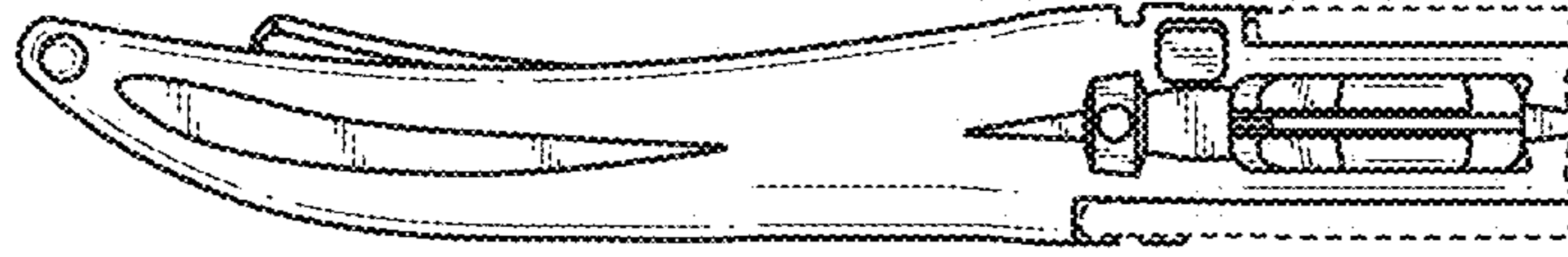
**FIG. 2**



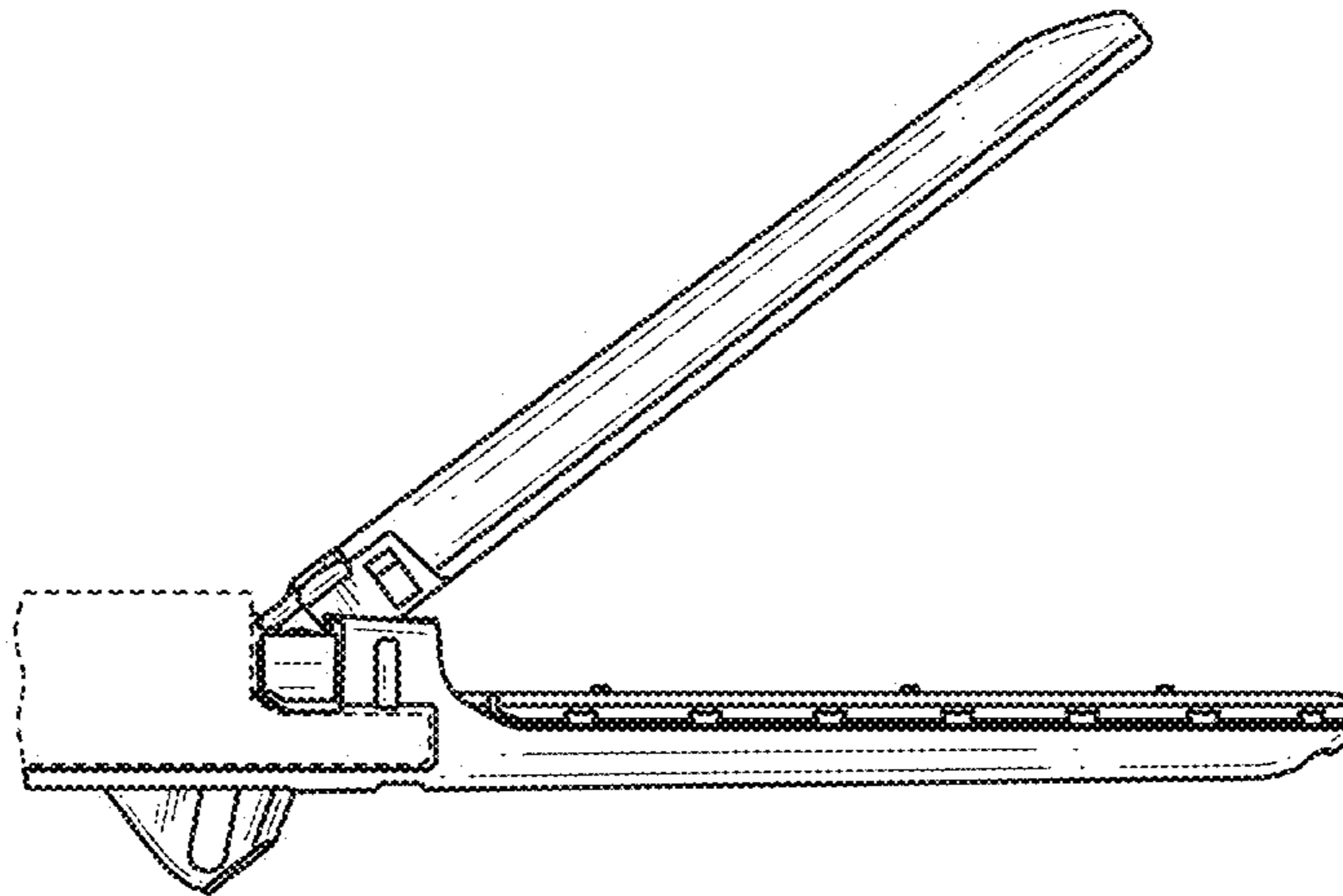
**FIG. 3**



**FIG. 4**

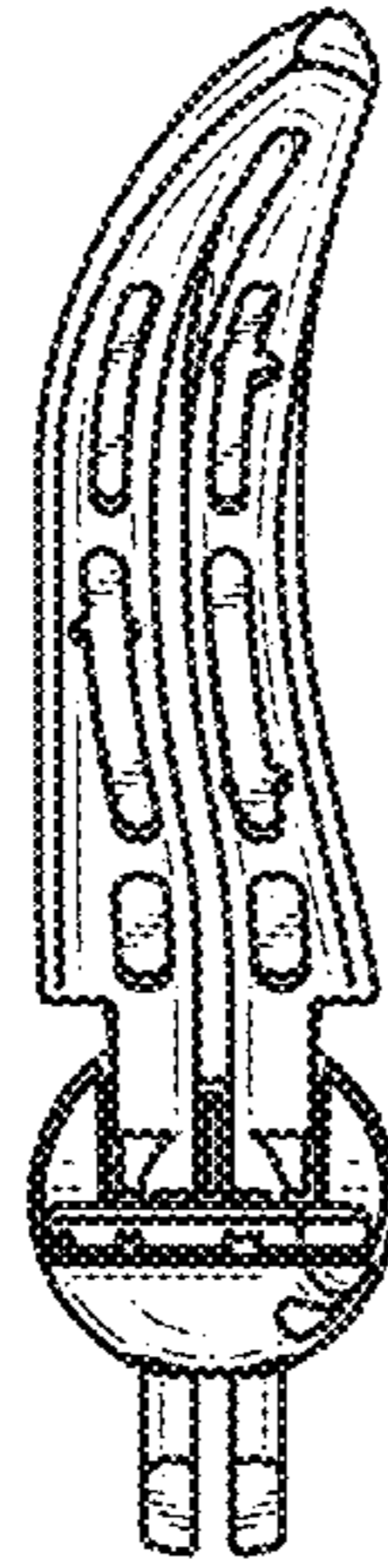


**FIG. 5**



**FIG. 6**





**FIG. 7**



**FIG. 8**