



US00D888950S

(12) **United States Design Patent**  
**Kuchta et al.**

(10) **Patent No.:** **US D888,950 S**

(45) **Date of Patent:** **\*\* Jun. 30, 2020**

(54) **YOKE ASSEMBLY FOR A SURGICAL INSTRUMENT**

(71) Applicant: **JustRight Surgical LLC**, Louisville, CO (US)

(72) Inventors: **Casey Kuchta**, Boulder, CO (US);  
**Joseph Bucciaglia**, Boulder, CO (US);  
**Dale Schmaltz**, Fort Collins, CO (US);  
**Andrew Christoffersen**, Commerce City, CO (US); **Christopher Deborski**, Denver, CO (US)

(73) Assignee: **Bolder Surgical, LLC**, Louisville, CO (US)

(\*\*) Term: **15 Years**

(21) Appl. No.: **29/666,081**

(22) Filed: **Oct. 10, 2018**

(51) **LOC (12) Cl.** ..... **24-02**

(52) **U.S. Cl.**  
USPC ..... **D24/144**

(58) **Field of Classification Search**  
USPC ..... D24/133, 143-144, 146; 606/51, 167,  
606/174, 205  
CPC . A61B 17/29; A61B 18/1442; A61B 18/1445;  
A61B 18/1447  
See application file for complete search history.

(56) **References Cited**

**U.S. PATENT DOCUMENTS**

5,254,130	A *	10/1993	Poncet	.....	A61B 17/29 606/206
5,947,996	A	9/1999	Logeman		
6,083,150	A *	7/2000	Aznoian	.....	A61B 10/06 606/205
6,086,606	A *	7/2000	Knodel	.....	A61B 17/29 606/174

6,228,083	B1 *	5/2001	Lands	.....	A61B 18/1445 606/207
D640,790	S *	6/2011	Nishimura	.....	D24/146
8,486,107	B2 *	7/2013	Hinton	.....	A61B 18/1442 606/205
9,144,455	B2	9/2015	Kennedy et al.		
D791,321	S *	7/2017	Wittner	.....	D24/146
9,844,388	B2 *	12/2017	Ganter	.....	A61B 17/29
10,265,121	B2 *	4/2019	Dycus	.....	A61B 18/1445
2005/0113828	A1 *	5/2005	Shields	.....	A61B 18/1442 606/51
2005/0137592	A1 *	6/2005	Nguyen	.....	A61B 18/1445 606/51
2013/0296848	A1 *	11/2013	Allen, IV	.....	A61B 18/1445 606/41
2016/0022356	A1 *	1/2016	Schostek	.....	A61B 18/1445 606/48

(Continued)

*Primary Examiner* — Wan Laymon

(74) *Attorney, Agent, or Firm* — Schneider IP Law LLC;  
Laura A. Schneider

(57) **CLAIM**

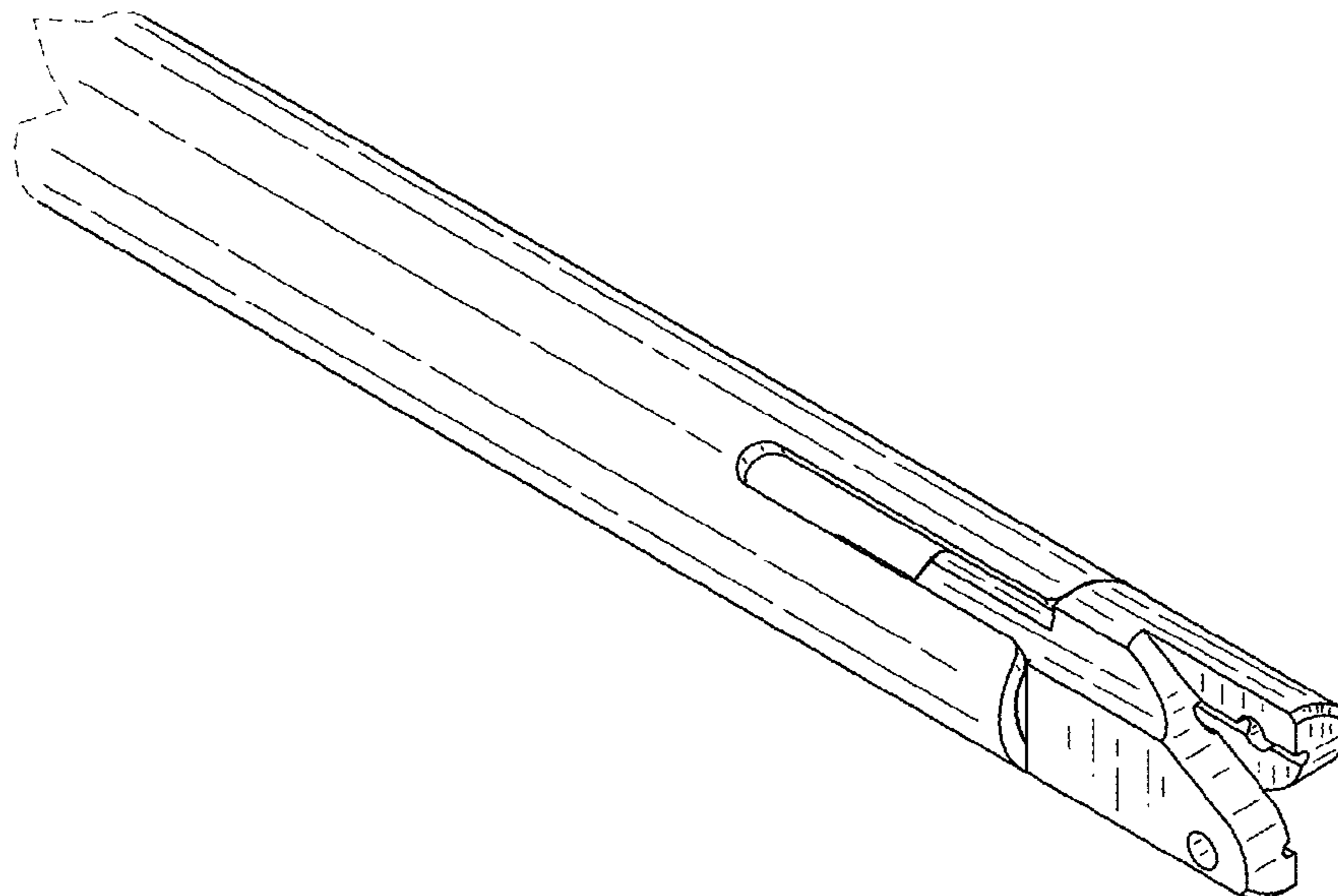
The ornamental design for a yoke assembly for a surgical instrument, as shown and described.

**DESCRIPTION**

FIG. 1 is a top perspective view of a yoke assembly for a surgical instrument;  
FIG. 2 is a bottom perspective view thereof;  
FIG. 3 is a right side view thereof;  
FIG. 4 is a left side view thereof;  
FIG. 5 is a top view thereof;  
FIG. 6 is a bottom view thereof;  
FIG. 7 is a front view thereof; and,  
FIG. 8 is a back view thereof.

The broken lines shown in the figures are included for the purpose of illustrating portions of the yoke assembly for a surgical instrument and form no part of the claimed design.

**1 Claim, 4 Drawing Sheets**



(56)

**References Cited**

U.S. PATENT DOCUMENTS

2017/0119459 A1 5/2017 Schechter et al.  
2017/0296258 A1 10/2017 Bucciaglia et al.

\* cited by examiner

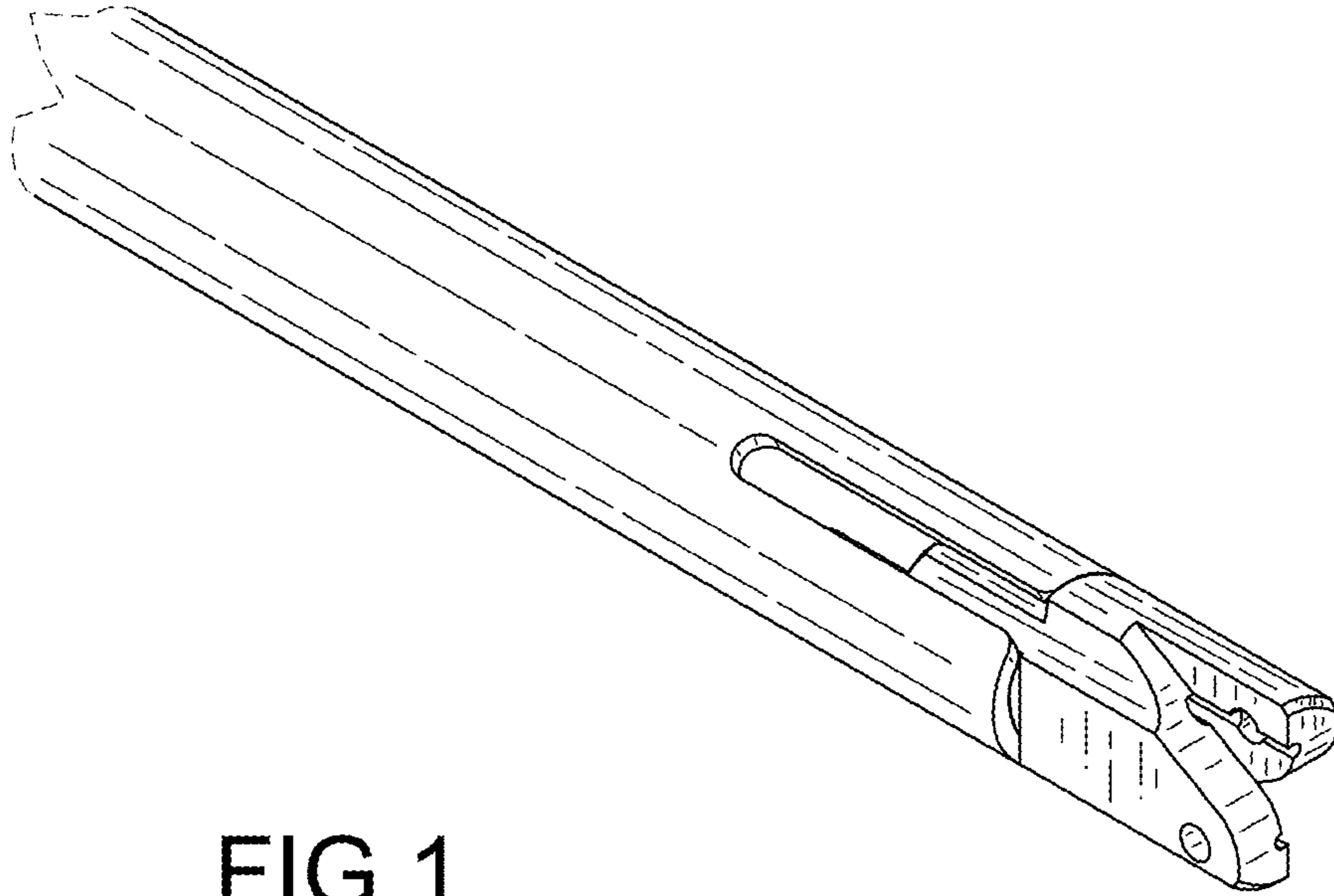


FIG.1

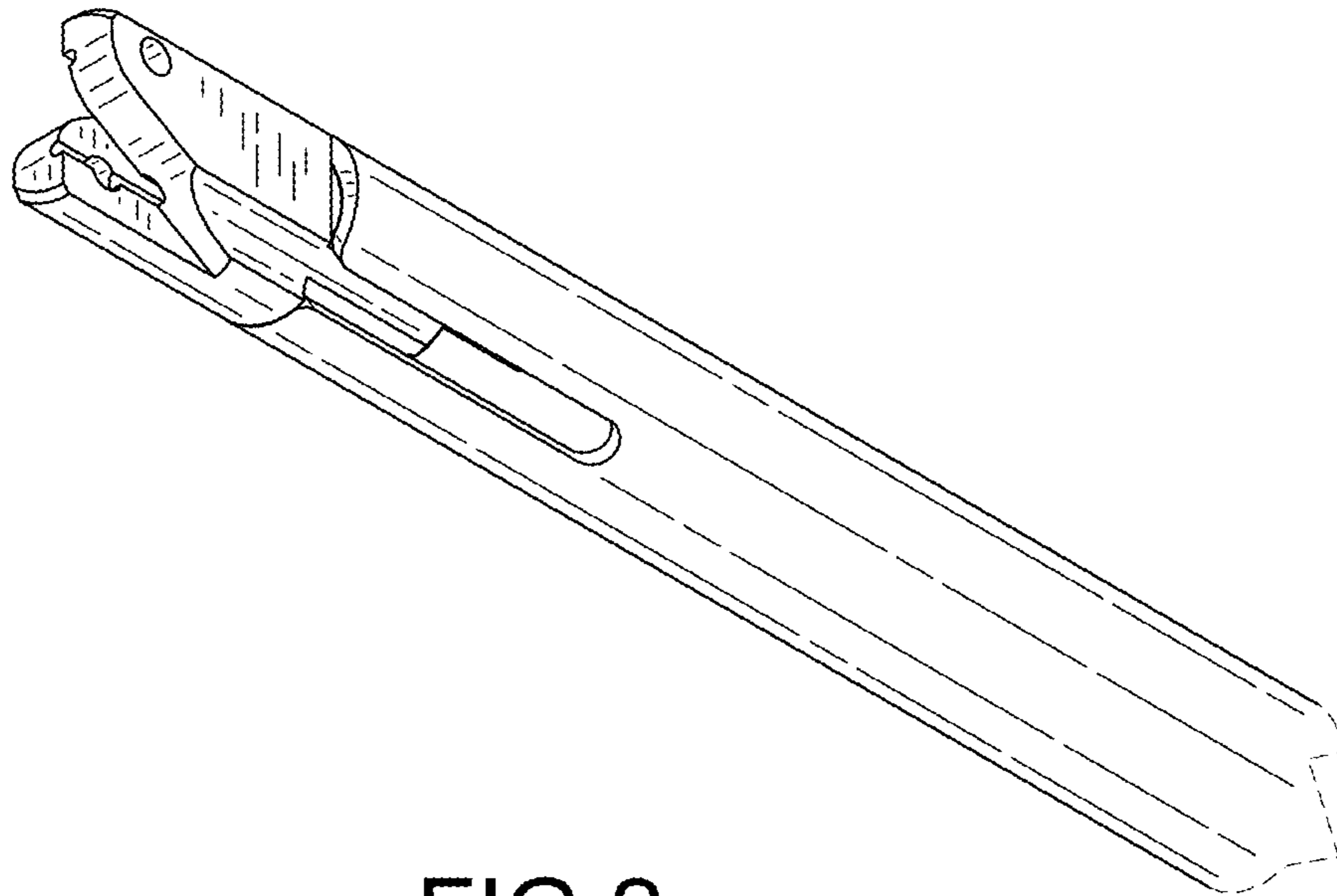


FIG.2

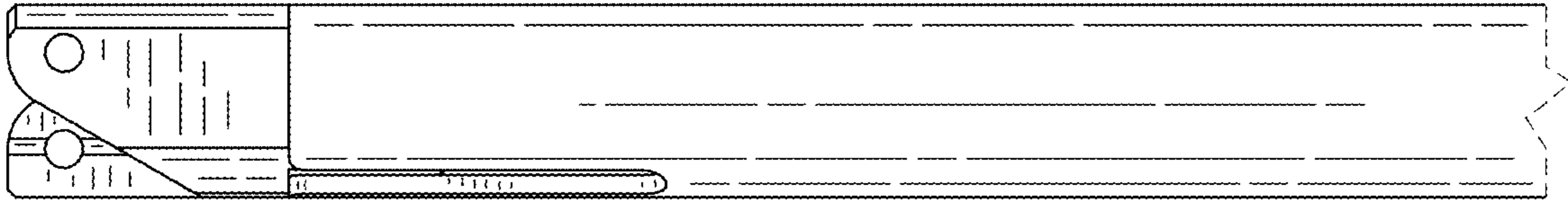


FIG.3

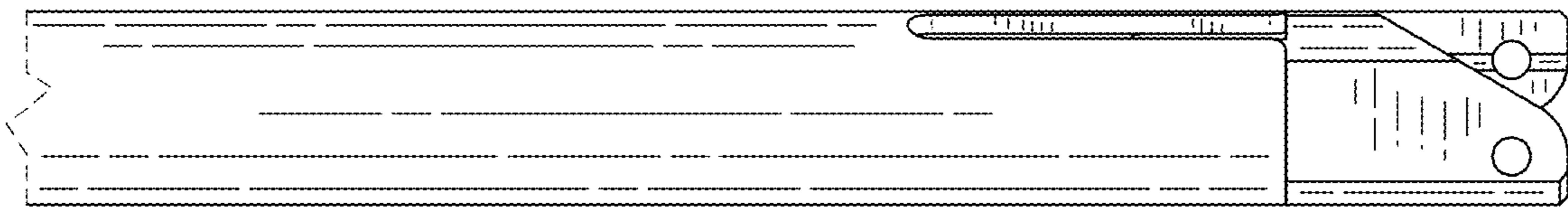


FIG.4

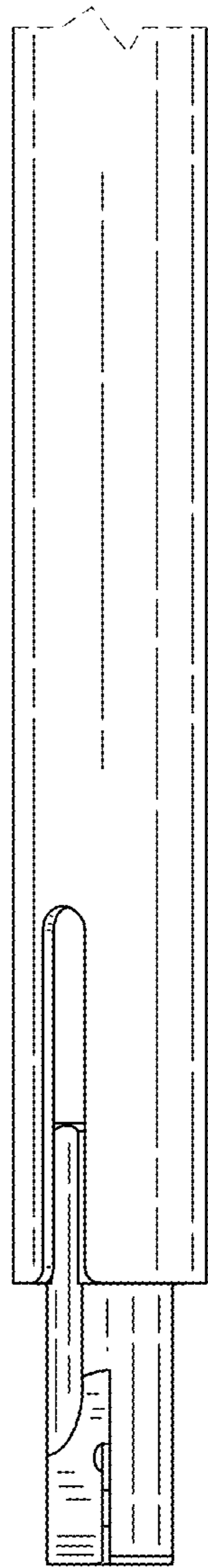


FIG. 5

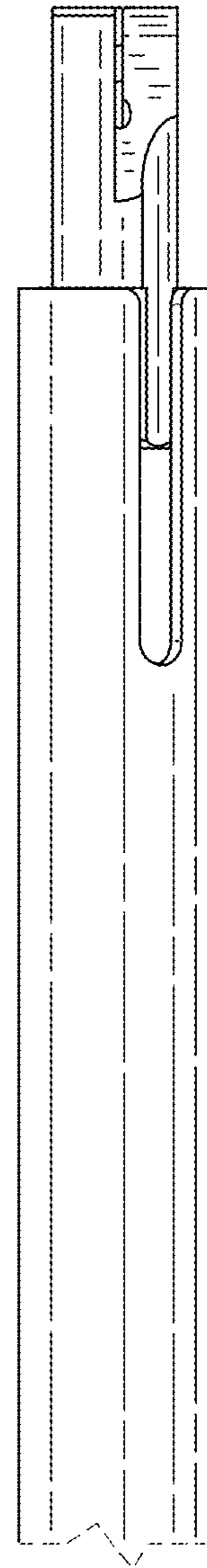


FIG. 6

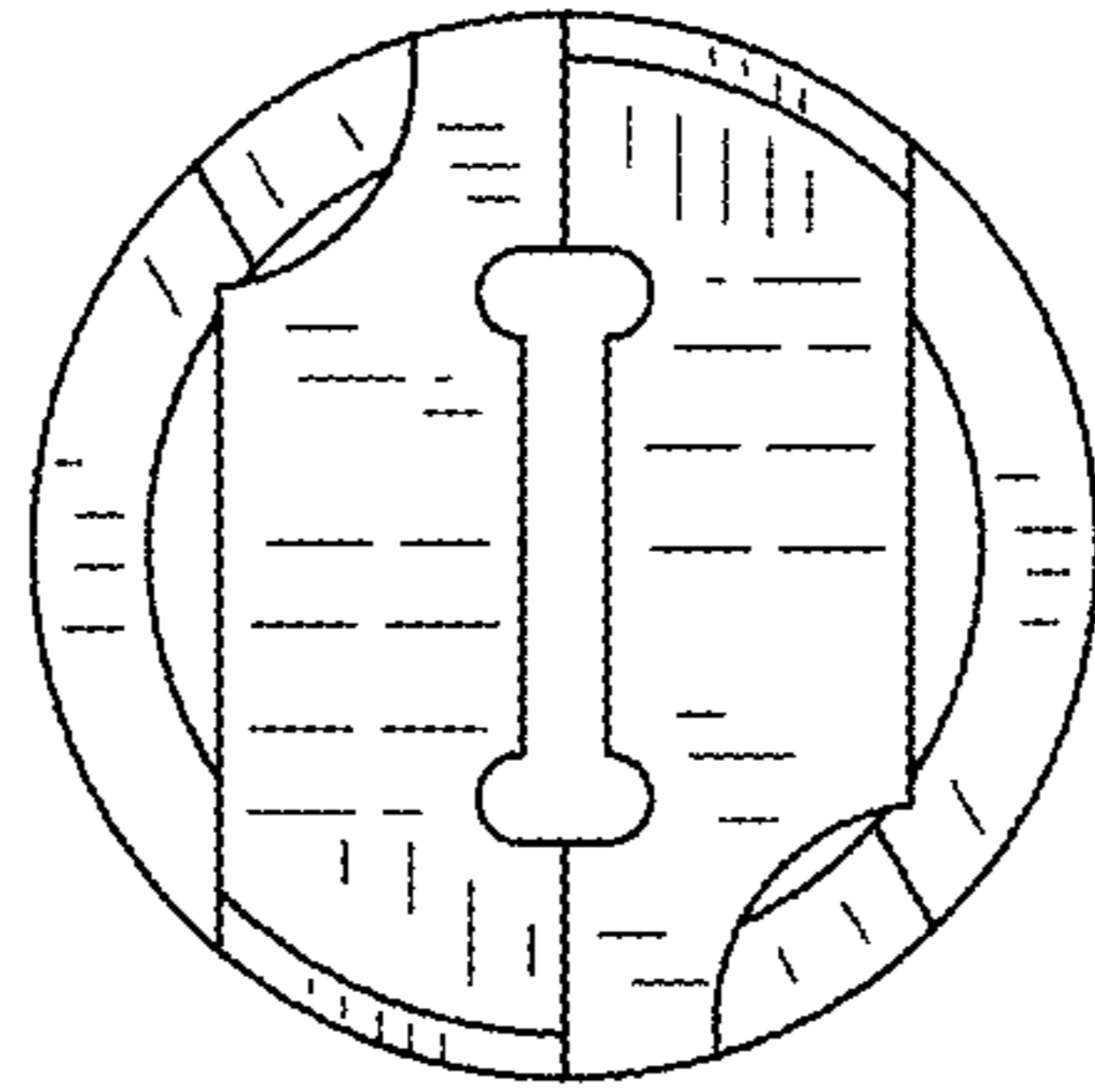


FIG. 7

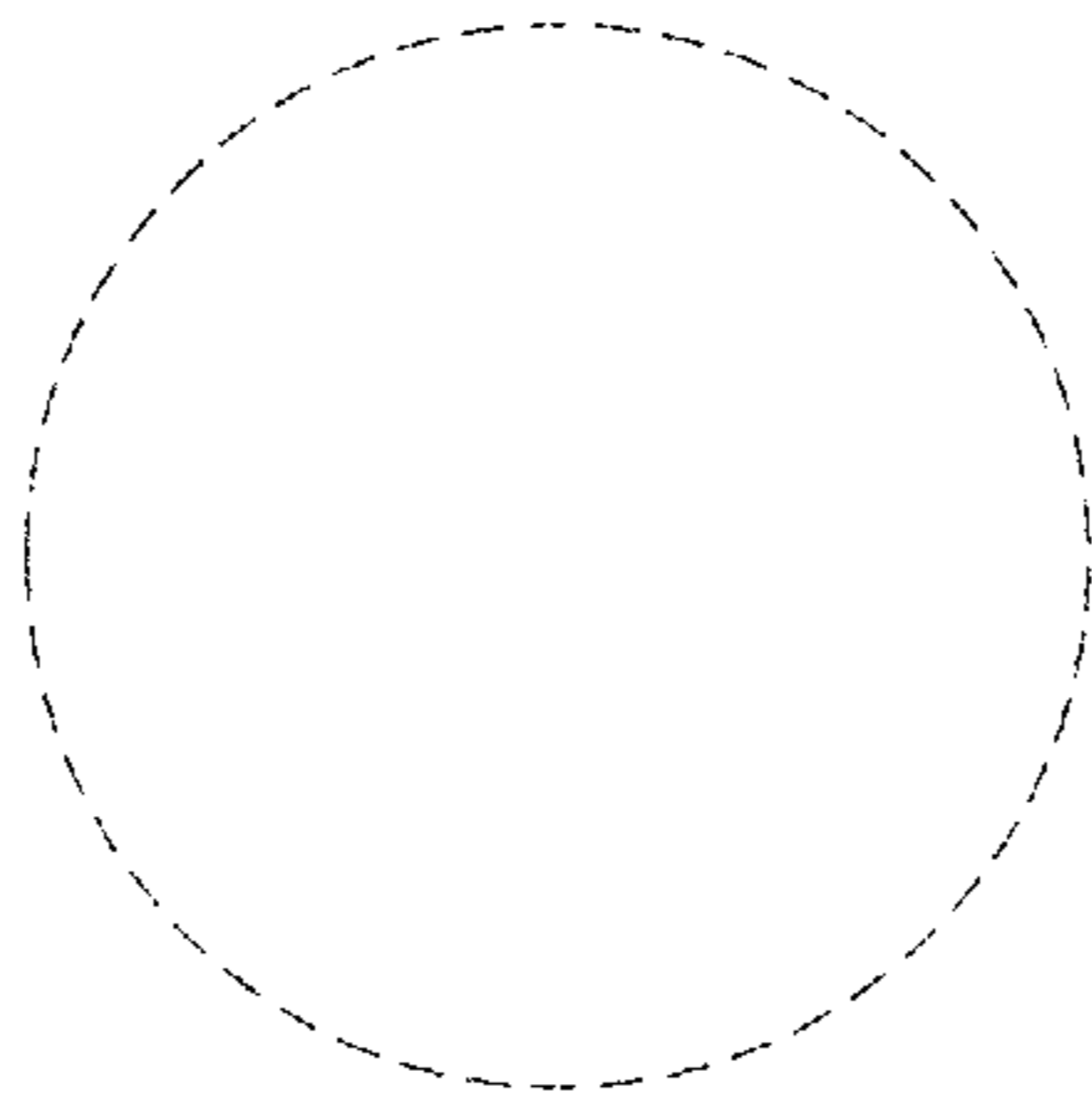


FIG. 8