



US00D888949S

(12) **United States Design Patent**  
**Beer et al.**

(10) **Patent No.:** **US D888,949 S**  
(45) **Date of Patent:** **\*\* Jun. 30, 2020**

(54) **INTRAVAGINAL DEVICE**  
(71) Applicant: **Renovia Inc.**, Boston, MA (US)  
(72) Inventors: **Marc D. Beer**, Sudbury, MA (US);  
**Jose Bohorquez**, Boston, MA (US);  
**Samantha J. Pulliam**, Boston, MA  
(US); **Jessica L. McKinney**, Boston,  
MA (US)  
(73) Assignee: **Renovia Inc.**, Boston, MA (US)  
(\*\*) Term: **15 Years**  
(21) Appl. No.: **29/686,271**  
(22) Filed: **Apr. 3, 2019**  
(51) **LOC (12) Cl.** ..... **24-02**  
(52) **U.S. Cl.**  
USPC ..... **D24/141**  
(58) **Field of Classification Search**  
USPC ..... D24/128, 135, 140, 121, 143, 152, 200,  
D24/214, 215; 600/29, 30; D16/237,  
D16/250  
CPC ..... A61B 1/31; A61B 1/272; A61B 1/303;  
A61B 1/00154; A61B 17/00; A61B  
17/17; A61F 6/00; A61F 6/06; A61F  
6/18; A61F 6/20; A61F 6/142; A61C  
5/82; G03B 42/042  
See application file for complete search history.

6,413,206 B2 \* 7/2002 Biswas ..... A61F 2/005  
600/29  
6,432,037 B1 \* 8/2002 Eini ..... A61B 5/04882  
128/898  
7,736,298 B2 \* 6/2010 Guerquin ..... A61F 2/005  
600/30  
2006/0211911 A1 \* 9/2006 Jao ..... A61F 2/005  
600/29  
2009/0216071 A1 \* 8/2009 Zipper ..... A61F 2/0009  
600/29

\* cited by examiner

*Primary Examiner* — Wan Laymon

*Assistant Examiner* — Clint A Samuel

(74) *Attorney, Agent, or Firm* — Clark & Elbing LLP

(56) **References Cited**  
U.S. PATENT DOCUMENTS  
5,386,836 A \* 2/1995 Biswas ..... A61F 2/005  
128/885  
D458,681 S \* 6/2002 Sherlock ..... D24/133

(57) **CLAIM**

The ornamental design for an intravaginal device, substan-  
tially as shown and described.

**DESCRIPTION**

FIG. 1 is a front and left side perspective view of an  
intravaginal device embodying the claimed design.  
FIG. 2 is a front view of the intravaginal device of FIG. 1.  
FIG. 3 is a rear view of the intravaginal device of FIG. 1.  
FIG. 4 is a right side view of the intravaginal device of FIG.  
1.  
FIG. 5 is a left side view of the intravaginal device of FIG.  
1.  
FIG. 6 is a top view of the intravaginal device of FIG. 1; and,  
FIG. 7 is a bottom view of the intravaginal device of FIG.  
1.

**1 Claim, 7 Drawing Sheets**

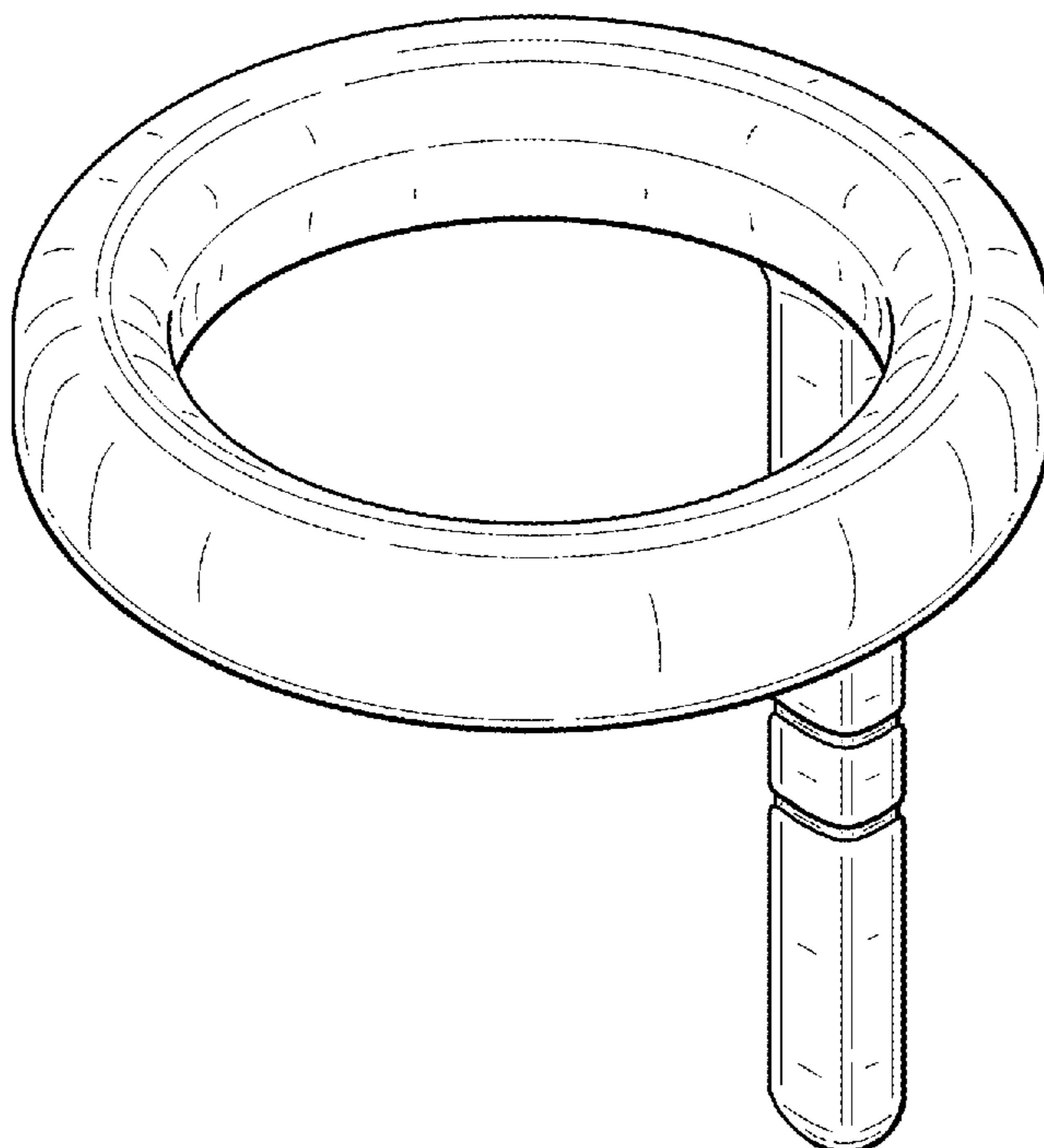


FIG. 1

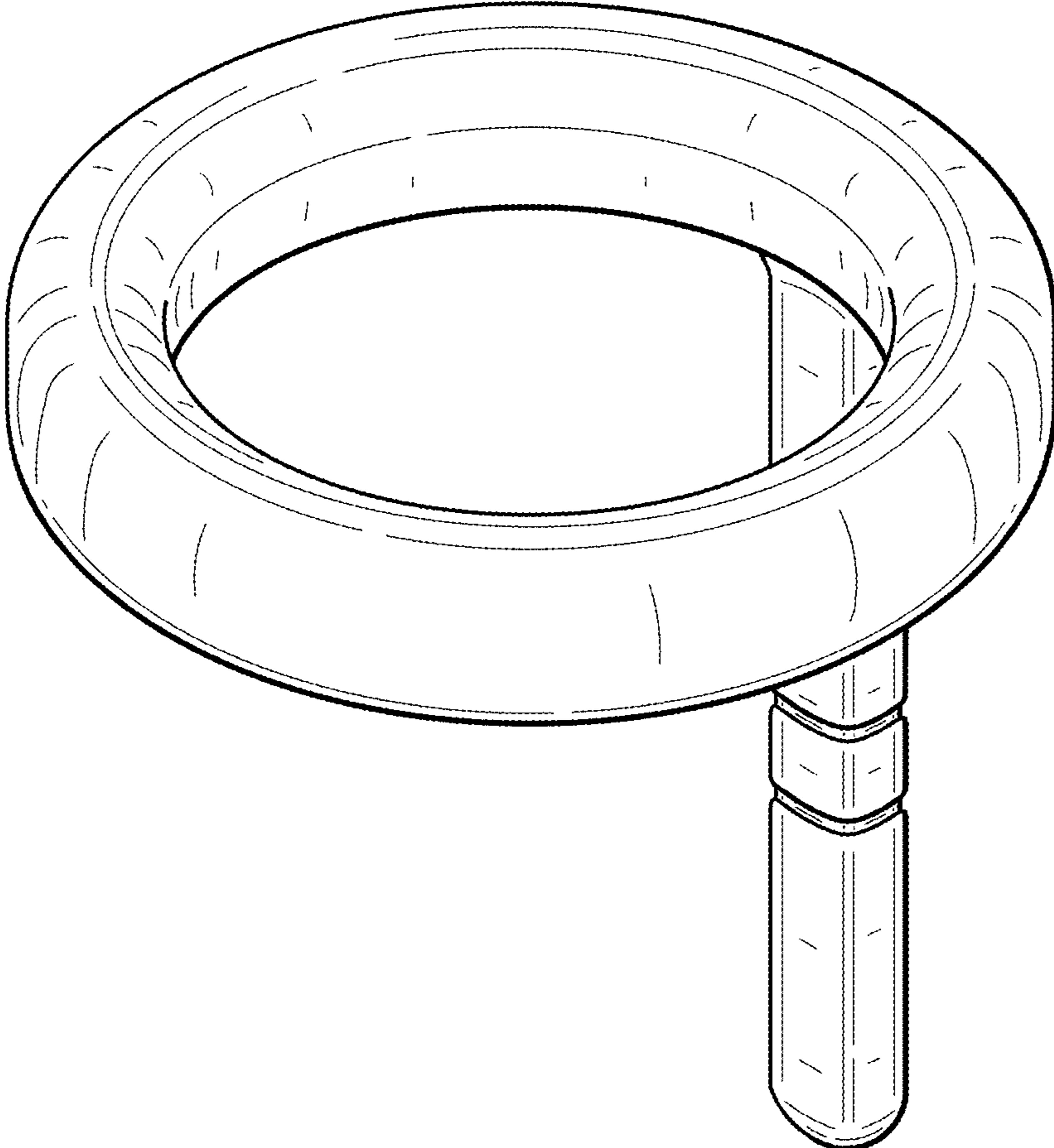


FIG. 2

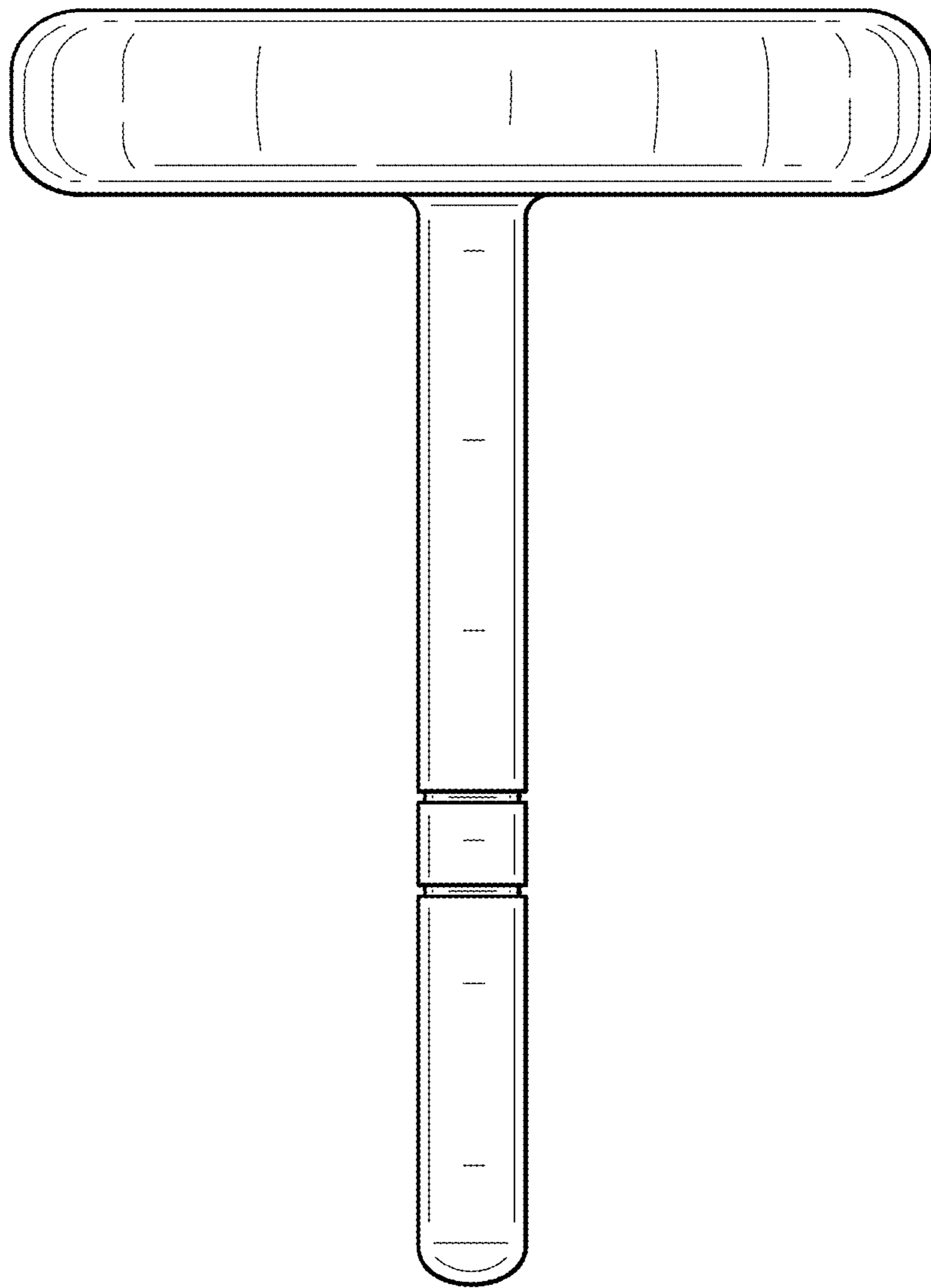


FIG. 3

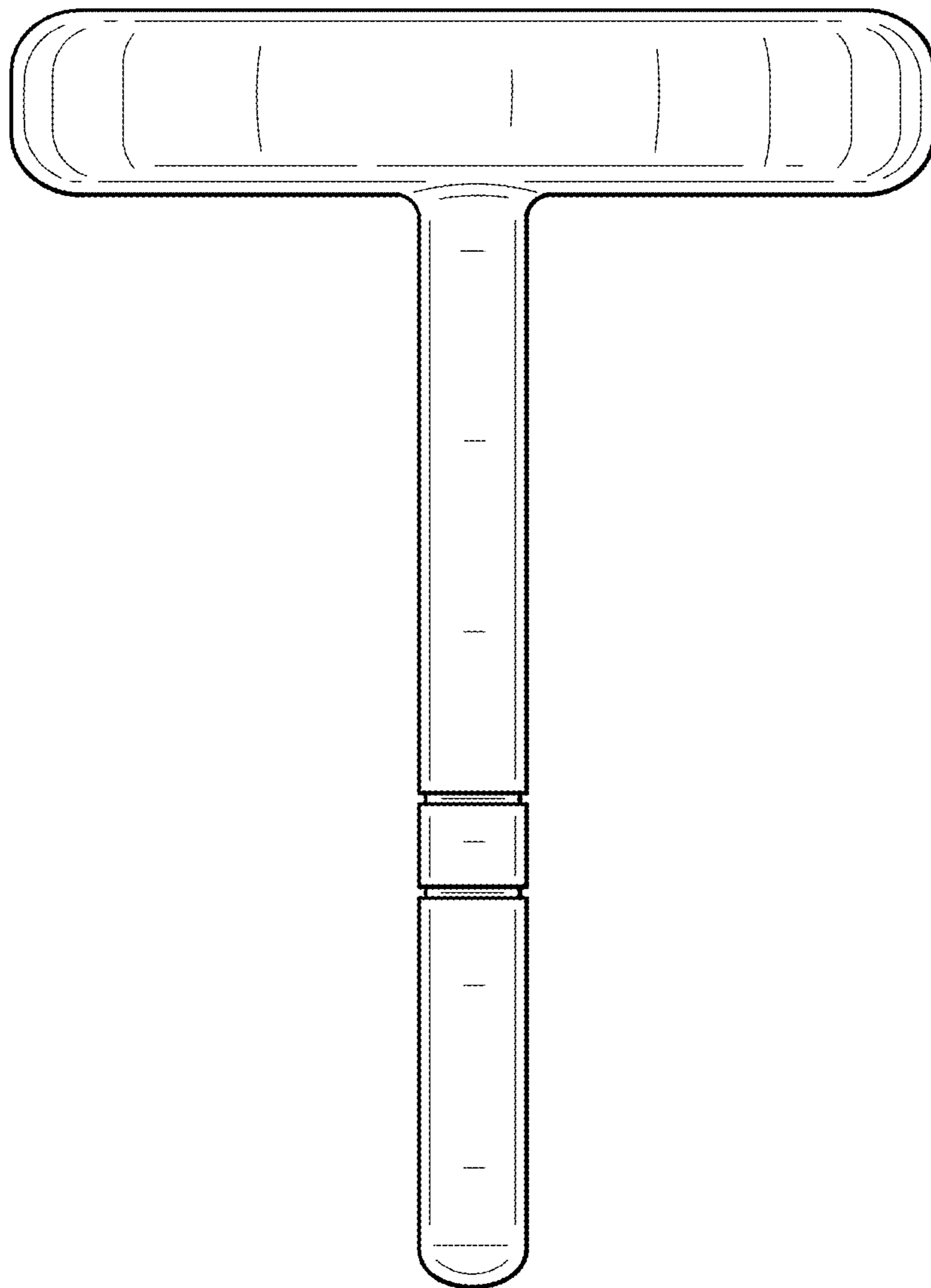


FIG. 4

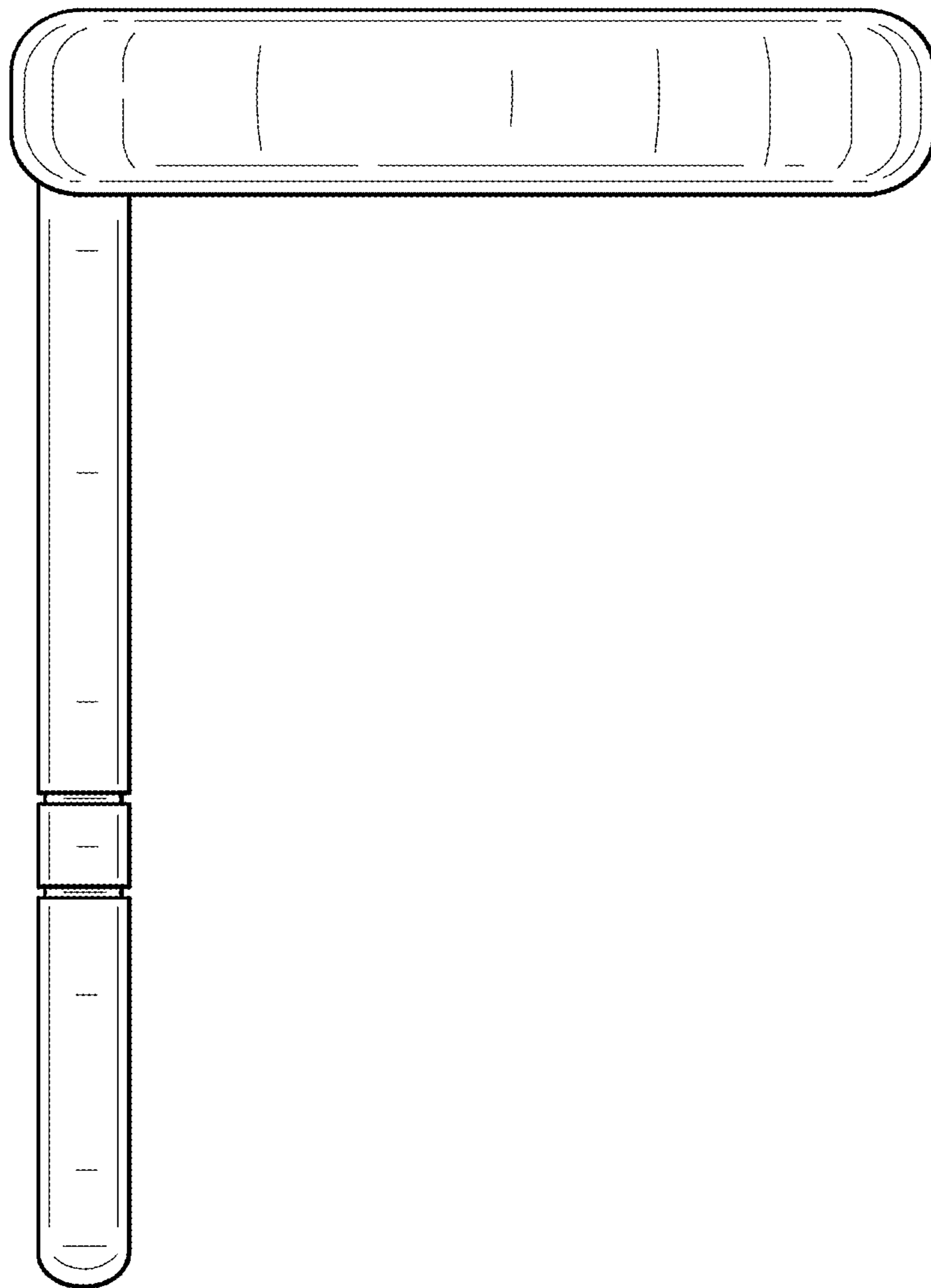


FIG. 5

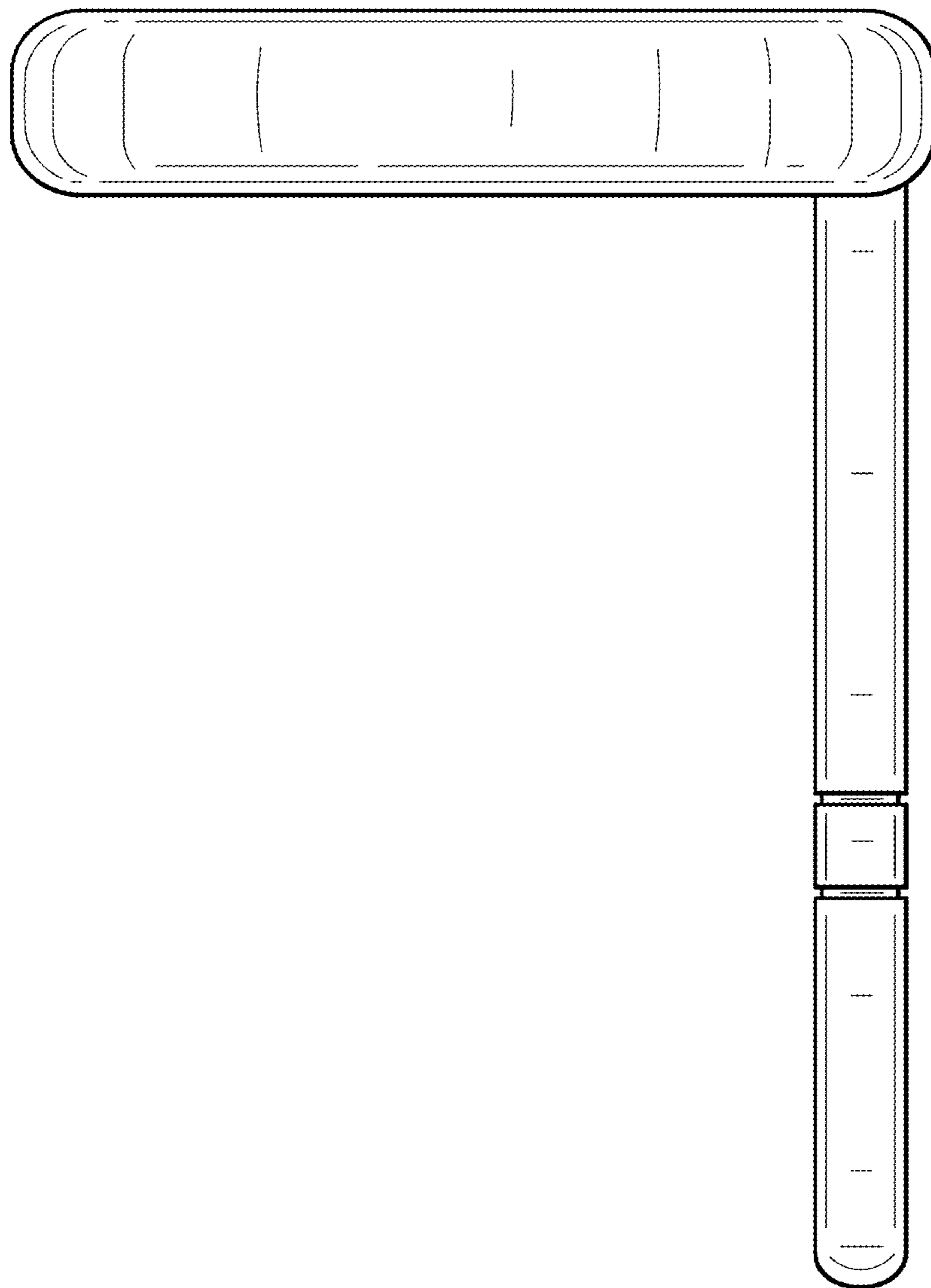


FIG. 6

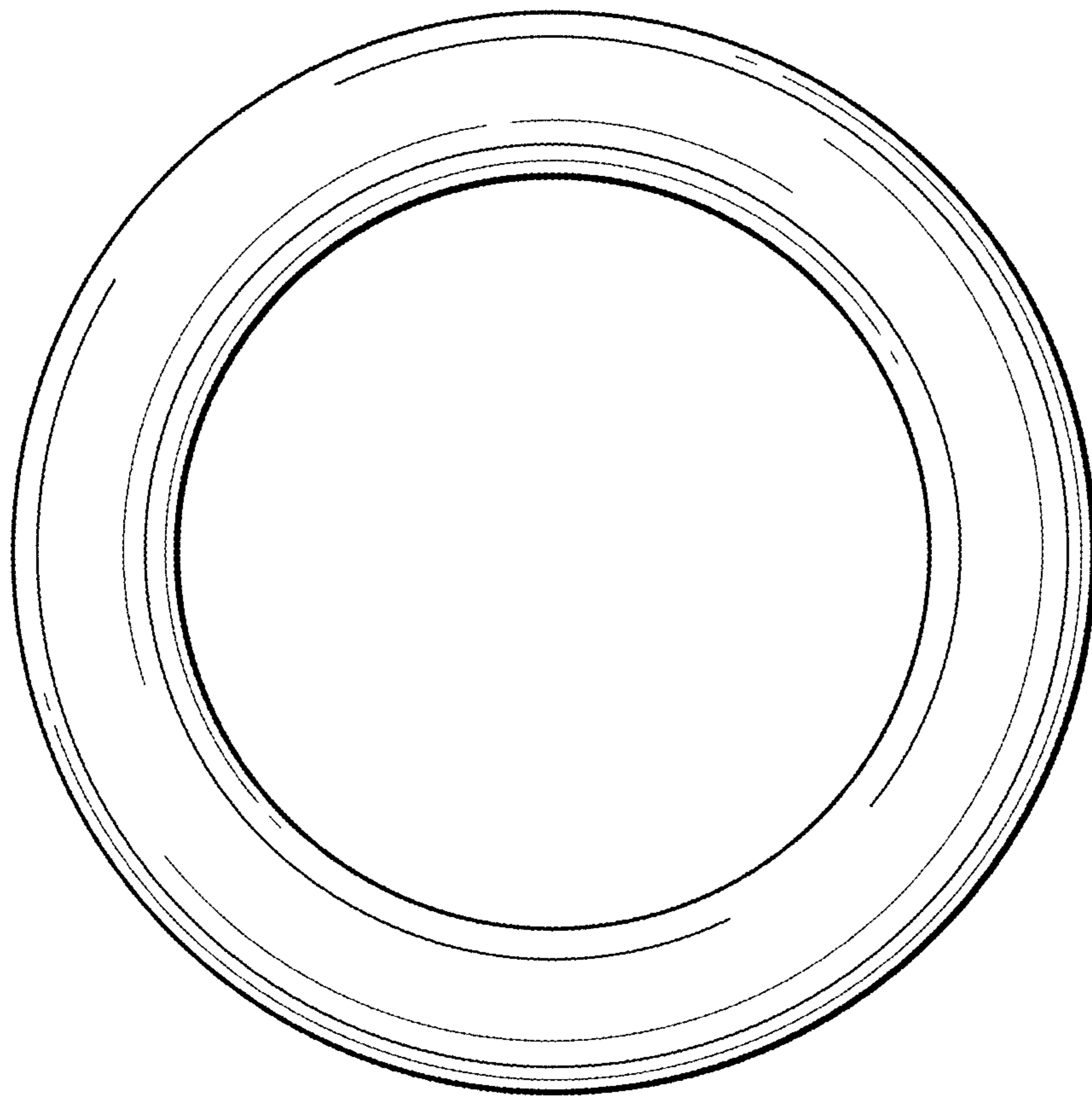


FIG. 7

