



US00D888945S

(12) **United States Design Patent** (10) **Patent No.:** **US D888,945 S**
Yemane-Tekeste et al. (45) **Date of Patent:** **** Jun. 30, 2020**

(54) **MEDICAL CONNECTOR**
(71) Applicant: **Becton Dickinson and Company Limited**, Dun Laoghaire (IE)
(72) Inventors: **Girum Yemane-Tekeste**, Hackensack, NJ (US); **Laurie Sanders**, Glen Ridge, NJ (US); **Jayeon Kim**, River Edge, NJ (US)
(73) Assignee: **Becton Dickinson and Company Limited**, Dun Laoghaire (IE)
(**) Term: **15 Years**

9,168,203 B2 10/2015 Rosenquist et al.
D747,472 S * 1/2016 Bradley D24/129
9,414,990 B2 8/2016 Ivosevic et al.
9,414,991 B2 8/2016 Sanders et al.
D773,659 S * 12/2016 Cain D24/129
9,597,260 B2 3/2017 Ivosevic et al.
D784,529 S * 4/2017 Steele D24/129
D785,170 S * 4/2017 Swisher D24/129
9,636,278 B2 5/2017 Sanders et al.
9,642,775 B2 5/2017 Sanders et al.
9,724,269 B2 8/2017 Sjogren et al.
9,822,891 B2 11/2017 Cederschiold
9,833,605 B2 12/2017 Sanders et al.
9,855,192 B2 1/2018 Kim et al.
9,919,826 B2 3/2018 Ivosevic et al.

(Continued)

(21) Appl. No.: **29/643,125**
(22) Filed: **Apr. 4, 2018**
(51) **LOC (12) Cl.** **24-02**
(52) **U.S. Cl.**
USPC **D24/129**
(58) **Field of Classification Search**
USPC D24/127-131, 112-114, 133, 186;
606/181, 185; 604/264, 523-528, 272,
604/187, 158, 164.01-164.11, 181, 184,
604/227; 600/101, 139, 143;
128/200.24, 207.14, 207.15
CPC .. A61M 25/065; A61M 5/42; A61M 25/0612;
A61M 25/00; A61M 39/00; A61M 27/00;
A61M 25/0043; A61M 25/0067; A61F
2/958
See application file for complete search history.

FOREIGN PATENT DOCUMENTS

WO 2013176586 A1 11/2013
WO 2015069643 A1 5/2015
WO 2015164365 A1 10/2015

Primary Examiner — David G Muller
(74) *Attorney, Agent, or Firm* — The Webb Law Firm

(57) **CLAIM**

The ornamental design for a medical connector, as shown and described.

DESCRIPTION

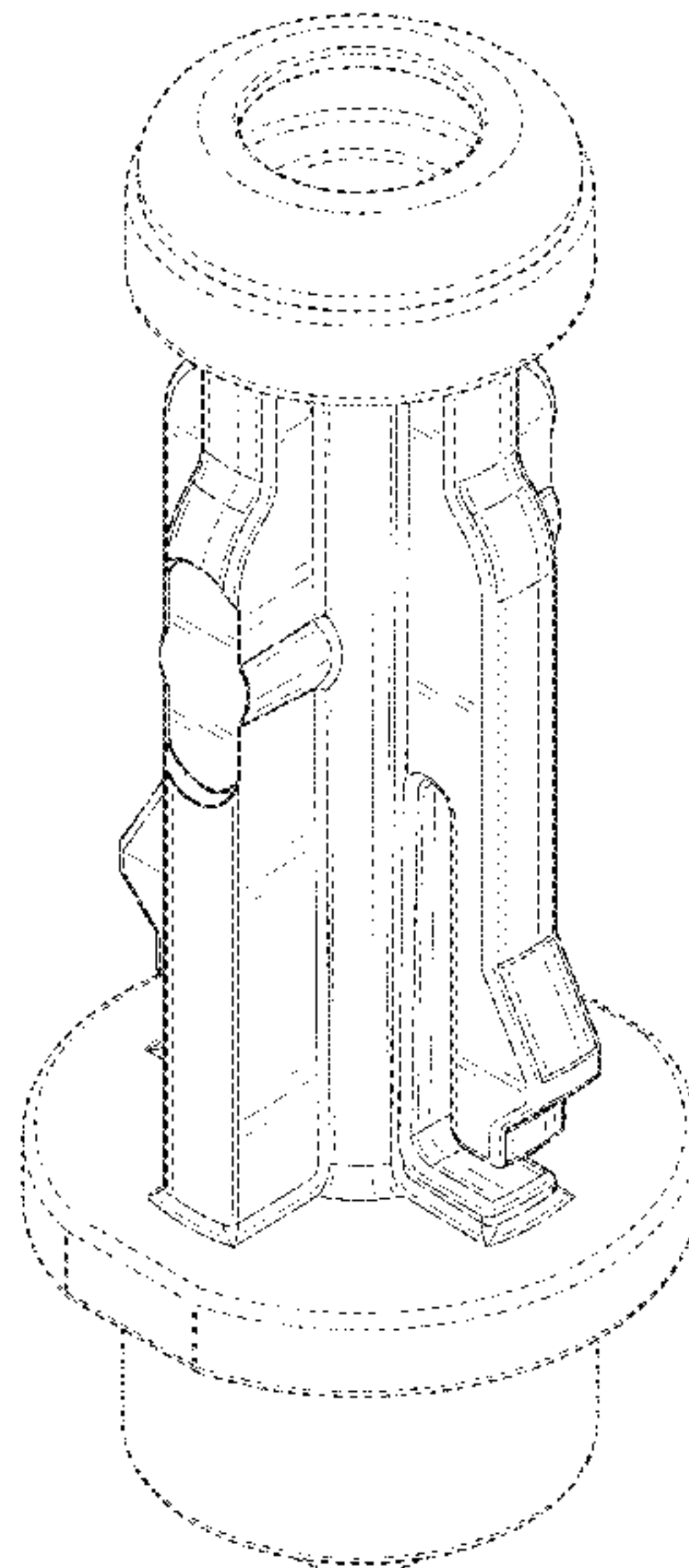
FIG. 1 is a perspective view of a medical connector showing our new design;
FIG. 2 is a front elevation view thereof;
FIG. 3 is a rear elevation view thereof;
FIG. 4 is a left side elevation view thereof;
FIG. 5 is a right side elevation view thereof;
FIG. 6 is a top plan view thereof; and,
FIG. 7 is a bottom plan view thereof.
The broken line showing of parts of the drawings is included for the purpose of illustrating use and environment and forms no part of the claimed design.

(56) **References Cited**

U.S. PATENT DOCUMENTS

D639,939 S * 6/2011 Klockars D24/129
D644,733 S * 9/2011 Ellis D24/130
D717,947 S 11/2014 Cederschiold
D720,067 S * 12/2014 Rosenquist D24/129
D720,451 S * 12/2014 Denenburg D24/129
9,089,474 B2 7/2015 Cederschiold

1 Claim, 7 Drawing Sheets



(56)

References Cited

U.S. PATENT DOCUMENTS

9,956,138	B2	5/2018	Ohlin	
9,968,771	B2	5/2018	Wong	
9,980,878	B2	5/2018	Marici et al.	
D845,474	S *	4/2019	Gloria Bello	D24/129
D846,737	S *	4/2019	Karasawa	D24/130
D849,936	S *	5/2019	Allard	D24/129
D849,938	S *	5/2019	Gloria Bello	D24/129
D851,243	S *	6/2019	Gloria Bello	D24/129
2014/0276649	A1	9/2014	Ivosevic et al.	
2015/0297451	A1	10/2015	Marici et al.	
2015/0297459	A1	10/2015	Sanders	
2016/0287475	A1	10/2016	Yevmenenko et al.	
2016/0361504	A1	12/2016	Kim et al.	
2017/0087297	A1	3/2017	Hanner et al.	
2018/0200145	A1	7/2018	Sanders et al.	
2018/0200146	A1	7/2018	Sanders et al.	
2018/0200147	A1	7/2018	Sanders	
2018/0200148	A1	7/2018	Sanders	
2018/0200498	A1	7/2018	Sanders	

* cited by examiner

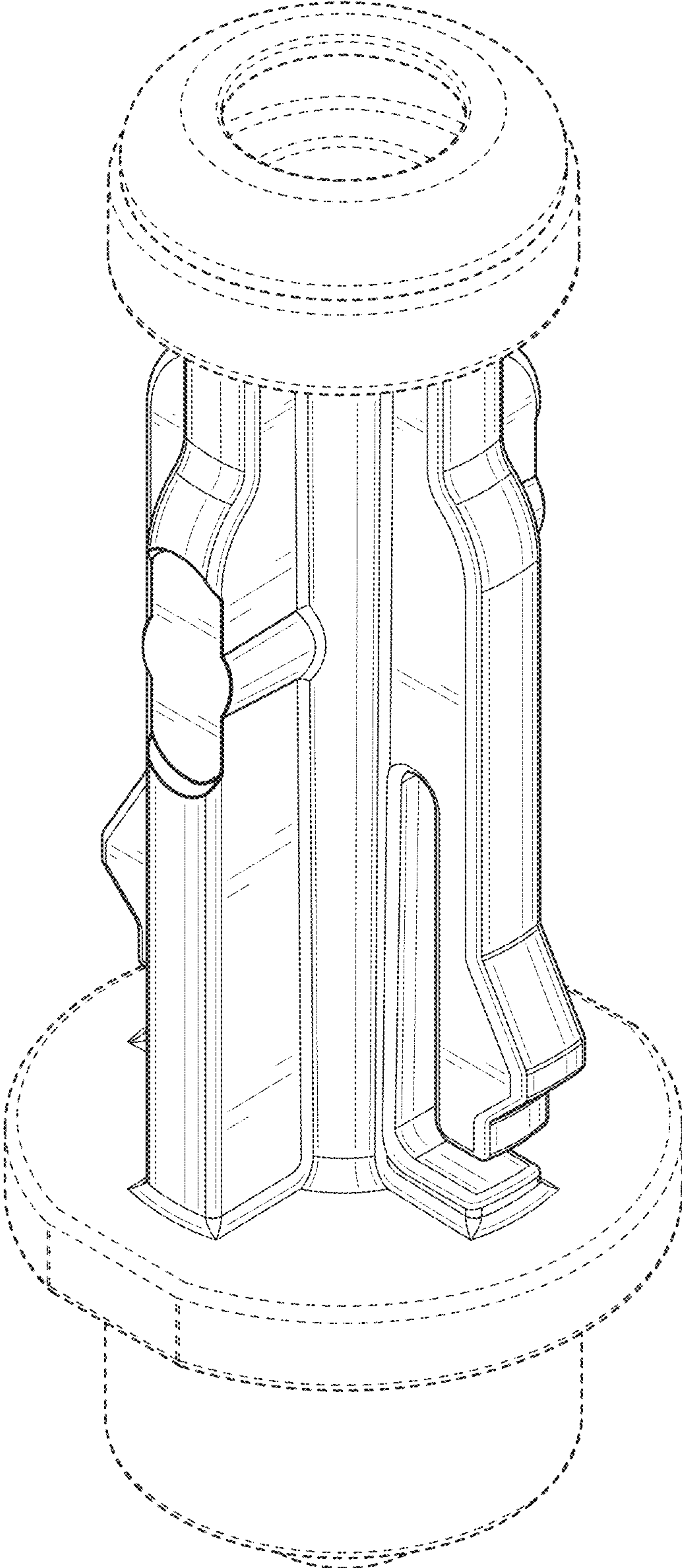


FIG. 1

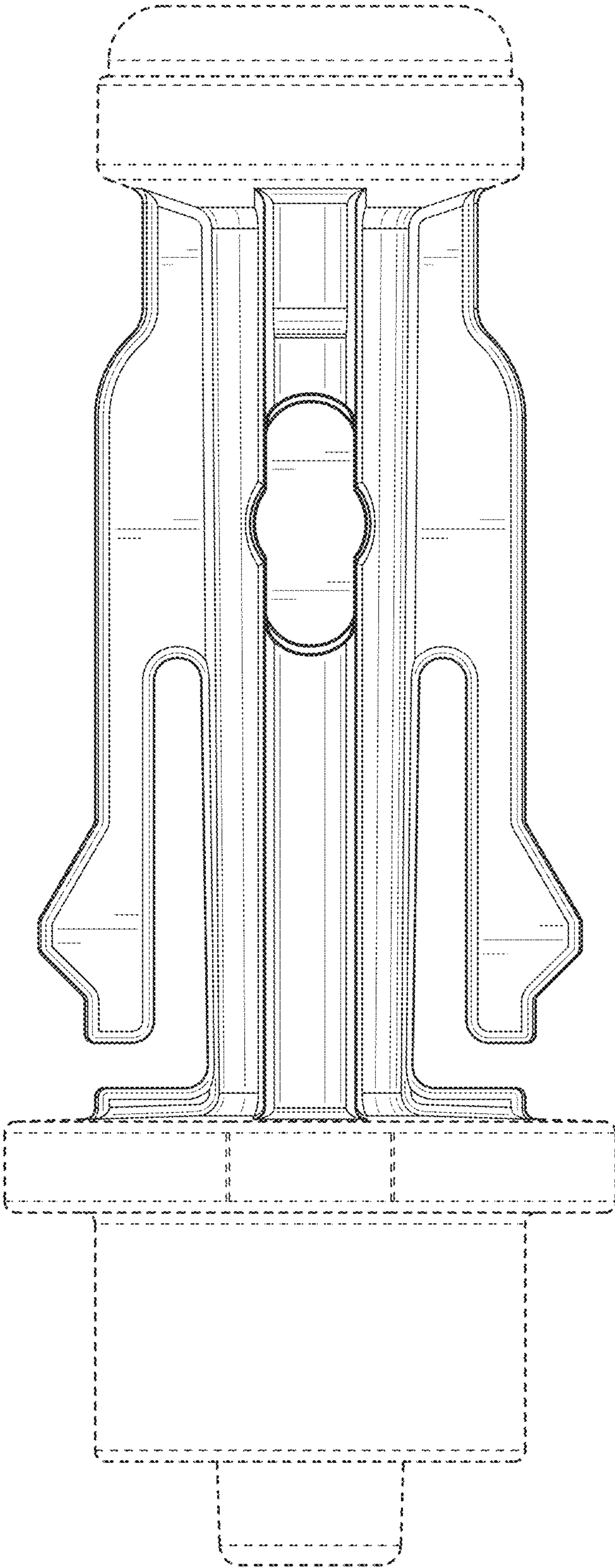


FIG. 2

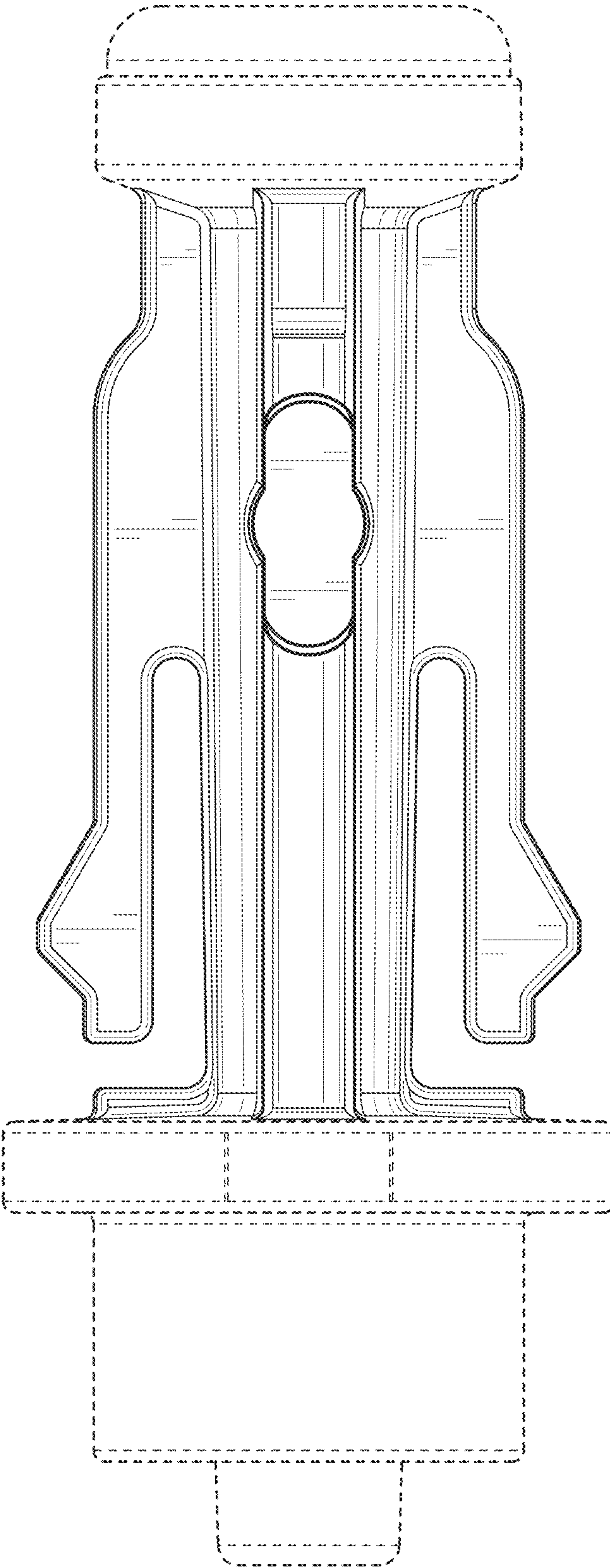


FIG. 3

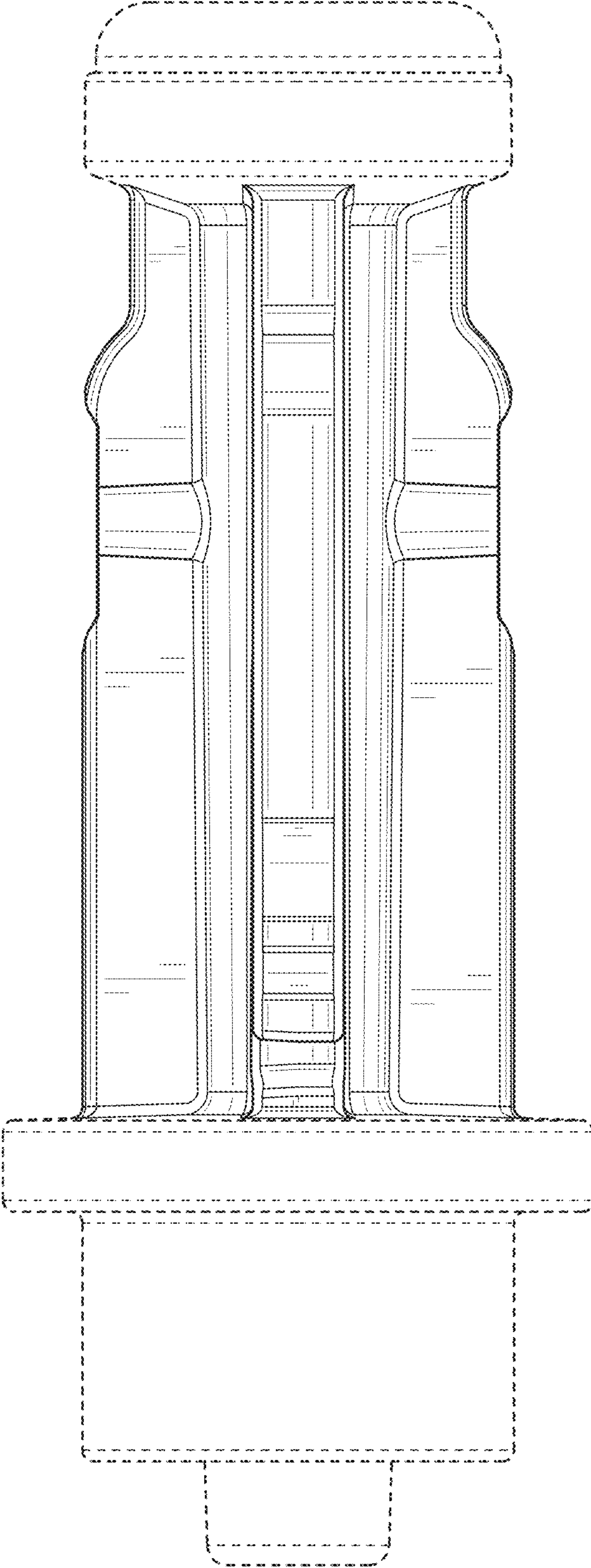


FIG. 4

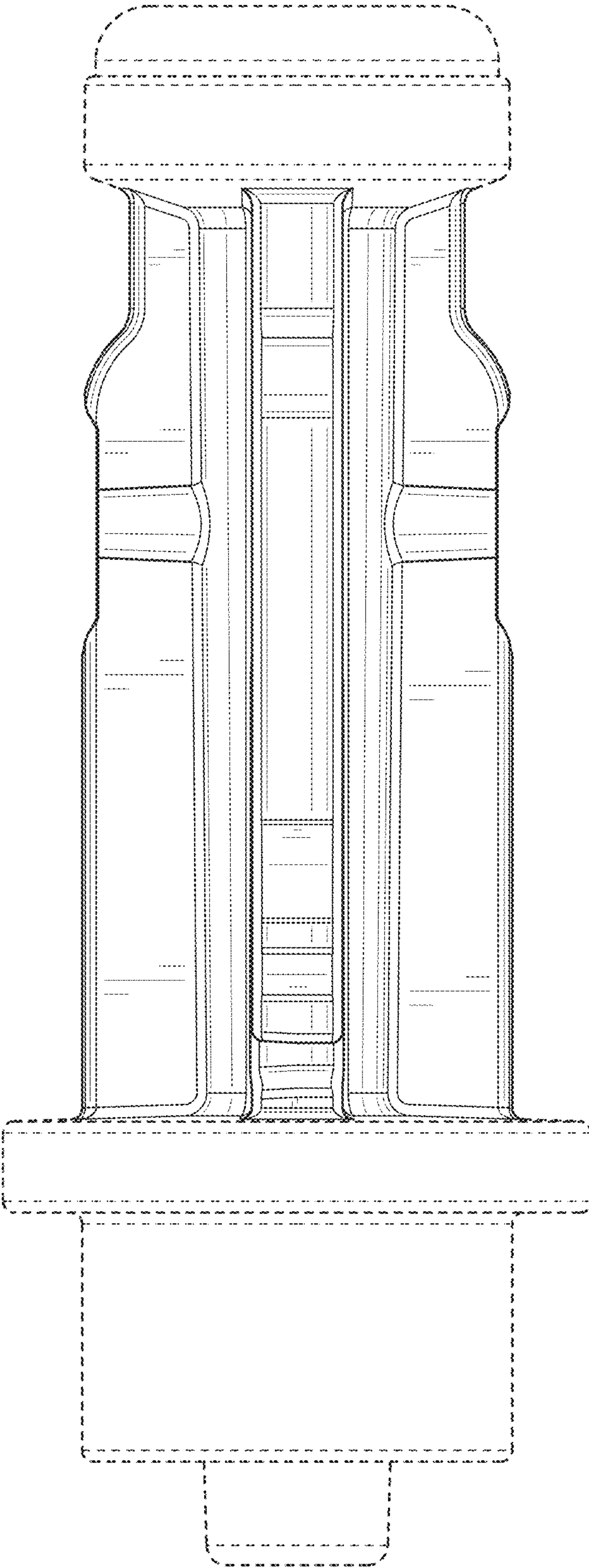


FIG. 5

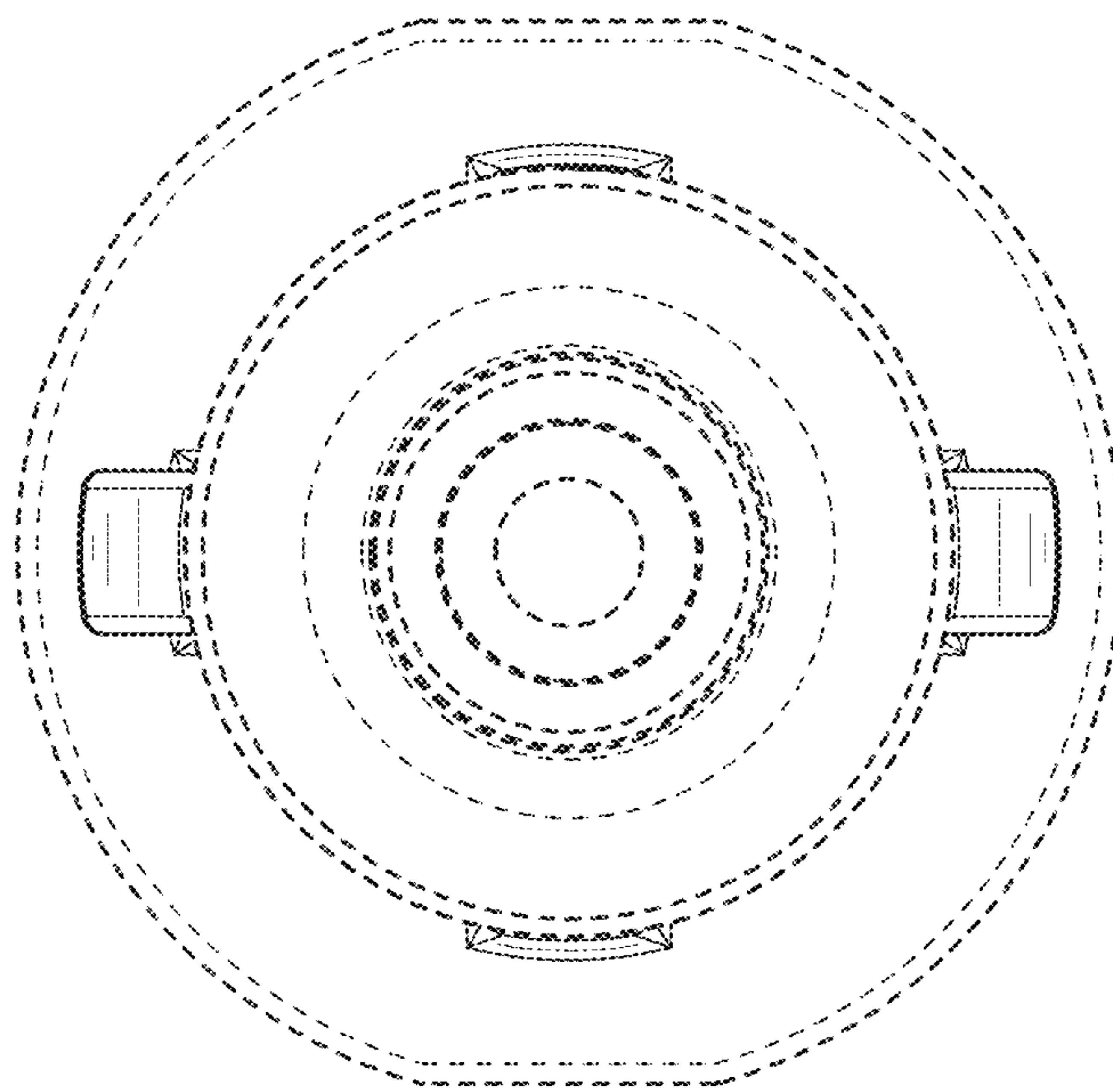


FIG. 6

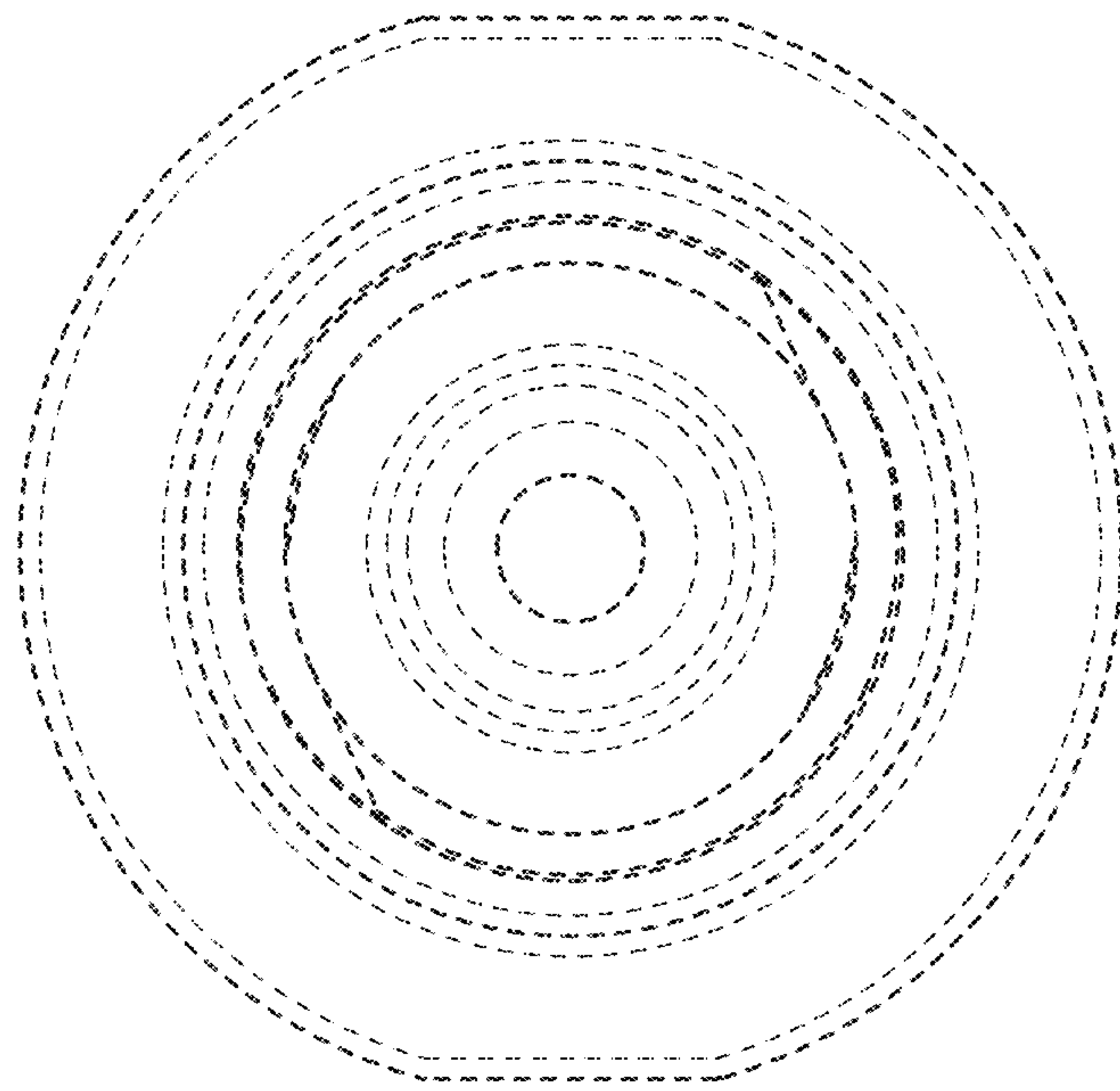


FIG. 7