



US00D888944S

(12) **United States Design Patent** (10) **Patent No.:** **US D888,944 S**
Silbert et al. (45) **Date of Patent:** **** Jun. 30, 2020**

(54) **RECEPTACLE SUPPORT**

(71) Applicant: **Gen-Probe Incorporated**, San Diego, CA (US)

(72) Inventors: **Rolf Silbert**, Del Mar, CA (US);
HongRan Peng, San Diego, CA (US)

(73) Assignee: **Gen-Probe Incorporated**, San Diego, CA (US)

(**) Term: **15 Years**

(21) Appl. No.: **29/689,961**

(22) Filed: **May 3, 2019**

(51) **LOC (12) Cl.** **24-02**

(52) **U.S. Cl.**
USPC **D24/128**

(58) **Field of Classification Search**
USPC D24/127-131, 112-114, 133, 186;
606/181, 185; 604/264, 523-528, 272,
604/187, 158, 164.01-164.11, 181, 184,
604/227; 600/101, 139, 143;
128/200.24, 207.14, 207.15
CPC .. A61M 25/065; A61M 5/42; A61M 25/0612;
A61M 25/00; A61M 39/00; A61M 27/00;
A61M 25/0043; A61M 25/0067; A61M
25/0097

See application file for complete search history.

(56) **References Cited**

U.S. PATENT DOCUMENTS

D282,402 S * 1/1986 Schmidt D24/147
D304,420 S * 11/1989 Alexander D8/98
D326,593 S * 6/1992 Ward D8/14
D370,532 S * 6/1996 Epstein D24/146
D397,007 S * 8/1998 Schultz 30/346
D406,501 S * 3/1999 Schultz D8/20
D406,502 S * 3/1999 Schultz D8/20
D406,503 S * 3/1999 Schultz D8/20

D409,070 S * 5/1999 Elishewitz D8/98
D422,476 S * 4/2000 McHenry D8/20
D430,668 S * 9/2000 Koros D24/135
D510,768 S * 10/2005 Farley D24/135
D593,373 S * 6/2009 Epstein D7/649
D666,667 S * 9/2012 Present D19/110
D666,668 S * 9/2012 Present D19/110
D666,669 S * 9/2012 Present D19/110
D669,581 S * 10/2012 Van Wyk D24/144
D669,988 S * 10/2012 Packard D24/147
D686,900 S * 7/2013 Ohlrich D8/99
D689,545 S * 9/2013 Present D19/110
D705,614 S * 5/2014 Kusanagi D7/649
D779,297 S * 2/2017 Scimone D8/20
D796,923 S * 9/2017 Scimone D8/20
D803,656 S * 11/2017 Stinson D8/99
D813,623 S * 3/2018 Marfione D8/20
D852,011 S * 6/2019 Lemmons D8/7

* cited by examiner

Primary Examiner — Nathan M Johnston

(74) *Attorney, Agent, or Firm* — Bookoff McAndrews, PLLC; Charles B. Cappellari

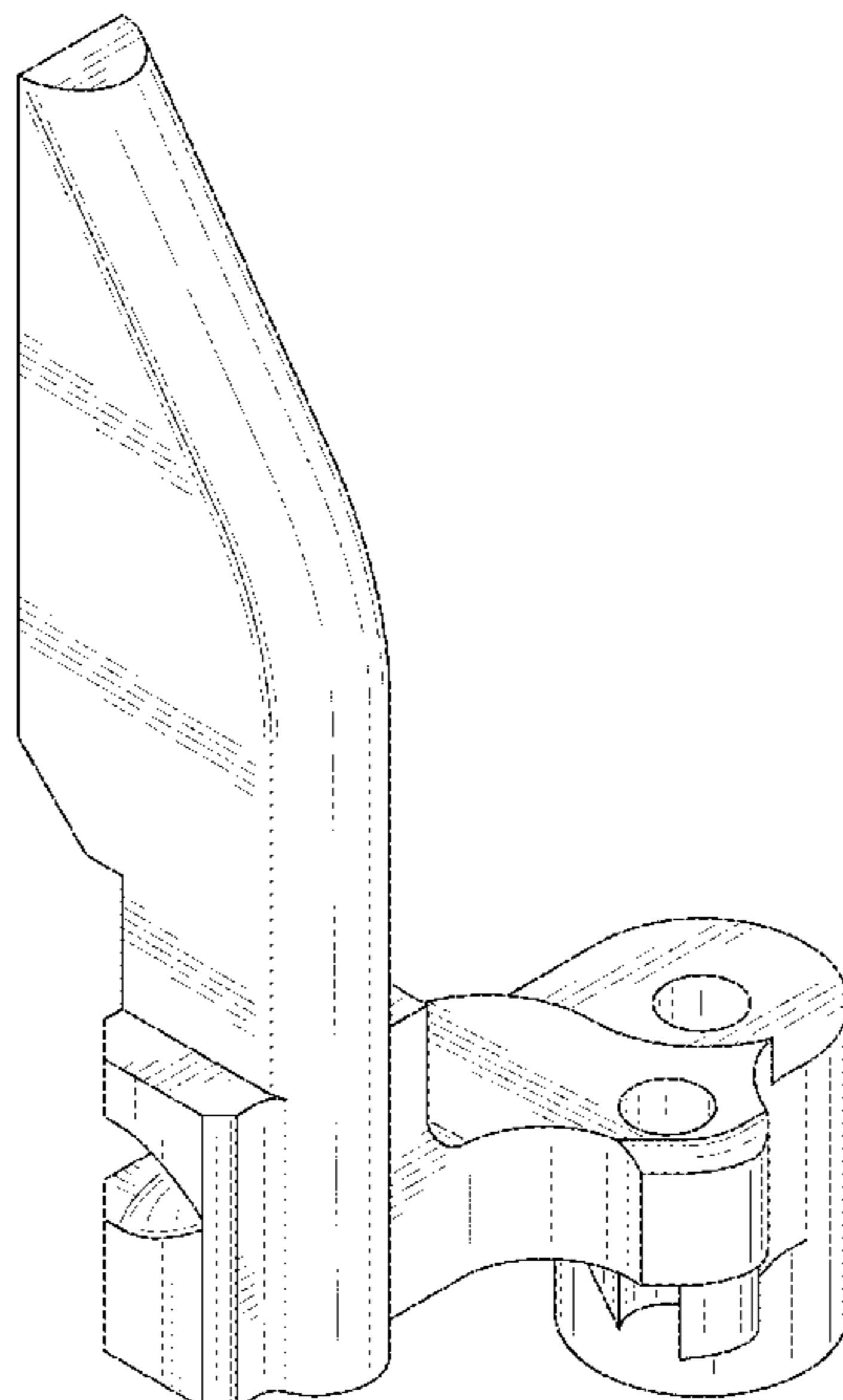
(57) **CLAIM**

The ornamental design for a receptacle support, as shown and described.

DESCRIPTION

FIG. 1 is a front elevation view of the receptacle support showing our new design;
FIG. 2 is a right side elevation view thereof;
FIG. 3 is a left side elevation view thereof;
FIG. 4 is a back elevation view thereof;
FIG. 5 is a top plan view thereof;
FIG. 6 is a bottom plan view thereof;
FIG. 7 is a top left perspective view thereof;
FIG. 8 is a top right perspective view thereof;
FIG. 9 is a bottom right perspective view thereof; and,
FIG. 10 is a bottom left perspective view thereof.

1 Claim, 8 Drawing Sheets



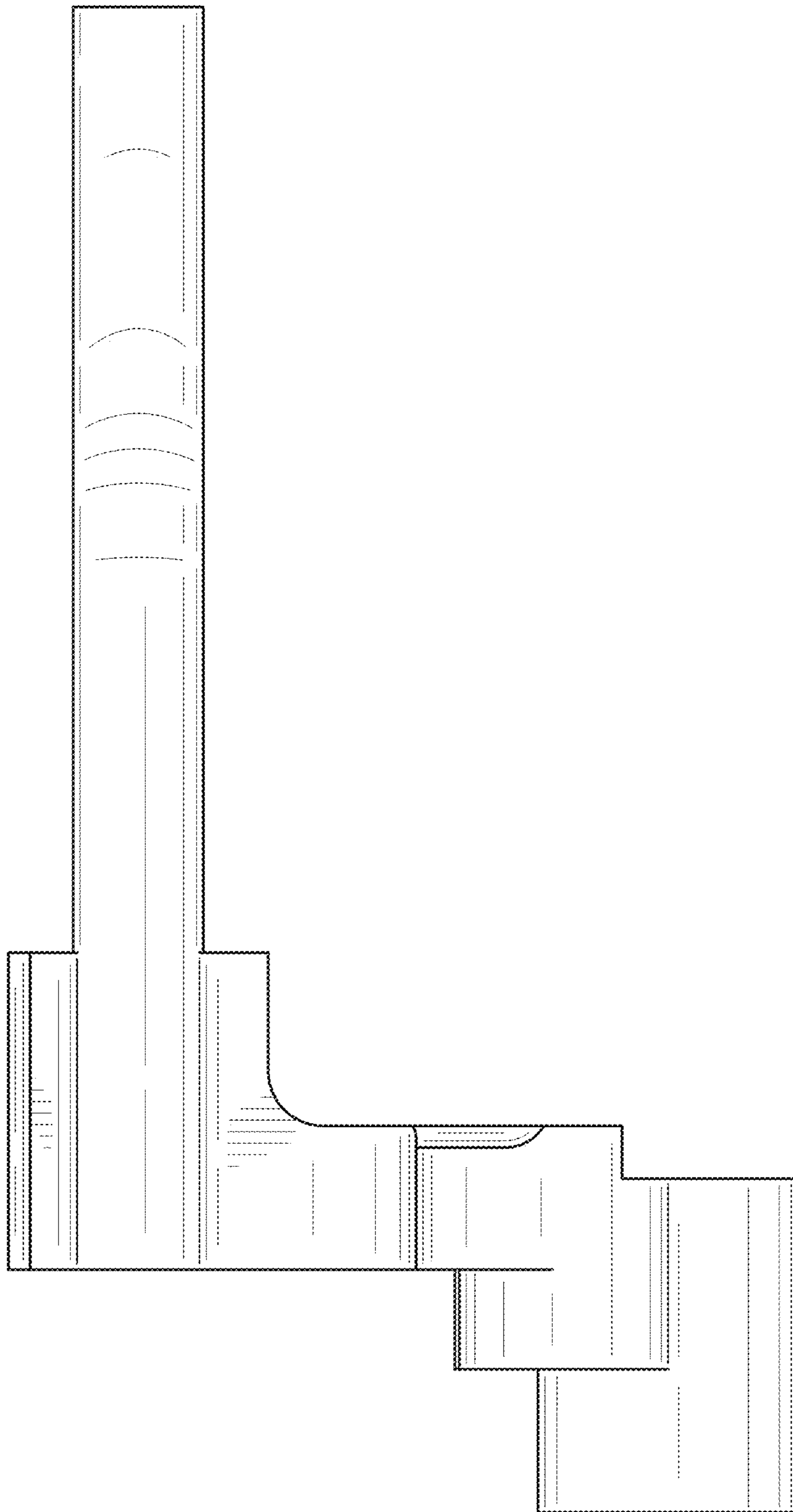


FIG. 1

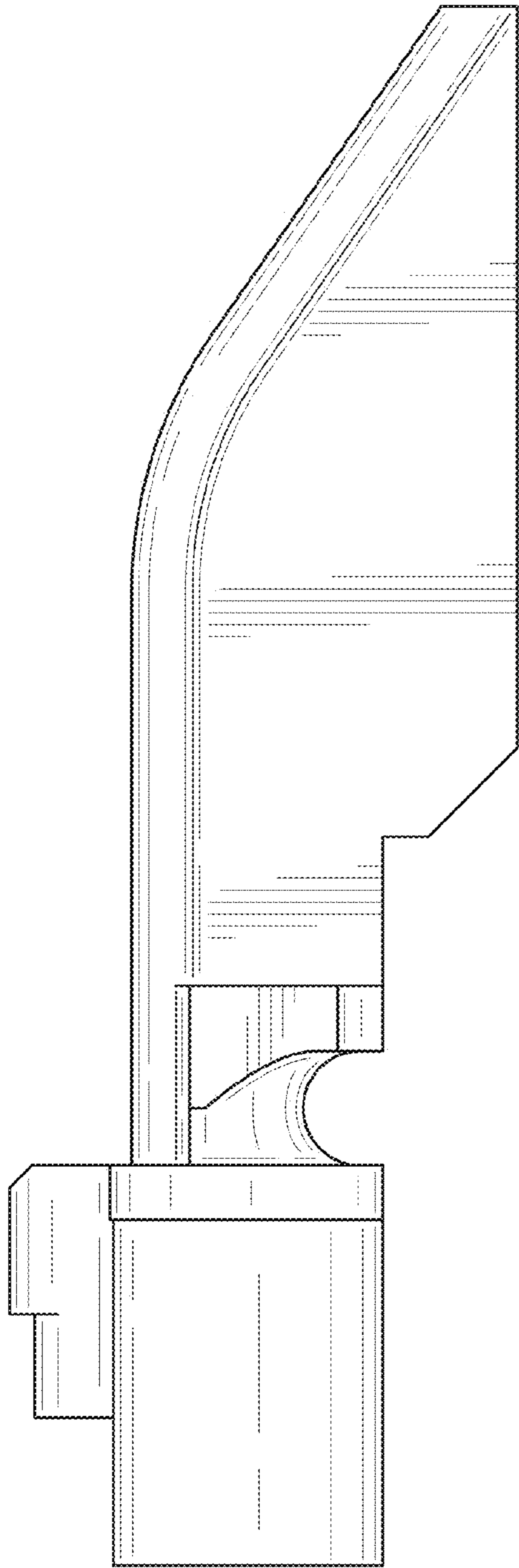


FIG. 2

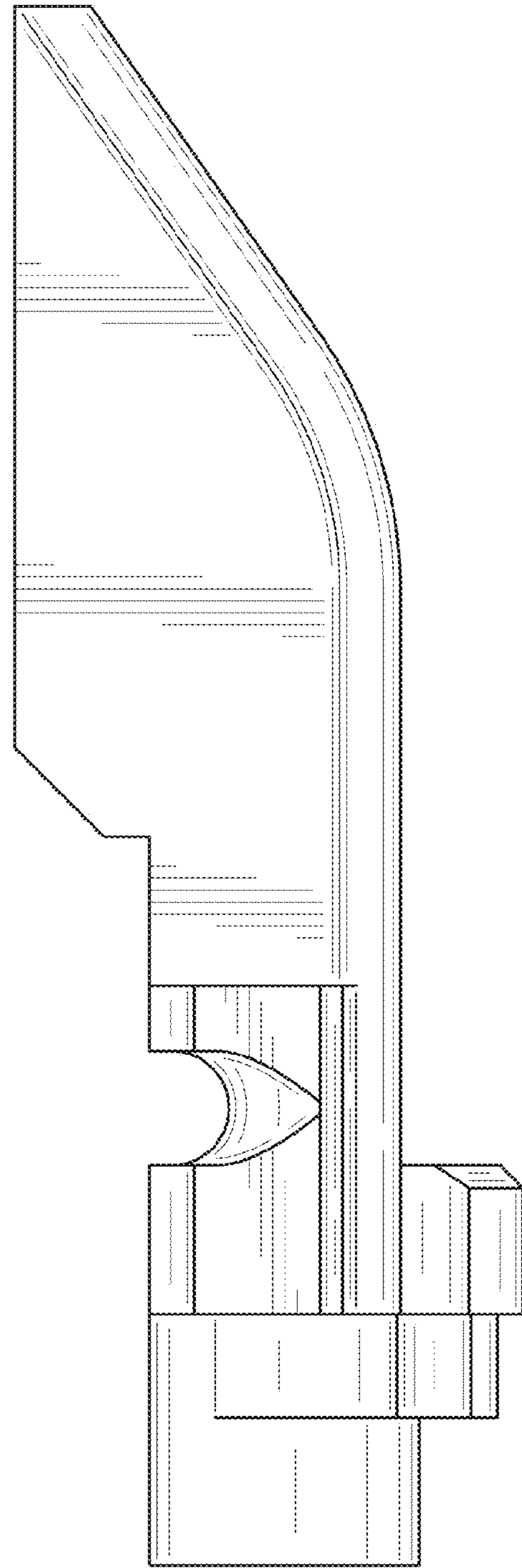


FIG. 3

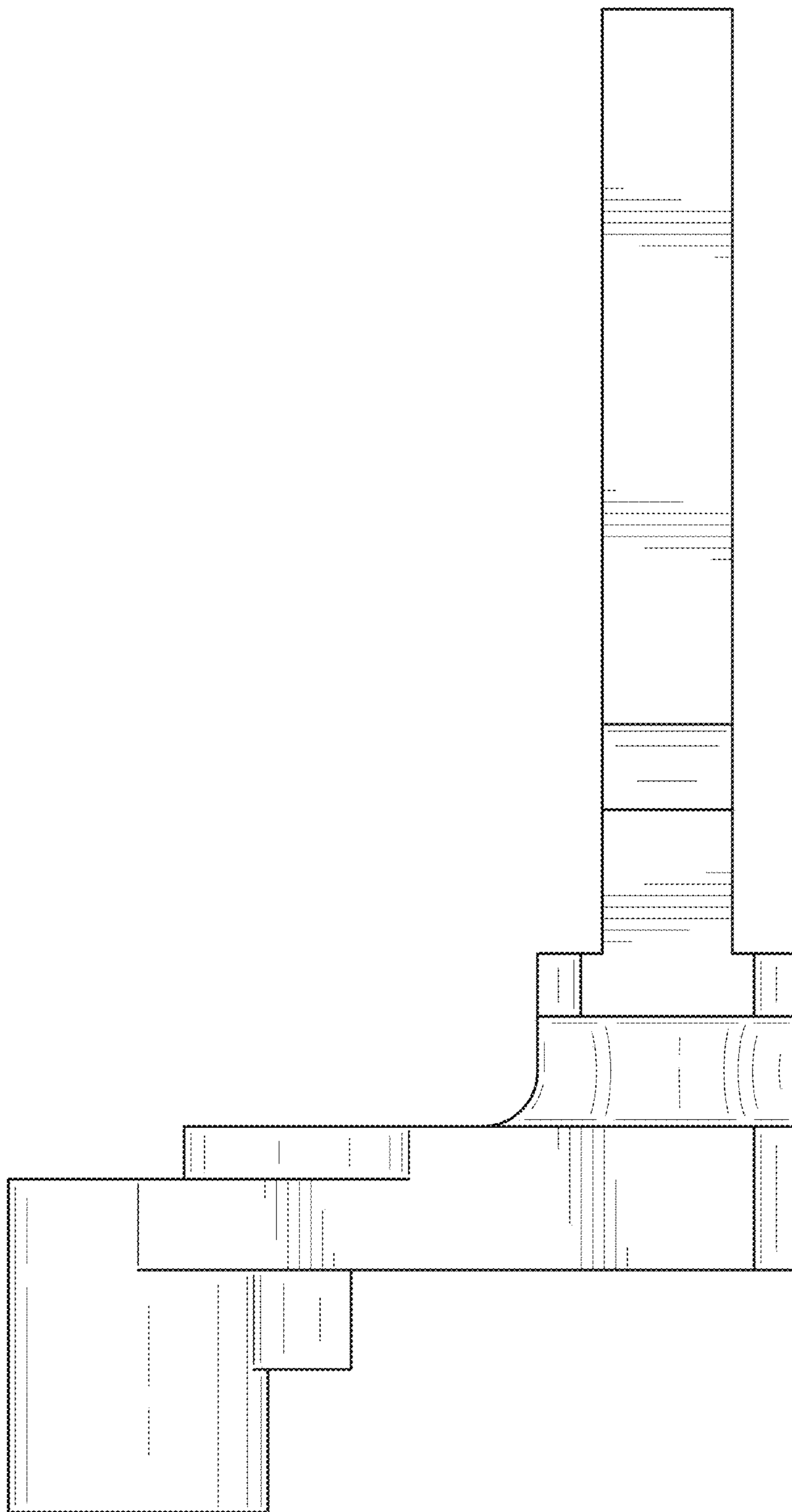


FIG. 4

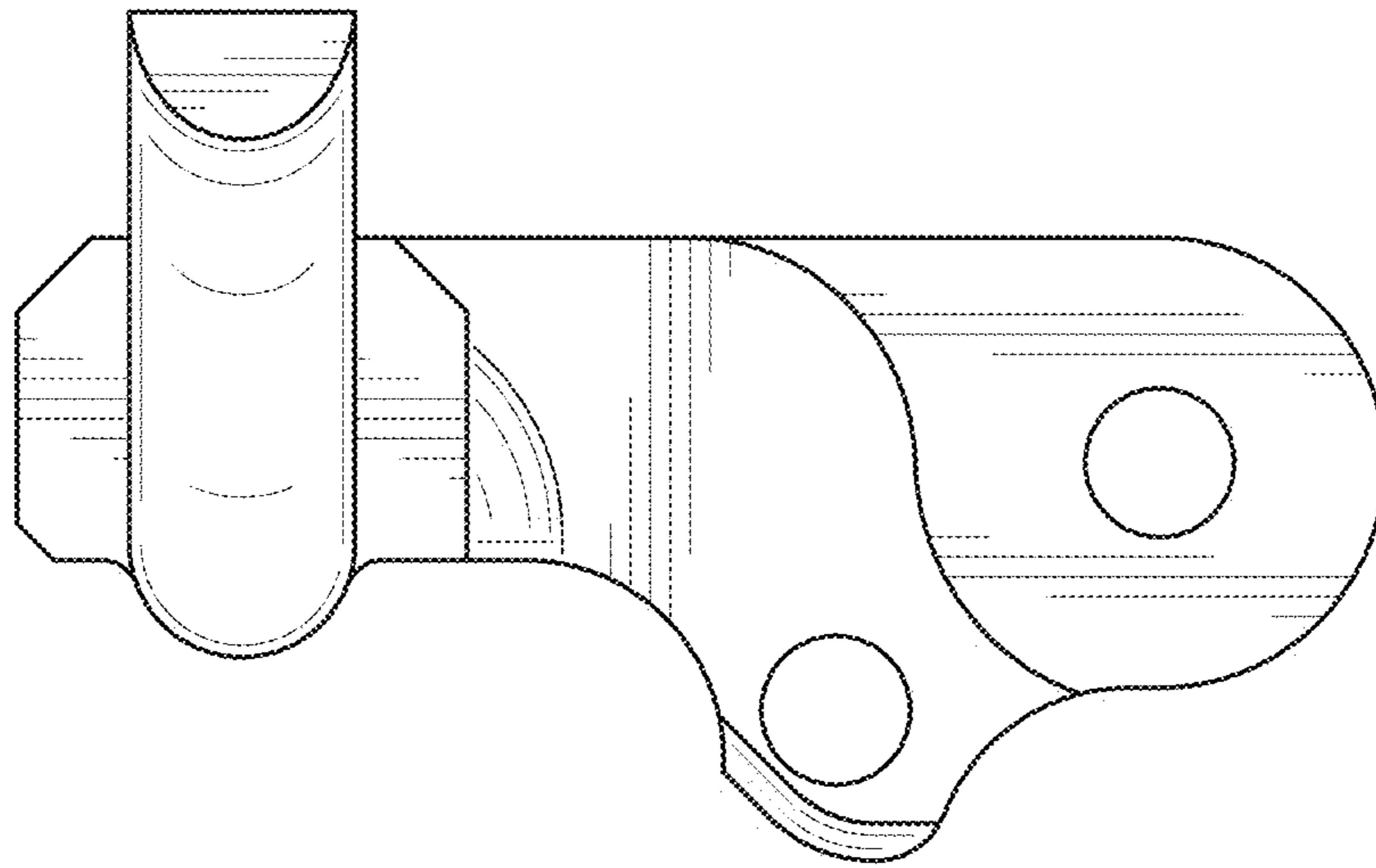


FIG. 5

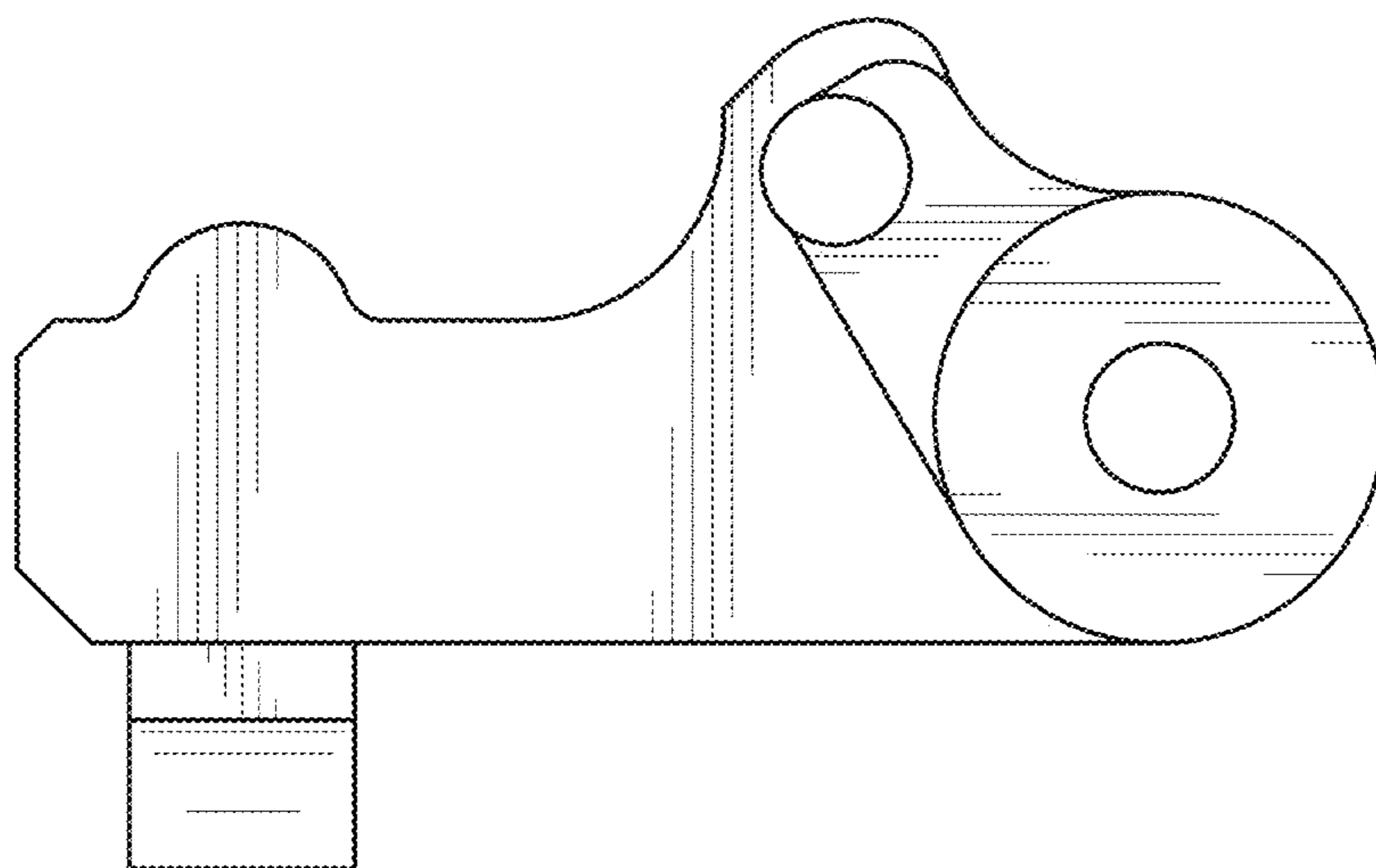


FIG. 6

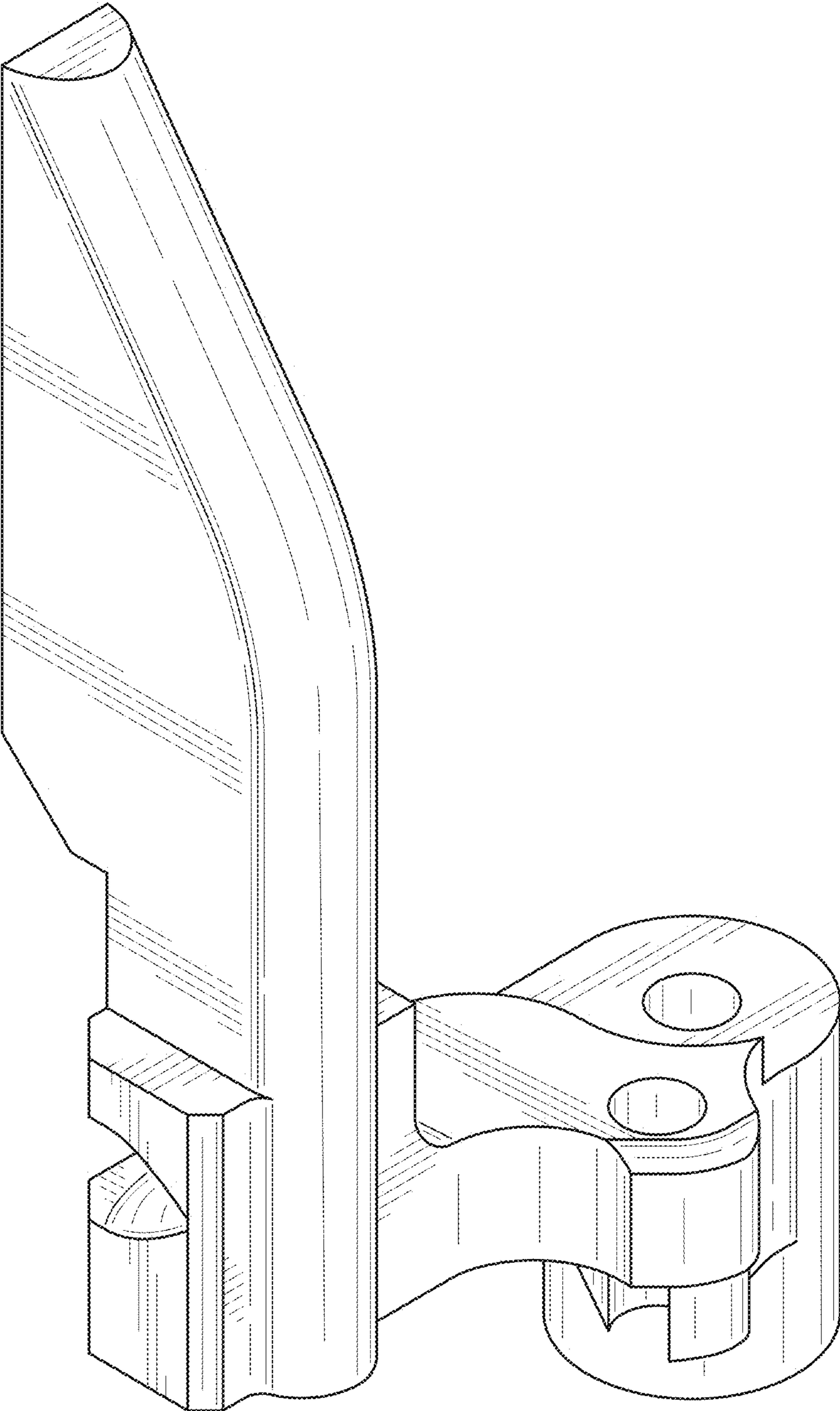


FIG. 7

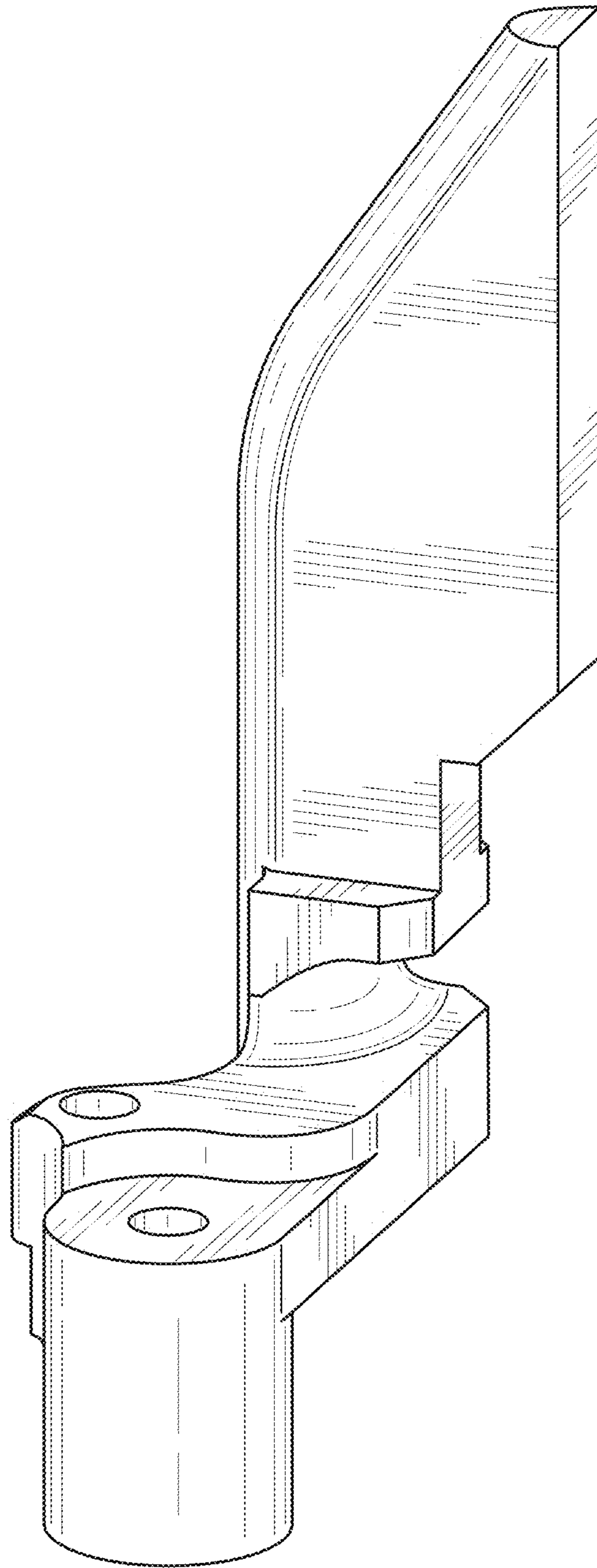


FIG. 8

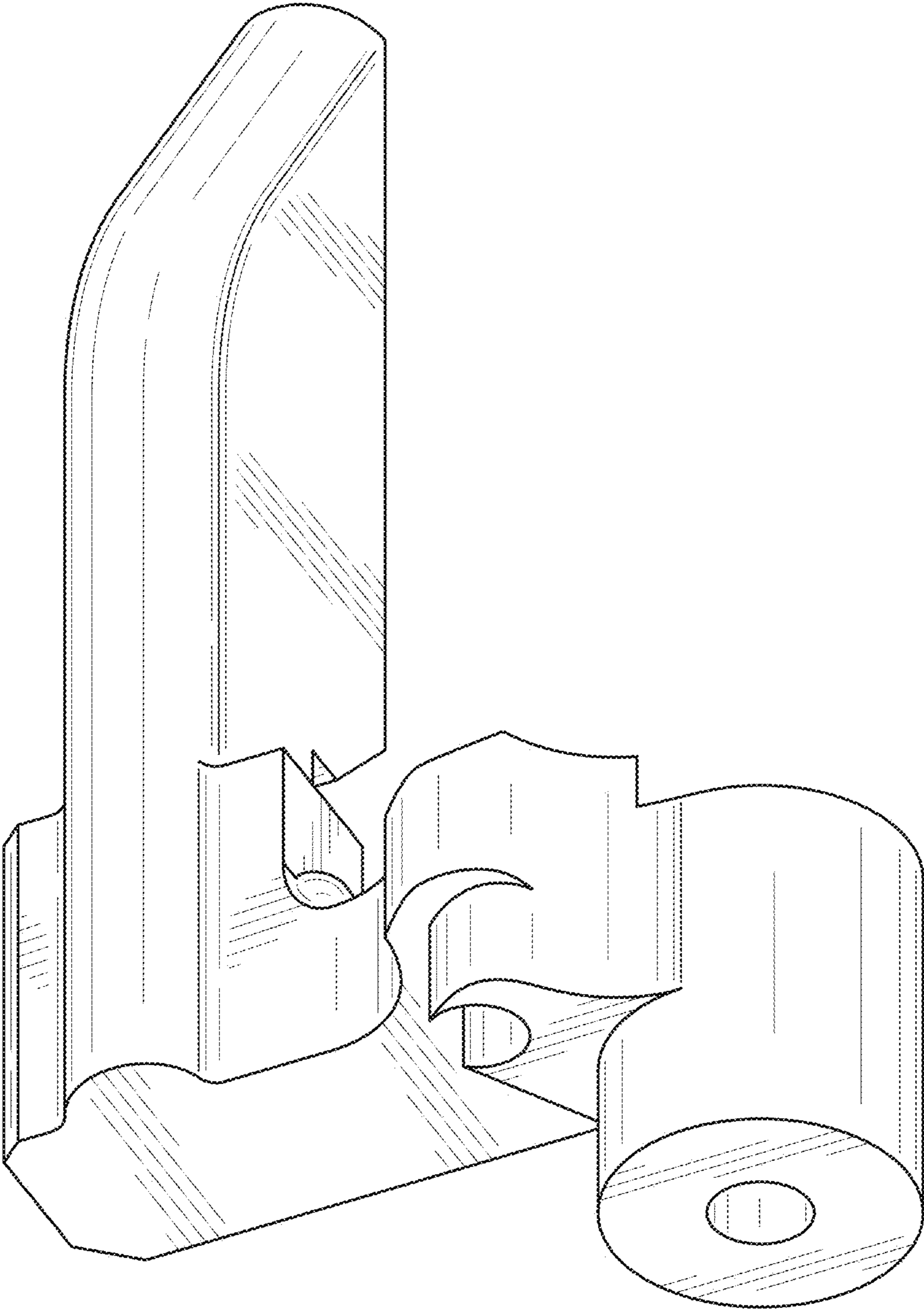


FIG. 9

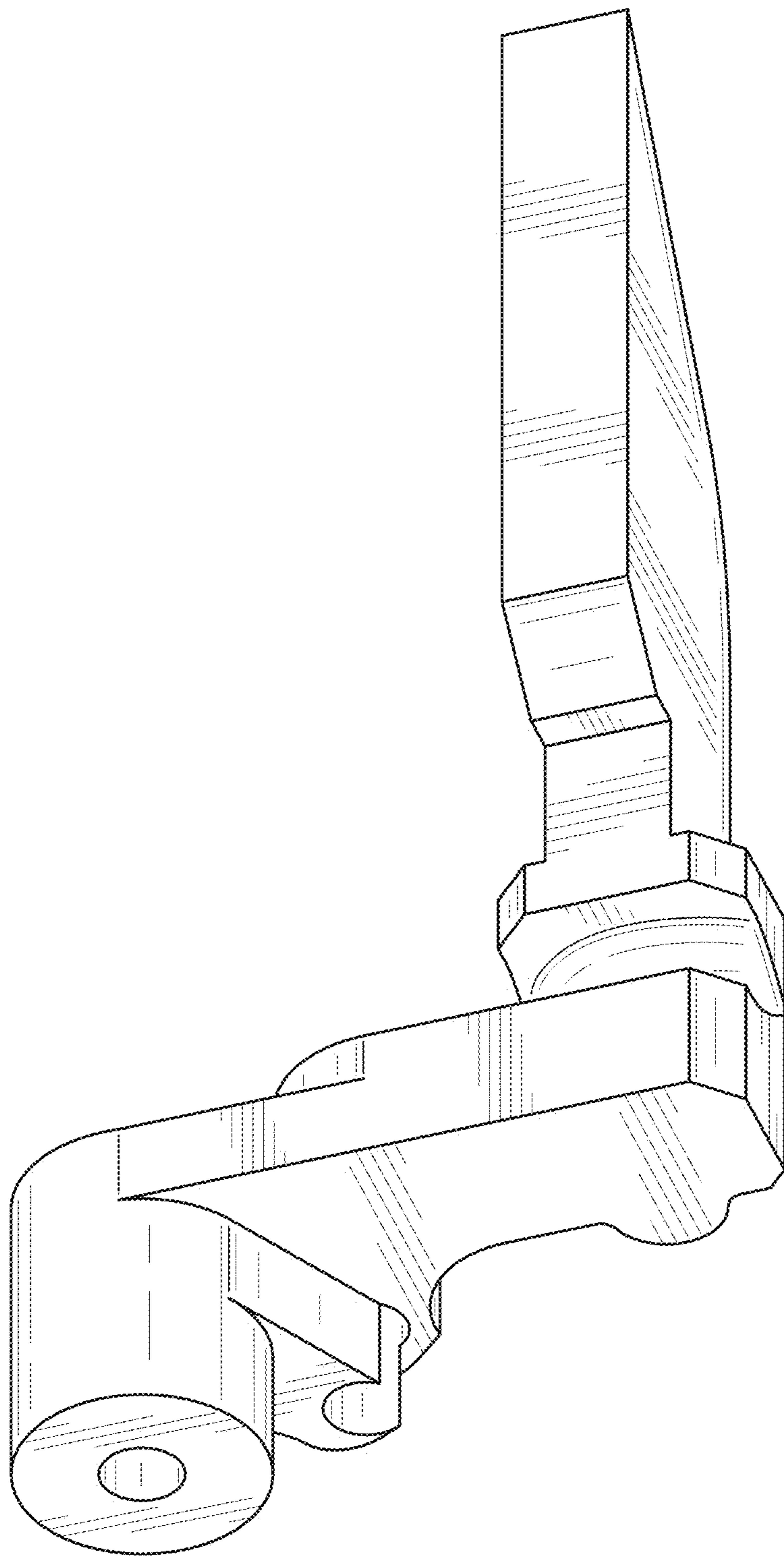


FIG. 10