



US00D888942S

(12) **United States Design Patent**
Cannamela et al.

(10) **Patent No.:** **US D888,942 S**
(45) **Date of Patent:** **** Jun. 30, 2020**

- (54) **INJECTION DEVICE**
- (71) Applicant: **Janssen Pharmaceuticals, Inc.**,
Titusville, NJ (US)
- (72) Inventors: **Michael Cannamela**, New York, NY
(US); **Rochelle Kleinberg**, New York,
NY (US); **Peter Krulevitch**, Pleasanton,
CA (US)
- (73) Assignee: **Janssen Pharmaceuticals, Inc.**,
Titusville, NJ (US)
- (**) Term: **15 Years**
- (21) Appl. No.: **29/643,586**
- (22) Filed: **Apr. 10, 2018**
- (51) **LOC (12) Cl.** **24-02**
- (52) **U.S. Cl.**
USPC **D24/114**
- (58) **Field of Classification Search**
USPC D24/112–114, 108, 133, 130, 127, 186;
606/181, 185; 604/264, 272, 187, 181,
604/184, 227
CPC A61M 5/178; A61M 3/00; A61M 5/20;
A61M 5/31; A61M 5/3146; A61M
5/3129; A61M 5/3148; A61M 5/315
See application file for complete search history.

- D687,544 S * 8/2013 Stephan D24/114
- D696,773 S * 12/2013 Schneider D24/113
- D696,774 S * 12/2013 Guarraia D24/113
- D696,775 S * 12/2013 Guarraia D24/113
- D697,205 S * 1/2014 Schneider D24/113
- 9,867,940 B2 * 1/2018 Holmqvist A61M 5/3202
- D814,022 S * 3/2018 Boyaval D24/113
- D844,774 S * 4/2019 Akcay A61M 25/0097
D24/112
- D844,777 S * 4/2019 Combes D24/114

FOREIGN PATENT DOCUMENTS

- JP HD17036853 2/2006
- JP D 1453984 9/2012
- JP D 1454273 9/2012
- JP HJ25013375 6/2013
- JP D 1634750 5/2019

* cited by examiner

Primary Examiner — David G Muller

(74) *Attorney, Agent, or Firm* — Steven J. Schwarz

(57) **CLAIM**

The ornamental design for an injection device, as shown and described.

DESCRIPTION

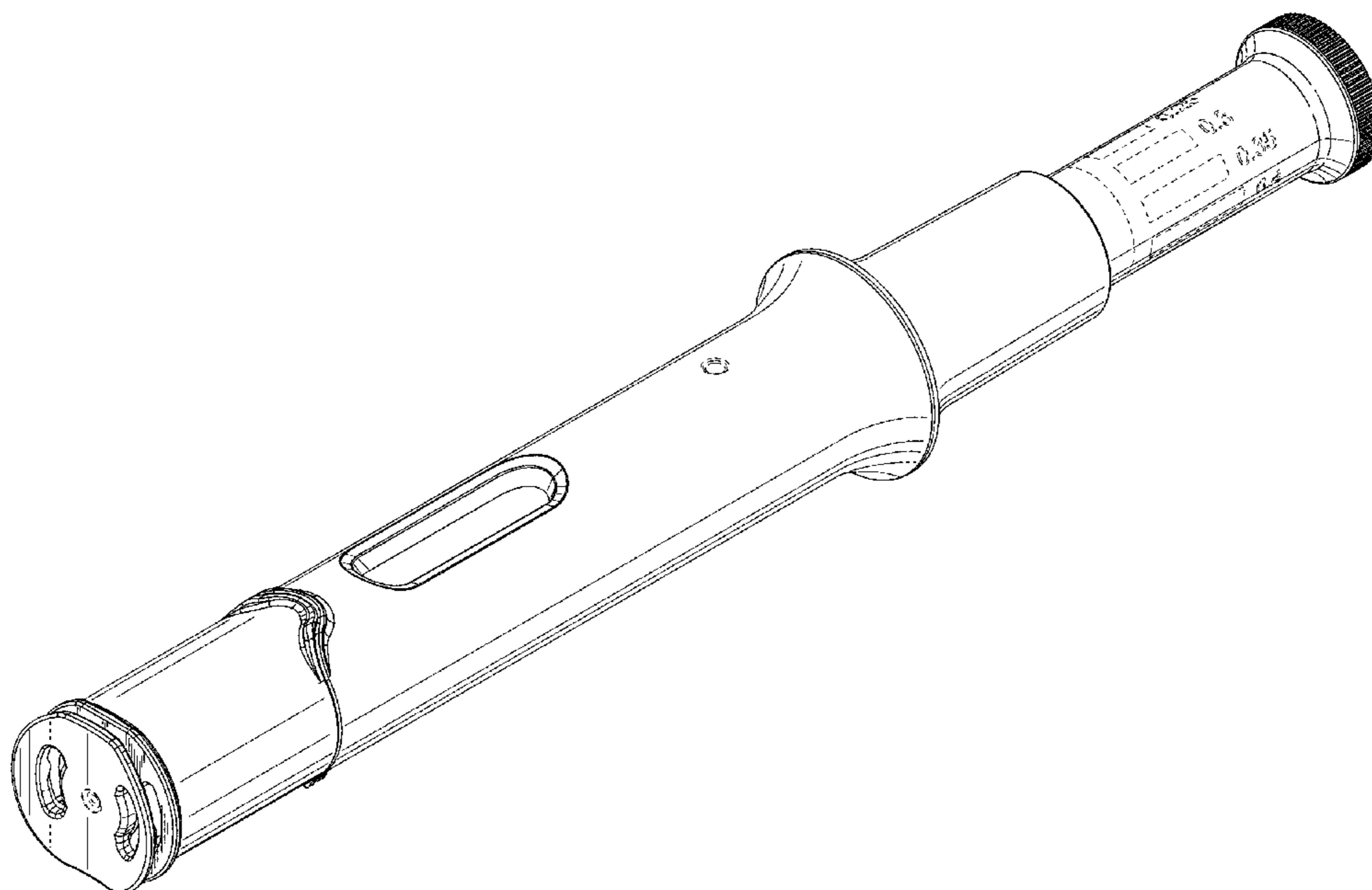
FIG. 1 is a perspective view of an injection device;
 FIG. 2 is a top plan view of an injection device;
 FIG. 3 is a bottom plan view of an injection device;
 FIG. 4 is a side elevation view of an injection device;
 FIG. 5 is an opposite side elevation view of an injection device;
 FIG. 6 is a front elevation view of an injection device; and,
 FIG. 7 is a rear elevation view of an injection device.
 The parts shown in broken dashed lines form no part of the claimed design.

1 Claim, 3 Drawing Sheets

(56) **References Cited**

U.S. PATENT DOCUMENTS

- D383,205 S * 9/1997 Pagay D24/112
- D429,812 S 8/2000 Hjertman et al.
- D574,954 S * 8/2008 Smith D24/114
- 8,052,655 B2 * 11/2011 Moller A61M 5/31556
604/246
- D681,808 S * 5/2013 Holaschke D24/114



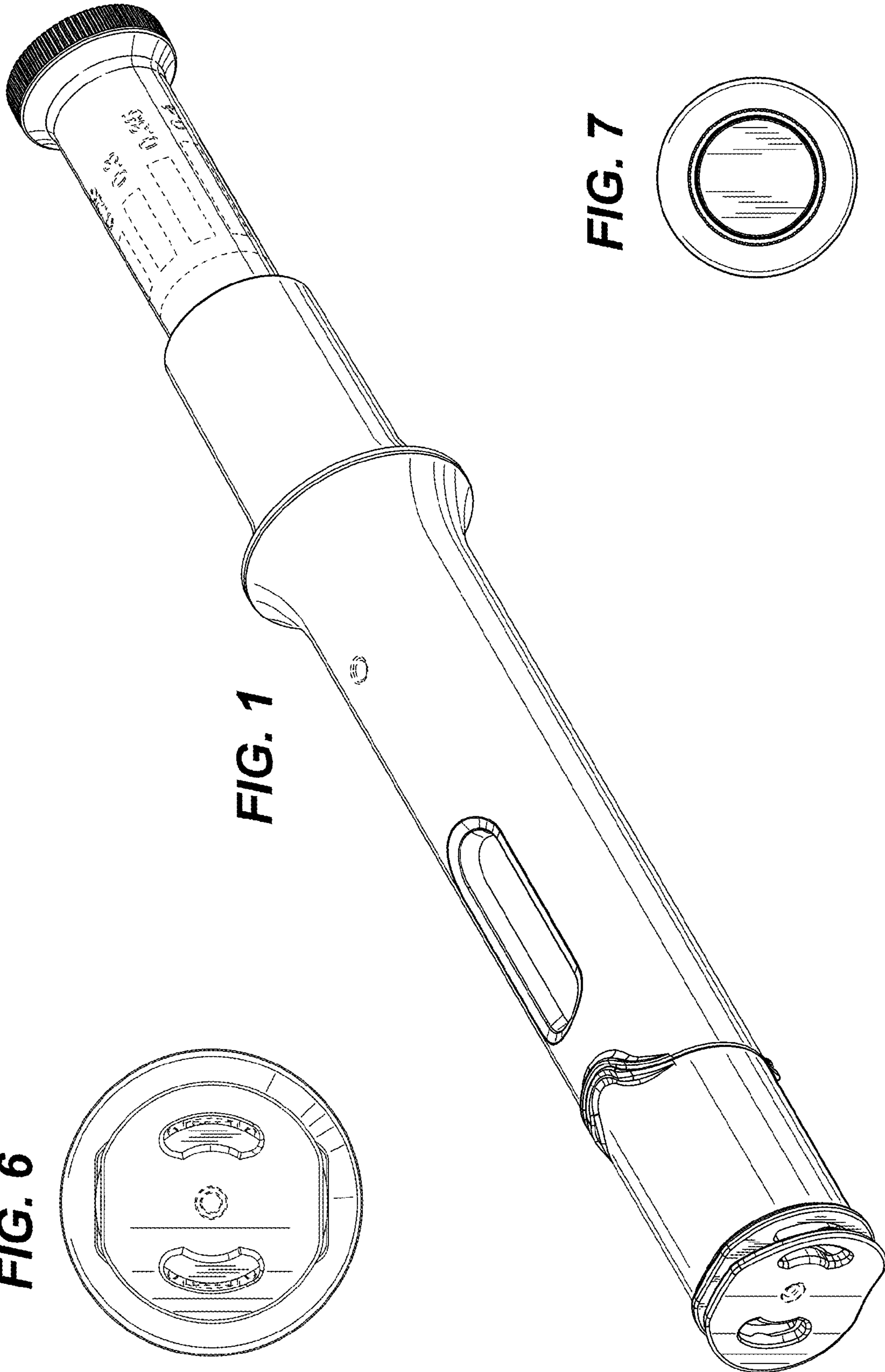


FIG. 1

FIG. 6

FIG. 7

FIG. 2

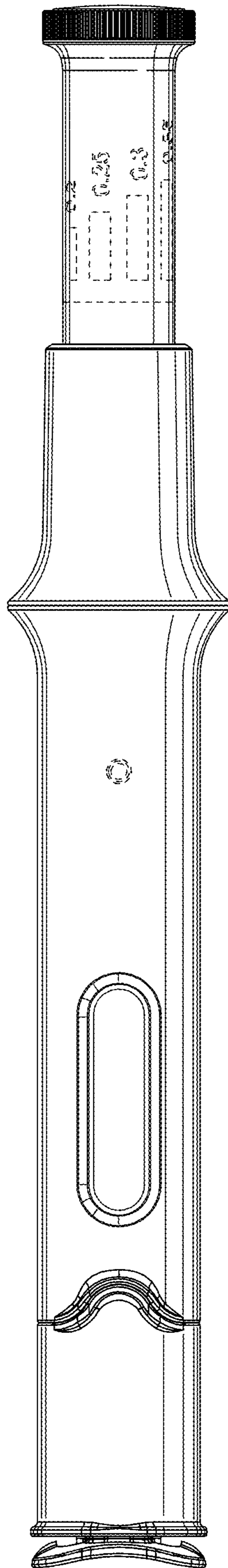


FIG. 3

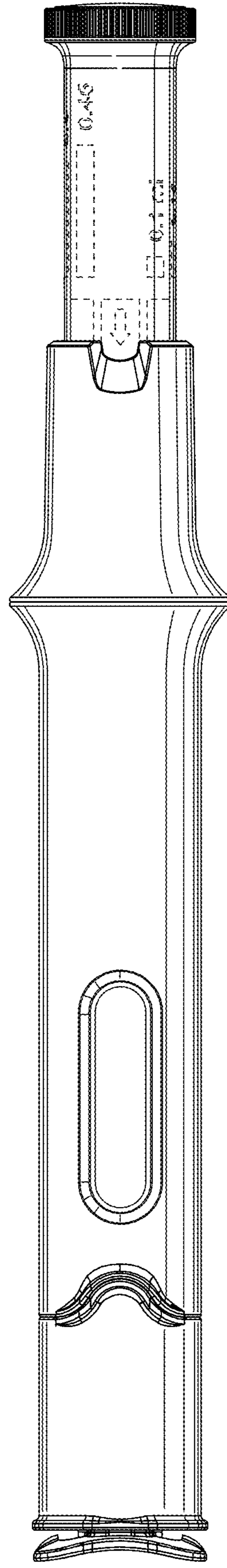


FIG. 4

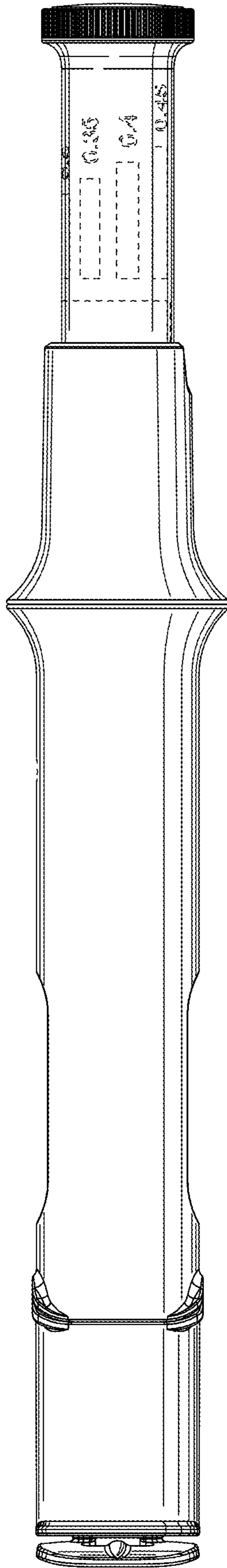
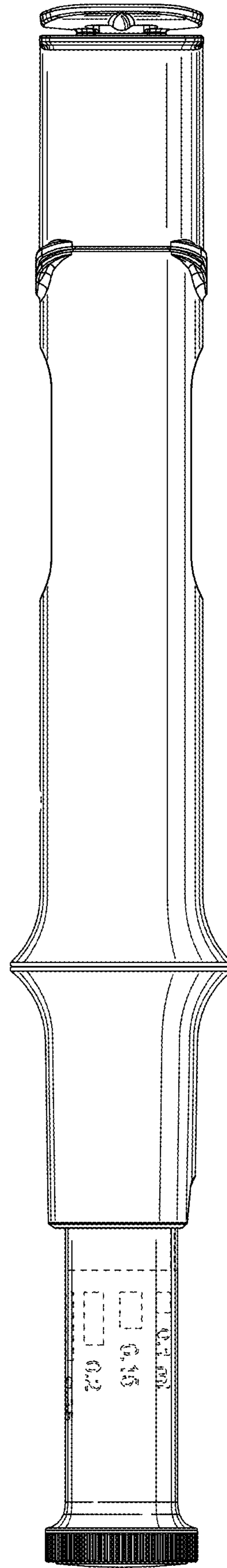


FIG. 5



UNITED STATES PATENT AND TRADEMARK OFFICE
CERTIFICATE OF CORRECTION

PATENT NO. : D888,942 S
APPLICATION NO. : 29/643586
DATED : June 30, 2020
INVENTOR(S) : Michael Cannamela, Rochelle Kleinberg and Peter Krulevitch

Page 1 of 1

It is certified that error appears in the above-identified patent and that said Letters Patent is hereby corrected as shown below:

On the Title Page

Item (30) should read:
Foreign Application Priority Data
October 10, 2017 (EM) 004394278

Signed and Sealed this
Twenty-third Day of February, 2021



Drew Hirshfeld
*Performing the Functions and Duties of the
Under Secretary of Commerce for Intellectual Property and
Director of the United States Patent and Trademark Office*