



US00D888941S

(12) **United States Design Patent** (10) **Patent No.:** **US D888,941 S**
Scrimgeour et al. (45) **Date of Patent:** **** Jun. 30, 2020**

(54) **GRIP ACCESSORY FOR A MANUAL INJECTION DEVICE**

D720,070 S * 12/2014 Khalaj D24/133
D784,524 S * 4/2017 Corbin D24/127
D784,526 S * 4/2017 Grunhut D24/127
D784,527 S * 4/2017 Llewellyn-Hyde D24/127

(71) Applicant: **Janssen Pharmaceuticals, Inc.**, Titusville, NJ (US)

(Continued)

(72) Inventors: **Ian Scrimgeour**, Dunbar (GB); **James McLusky**, Edinburgh (GB); **Nick Foley**, Edinburgh (GB); **Peter Krulevitch**, Pleasanton, CA (US); **Jimmy Mower**, Edinburgh (GB); **Michael Cannamela**, Atlantic Highlands, NJ (US); **Kui Liu**, Redwood City, CA (US)

FOREIGN PATENT DOCUMENTS

EM 004024677-0002 5/2017
EM 004024677-0003 5/2017

(Continued)

OTHER PUBLICATIONS

Janssen Pharmaceuticals, Inc., U.S. Appl. No. 29/676,220.

(Continued)

Primary Examiner — David G Muller

(74) *Attorney, Agent, or Firm* — Steven J. Schwarz

(73) Assignee: **Janssen Pharmaceuticals, Inc.**, Titusville, NJ (US)

(**) Term: **15 Years**

(57) **CLAIM**

(21) Appl. No.: **29/627,912**

The ornamental design for a grip accessory for a manual injection device, as shown and described.

(22) Filed: **Nov. 30, 2017**

(51) **LOC (12) Cl.** **24-02**

(52) **U.S. Cl.**
USPC **D24/113**

(58) **Field of Classification Search**
USPC D24/112–114, 108, 133, 130, 127, 186;
606/181, 185; 604/264, 272, 187, 181,
604/184, 227
CPC A61M 5/178; A61M 3/00; A61M 5/20;
A61M 5/31; A61M 5/3146; A61M
5/3129; A61M 5/3148; A61M 5/315
See application file for complete search history.

DESCRIPTION

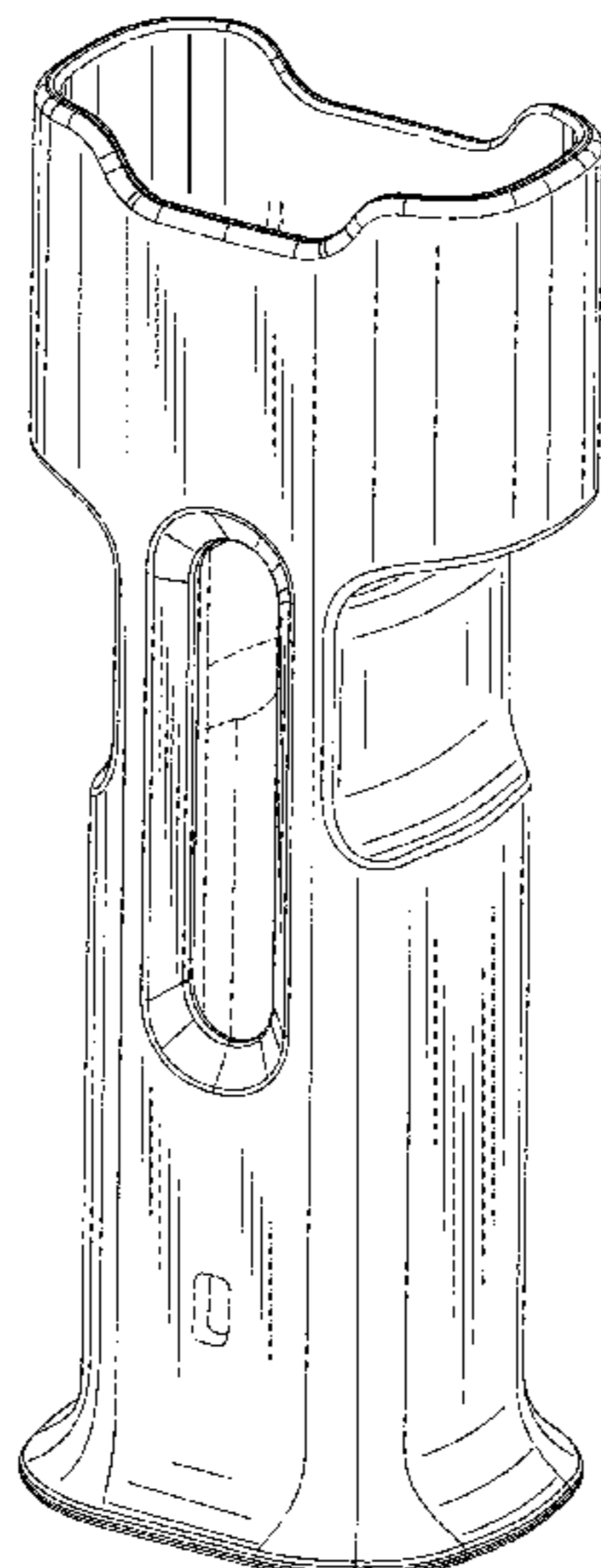
FIG. 1 is a perspective view from above and one side of a grip accessory for a manual injection device of the present invention;
FIG. 2 is a perspective view from below and the opposite side;
FIG. 3 is a side elevation view, the view of the opposite side corresponds;
FIG. 4 is an end elevation view, the view of the opposite end corresponds;
FIG. 5 is a top plan view; and,
FIG. 6 is a bottom plan view.
The ornamental design which is claimed is shown in solid lines in the drawings. The dashed broken lines are shown for the purpose of illustrating portions of the embodiments that form no part of the claimed design.

(56) **References Cited**

U.S. PATENT DOCUMENTS

5,163,918 A 11/1992 Righi et al.
6,623,459 B1 9/2003 Doyle
7,824,379 B2 11/2010 Doyle
D634,424 S * 3/2011 Morejon D24/133
D702,835 S * 4/2014 Vinchon D24/130

1 Claim, 5 Drawing Sheets



(56)

References Cited

U.S. PATENT DOCUMENTS

D816,834	S	*	5/2018	Knight	D24/130
D816,835	S	*	5/2018	Knight	D24/130
D818,575	S	*	5/2018	Corbin	D24/113
D819,805	S	*	6/2018	Knight	D24/114
2003/0093032	A1		5/2003	Py et al.		
2003/0144631	A1		7/2003	Doyle et al.		
2006/0106342	A1		5/2006	Cox		
2008/0269692	A1		10/2008	James et al.		
2008/0300549	A1		12/2008	Verespej et al.		
2011/0092915	A1		4/2011	Olson et al.		
2012/0232491	A1		9/2012	Jennings		
2014/0343505	A1		11/2014	Henley et al.		
2017/0014574	A1		1/2017	Ogawa		
2017/0157332	A1		6/2017	Nguyen		

FOREIGN PATENT DOCUMENTS

EM	004024677-0004	5/2017
EP	2623145	8/2013
FR	3025433	3/2016
GB	2308302	11/1997
JP	D1341211	9/2008
JP	D1341392	9/2008
JP	D1354787	2/2009
JP	D1557827	8/2016

JP	D1558612	8/2016
JP	D1564673	11/2016
JP	D1565060	11/2016
JP	D1571037	2/2017
JP	D1571038	2/2017
JP	D1571040	2/2017
KR	300876368	10/2016
KR	300891458	1/2017
WO	WO 1995/007722	3/1995
WO	WO 2004/069302	8/2004
WO	WO 2007/047200	4/2007
WO	WO 2015/044561	4/2015
WO	WO 2017/089266	6/2017
WO	WO 2018/222574	12/2018
WO	WO 2018/222575	12/2018

OTHER PUBLICATIONS

International Search Report dated Sep. 3, 2018; International Application No. PCT/US2018/034850.
 International Search Report dated Aug. 30, 2018; International Application No. PCT/US2018/034849.
 International Search Report dated Aug. 21, 2018; International Application No. PCT/US2018/034852.
 International Trademark No. 1143335-S, Safety Syringes, Inc., Feb. 17, 2012.

* cited by examiner

FIG. 1

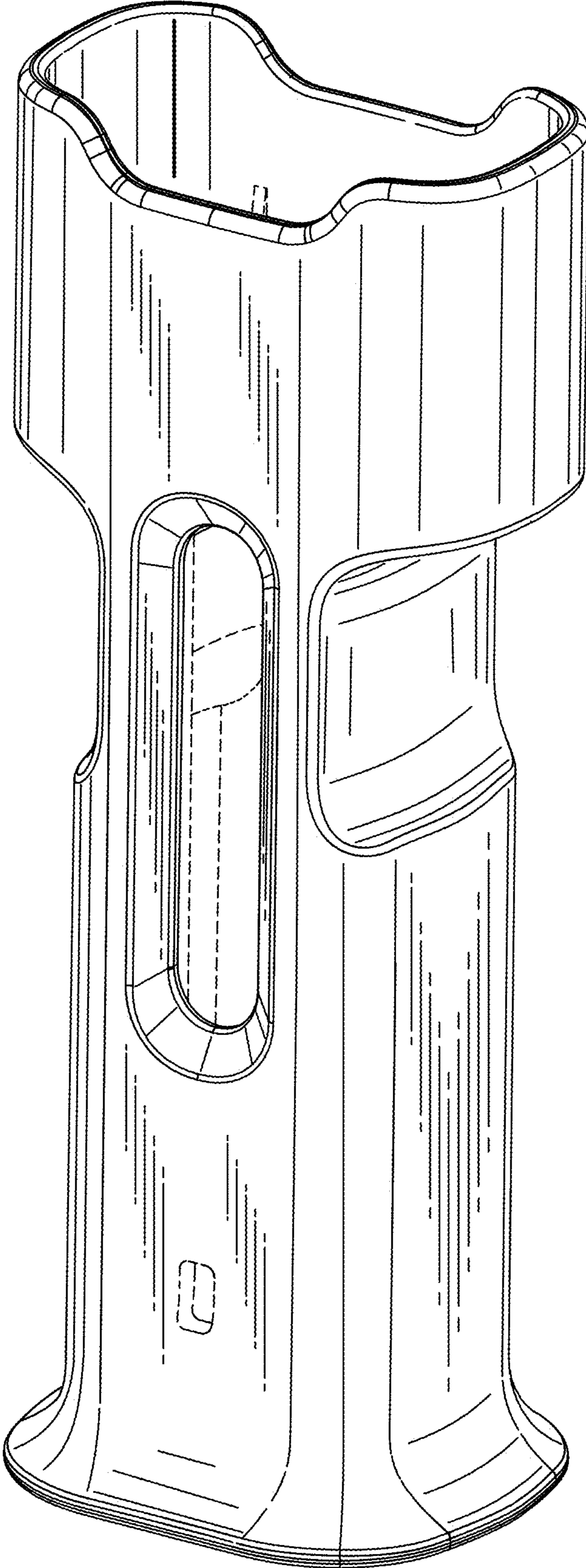


FIG. 2

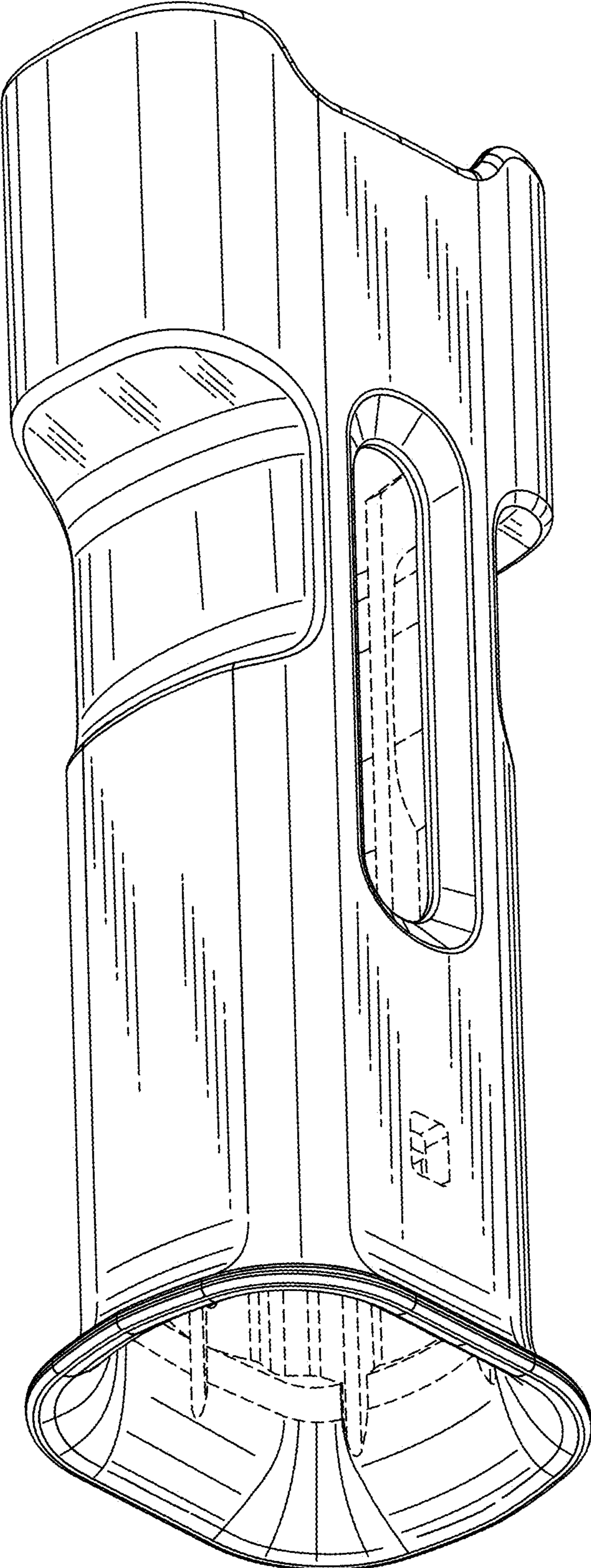


FIG. 3

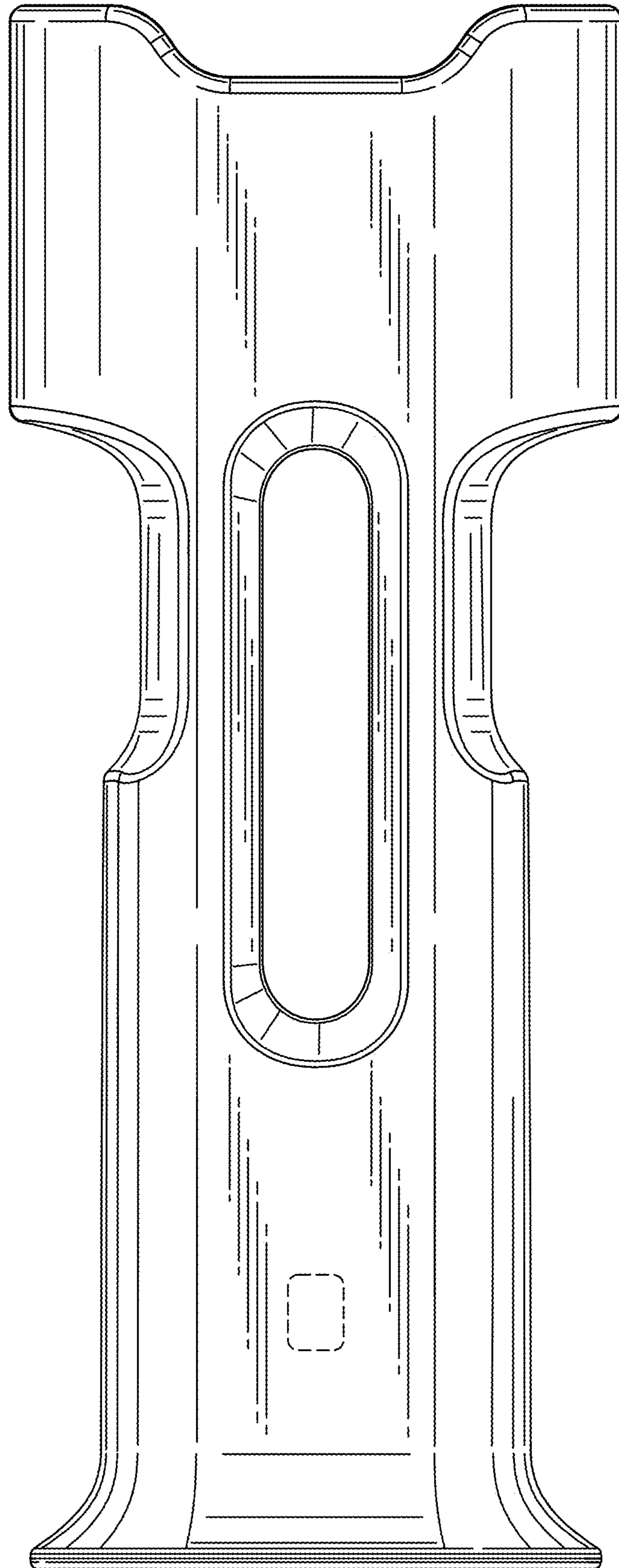


FIG. 4

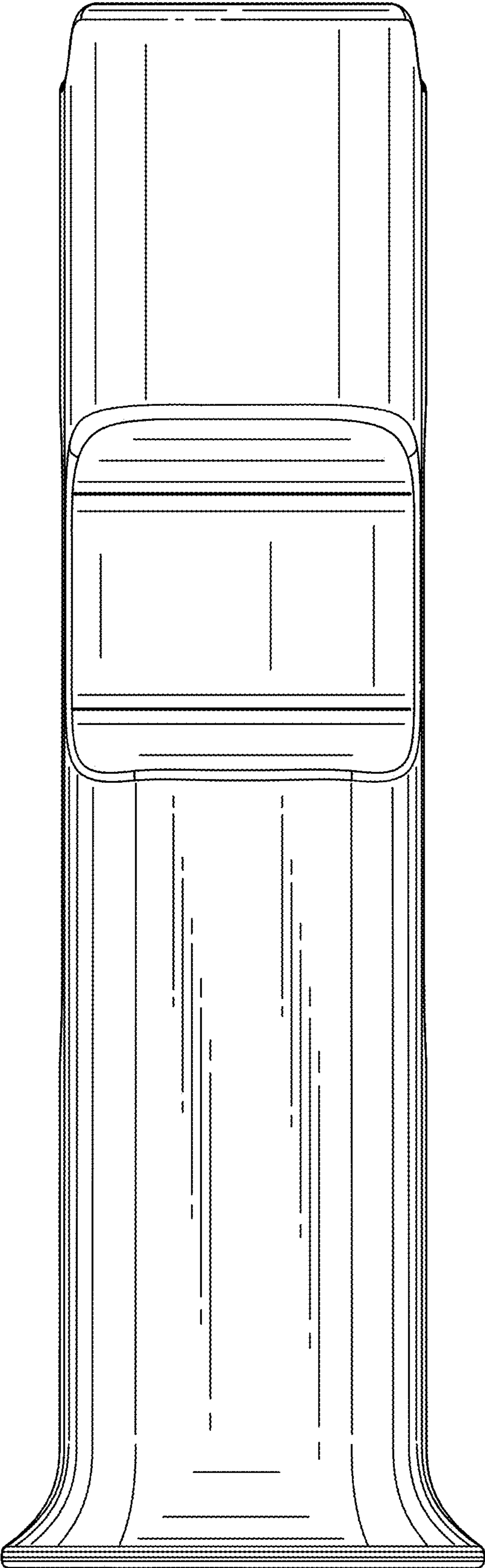


FIG. 5

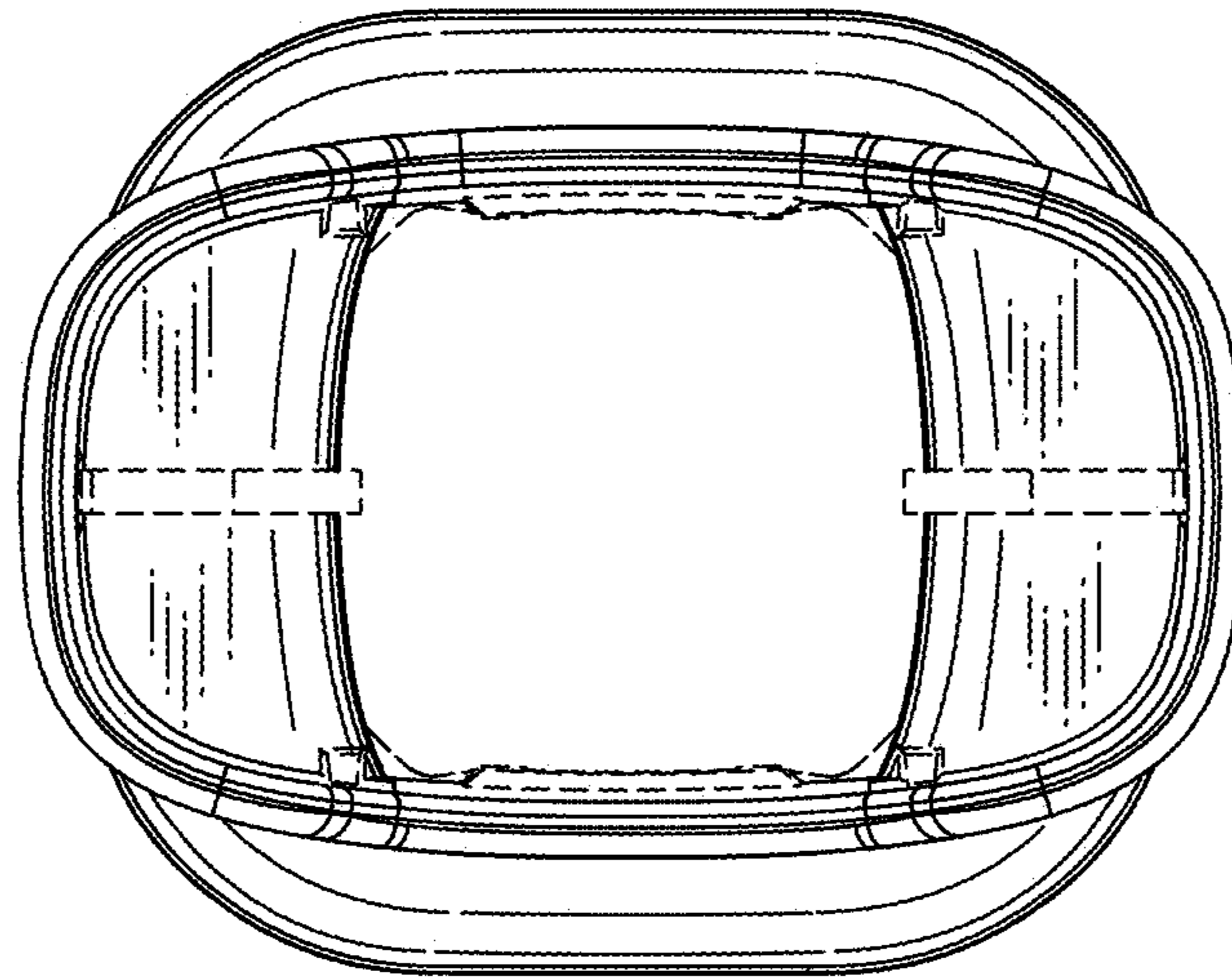
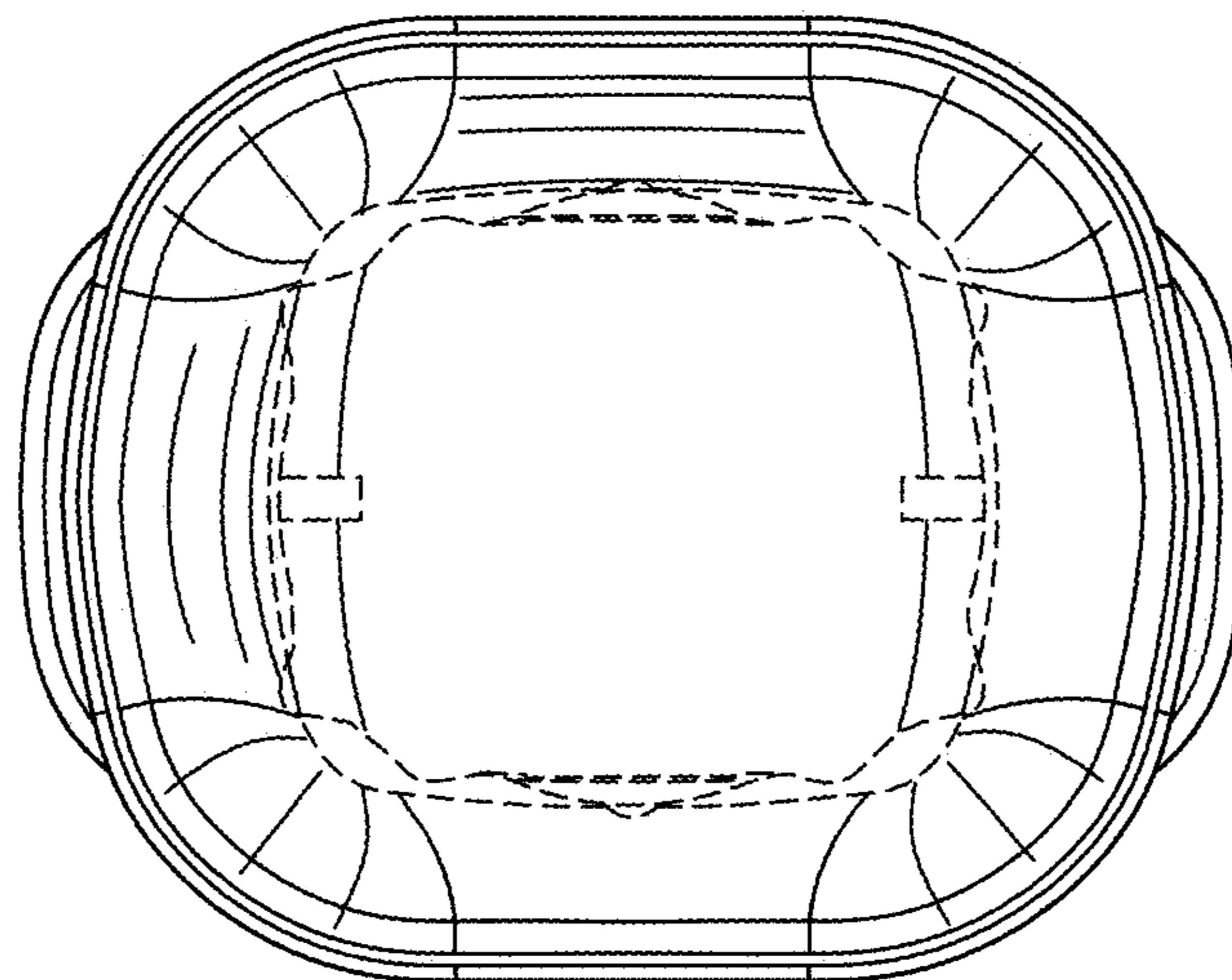


FIG. 6



UNITED STATES PATENT AND TRADEMARK OFFICE
CERTIFICATE OF CORRECTION

PATENT NO. : D888,941 S
APPLICATION NO. : 29/627912
DATED : June 30, 2020
INVENTOR(S) : Ian Scrimgeour et al.

Page 1 of 1

It is certified that error appears in the above-identified patent and that said Letters Patent is hereby corrected as shown below:

On the Title Page

Item (30) Foreign Application Priority Data should read:

--May 30, 2017 (EM) 004024677--

Signed and Sealed this
Twenty-third Day of February, 2021



Drew Hirshfeld
*Performing the Functions and Duties of the
Under Secretary of Commerce for Intellectual Property and
Director of the United States Patent and Trademark Office*