



US00D888940S

(12) **United States Design Patent**
Ono

(10) **Patent No.:** **US D888,940 S**

(45) **Date of Patent:** **** Jun. 30, 2020**

(54) **AUTO INJECTOR**

(71) Applicant: **NiPPharma Co., Ltd.**, Tokyo (JP)

(72) Inventor: **Shinichi Ono**, Tokyo (JP)

(73) Assignee: **NiPPharma Co., Ltd.**, Tokyo (JP)

(**) Term: **15 Years**

(21) Appl. No.: **29/675,281**

(22) Filed: **Dec. 30, 2018**

(30) **Foreign Application Priority Data**

Aug. 22, 2018 (JP) 2018-018296

(51) **LOC (12) Cl.** **24-02**

(52) **U.S. Cl.**
USPC **D24/112**

(58) **Field of Classification Search**
USPC D24/112-114, 108, 133, 130, 127, 186;
606/181, 185; 604/264, 272, 187, 181,
604/184, 227

CPC A61M 5/178; A61M 3/00; A61M 5/20;
A61M 5/31; A61M 5/3146; A61M
5/3129; A61M 5/3148; A61M 5/315
See application file for complete search history.

(56) **References Cited**

U.S. PATENT DOCUMENTS

D570,413 S * 6/2008 Zhao D19/167
D591,793 S * 5/2009 Booker D19/175

D641,407 S * 7/2011 Li D19/172
D647,964 S * 11/2011 Wang D19/167
D669,124 S * 10/2012 Jiang D19/163
D669,128 S * 10/2012 Zhang D19/169
D670,333 S * 11/2012 Koch D19/175
D694,824 S * 12/2013 Hem D19/168
D753,769 S * 4/2016 Ciriolo D19/175
D755,370 S * 5/2016 Riess D24/113
D765,784 S * 9/2016 Briggel D19/172
D770,610 S * 11/2016 Saussaye D24/113
D851,174 S * 6/2019 Ossola D19/175

* cited by examiner

Primary Examiner — David G Muller

(74) *Attorney, Agent, or Firm* — Pyprus Pte Ltd

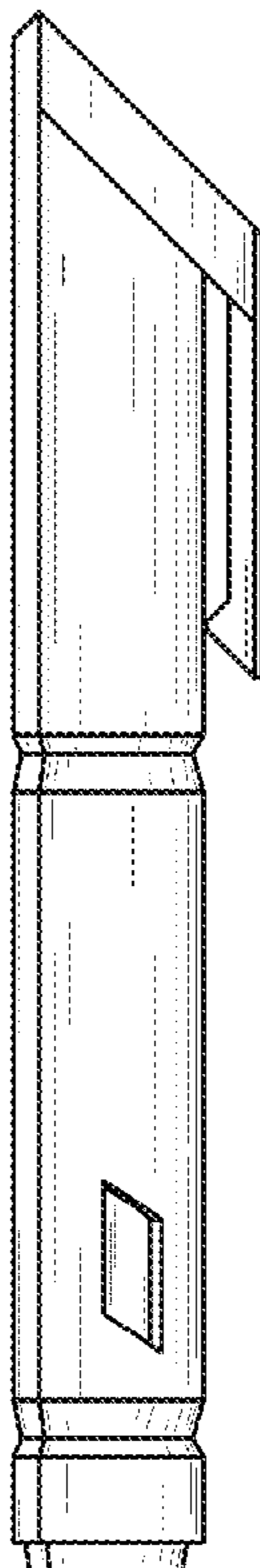
(57) **CLAIM**

The ornamental design for an auto injector, as shown and described.

DESCRIPTION

FIG. 1 is a front elevation view of the auto injector of my new design;
FIG. 2 is a rear elevation view thereof;
FIG. 3 is a left side elevation view thereof;
FIG. 4 is a right side elevation view thereof;
FIG. 5 is a top plan view thereof;
FIG. 6 is a bottom plan view thereof; and,
FIG. 7 is a perspective view thereof.

1 Claim, 7 Drawing Sheets



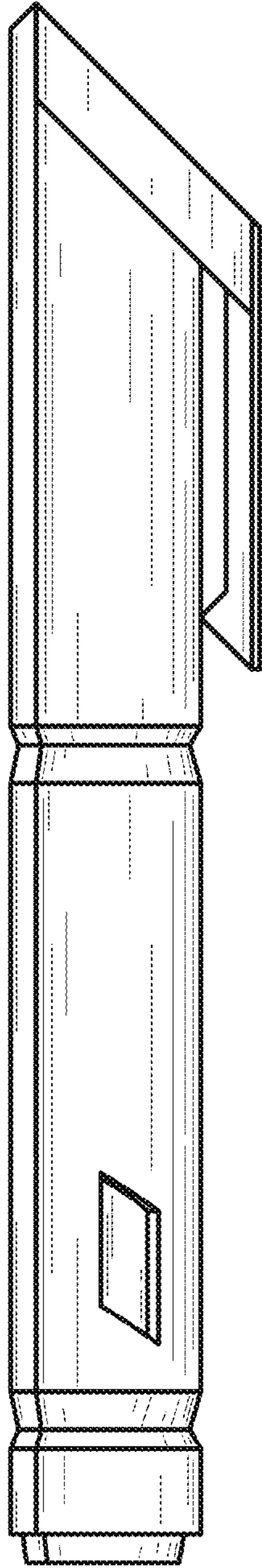


FIG. 1

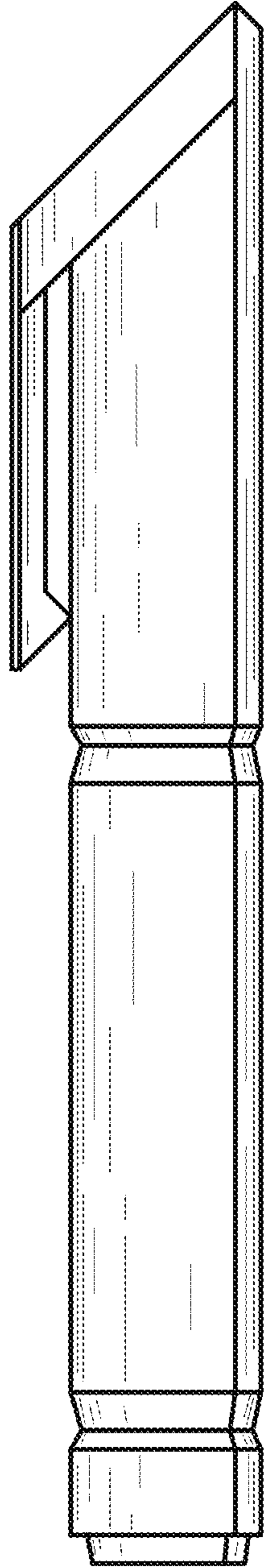


FIG. 2

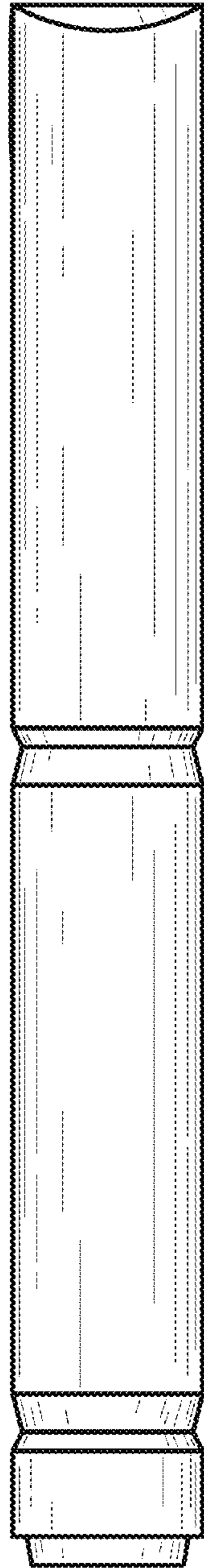


FIG. 3

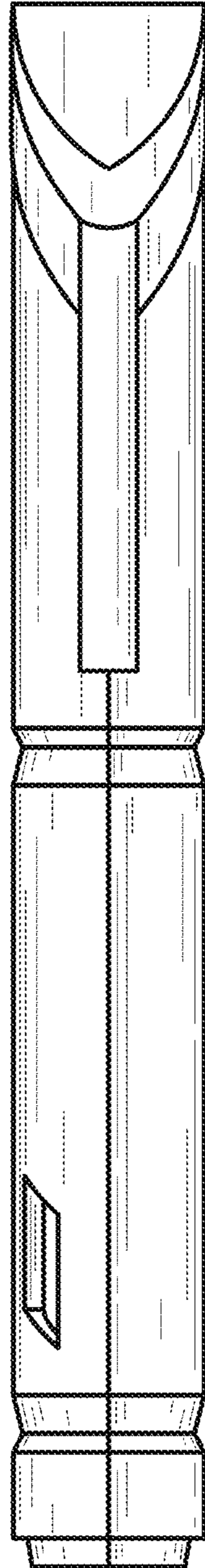


FIG. 4

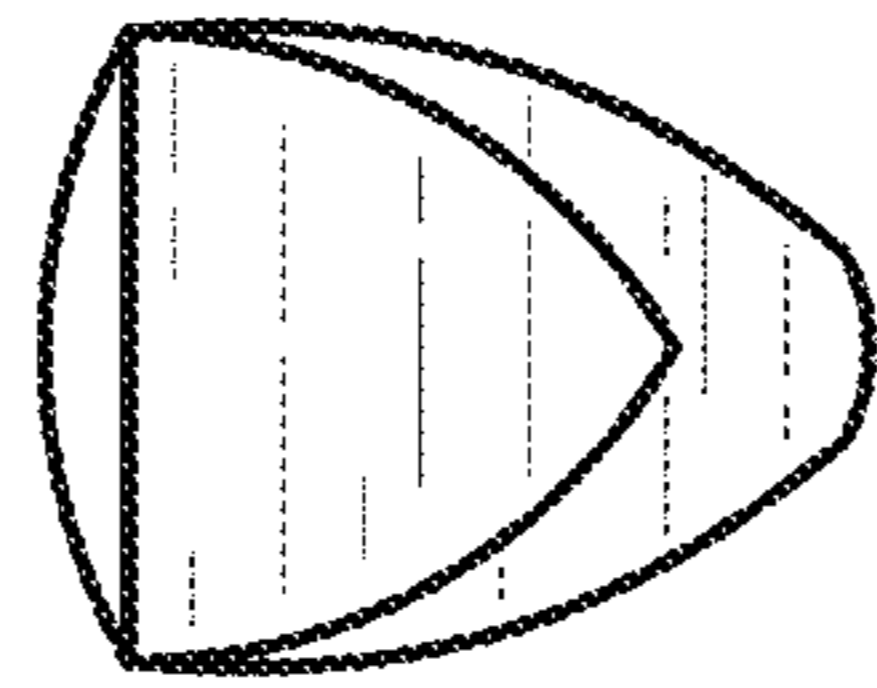


FIG. 5

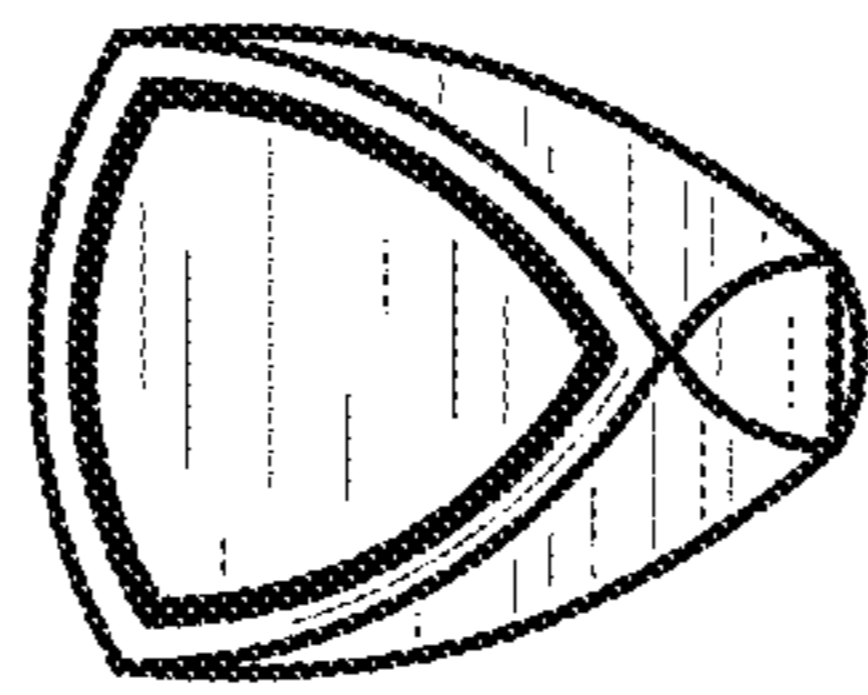


FIG. 6

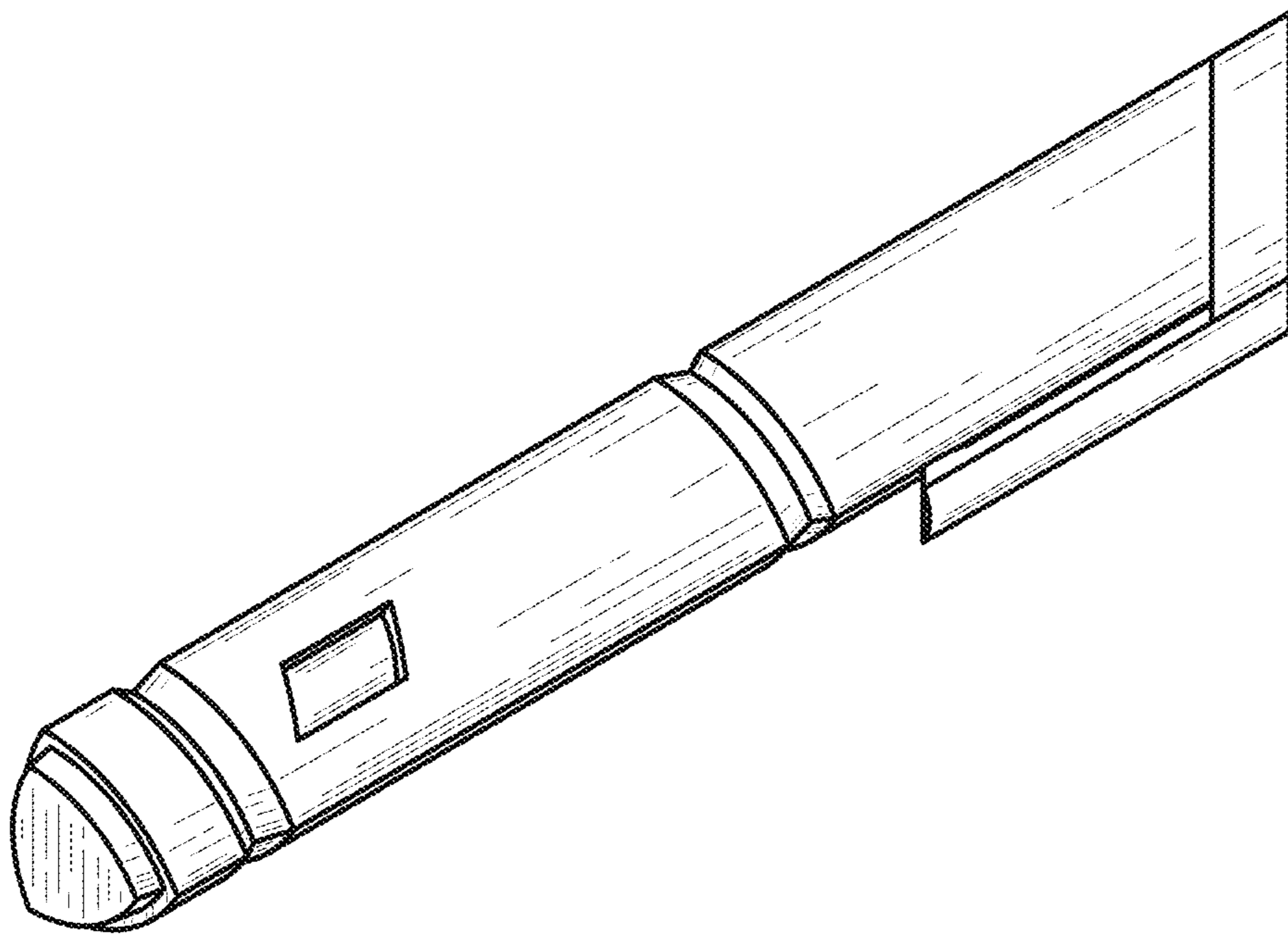


FIG. 7