



US00D888937S

(12) **United States Design Patent** (10) **Patent No.:** **US D888,937 S**
Leadingham et al. (45) **Date of Patent:** **** Jun. 30, 2020**

(54) **SPHERICAL SURGICAL SUCTION CONTAINER** 3,494,515 A 2/1970 Fattori
3,522,647 A * 8/1970 Holcomb B21D 51/24
228/184
(71) Applicant: **Design Department, Inc.**, Pleasant 3,878,962 A 4/1975 Holbrook et al.
Prairie, WI (US) D254,716 S 4/1980 Mascia et al.
4,478,350 A * 10/1984 Ohlsson G01N 33/227
109/1 S

(72) Inventors: **Brian T. Leadingham**, Pleasant Prairie,
WI (US); **Patrick C. Tetzlaff**,
Caledonia, WI (US)

(Continued)

FOREIGN PATENT DOCUMENTS

(73) Assignee: **DESIGN DEPARTMENT, INC.**,
Pleasant Prairie, WI (US)

CA 146888 3/2014
CN 203400351 U 1/2014

(Continued)

(**) Term: **15 Years**

Primary Examiner — Sheryl Lane

(21) Appl. No.: **29/706,475**

Assistant Examiner — Aula Soroush

(22) Filed: **Sep. 20, 2019**

(74) *Attorney, Agent, or Firm* — Ryan Kromholz &
Manion, S.C.

Related U.S. Application Data

(62) Division of application No. 29/590,575, filed on Jan.
11, 2017, now Pat. No. Des. 870,879.

(51) **LOC (12) Cl.** **24-02**

(52) **U.S. Cl.**
USPC **D24/111**

(58) **Field of Classification Search**
USPC D24/108, 111–113, 133, 152, 176;
D4/101, 138; D7/553.6–554.2
CPC . A61C 17/0205; A61C 17/0202; A61C 17/00;
A61C 17/224; A61C 17/20; A61C
17/005; A61C 17/028; A61C 17/02; A61C
17/36; A61C 17/0211; A61C 17/0214;
A61C 17/28; A61C 17/043; A61C 17/22;
A61C 17/222; A61C 17/225

See application file for complete search history.

(56) **References Cited**

U.S. PATENT DOCUMENTS

D94,364 S 1/1935 Schneider
2,533,109 A * 12/1950 Hannover B67C 3/16
141/290

(57) **CLAIM**

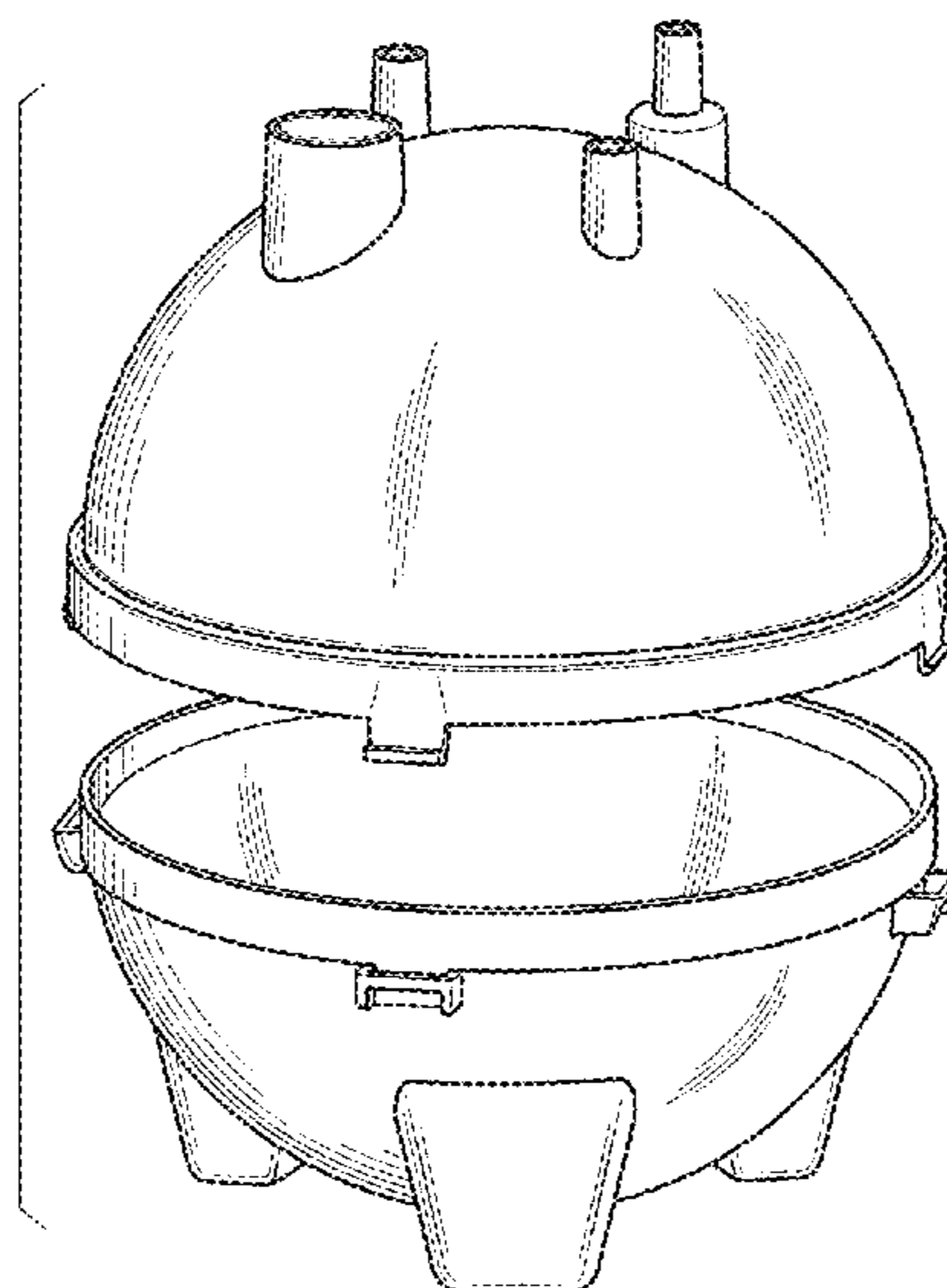
The ornamental design for a spherical surgical container, as
shown and described.

DESCRIPTION

FIG. 1 is a perspective view of a spherical surgical suction
container showing our design;
FIG. 2 is an exploded top perspective view;
FIG. 3 is a bottom perspective view;
FIG. 4 is a left elevation view;
FIG. 5 is a right elevation view;
FIG. 6 is a front side elevation view;
FIG. 7 is a back side elevation view;
FIG. 8 is a top plan view; and,
FIG. 9 is a bottom plan view.

The dot-dash broken line showing of four circular features
on the top side of the centrally located raised portions of the
suction container shown in FIGS. 1, 2 and 8 are for the
purpose of illustrating openings and forms no part of the
claimed design.

1 Claim, 3 Drawing Sheets



(56)

References Cited

U.S. PATENT DOCUMENTS

D324,106 S * 2/1992 Greenblatt D24/200
 D418,022 S 12/1999 Hansen
 6,152,902 A 11/2000 Christian et al.
 6,261,276 B1 7/2001 Reitsma
 D465,733 S 11/2002 Hill
 D475,288 S 6/2003 Hoffmann et al.
 D476,095 S 6/2003 Baarman et al.
 D478,813 S 8/2003 Beene
 D533,783 S 12/2006 Kliger et al.
 D536,611 S 2/2007 Peck
 D554,507 S 11/2007 Laupie
 D564,900 S * 3/2008 Green D9/504
 D572,535 S 7/2008 El-Ghouyel et al.
 D592,064 S 5/2009 Kilany
 D612,245 S 3/2010 Canamasas Puigbo
 D626,000 S 10/2010 Chertoff et al.
 D638,884 S * 5/2011 Shoemaker, Jr. D21/386

D650,280 S 12/2011 de Peyerimhoff et al.
 D661,540 S 6/2012 Facey
 D708,790 S 7/2014 Schlatter
 D732,341 S * 6/2015 Matharu D7/300
 D733,498 S * 7/2015 Matharu D7/300
 9,174,794 B2 * 11/2015 Chen A47G 19/16
 D755,637 S 5/2016 Wetton et al.
 D758,557 S 6/2016 Jih
 D818,119 S * 5/2018 Schoeller D24/121
 2003/0096038 A1 * 5/2003 Cai A47J 31/14
 426/77
 2013/0322950 A1 12/2013 Teller
 2016/0021915 A1 1/2016 Baxter

FOREIGN PATENT DOCUMENTS

DE 20315574 U1 2/2004
 JP 2013233155 A 11/2013
 KR 200456798 Y1 11/2011

* cited by examiner

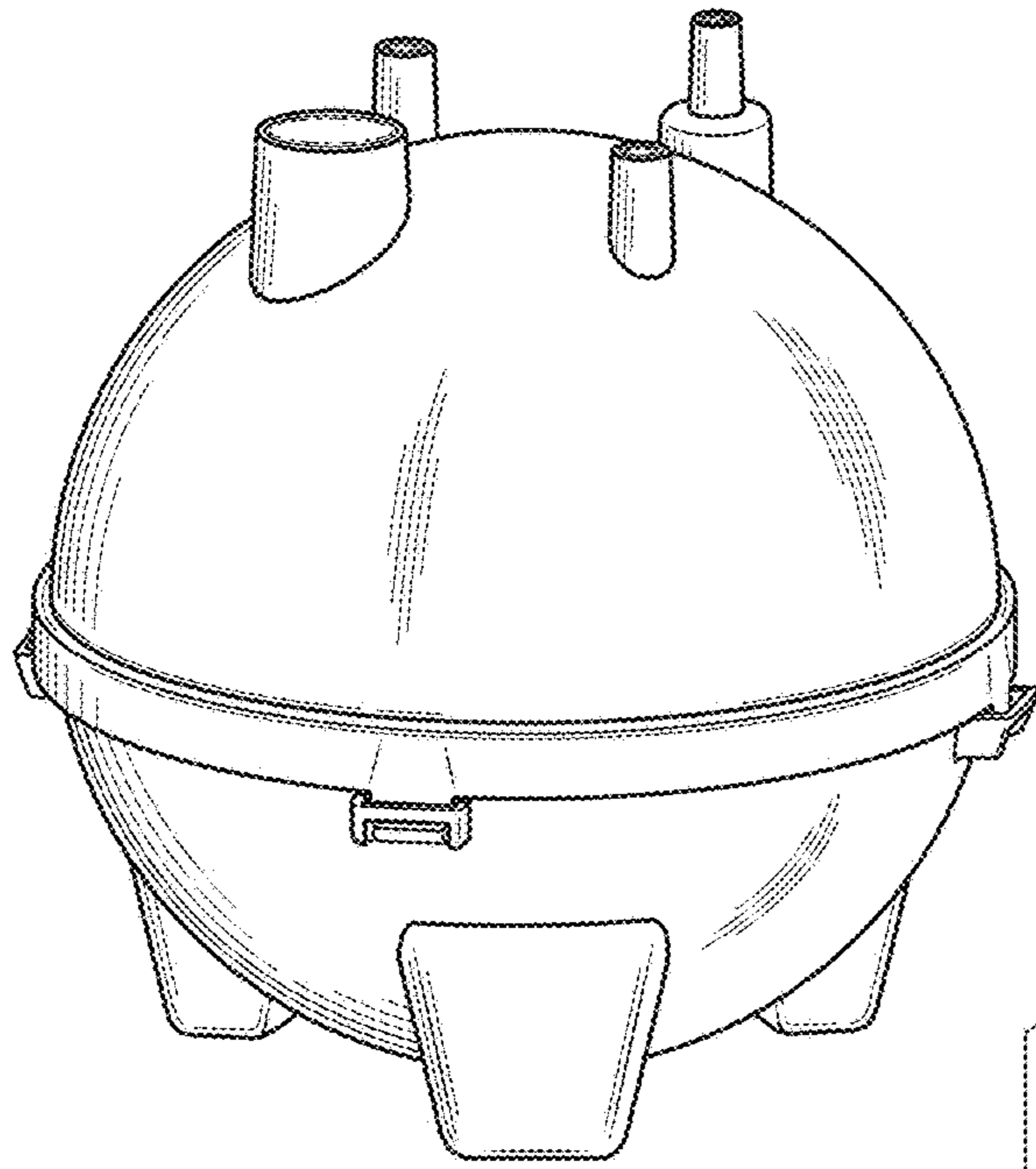


Fig. 1

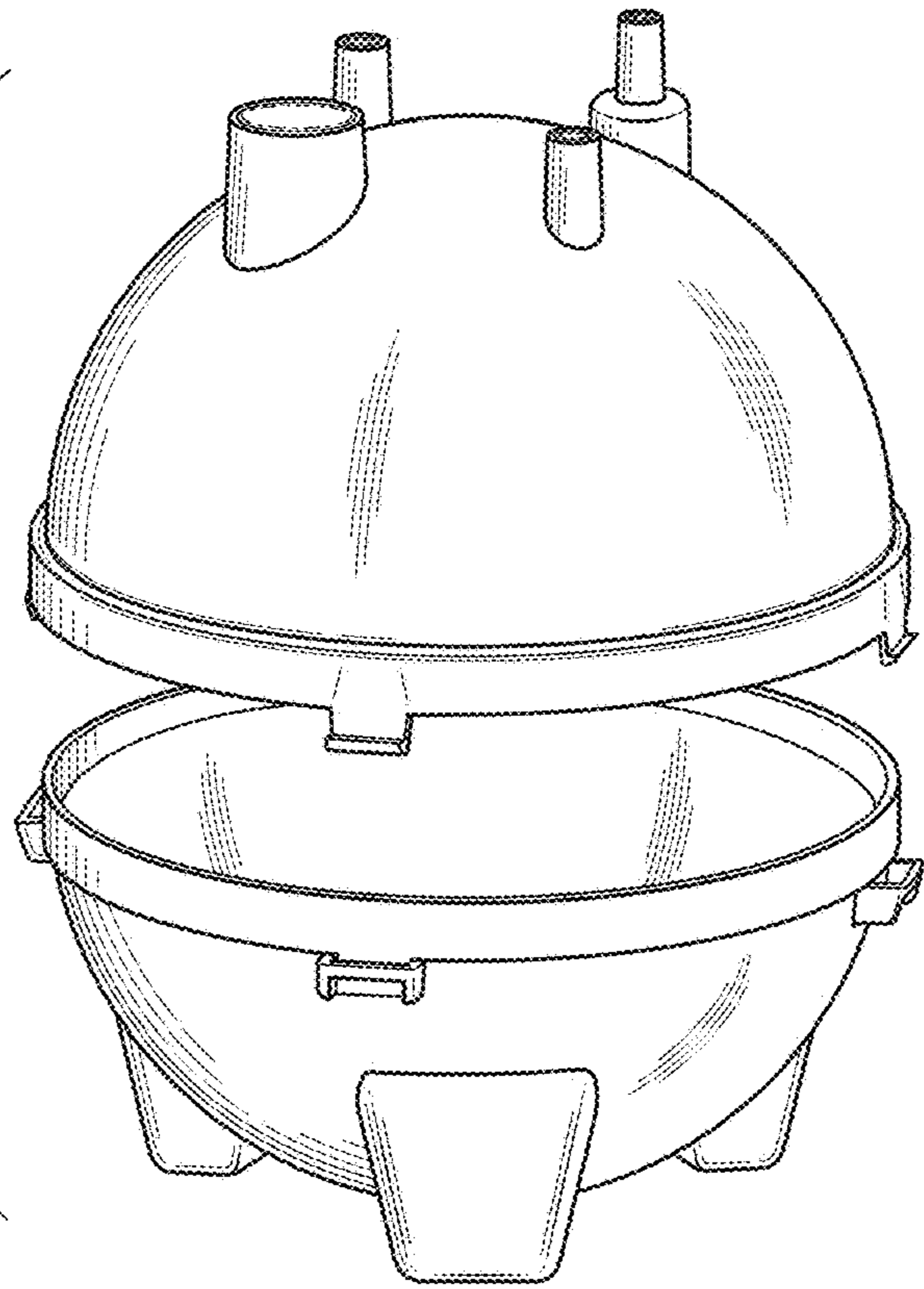


Fig. 2

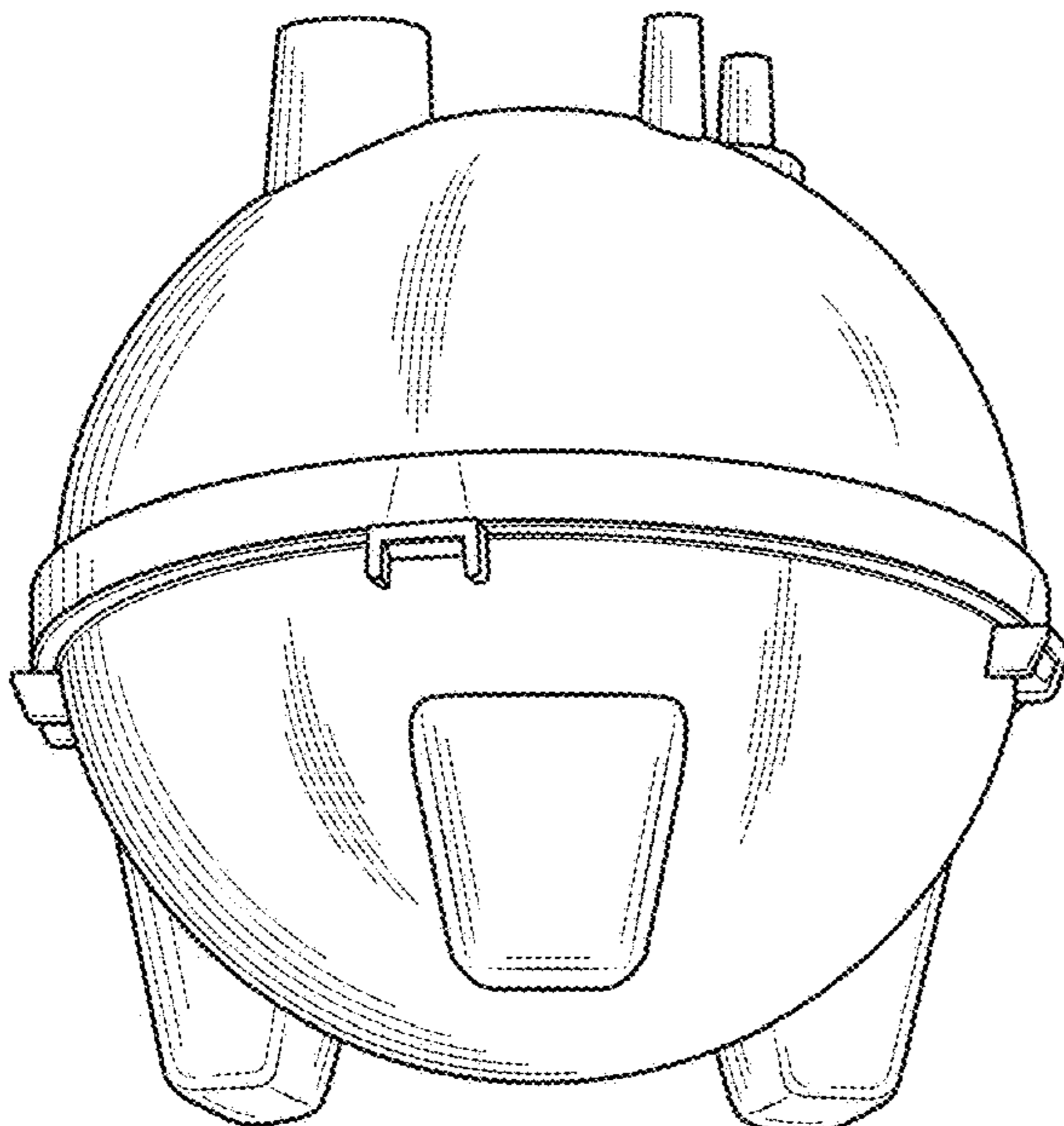


Fig. 3

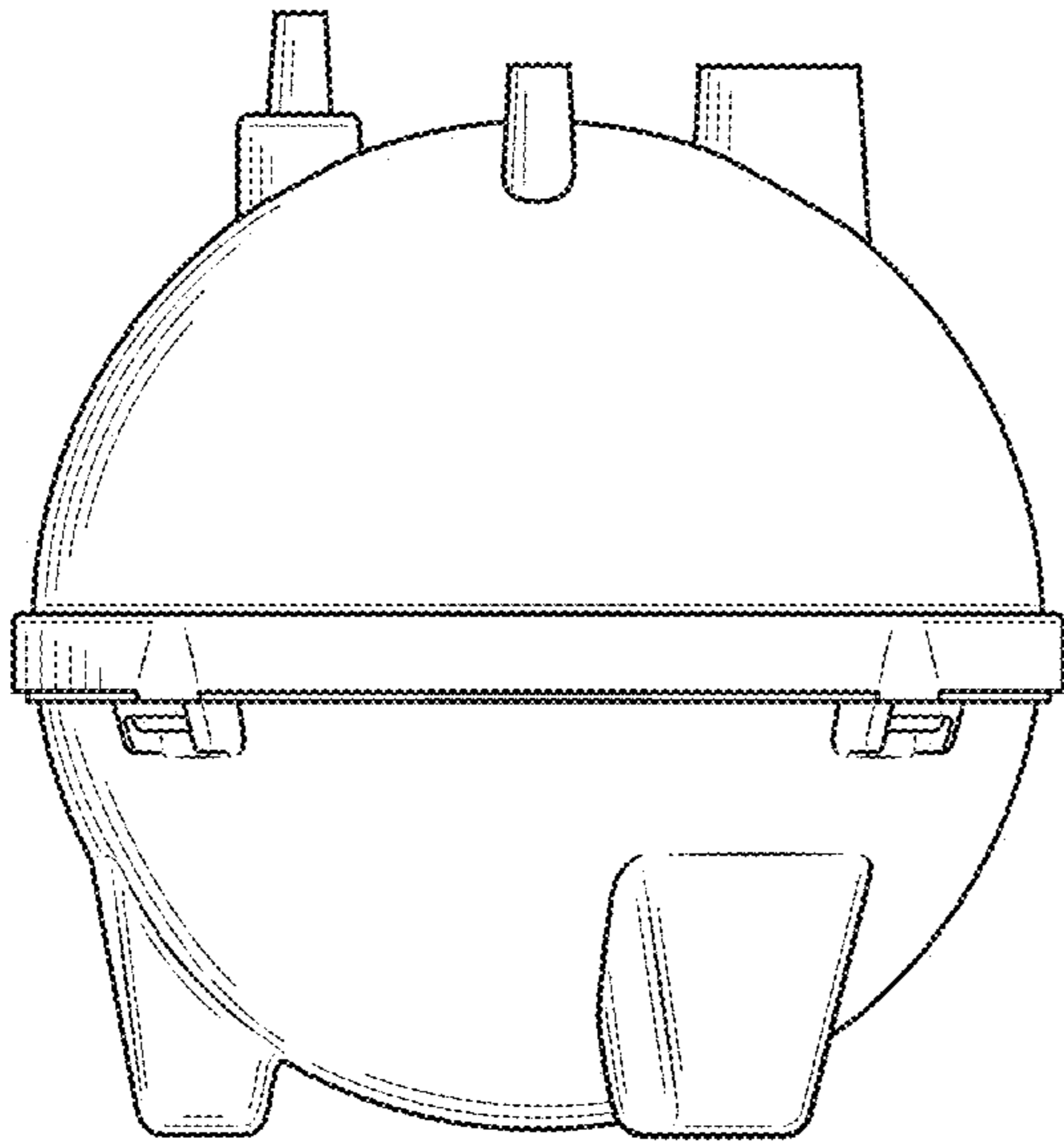


Fig. 4

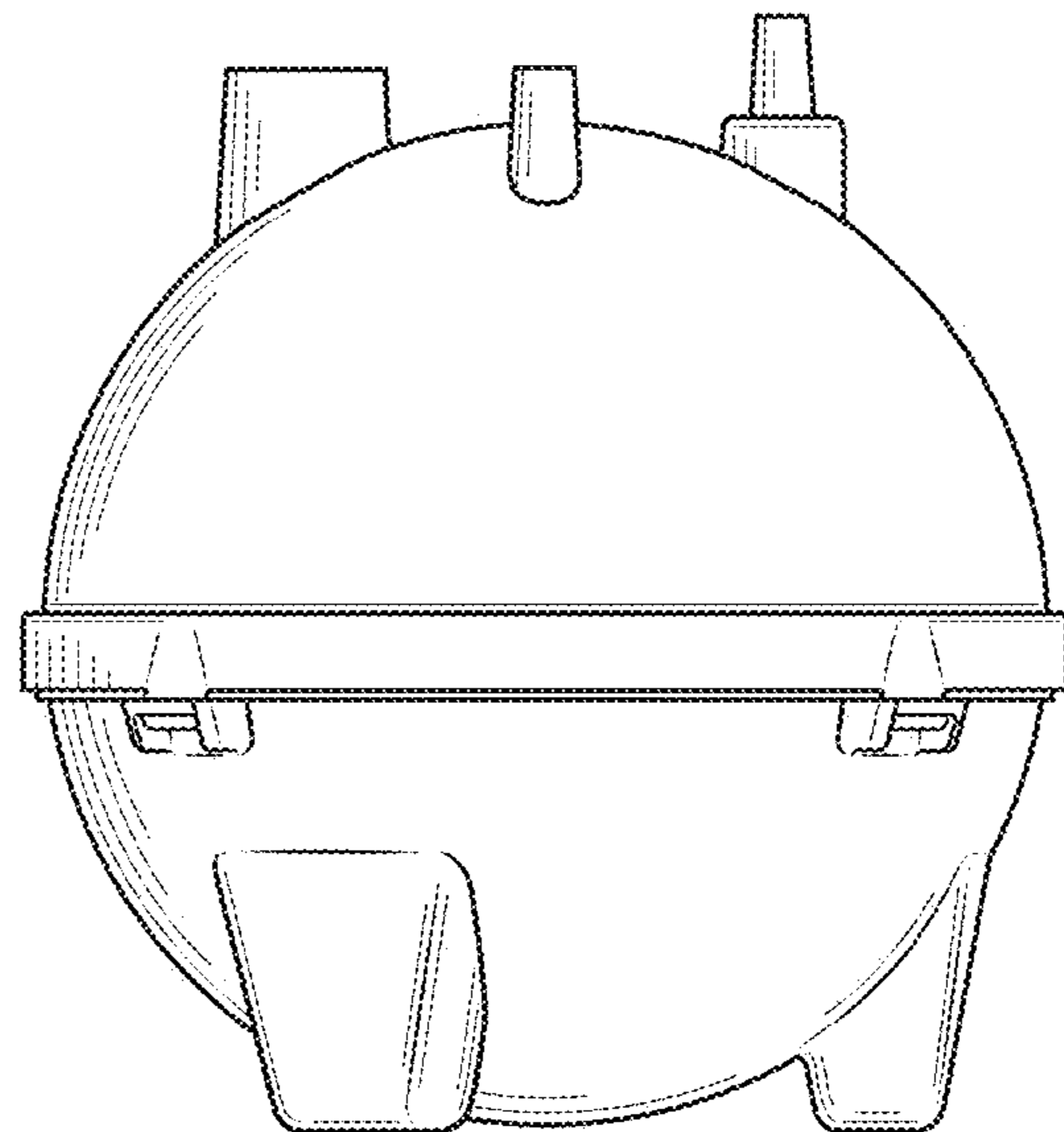


Fig. 5

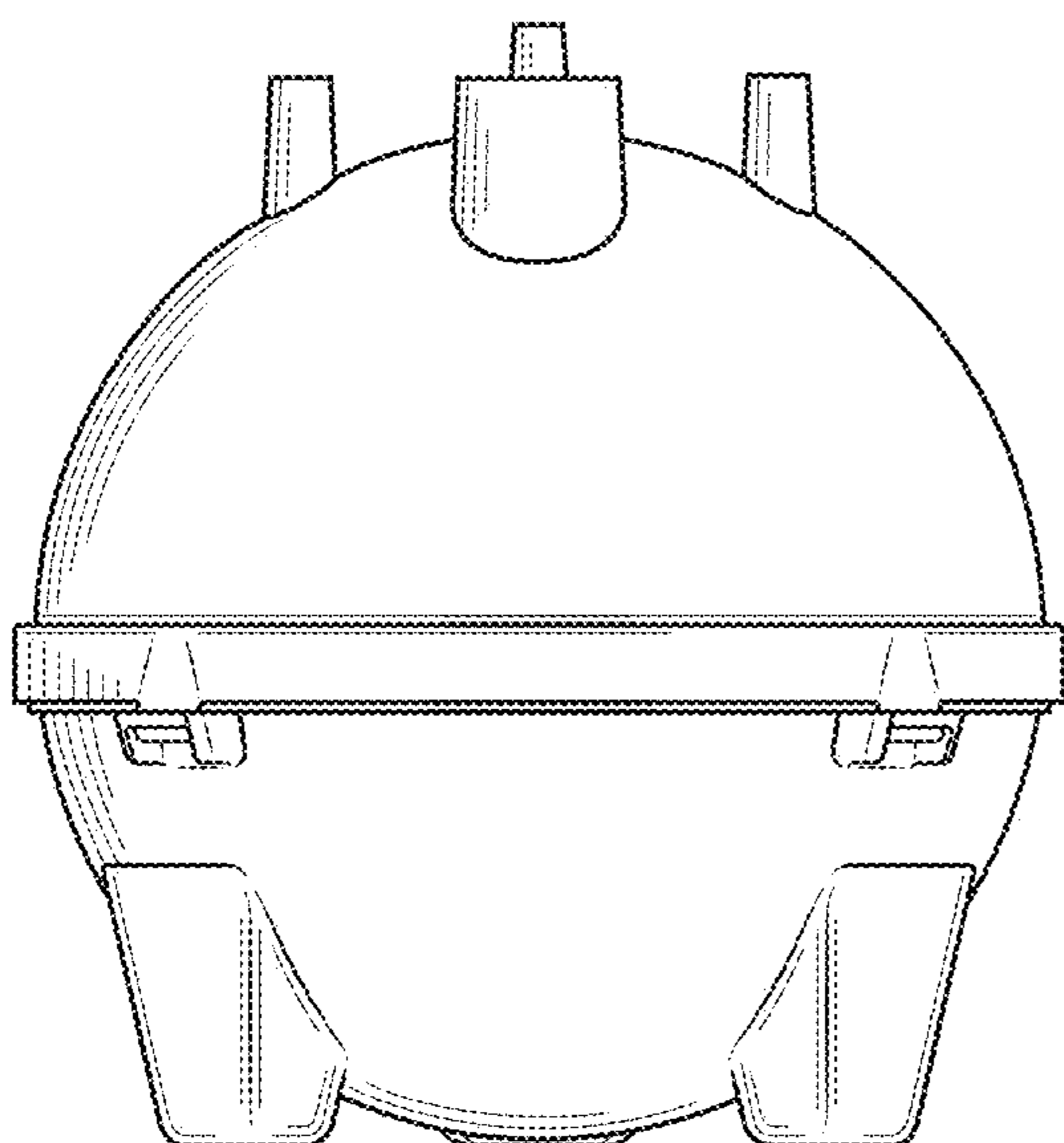


Fig. 6

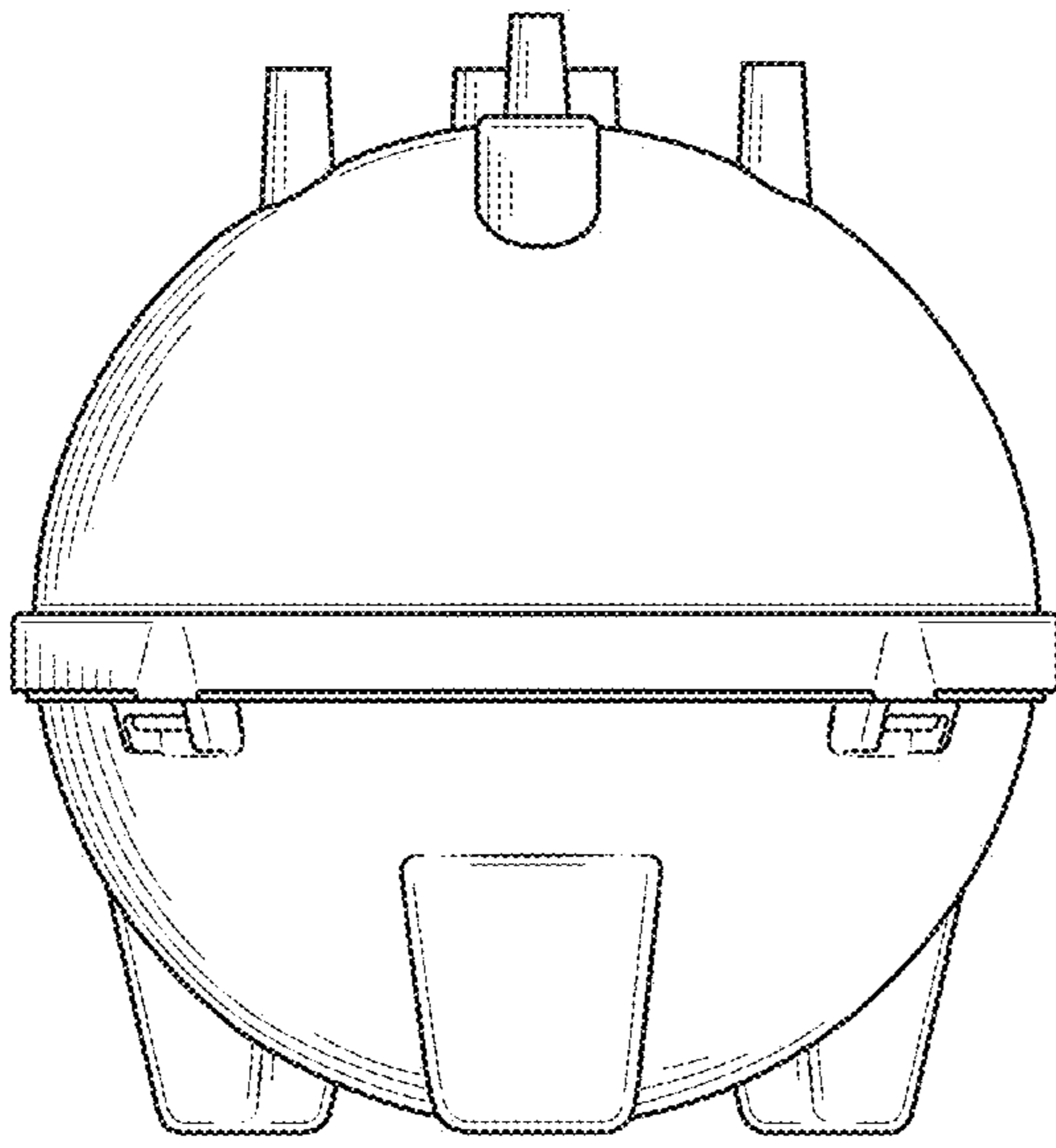


Fig. 7

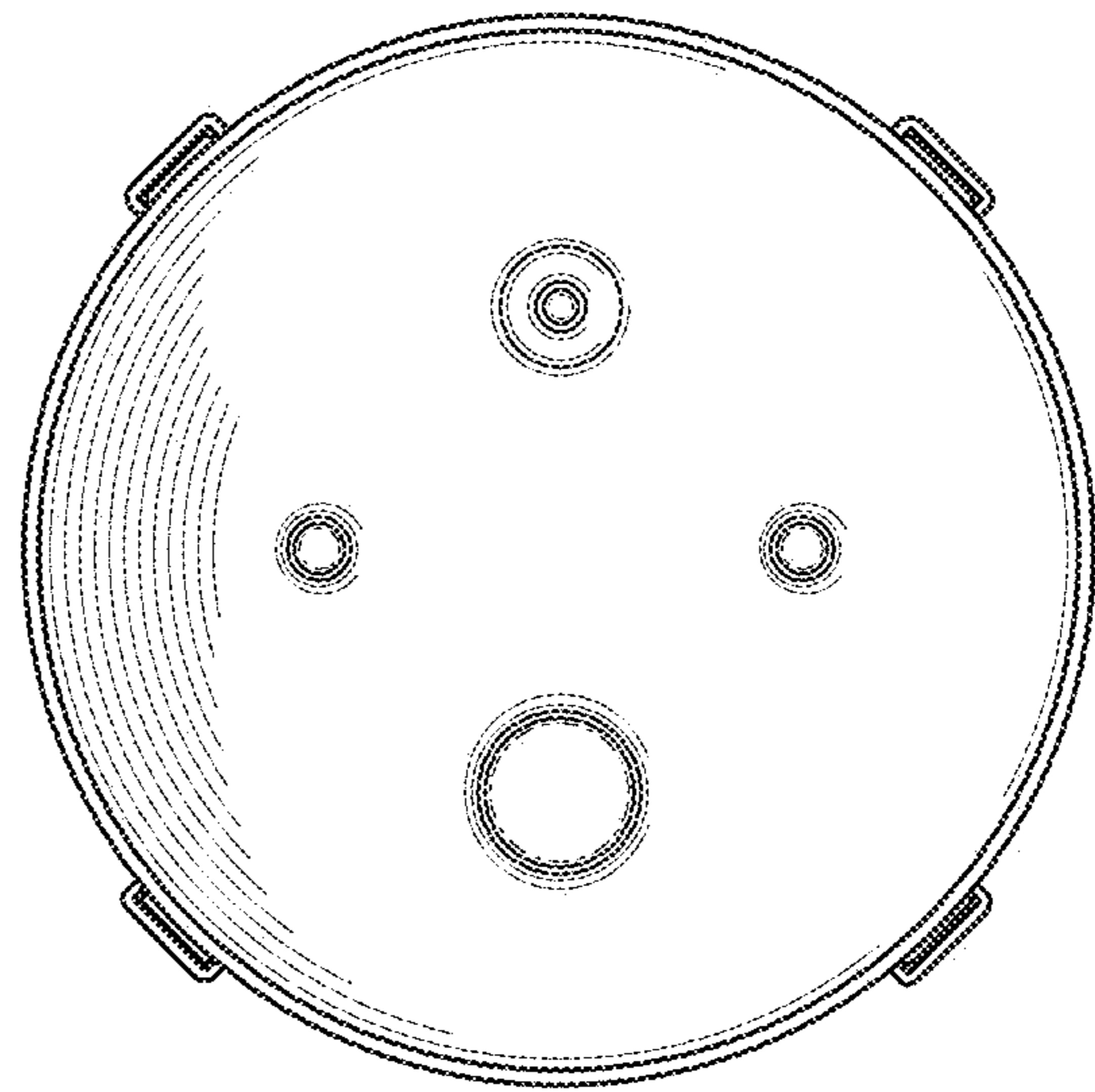


Fig. 8

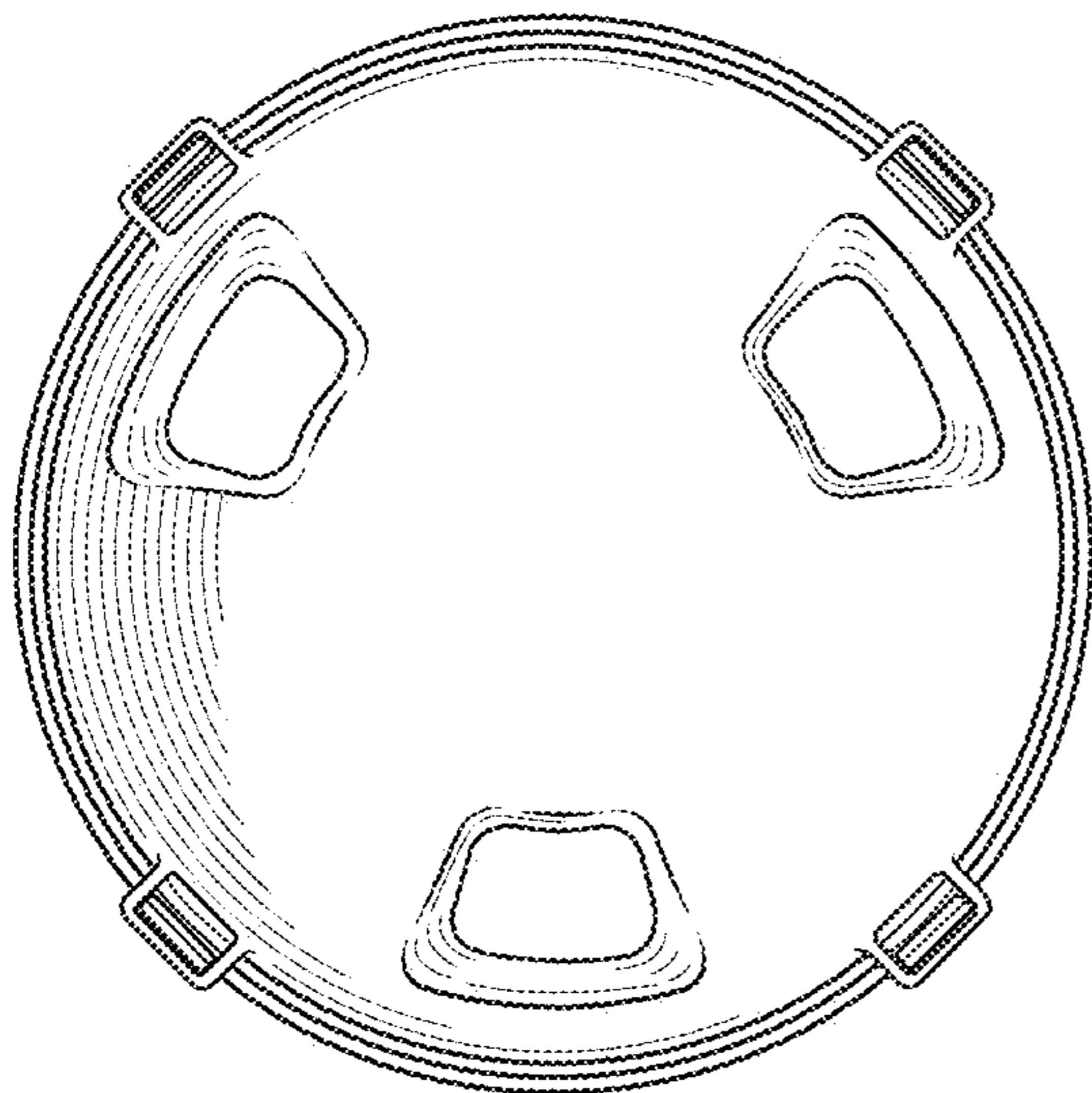


Fig. 9