



US00D888933S

(12) **United States Design Patent**
Jung et al.

(10) **Patent No.:** **US D888,933 S**
(45) **Date of Patent:** **** Jun. 30, 2020**

(54) **INHALER**
(71) Applicants: **Timo Jung**, Radolfzell (DE); **Jutta Schwarz**, Stockach (DE)
(72) Inventors: **Timo Jung**, Radolfzell (DE); **Jutta Schwarz**, Stockach (DE)

D576,874 S * 9/2008 Miller D9/448
D587,576 S * 3/2009 Miller D9/448
D638,117 S * 5/2011 Eckstein D24/110
D666,094 S * 8/2012 Cho D9/448
D717,424 S * 11/2014 Steelman D24/110
D757,926 S * 5/2016 Van Sickle D24/110
D773,034 S * 11/2016 Allnutt D24/110
D773,035 S * 11/2016 Neuner D24/110

(73) Assignee: **Aptar Radolfzell GmbH**, Radolfzell (DE)

(**) Term: **15 Years**

(21) Appl. No.: **29/673,860**

(22) Filed: **Dec. 18, 2018**

(30) **Foreign Application Priority Data**

Jun. 18, 2018 (EM) 005314341

(51) **LOC (12) Cl.** **29-02**

(52) **U.S. Cl.**
USPC **D24/110**

(58) **Field of Classification Search**
USPC D24/107, 108, 110, 110.1-110.5, 127, D24/164; D29/108

CPC A61M 15/0085; A61M 15/0005; A61M 11/005; A61M 11/00; A61M 11/02; A61M 11/04; A61M 5/087; A61M 5/0871; A61M 5/091; A61M 5/097; A61M 15/00; A61M 15/0065; A61M 15/0091; A61M 15/0021; A61M 15/0026; A61M 15/008; A61M 15/007; A63B 23/18

See application file for complete search history.

(56) **References Cited**

U.S. PATENT DOCUMENTS

D471,106 S * 3/2003 Pannozzo D9/448
D478,285 S * 8/2003 Pannozzo D9/448

OTHER PUBLICATIONS

U.S. Appl. No. 29/673 849, filed Dec. 18, 2018.
U.S. Appl. No. 29/673 862, filed Dec. 18, 2018.

* cited by examiner

Primary Examiner — Sheryl Lane
Assistant Examiner — Aula Soroush
(74) *Attorney, Agent, or Firm* — Flynn Thiel, P.C.

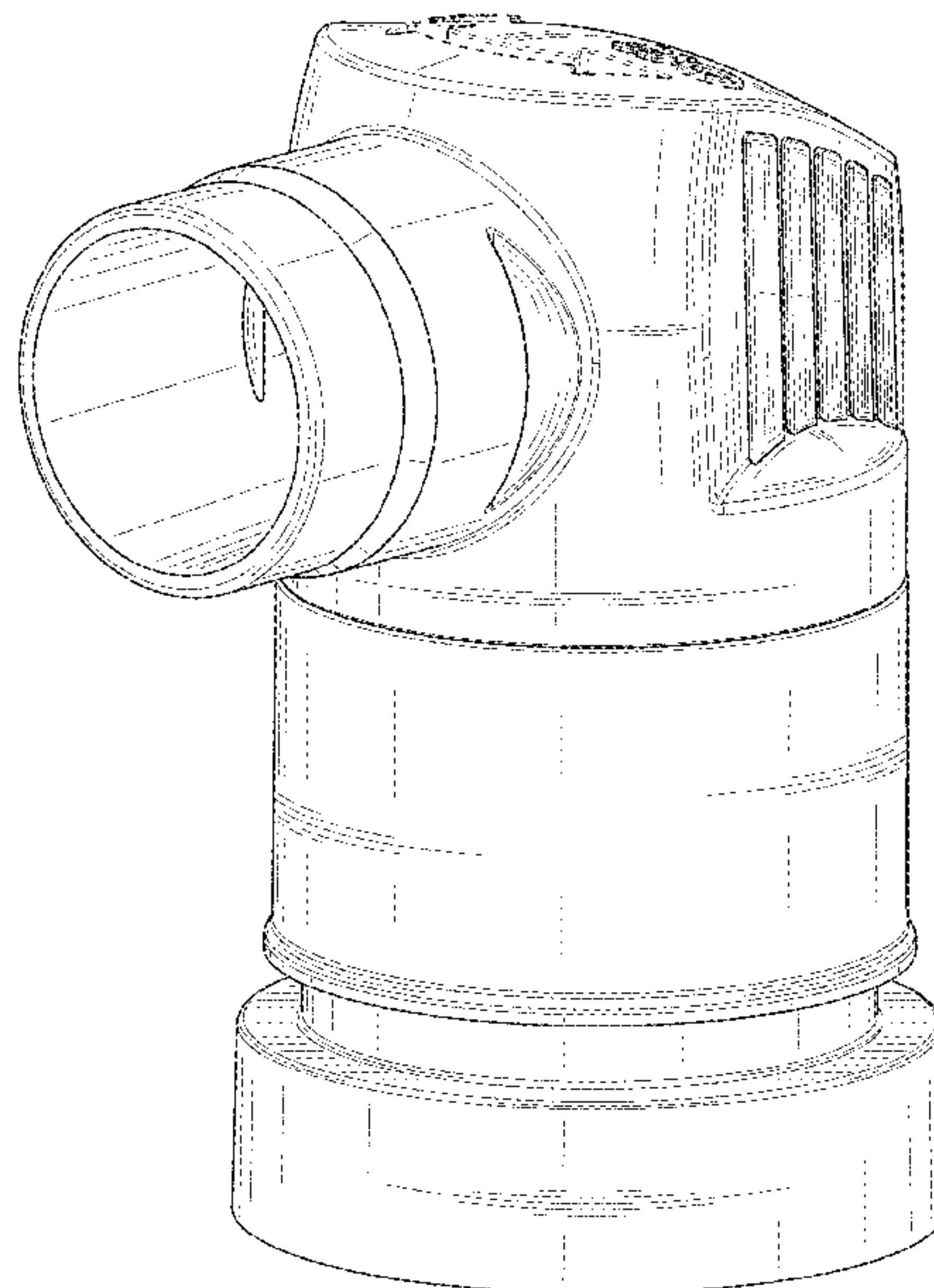
(57) **CLAIM**

The ornamental design for an inhaler, as shown and described.

DESCRIPTION

FIG. 1 is a perspective view of an inhaler showing our new design;
FIG. 2 is a front view thereof;
FIG. 3 is a rear view thereof;
FIG. 4 is a right side view thereof;
FIG. 5 is a left side view thereof;
FIG. 6 is a top view thereof; and,
FIG. 7 is a bottom view thereof.
The broken lines illustrating portions of the inhaler are for environmental purposes only and form no part of the claimed design.

1 Claim, 7 Drawing Sheets



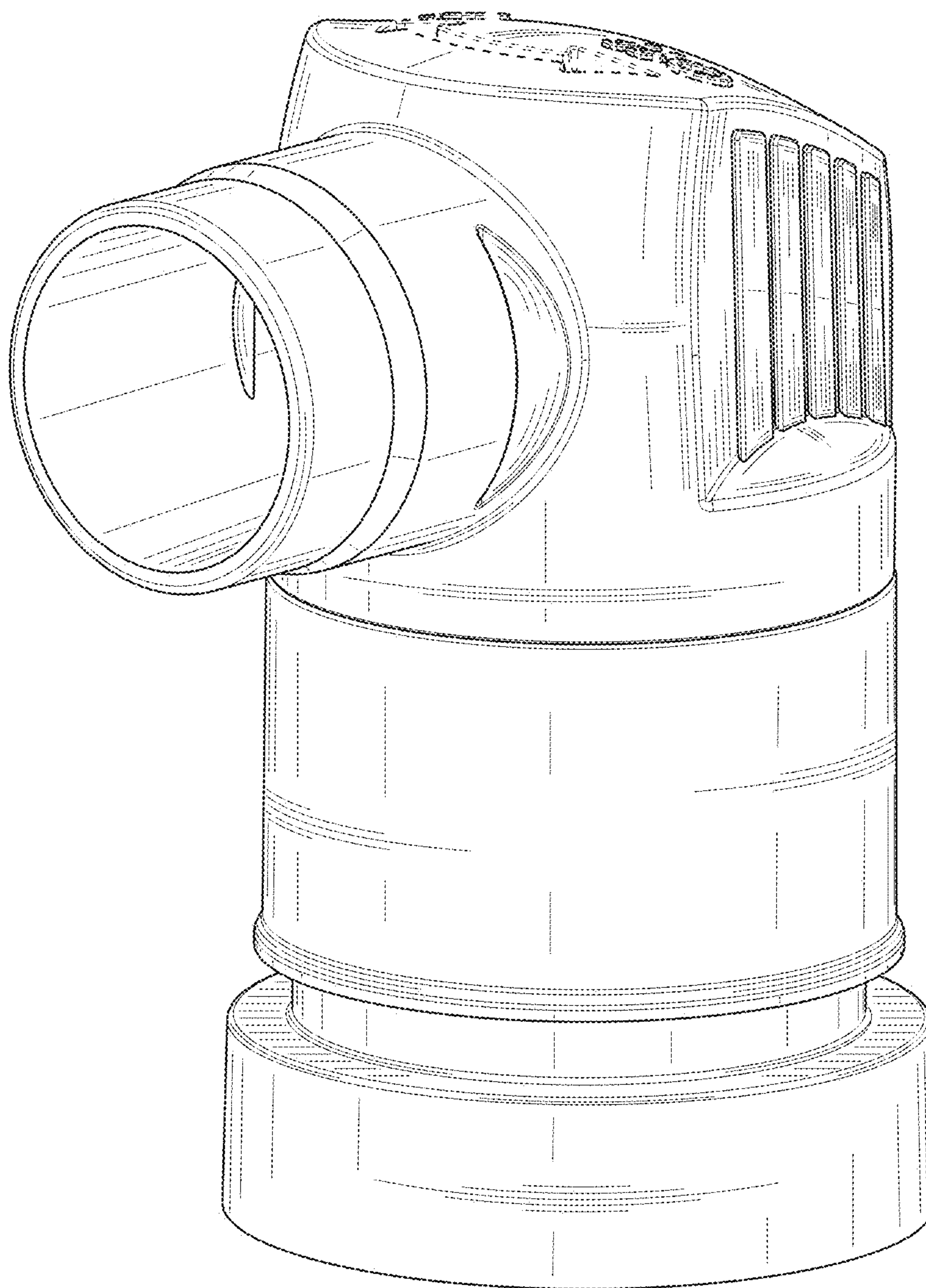


FIG. 1

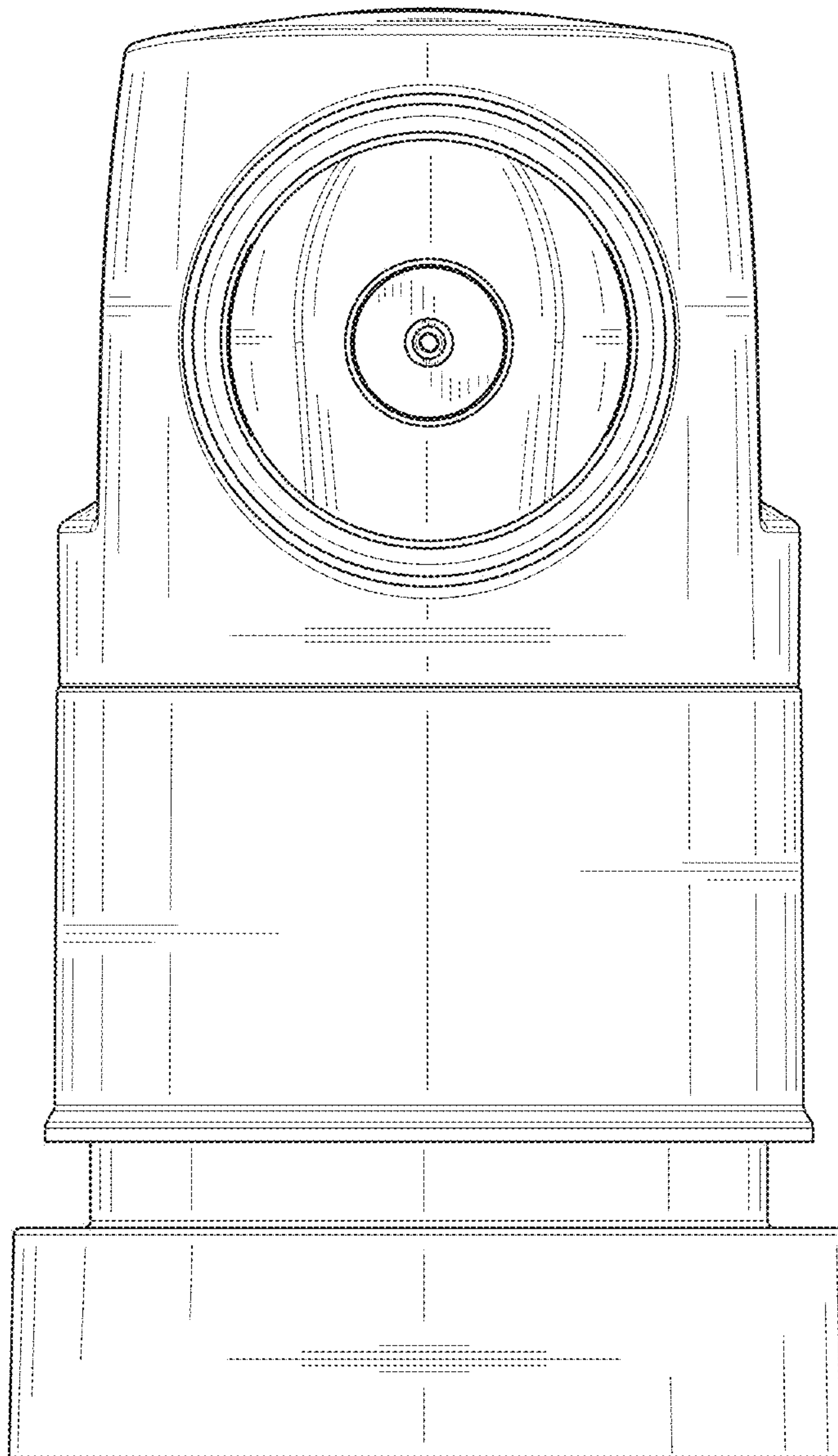


FIG. 2

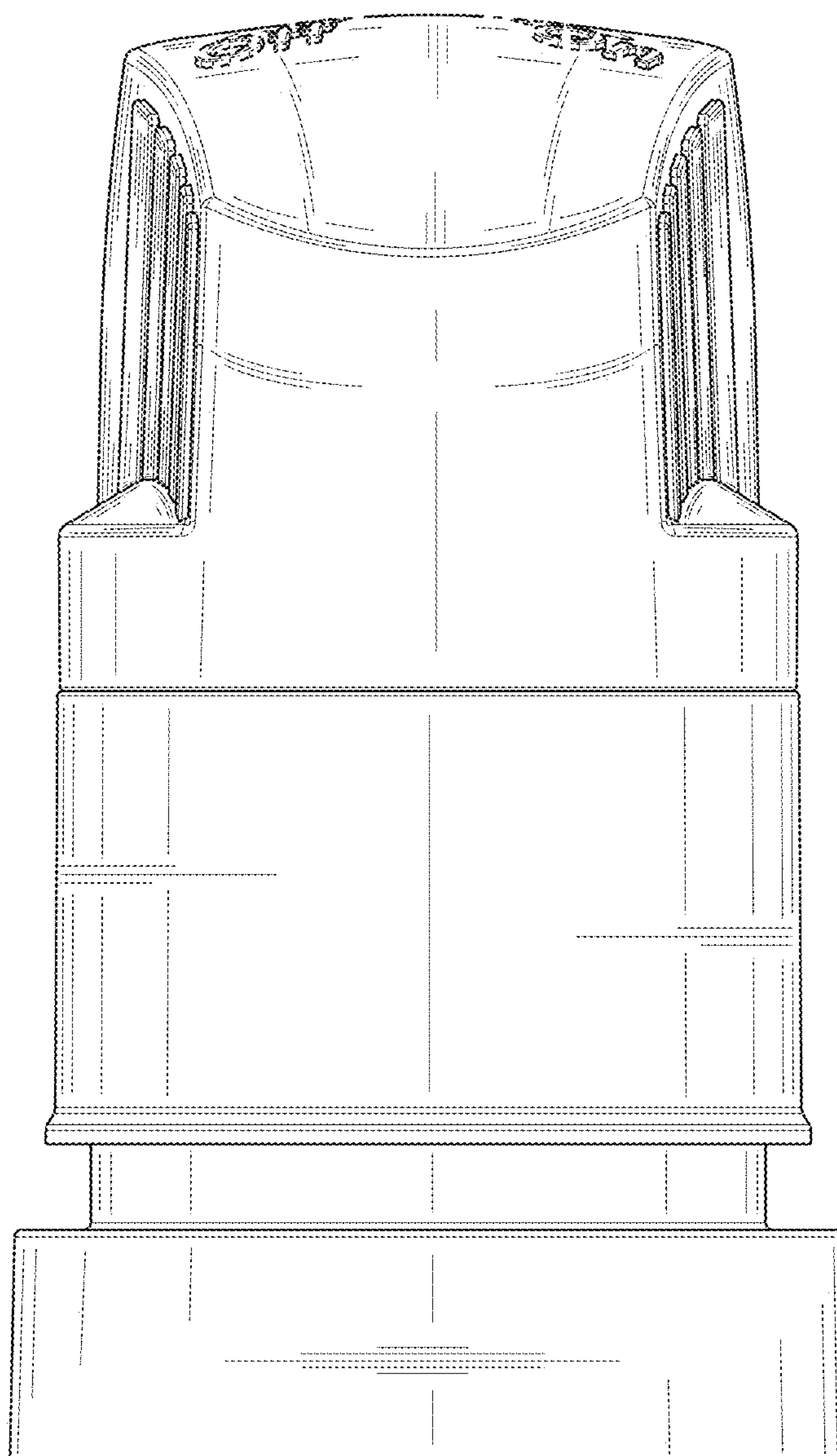


FIG. 3

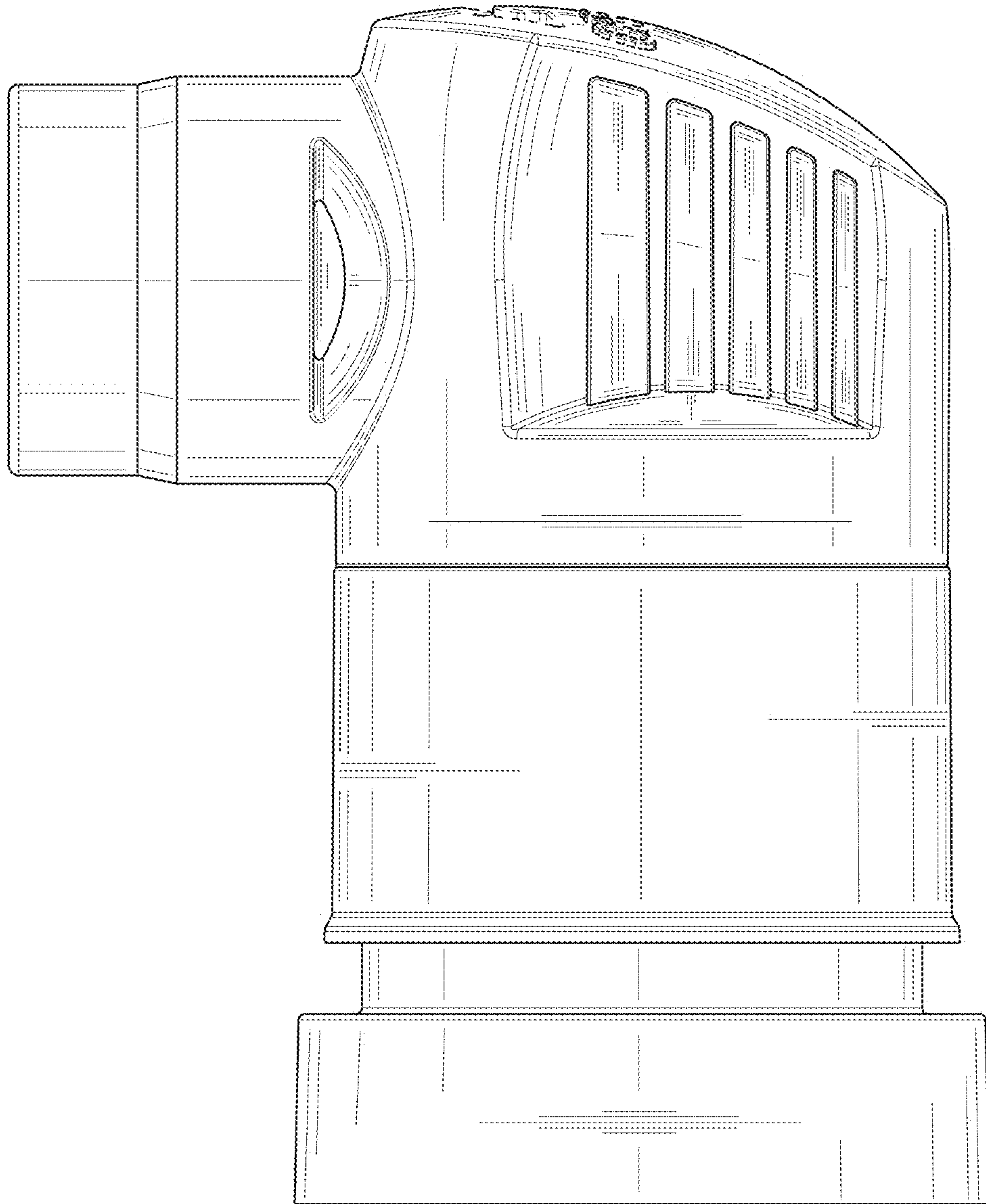


FIG. 4

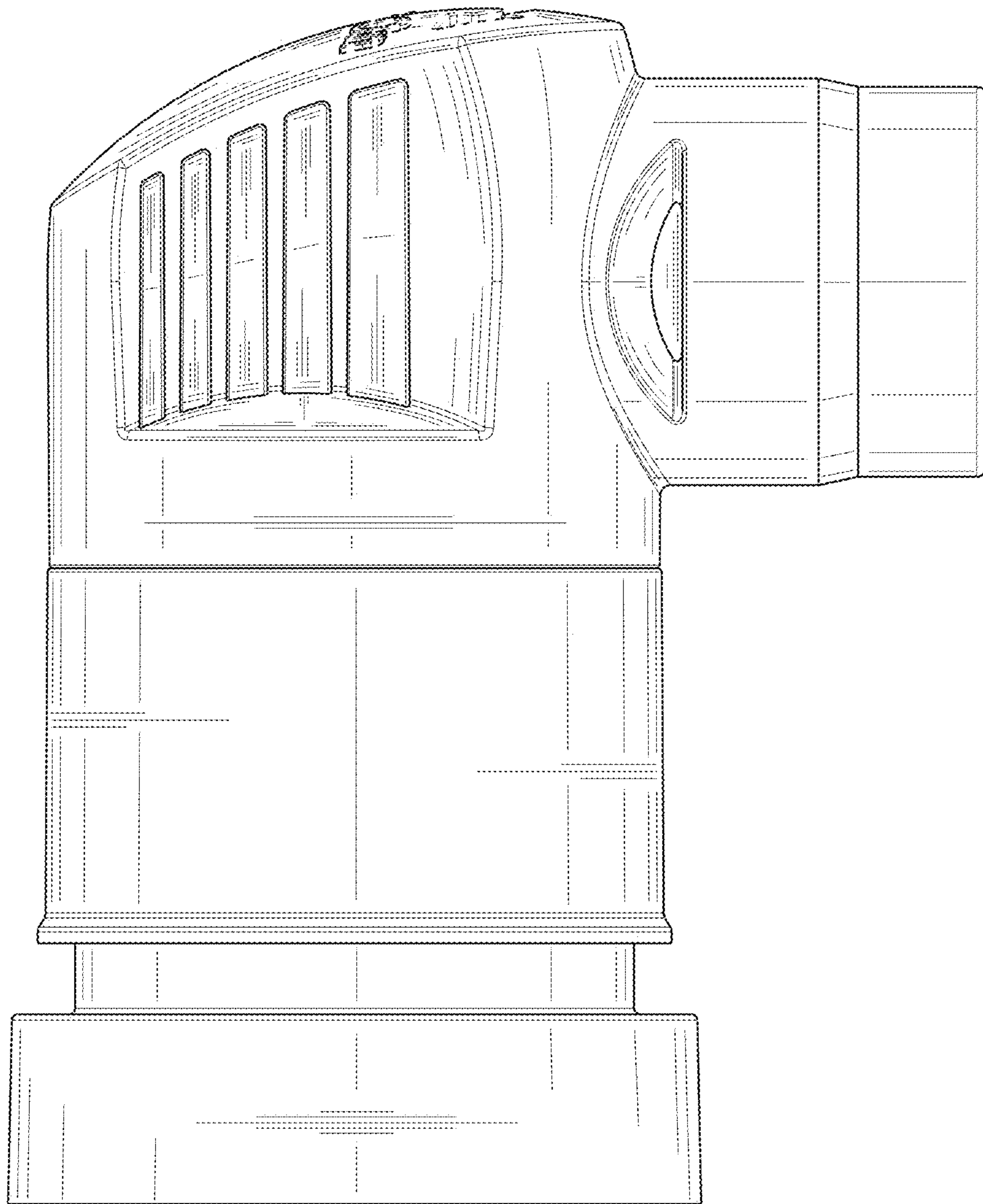


FIG. 5

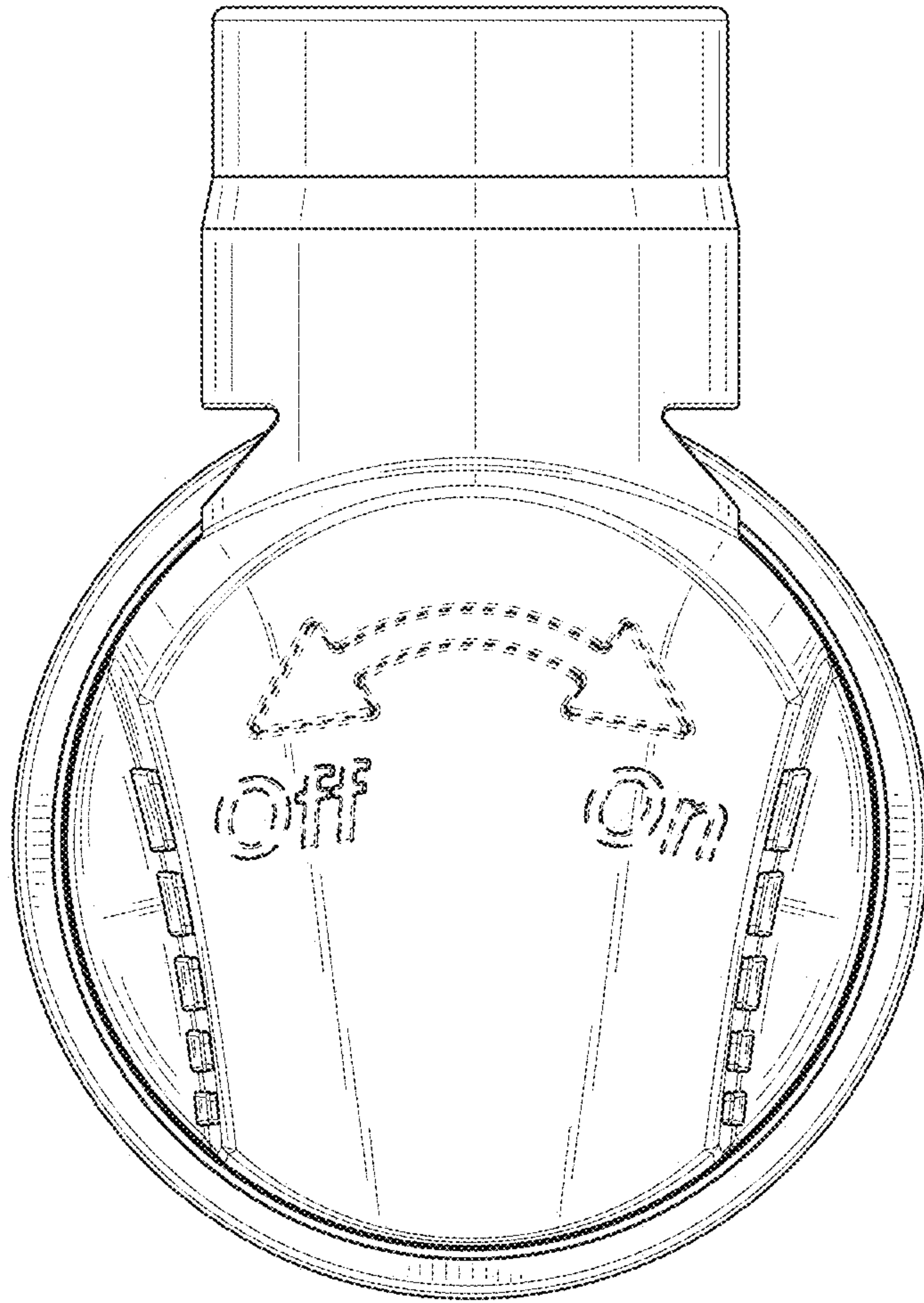


FIG. 6

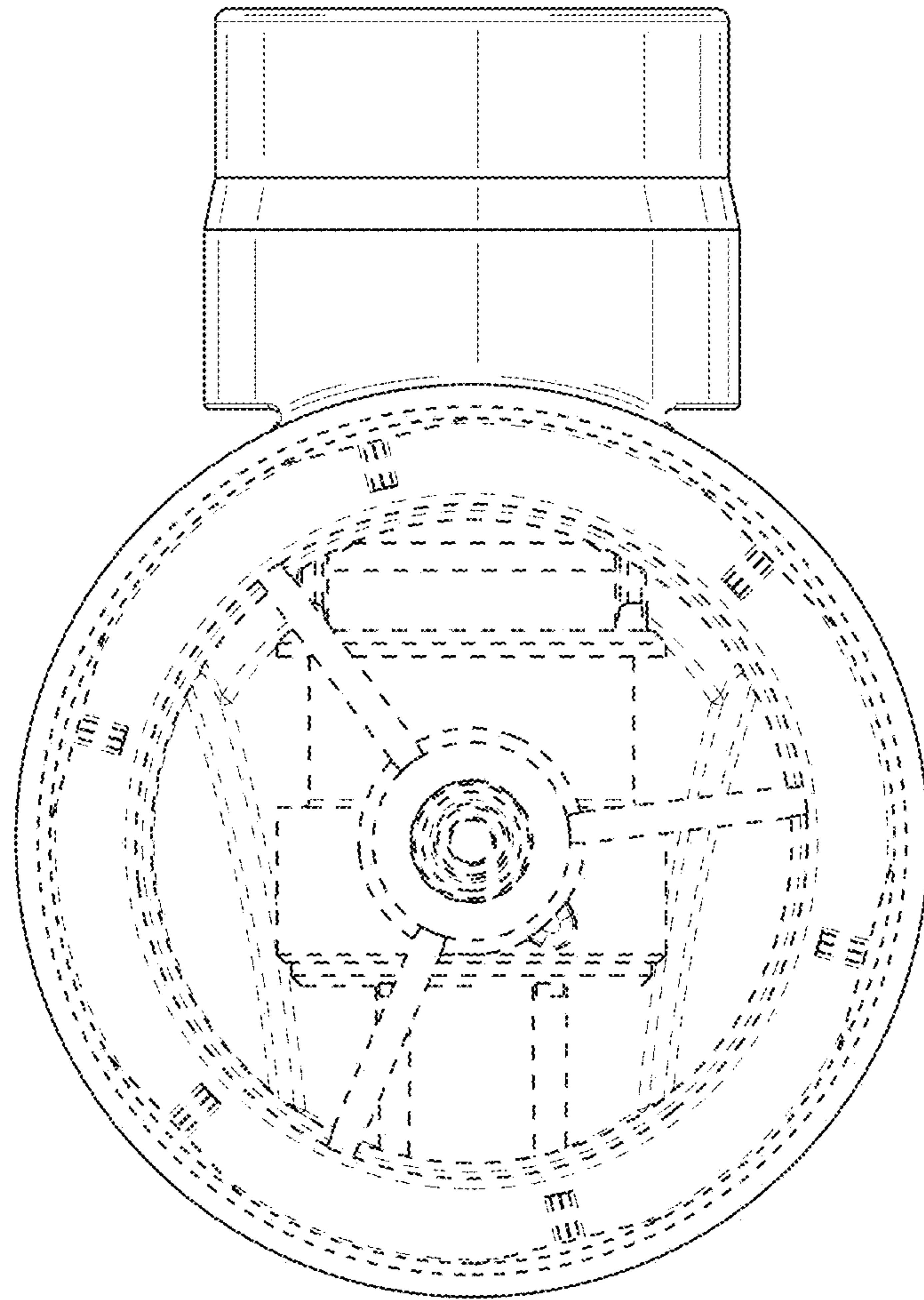


FIG. 7