



US00D888928S

(12) **United States Design Patent**
Hodgson et al.

(10) **Patent No.: US D888,928 S**

(45) **Date of Patent: ** *Jun. 30, 2020**

(54) **FAN**
(71) Applicant: **Dyson Technology Limited**, Wiltshire (GB)
(72) Inventors: **Christopher Steven Hodgson**, Bristol (GB); **Philip Tennison Reilly**, Sheffield (GB); **Alexander James Morrison**, Bristol (GB); **Stuart Anthony Kellett**, Swindon (GB); **Adam Pinkstone**, Gloucester (GB); **Adam James Bates**, Oxford (GB); **Alexander Stuart Knox**, Swindon (GB)

(73) Assignee: **Dyson Technology Limited**, Malmesbury, Wiltshire (GB)

(*) Notice: This patent is subject to a terminal disclaimer.

(**) Term: **15 Years**

(21) Appl. No.: **29/650,613**

(22) Filed: **Jun. 7, 2018**

(30) **Foreign Application Priority Data**

Dec. 11, 2017 (EM) 004543007-0002

(51) **LOC (12) Cl.** **23-04**

(52) **U.S. Cl.**
USPC **D23/370**; D23/364

(58) **Field of Classification Search**
USPC D23/332-337, 355-364, 366, 370-376, D23/378, 386-391, 411-414
CPC F04D 5/00; F04D 27/00; F04D 25/088; F04D 29/005; F04D 29/601; F04D 29/324; F24H 3/04; F21V 33/0096; F21V 33/0092; F24F 13/078
See application file for complete search history.

(56) **References Cited**

U.S. PATENT DOCUMENTS

D598,532 S * 8/2009 Dyson F04F 5/16
D23/370
D602,143 S * 10/2009 Gammack F04F 5/16
D23/370

D602,144 S * 10/2009 Dyson F04F 5/16
D23/370
D605,748 S * 12/2009 Gammack F04D 25/08
D23/370
D614,280 S * 4/2010 Dyson F04F 5/16
D23/370
D638,114 S * 5/2011 Li D23/370
D672,023 S * 12/2012 Wallace D23/332
D672,024 S * 12/2012 Fitton D23/370

(Continued)

OTHER PUBLICATIONS

Peet et al., U.S. Office Action dated Nov. 15, 2019, directed to U.S. Appl. No. 29/650,616; 12 pages.

(Continued)

Primary Examiner — Cathron C Brooks

Assistant Examiner — Sharon S Oum

(74) *Attorney, Agent, or Firm* — Morrison & Foerster LLP

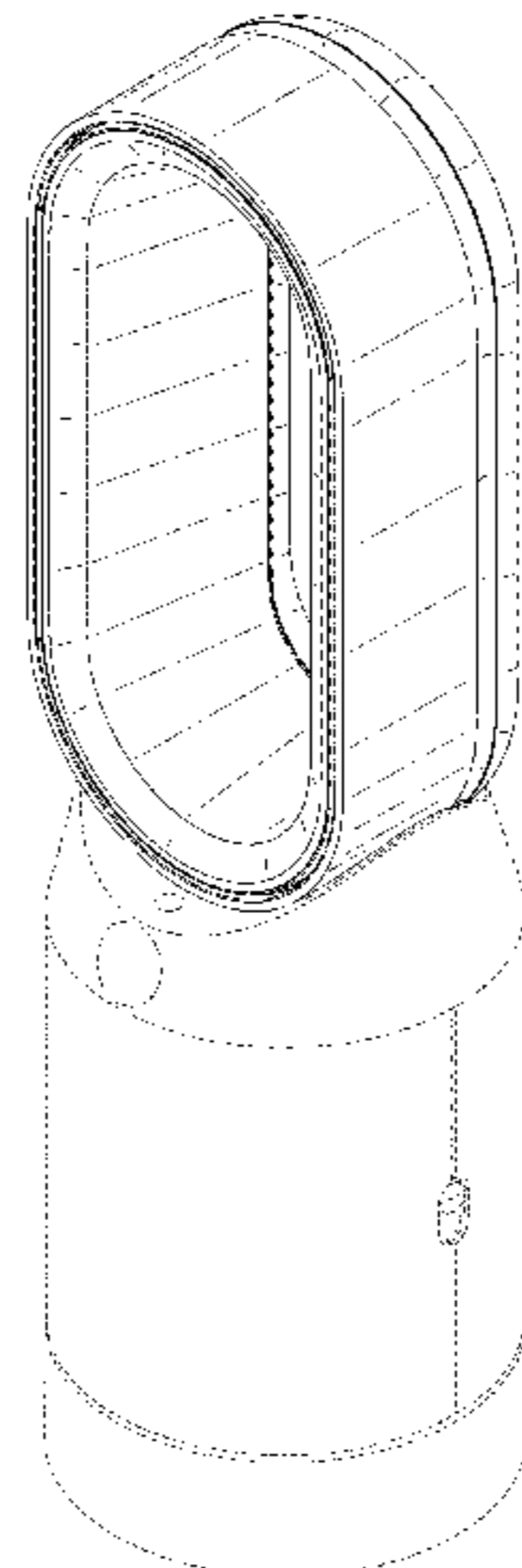
(57) **CLAIM**

We claim the ornamental design for a fan, as shown and described.

DESCRIPTION

FIG. 1 is a perspective view of a fan showing our new design;
FIG. 2 is a side view thereof;
FIG. 3 is a front view thereof;
FIG. 4 is a side view of the opposite side of FIG. 2;
FIG. 5 is a rear view thereof;
FIG. 6 is a top view thereof; and,
FIG. 7 is a bottom view thereof.
The broken lines shown in the drawings illustrate portions of a fan that form no part of the claimed design.

1 Claim, 7 Drawing Sheets



(56)

References Cited

U.S. PATENT DOCUMENTS

D678,993 S * 3/2013 Kung-Hua D23/370
 D728,092 S * 4/2015 Poulton D23/342
 D728,769 S * 5/2015 Dyson D23/342
 D728,770 S * 5/2015 Dyson D23/342
 D729,372 S * 5/2015 McPherson D23/370
 D729,373 S * 5/2015 Dos Reis D23/370
 D729,374 S * 5/2015 Dos Reis D23/370
 D729,375 S * 5/2015 Dos Reis D23/370
 D729,376 S * 5/2015 McPherson D23/370
 D729,925 S * 5/2015 McPherson D23/370
 D746,425 S * 12/2015 Dyson D23/356
 D746,966 S * 1/2016 Dyson D23/356
 D768,280 S * 10/2016 Peet D23/370
 D768,839 S * 10/2016 Peet D23/370
 D768,842 S * 10/2016 Peet D23/370
 D782,640 S * 3/2017 Poulton D23/370
 D782,641 S * 3/2017 Poulton D23/370
 D782,643 S * 3/2017 Poulton D23/370
 D783,140 S * 4/2017 Poulton D23/370
 D783,141 S * 4/2017 Poulton D23/370
 D790,681 S * 6/2017 Poulton D23/370

10,041,504 B2 * 8/2018 Stewart F04D 29/646
 D838,355 S * 1/2019 Cho D23/390
 10,260,521 B2 * 4/2019 Barclay F04D 25/08
 D854,134 S * 7/2019 Jessup D23/364
 D859,620 S * 9/2019 Le D23/335
 D862,672 S * 10/2019 Chen D23/364
 2013/0028763 A1 * 1/2013 Staniforth F04D 25/08
 417/423.5
 2013/0142676 A1 * 6/2013 Zou F04F 5/16
 417/313
 2013/0249124 A1 * 9/2013 Staniforth F24F 3/16
 261/128
 2014/0084492 A1 * 3/2014 Staniforth F04D 25/08
 261/31
 2015/0084214 A1 * 3/2015 Wilson C02F 1/325
 261/32
 2016/0281742 A1 * 9/2016 Rivera F04D 29/601

OTHER PUBLICATIONS

Peet et al., U.S. Office Action dated Nov. 15, 2019, directed to U.S. Appl. No. 29/650,619; 14 pages.

* cited by examiner

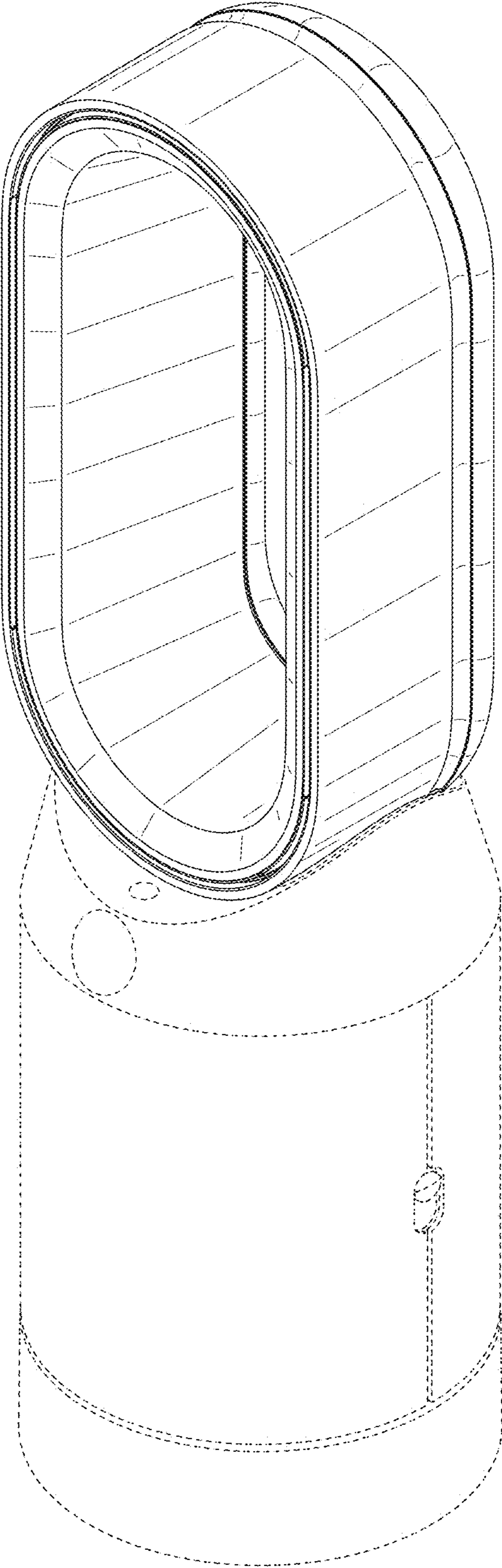


FIG. 1

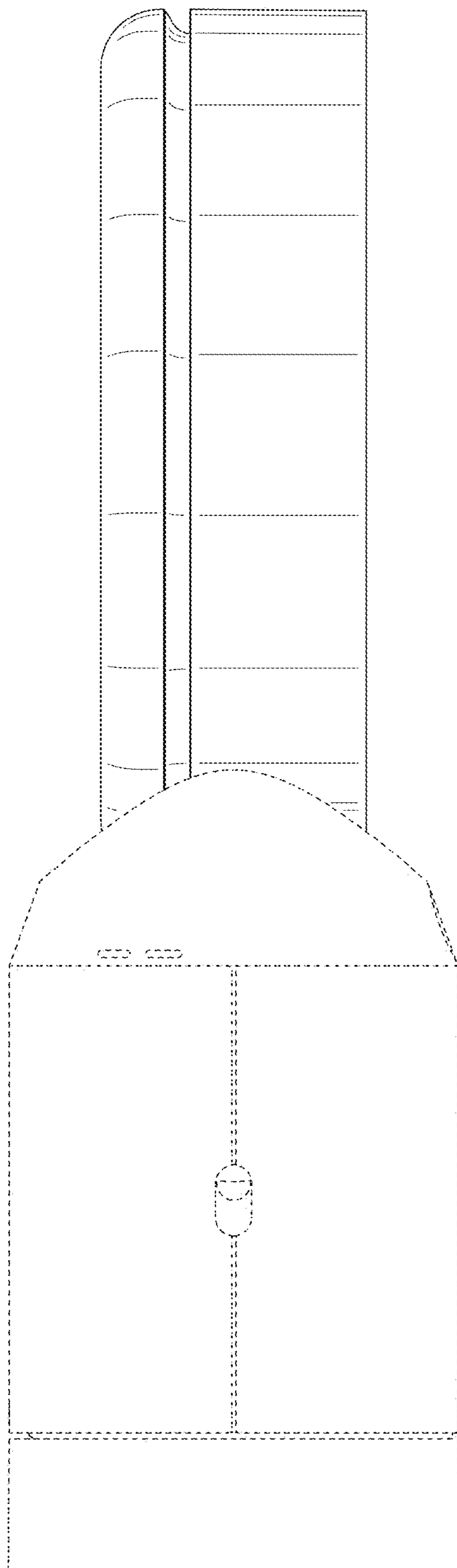


FIG. 2

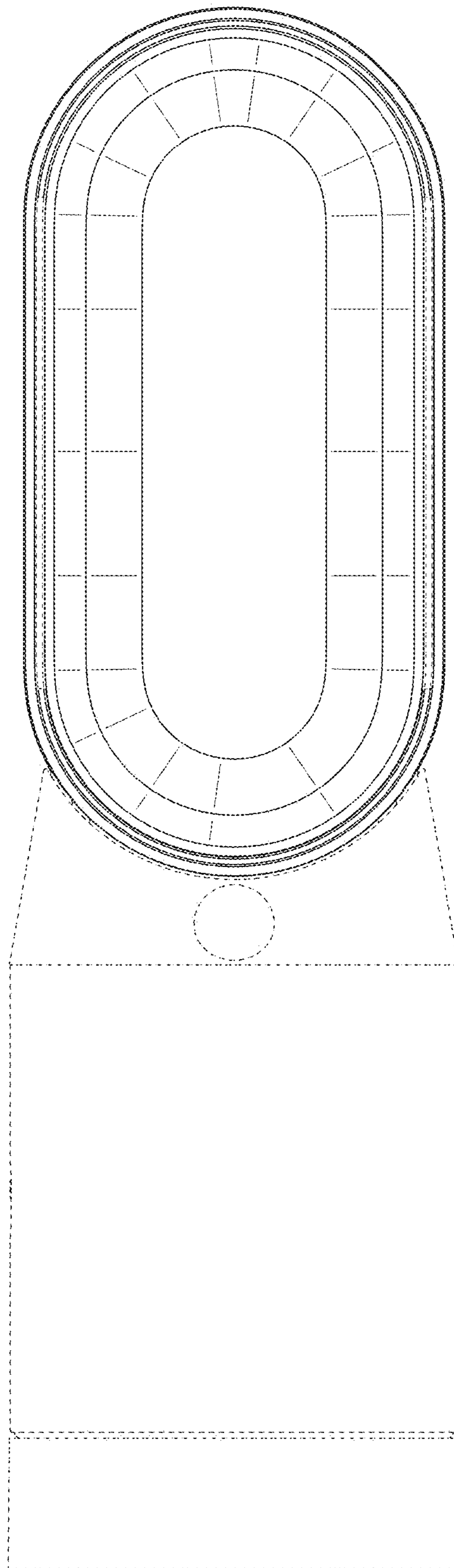


FIG. 3

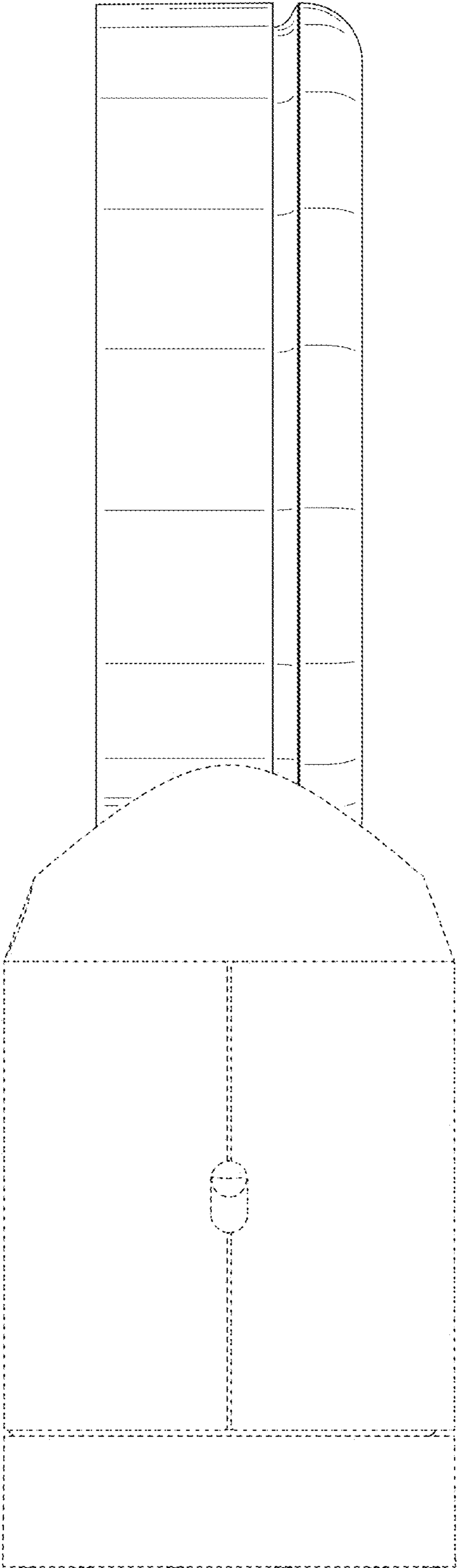


FIG. 4

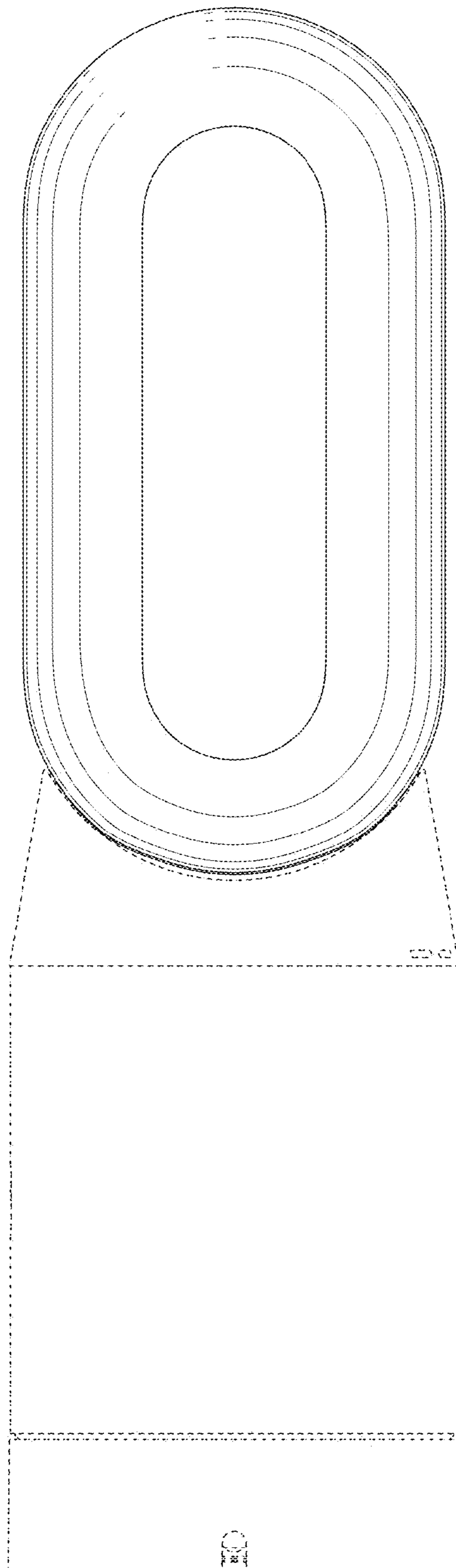


FIG. 5

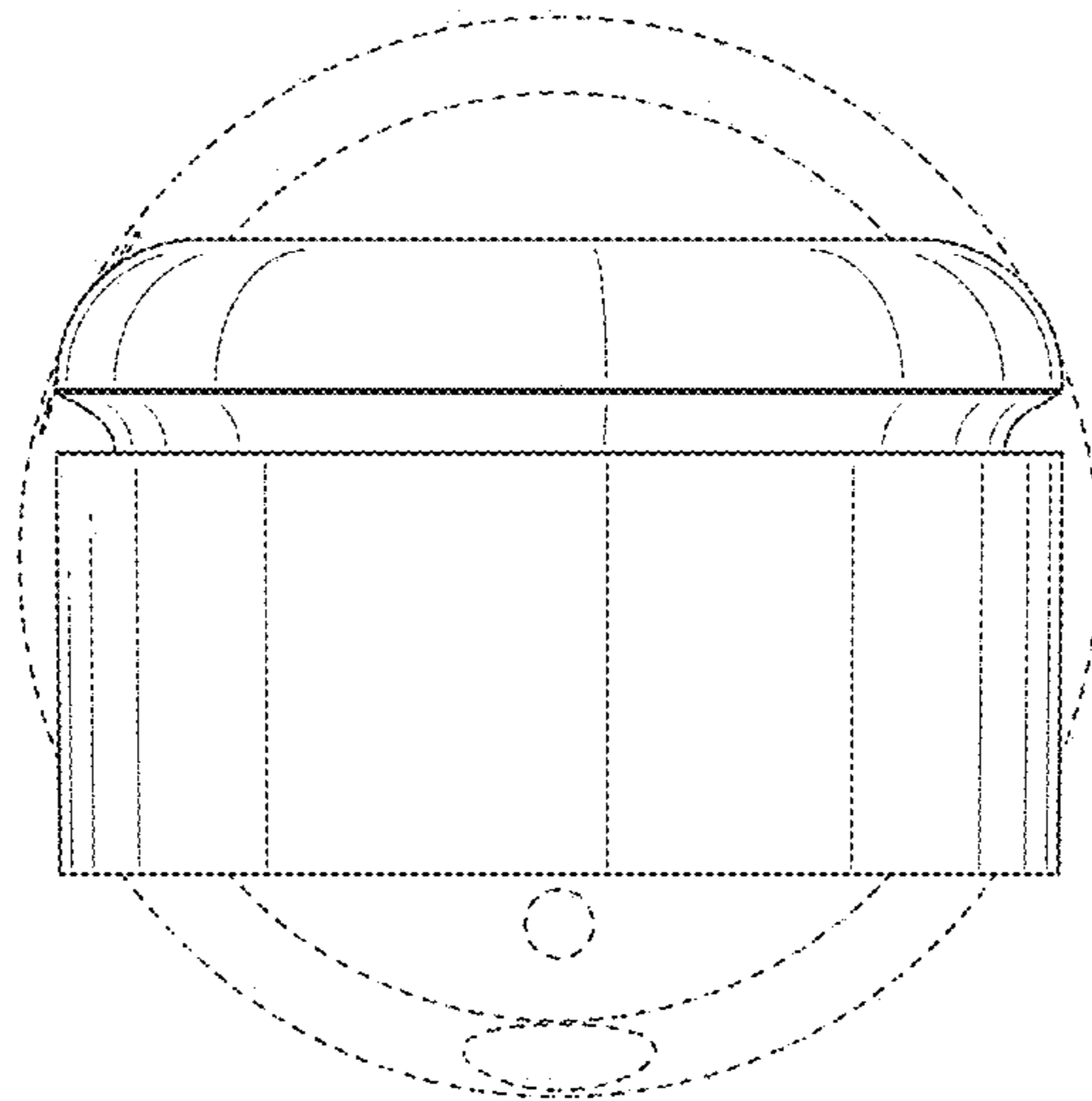


FIG. 6

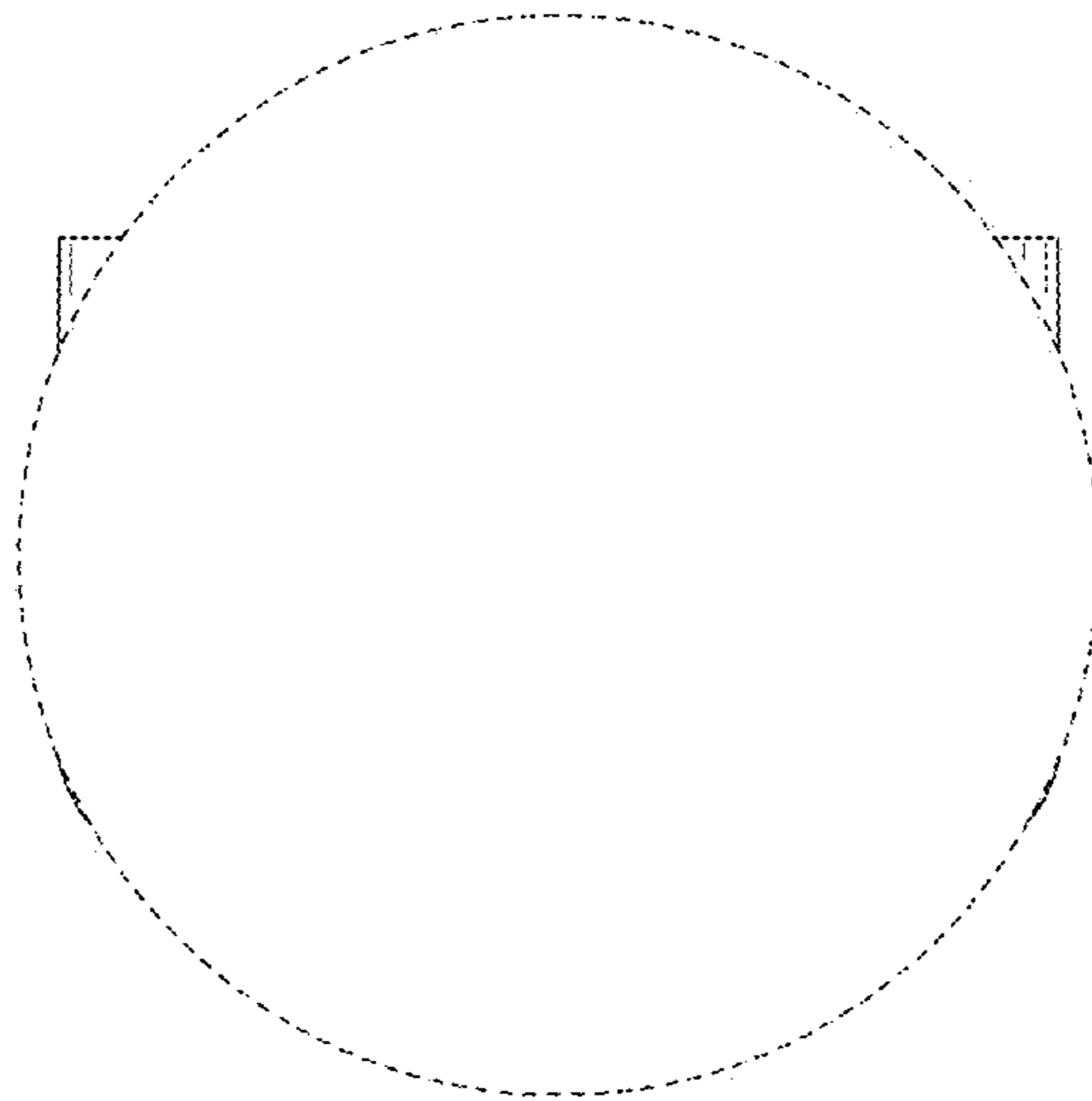


FIG. 7