



US00D888925S

(12) **United States Design Patent**
Brandenburg

(10) **Patent No.:** **US D888,925 S**
(45) **Date of Patent:** **** Jun. 30, 2020**

- (54) **AIR FRESHENER CONTAINER LID**
- (71) Applicant: **Brandywine Product Group International, Inc.**, Wilmington, DE (US)
- (72) Inventor: **Kyle Brandenburg**, Middletown, DE (US)
- (73) Assignee: **Brandywine Product Group International, Inc.**, Wilmington, DE (US)

- D606,642 S 12/2009 Weggelaar
- D638,112 S 5/2011 Hisey
- D641,464 S 7/2011 DeHaan et al.
- D645,949 S 9/2011 Brandenburg et al.
- D647,190 S 10/2011 Walter
- D658,935 S 5/2012 Luppino
- D707,805 S 6/2014 Brewer
- 8,978,999 B2 3/2015 Lesniak et al.
- D743,519 S 11/2015 Furner
- D767,108 S 9/2016 Brandenburg
- D782,108 S 3/2017 Jordan
- D798,430 S 9/2017 Nord
- D799,018 S 10/2017 Kim

(Continued)

- (**) Term: **15 Years**
- (21) Appl. No.: **29/712,972**
- (22) Filed: **Nov. 13, 2019**

Primary Examiner — Sheryl Lane
Assistant Examiner — Calvin E Vansant
 (74) *Attorney, Agent, or Firm* — Rogowski Law LLC

(57) **CLAIM**

The ornamental design for an air freshener container lid, as shown and described.

Related U.S. Application Data

- (62) Division of application No. 29/645,198, filed on Apr. 24, 2018, now Pat. No. Des. 878,535.
- (51) **LOC (12) Cl.** **23-04**
- (52) **U.S. Cl.**
USPC **D23/366; D7/392**
- (58) **Field of Classification Search**
USPC D23/208, 355–369; D14/209.1, 212–213; D11/144; D10/46.2; D7/300, 300.1, 392, D7/510, 591
CPC A61L 9/02; A61L 9/03; A61L 9/12; A61L 9/035; A61L 9/125
See application file for complete search history.

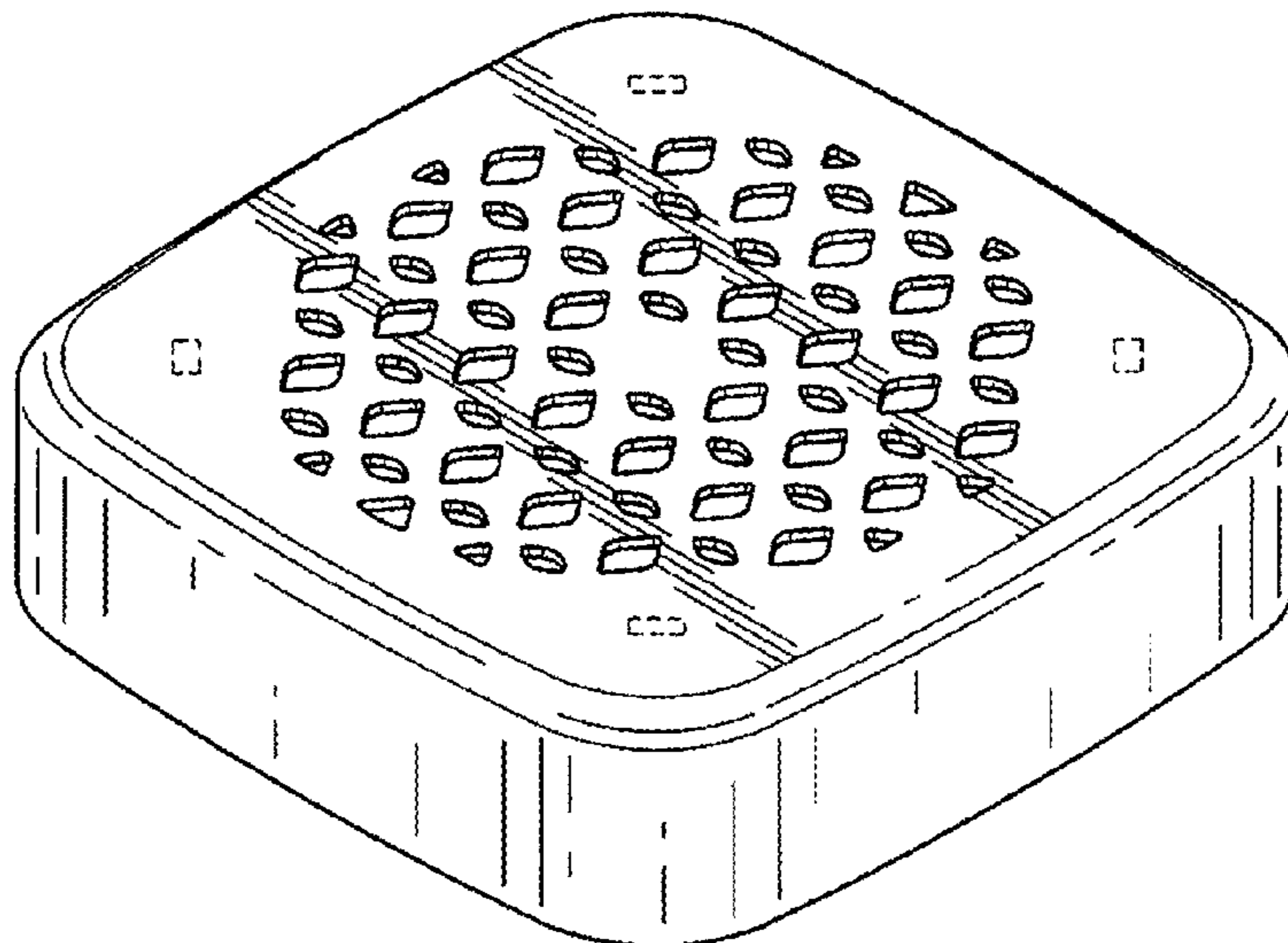
DESCRIPTION

FIG. 1 is a right front perspective view of an air freshener container lid;
 FIG. 2 is a top plan view of the air freshener container lid of FIG. 1;
 FIG. 3 is a bottom plan view of the air freshener container lid of FIG. 1;
 FIG. 4 is right side elevational view of the air freshener container lid of FIG. 1;
 FIG. 5 is a left side elevational view of the air freshener container lid of FIG. 1;
 FIG. 6 is a front elevational view of the air freshener container lid of FIG. 1; and,
 FIG. 7 is a rear elevational view of the air freshener container lid of FIG. 1.
 The broken lines showing portions of the air freshener container lid are included for the purpose of illustrating the portions of the article and form no part of the claimed design.

(56) **References Cited**
 U.S. PATENT DOCUMENTS

- D41,558 S 7/1911 Frank
- D164,983 S 10/1951 Crook
- D212,753 S 11/1968 Tughan
- D491,257 S 6/2004 Picken, Jr.
- D520,623 S 5/2006 Lablaine
- D555,478 S 11/2007 Miller

1 Claim, 3 Drawing Sheets



(56)

References Cited

U.S. PATENT DOCUMENTS

D803,073 S	11/2017	Ji
D817,469 S	5/2018	Lane
D836,760 S	12/2018	Fredang
D837,355 S	1/2019	Gunnefur
D844,765 S	4/2019	Zhang
D853,547 S	7/2019	Avidor

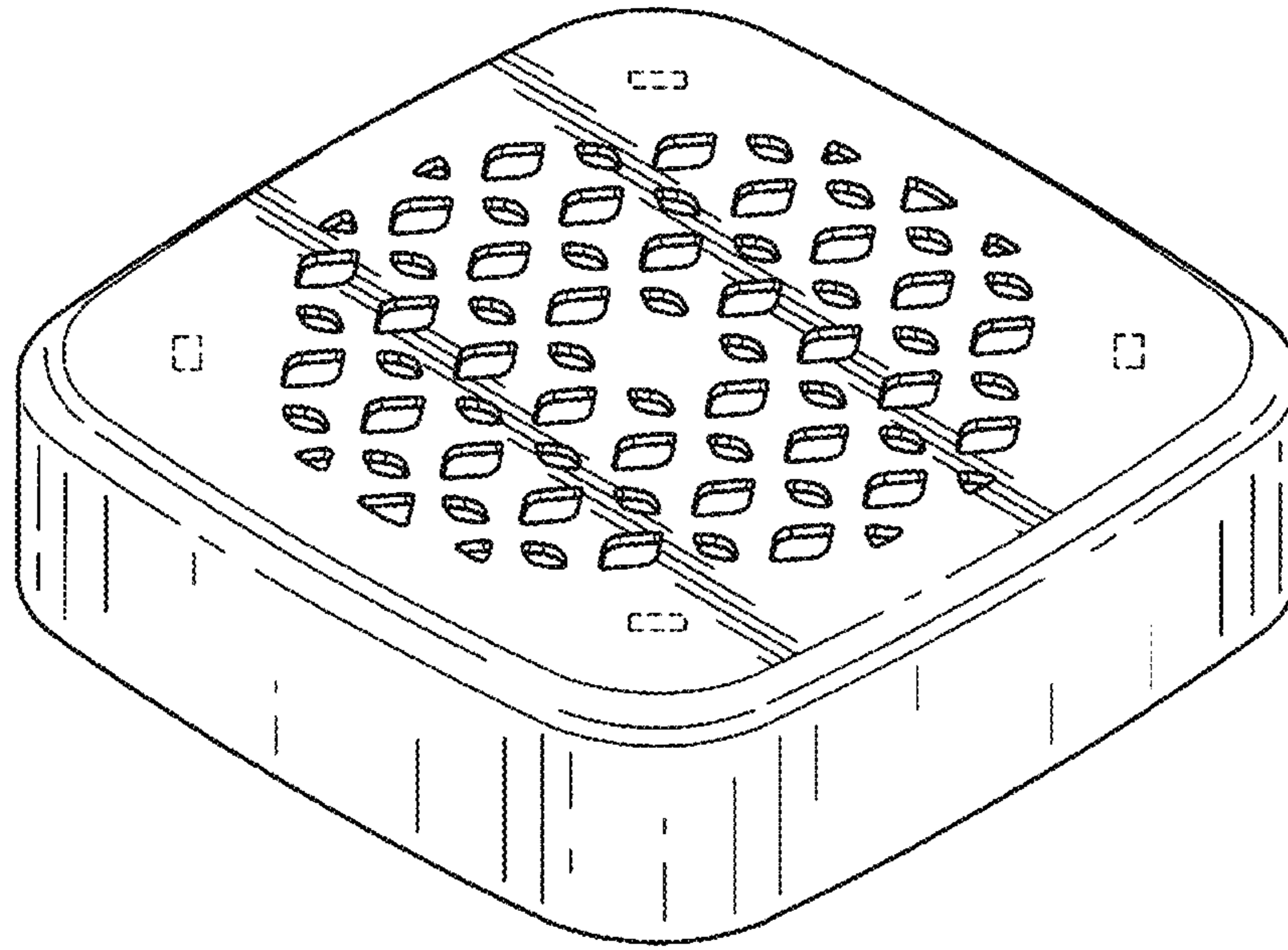


FIG. 1

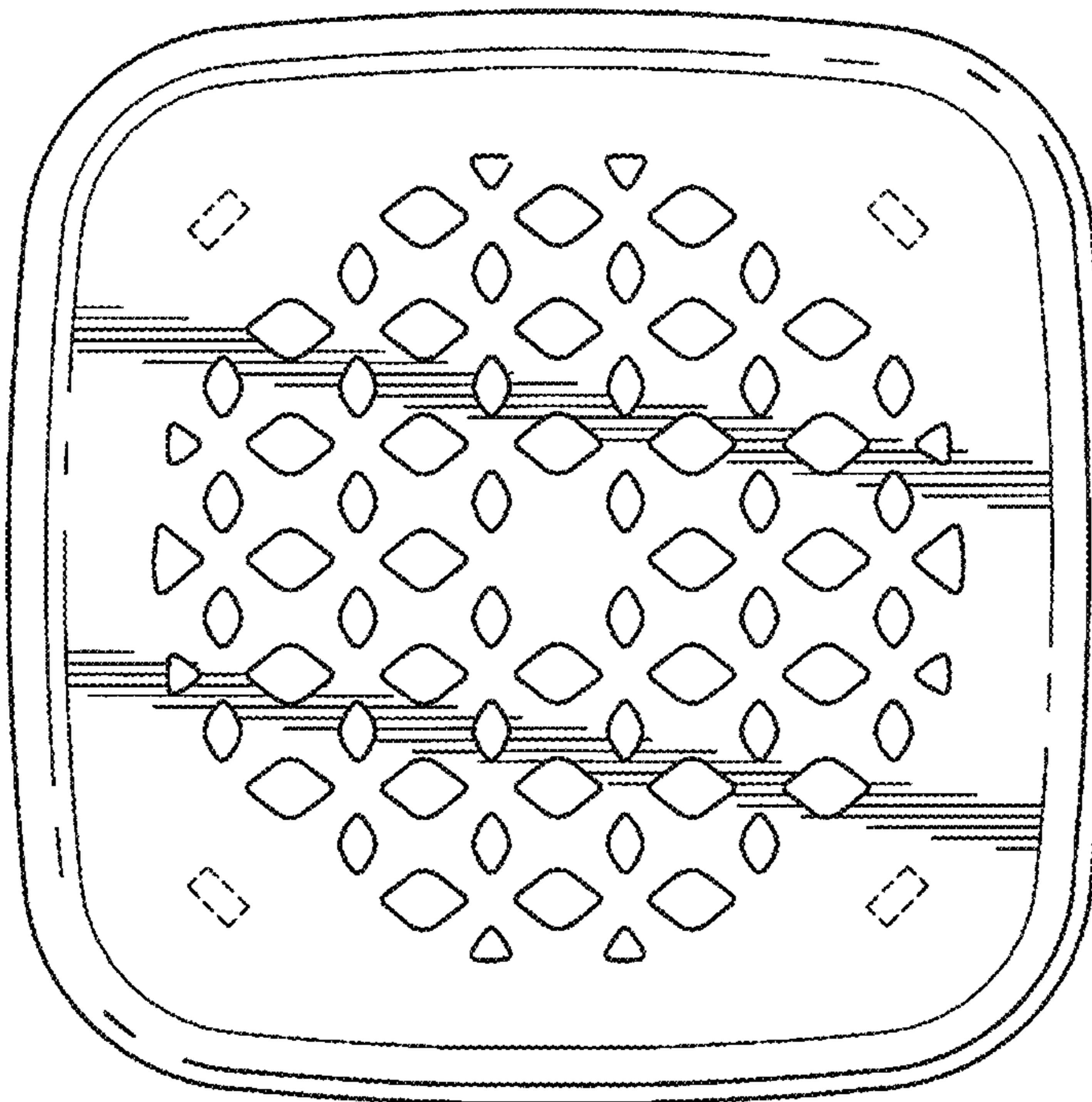


FIG. 2

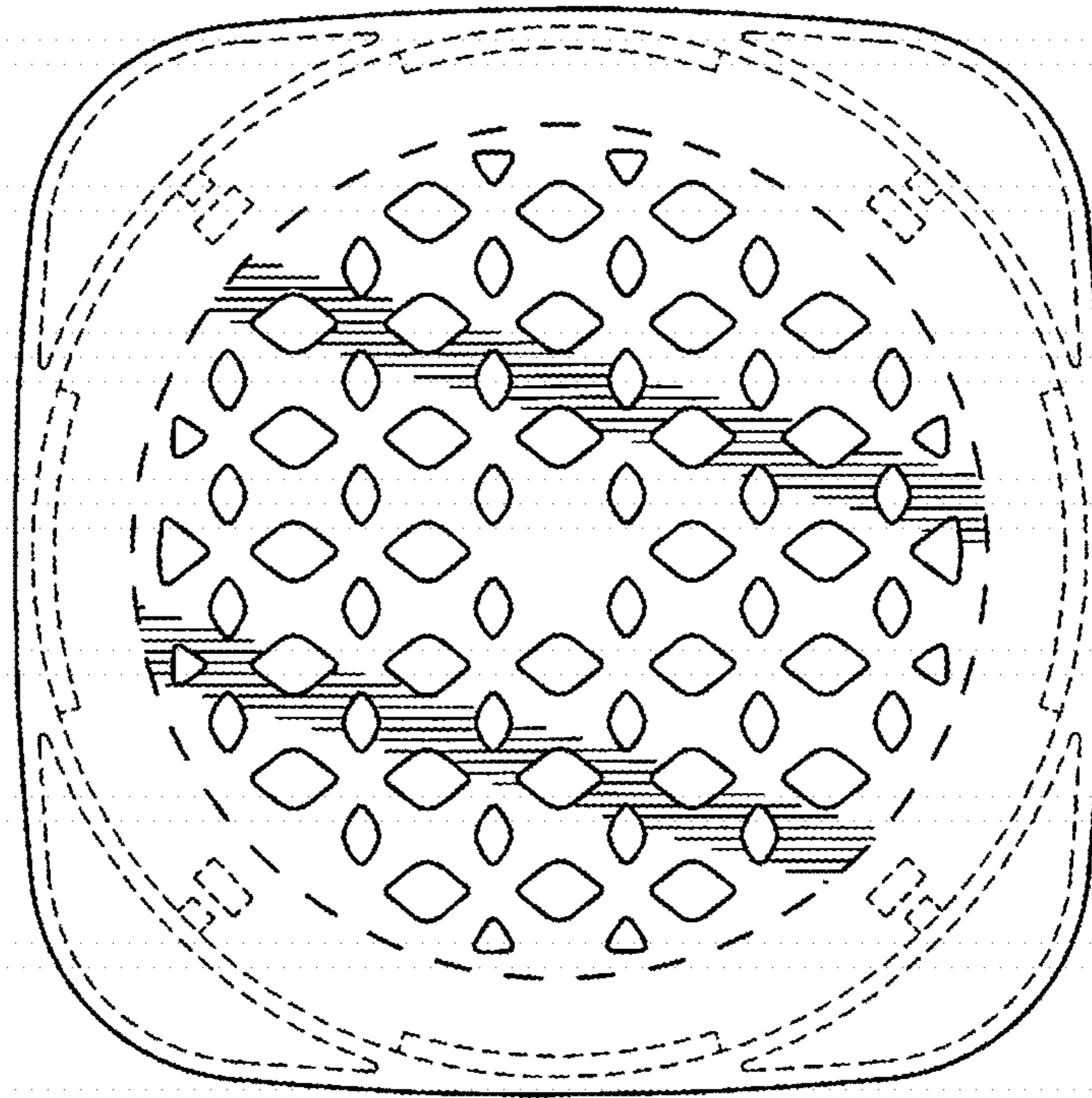


FIG. 3

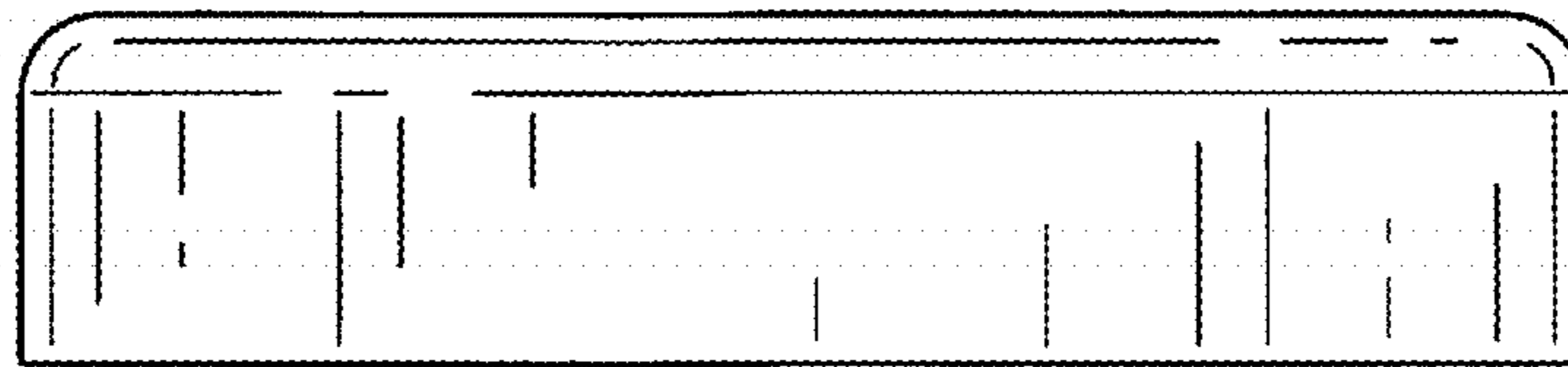


FIG. 4

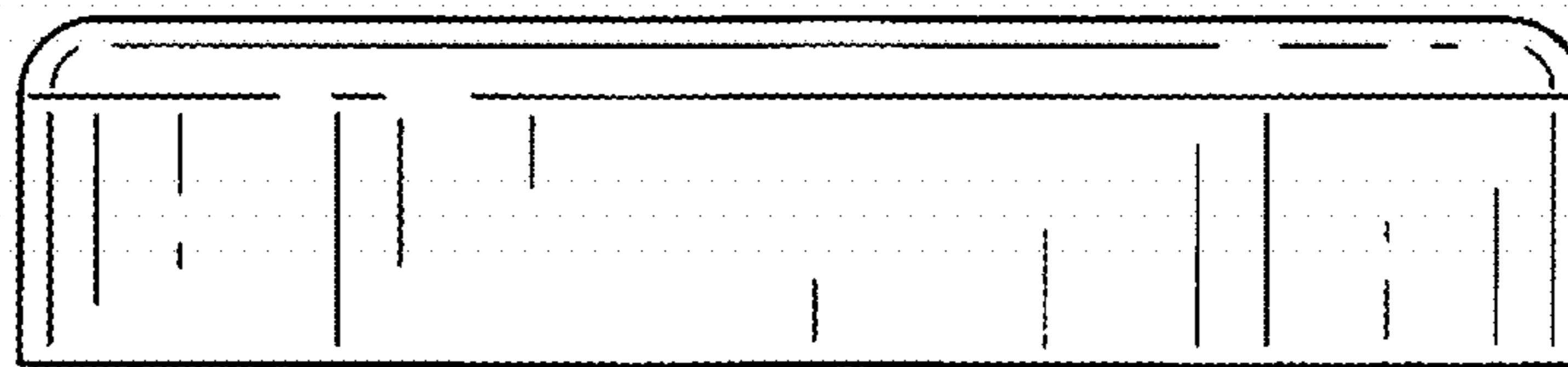


FIG. 5

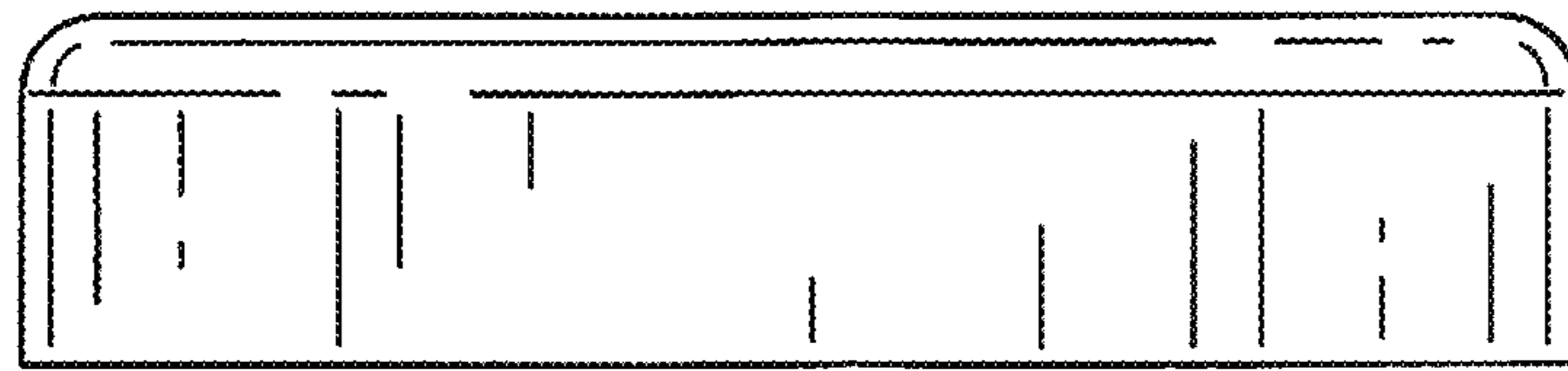


FIG. 6

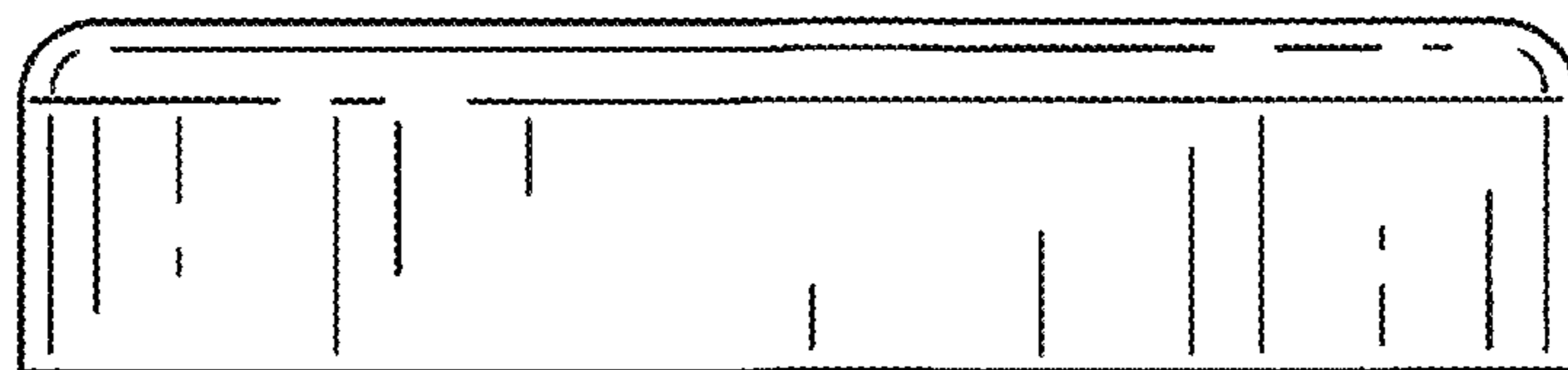


FIG. 7