



US00D888924S

(12) **United States Design Patent**
Gobber et al.

(10) **Patent No.:** **US D888,924 S**
(45) **Date of Patent:** **** Jun. 30, 2020**

- (54) **DIFFUSING EVAPORATOR OF ACTIVE SUBSTANCES**
- (71) Applicant: **ZOBELE HOLDING SPA**, Trento (IT)
- (72) Inventors: **Cedric Gobber**, Barcelona (ES);
Joaquim Llorente Alonso, Barcelona (ES)
- (73) Assignee: **ZOBELE HOLDING S.P.A.** (IT)
- (**) Term: **15 Years**
- (21) Appl. No.: **29/663,577**
- (22) Filed: **Sep. 17, 2018**
- (30) **Foreign Application Priority Data**
Mar. 19, 2018 (ES) 0528055
- (51) **LOC (12) Cl.** **23-04**
- (52) **U.S. Cl.**
USPC **D23/366**
- (58) **Field of Classification Search**
USPC D23/208, 355–369; D14/209.1, 212–213
CPC A61L 9/02; A61L 9/03; A61L 9/12; A61L 9/035; A61L 9/125
See application file for complete search history.

- D696,761 S * 12/2013 Jorgensen A61L 9/03
D23/366
- D696,892 S * 1/2014 Bretillot D23/366
- D716,432 S * 10/2014 Viala A61L 9/03
D23/366
- D720,063 S * 12/2014 Li D23/366
- D729,923 S * 5/2015 Chou D23/366
- D732,653 S * 6/2015 Hsiao D23/366
- D760,885 S * 7/2016 Lin D23/366
- D772,391 S * 11/2016 Zimmerli D23/366
- D795,408 S * 8/2017 Lin D23/366
- D807,999 S * 1/2018 Schuller A61L 9/03
D23/366
- D822,716 S * 7/2018 Mangum D14/496
- D828,534 S * 9/2018 Hu D23/366
- 2011/0049266 A1 * 3/2011 Jorgensen A61L 9/03
239/338

* cited by examiner

Primary Examiner — Sheryl Lane
Assistant Examiner — Calvin E Vansant
(74) *Attorney, Agent, or Firm* — Ostrolenk Faber LLP

(57) **CLAIM**

The ornamental design for a diffusing evaporator of active substances, as shown and described.

DESCRIPTION

FIG. 1 is a top, front and left side perspective illustration of an evaporator and air freshener, according to an aspect of our new design.

FIG. 2 is a front view illustration thereof.

FIG. 3 is a top view illustration thereof.

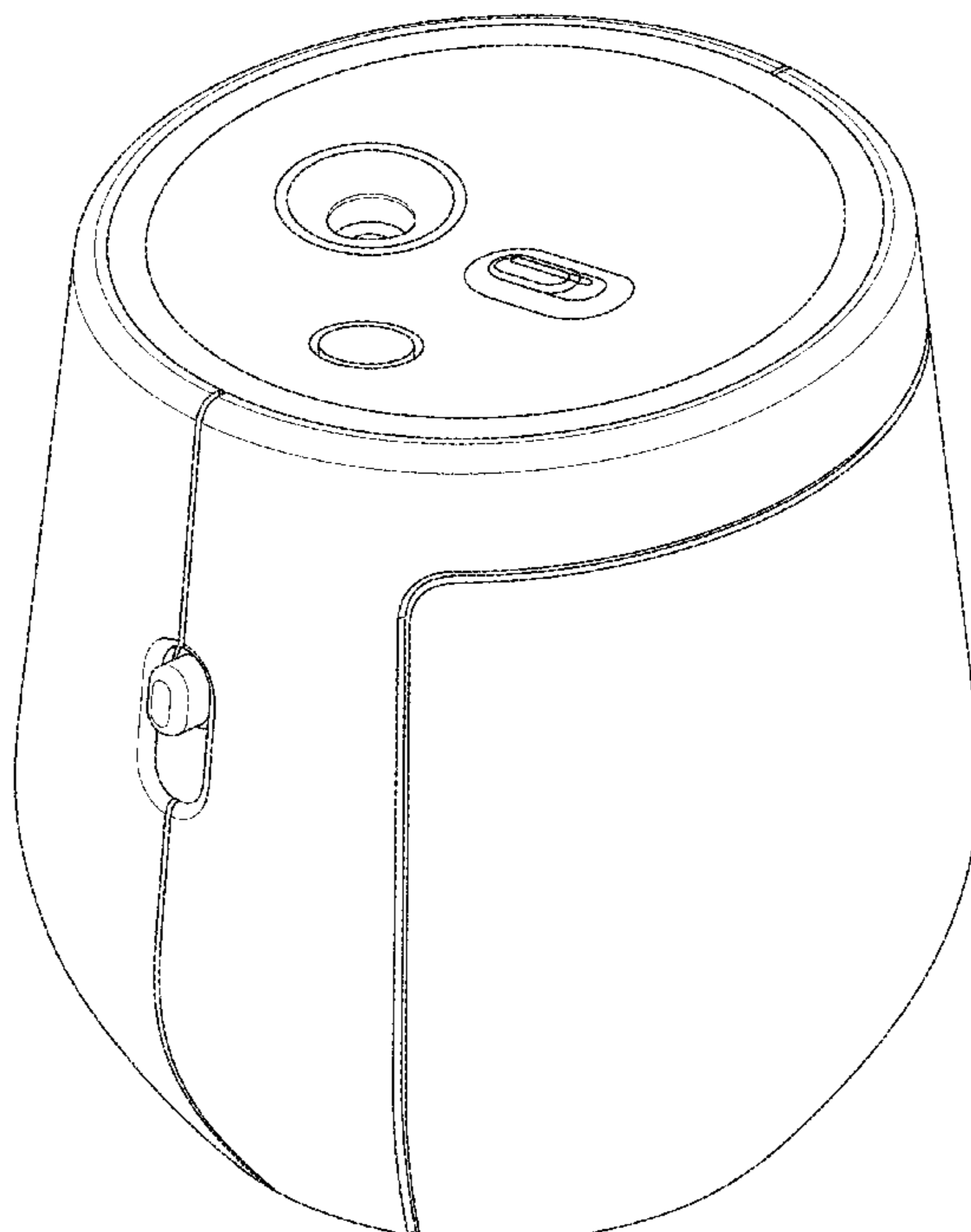
FIG. 4 is a left side view illustration thereof.

FIG. 5 is a bottom view illustration thereof; and,

FIG. 6 is a right side view illustration thereof.

1 Claim, 6 Drawing Sheets

- (56) **References Cited**
U.S. PATENT DOCUMENTS
D318,912 S * 8/1991 von Philipp D23/366
D547,850 S * 7/2007 Michaels D23/366
D613,844 S * 4/2010 Jorgensen D23/366
D620,576 S * 7/2010 Jorgensen D23/366
D692,547 S * 10/2013 Wirz D23/366



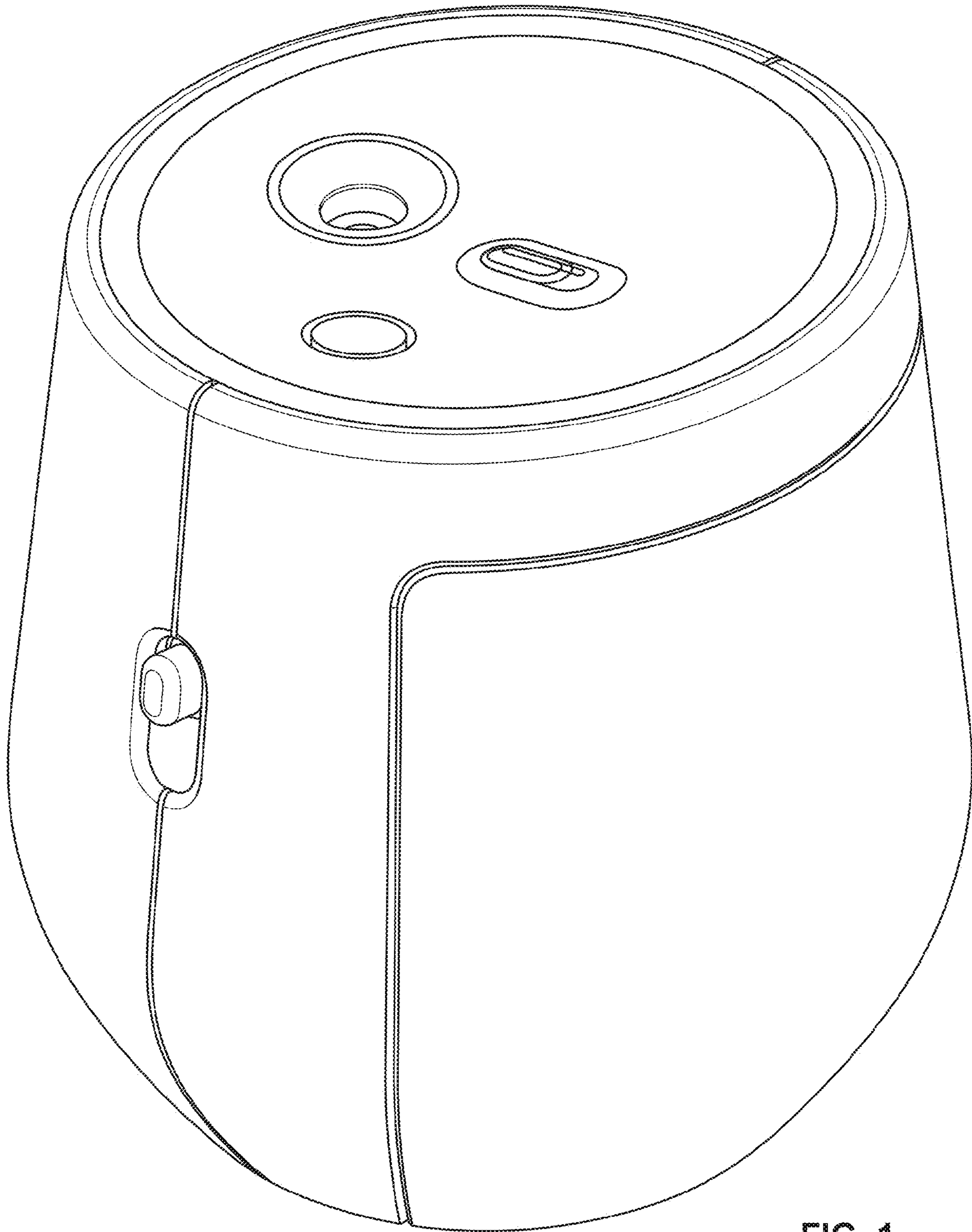


FIG. 1

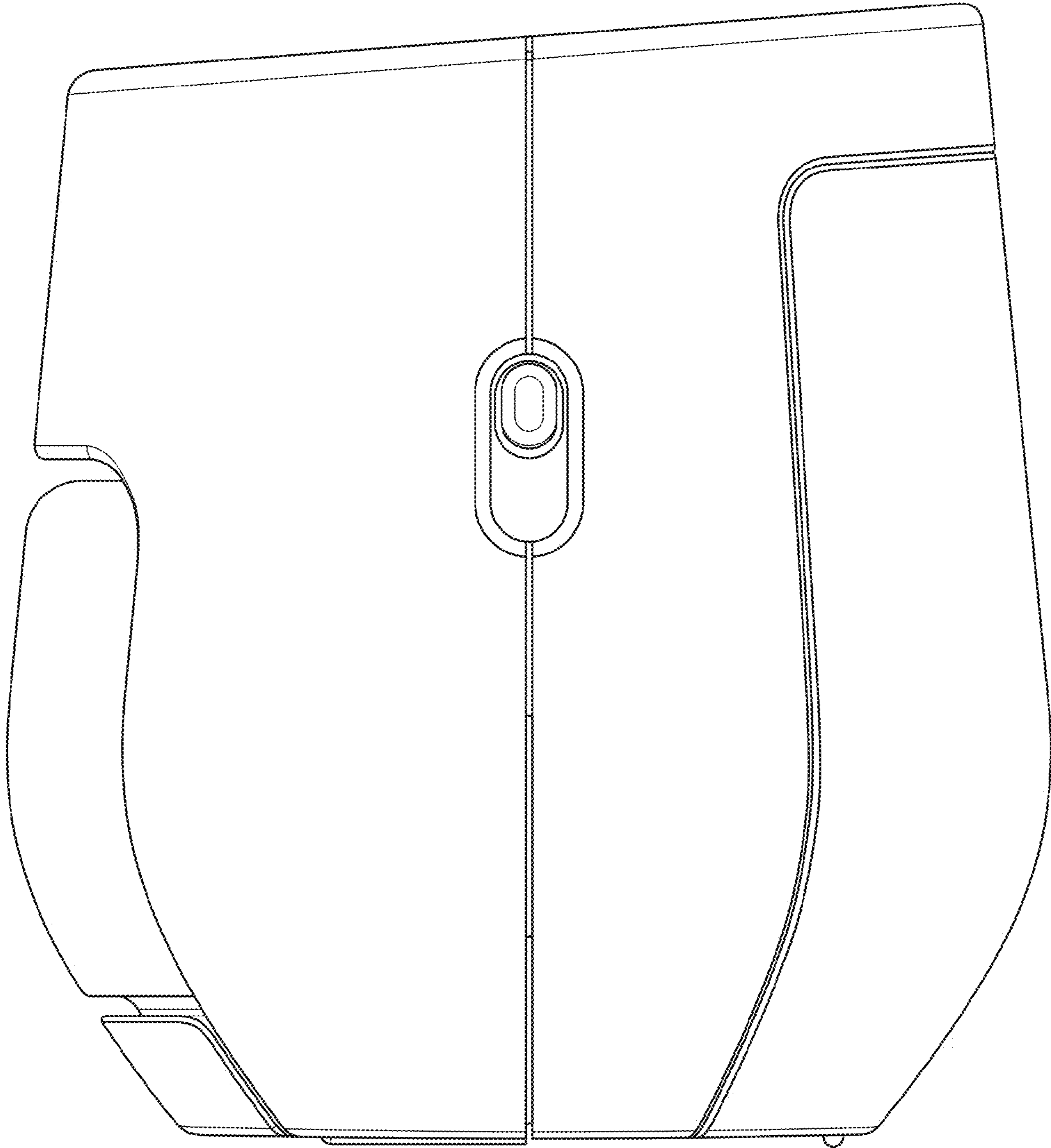


FIG. 2

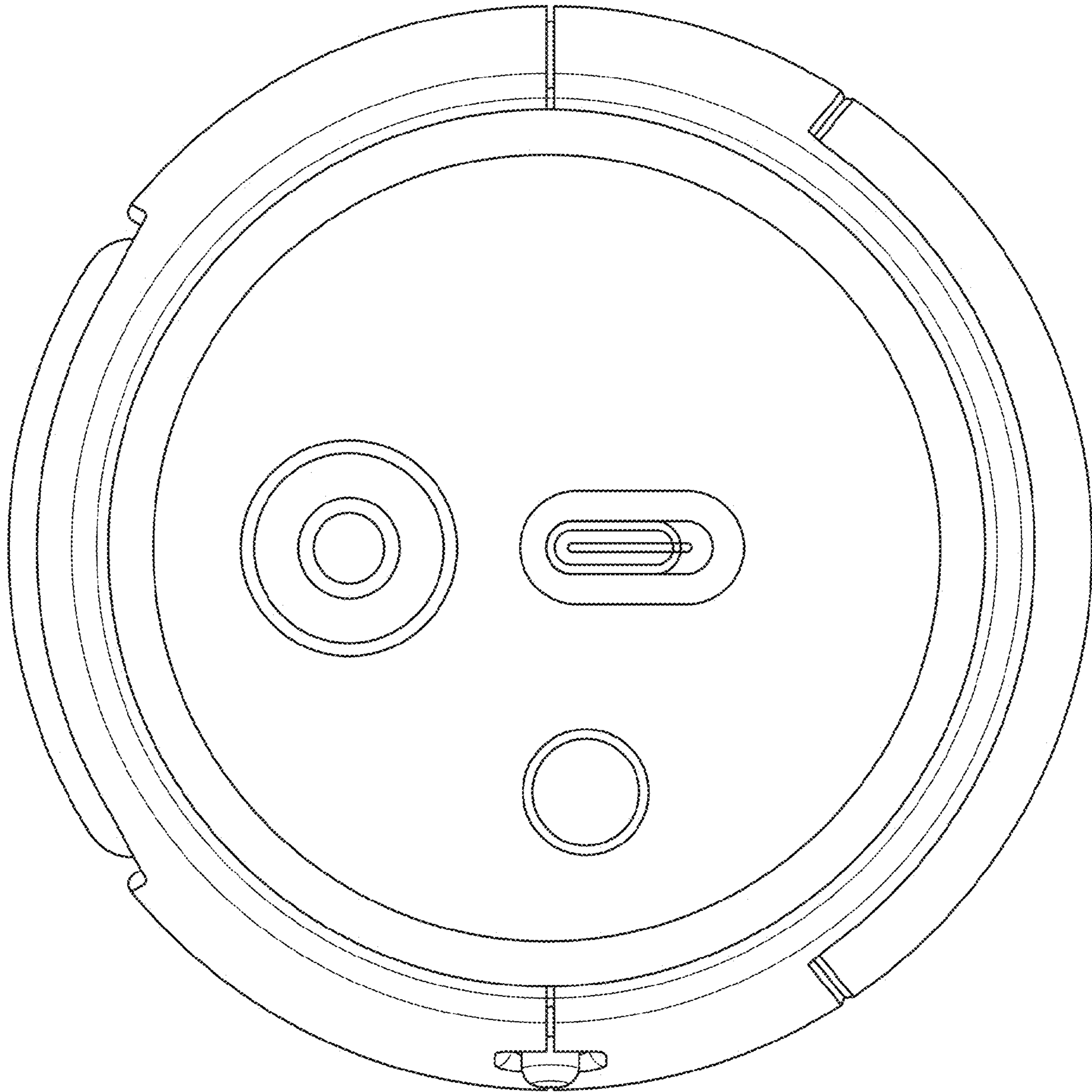


FIG. 3

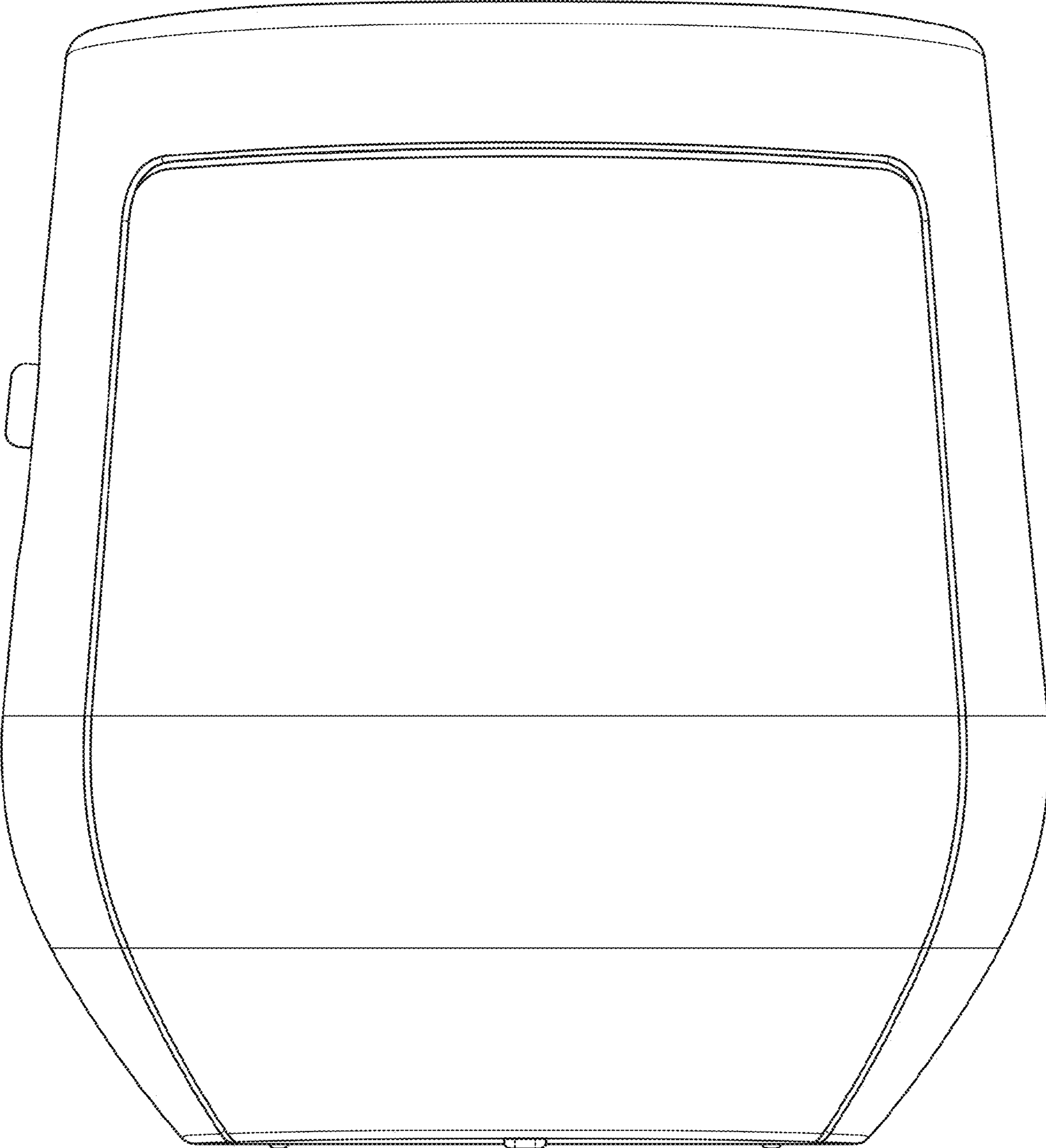


FIG. 4

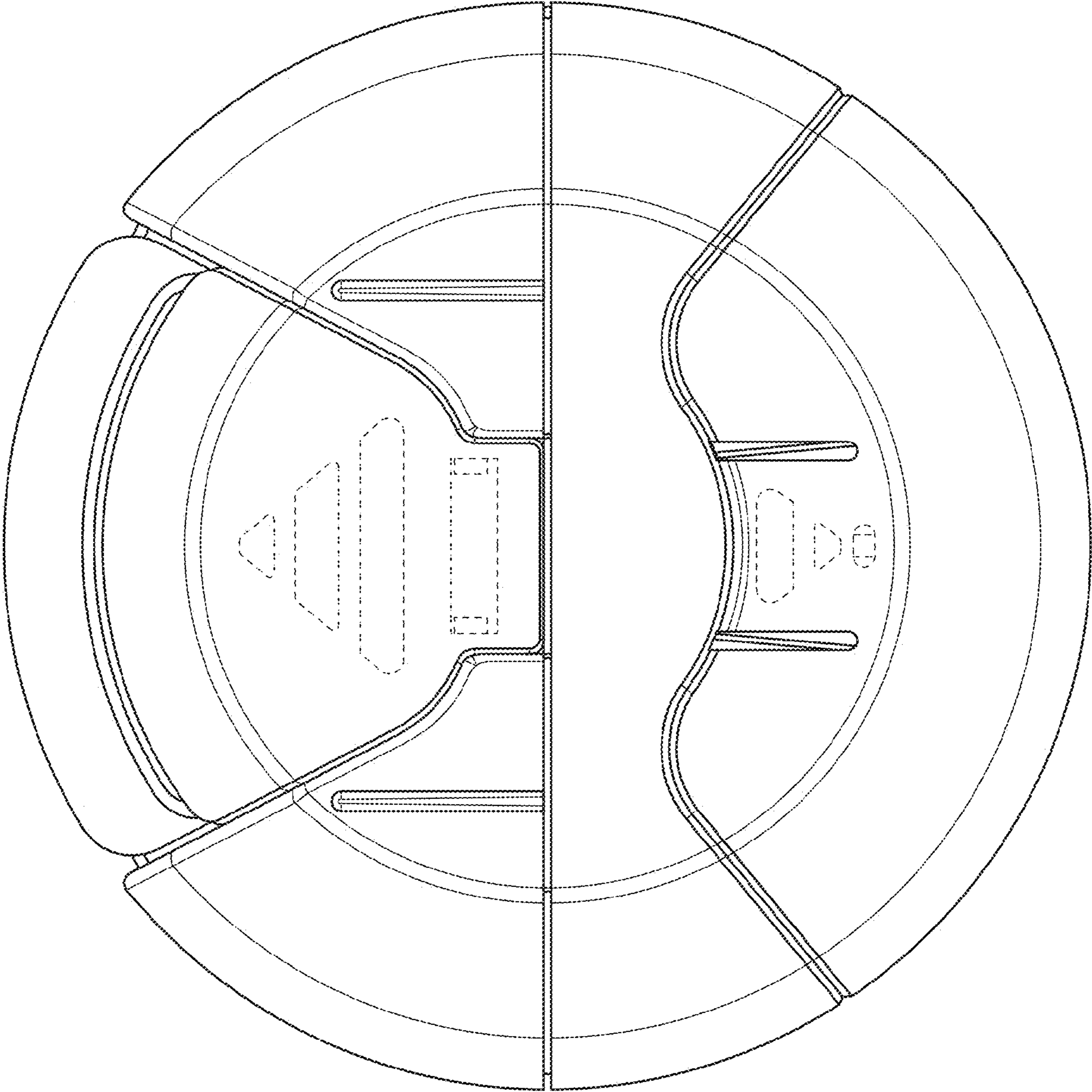


FIG. 5

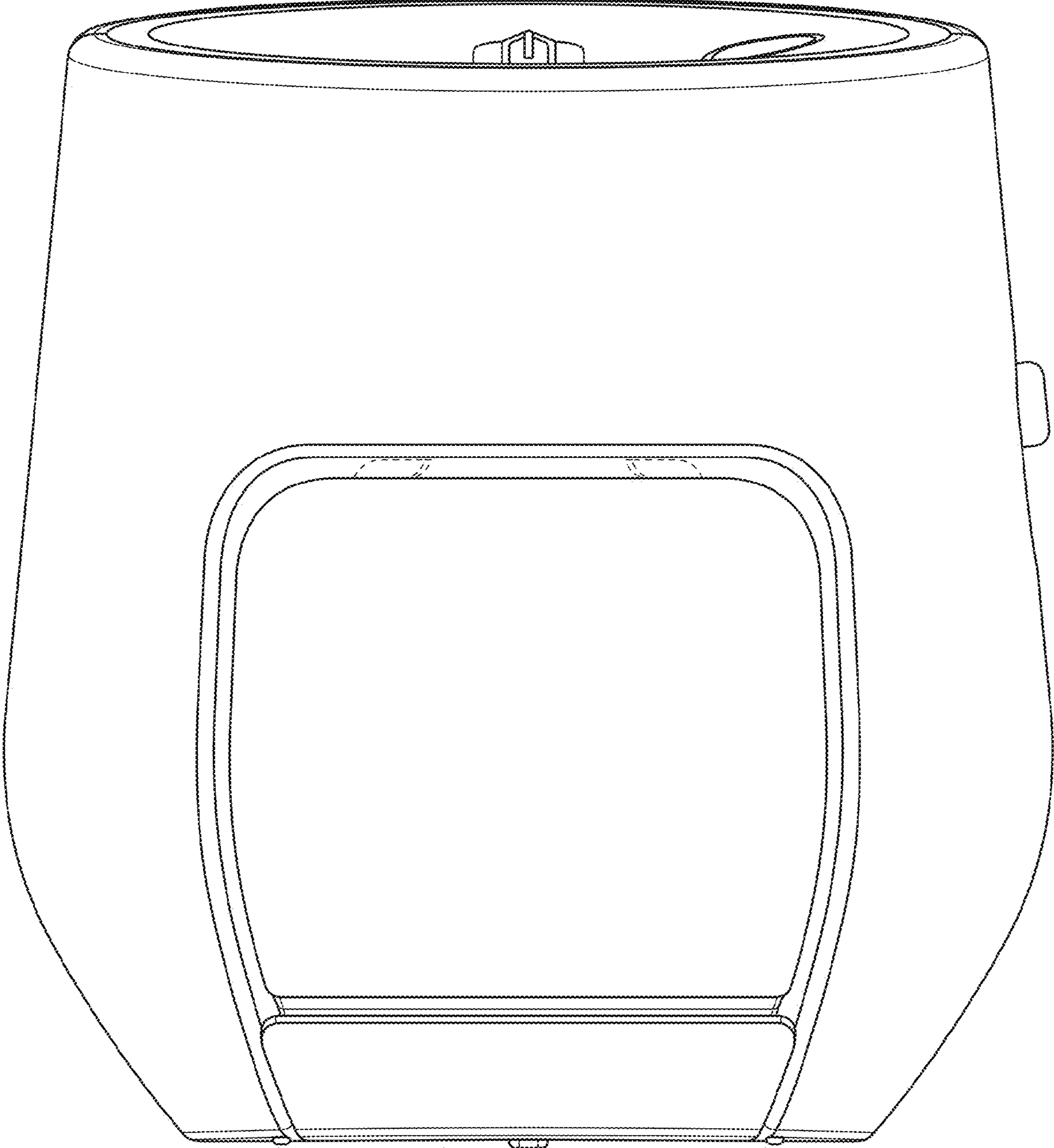


FIG. 6