



US00D888923S

(12) **United States Design Patent**  
**Zhong**

(10) **Patent No.:** **US D888,923 S**

(45) **Date of Patent:** **\*\* Jun. 30, 2020**

(54) **AIR PURIFIER**

(71) Applicant: **Xiamen Vork Health Industry Co., Ltd.**, Fujian (CN)

(72) Inventor: **Si Zhong**, Fujian (CN)

(\*\*) Term: **15 Years**

(21) Appl. No.: **29/699,511**

(22) Filed: **Jul. 26, 2019**

(30) **Foreign Application Priority Data**

Apr. 11, 2019 (CN) ..... 2019 3 0163821

(51) **LOC (12) Cl.** ..... **23-04**

(52) **U.S. Cl.**  
USPC ..... **D23/364**

(58) **Field of Classification Search**  
USPC ..... D23/355-366, 352, 369, 332, 333, 335,  
D23/336, 342, 351; 422/120, 122;  
55/356, 473, 504; 96/97; 261/DIG. 17,  
261/DIG. 65, DIG. 88, DIG. 31  
CPC .. A61L 9/16; A61L 9/22; B01D 47/00; B01D  
47/027; B01D 2221/02; B01D 2259/4508;  
B03C 3/155; B03C 3/368; F24F 3/16;  
F24F 13/20; F24F 13/28; F24F  
2001/0096

See application file for complete search history.

(56) **References Cited**

**U.S. PATENT DOCUMENTS**

D831,811 S \* 10/2018 Cho ..... D23/364  
D835,765 S \* 12/2018 Chen ..... D23/364

D835,766 S \* 12/2018 Chen ..... D23/364  
D836,760 S \* 12/2018 Fredang ..... D23/364  
D844,767 S \* 4/2019 Chen ..... D23/364  
D845,456 S \* 4/2019 Swanson ..... D23/359  
D852,344 S \* 6/2019 Hua ..... D23/364  
D854,134 S \* 7/2019 Jessup ..... D23/364  
D855,787 S \* 8/2019 Sakamoto ..... D23/370  
D865,149 S \* 10/2019 Lin ..... D23/364  
D870,870 S \* 12/2019 Copparstad ..... D23/351  
D873,401 S \* 1/2020 Chen ..... D23/364  
D877,874 S \* 3/2020 Liu ..... D23/364

\* cited by examiner

*Primary Examiner* — David G Muller

(74) *Attorney, Agent, or Firm* — Prakash Nama; Global IP Services, PLLC

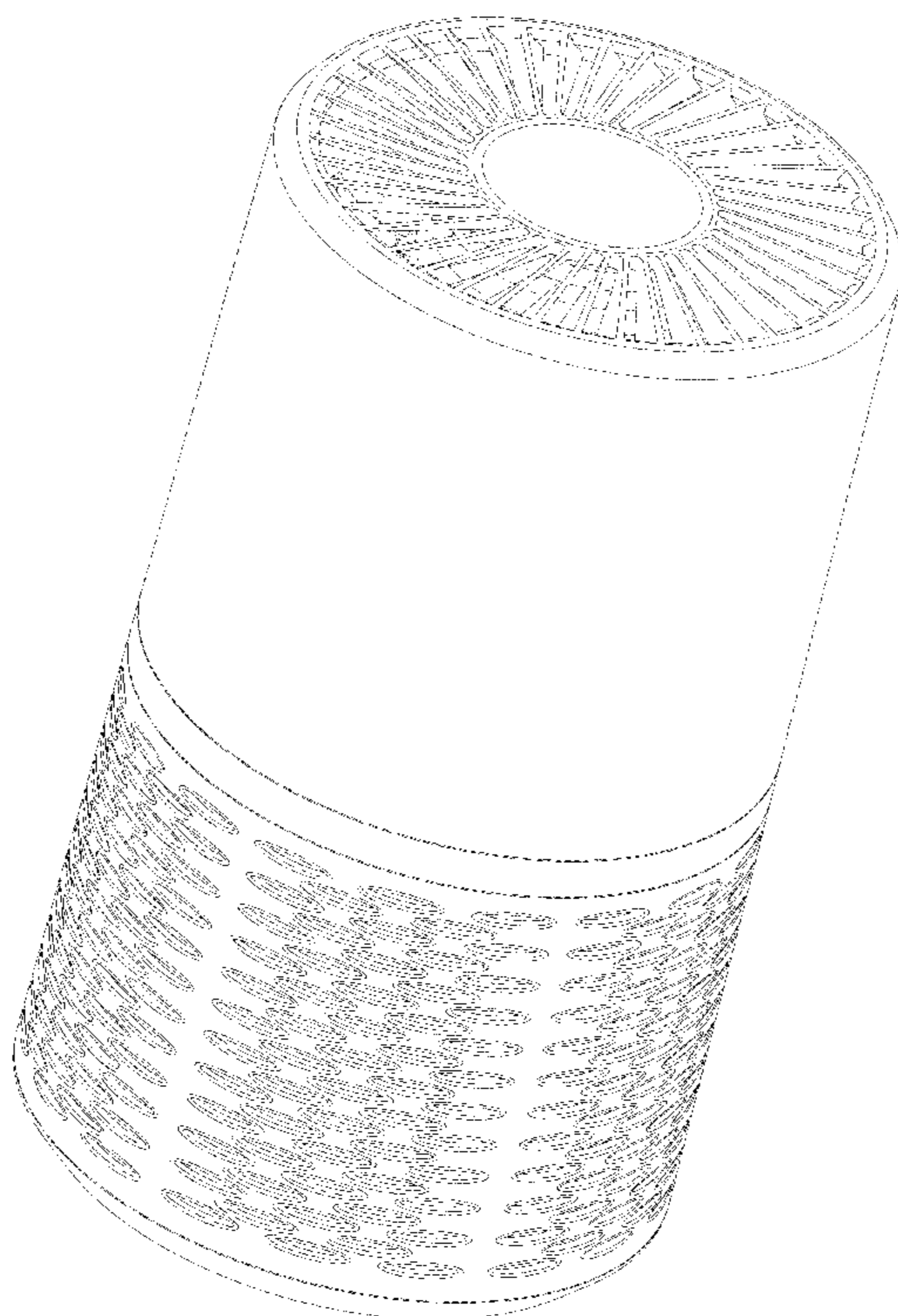
(57) **CLAIM**

The ornamental design for an air purifier, as shown and described.

**DESCRIPTION**

FIG. 1 is a front elevational view of an air purifier showing my new design;  
FIG. 2 is a rear elevational view thereof;  
FIG. 3 is a left side view thereof;  
FIG. 4 is a right side view thereof;  
FIG. 5 is a top plan view thereof;  
FIG. 6 is a bottom plan view thereof;  
FIG. 7 is a perspective view thereof; and,  
FIG. 8 is another perspective view thereof.  
The broken lines shown in air purifier form no part of the claimed design.

**1 Claim, 8 Drawing Sheets**



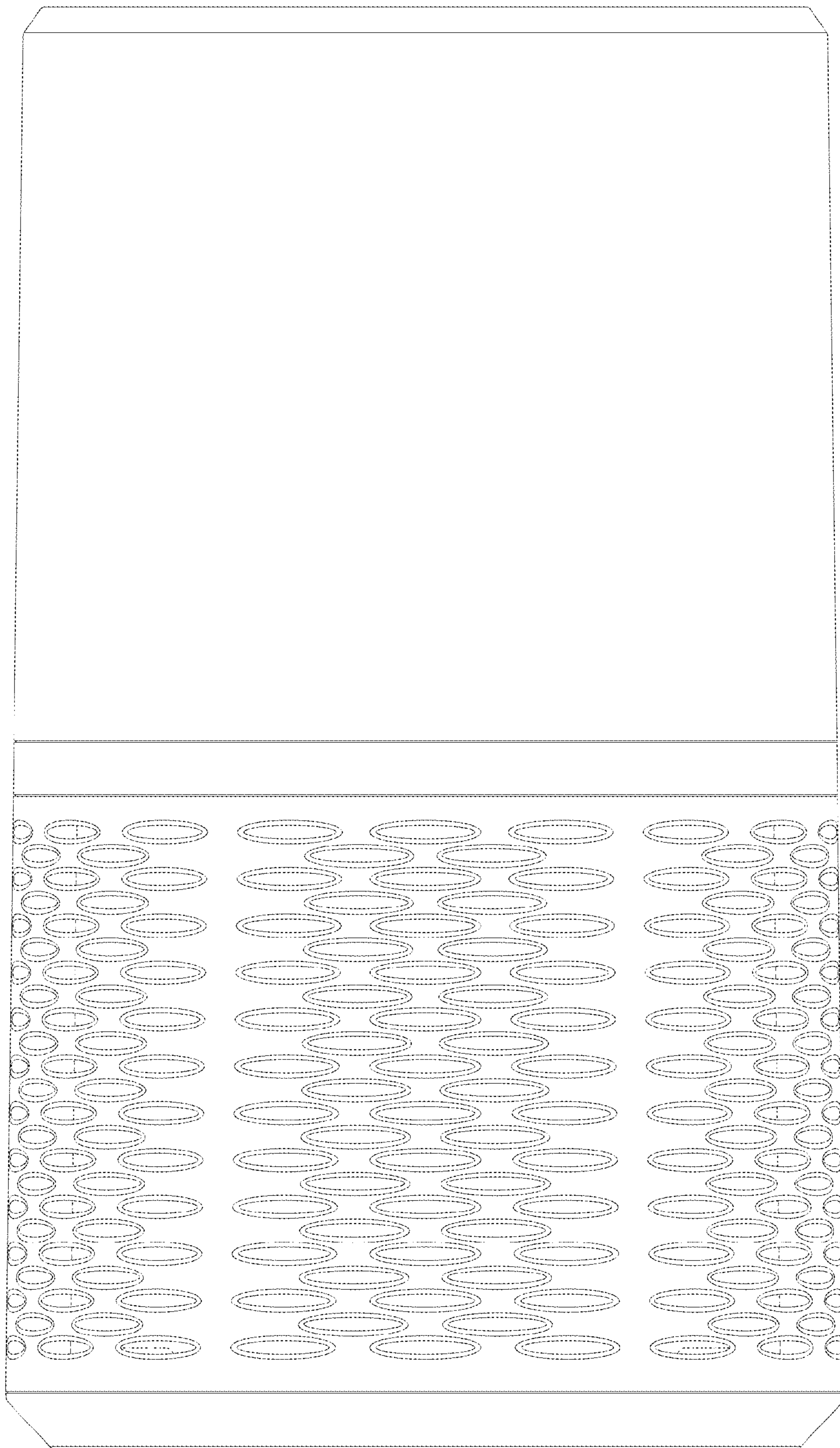


FIG. 1

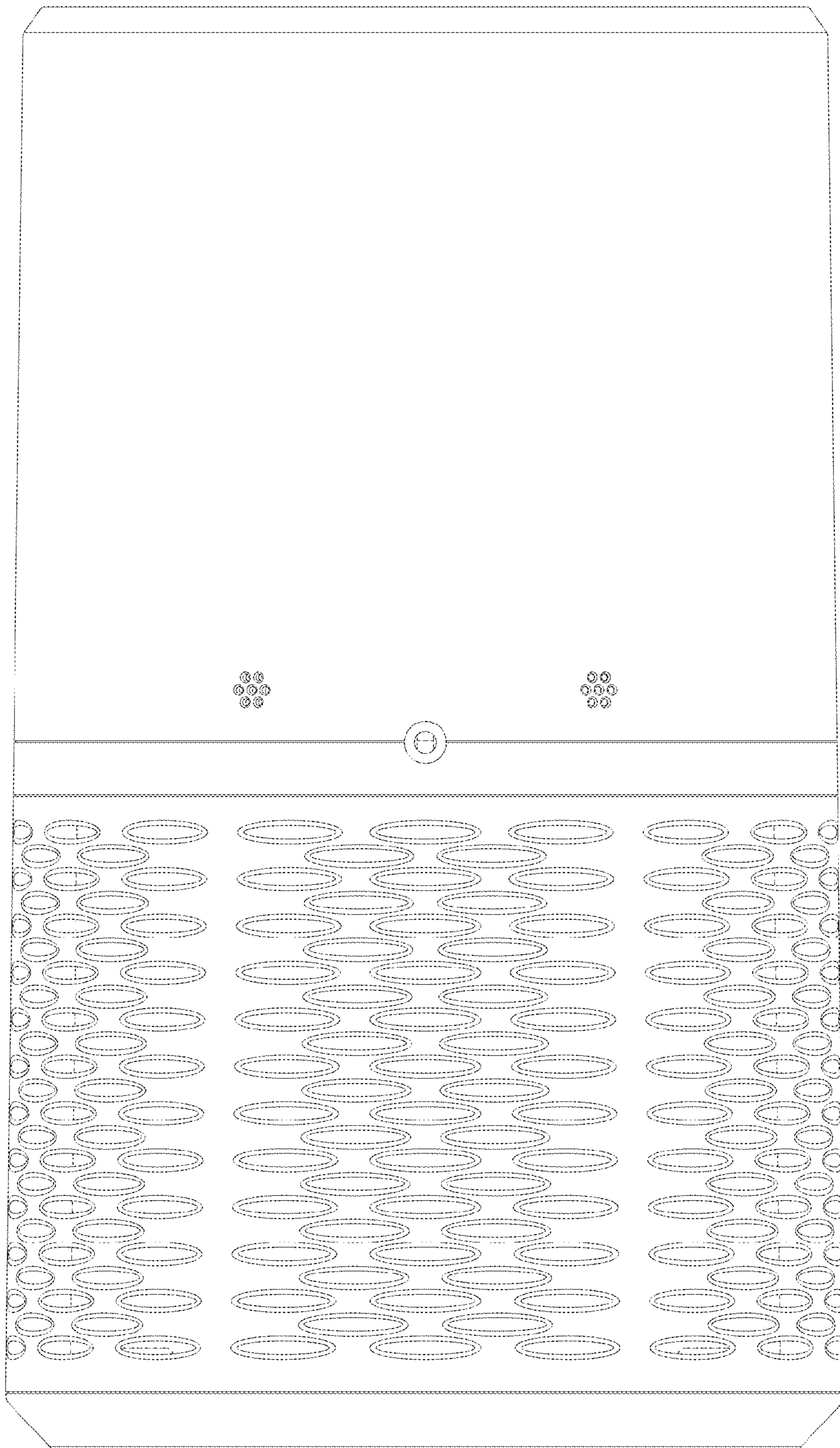


FIG. 2

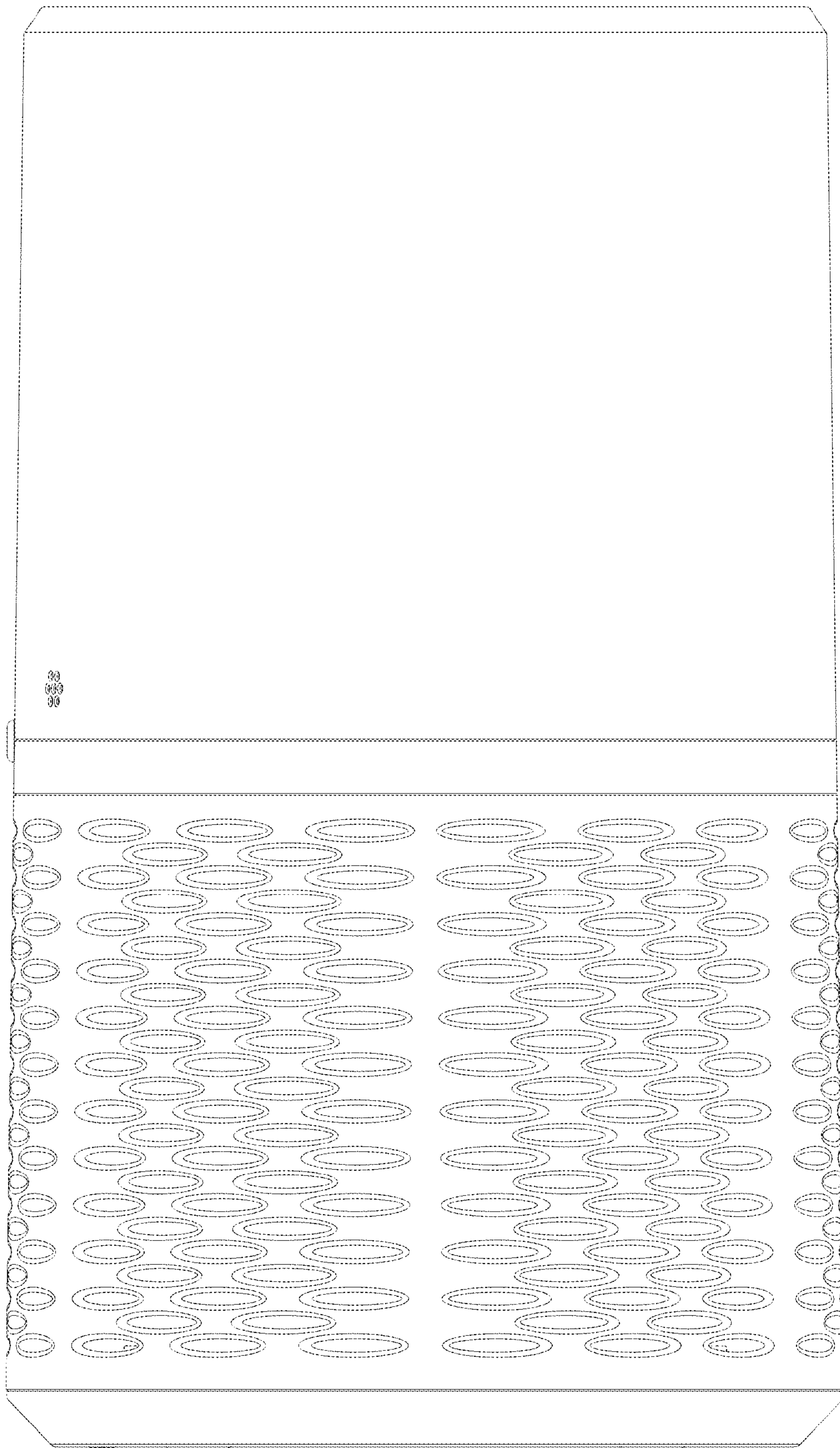


FIG. 3

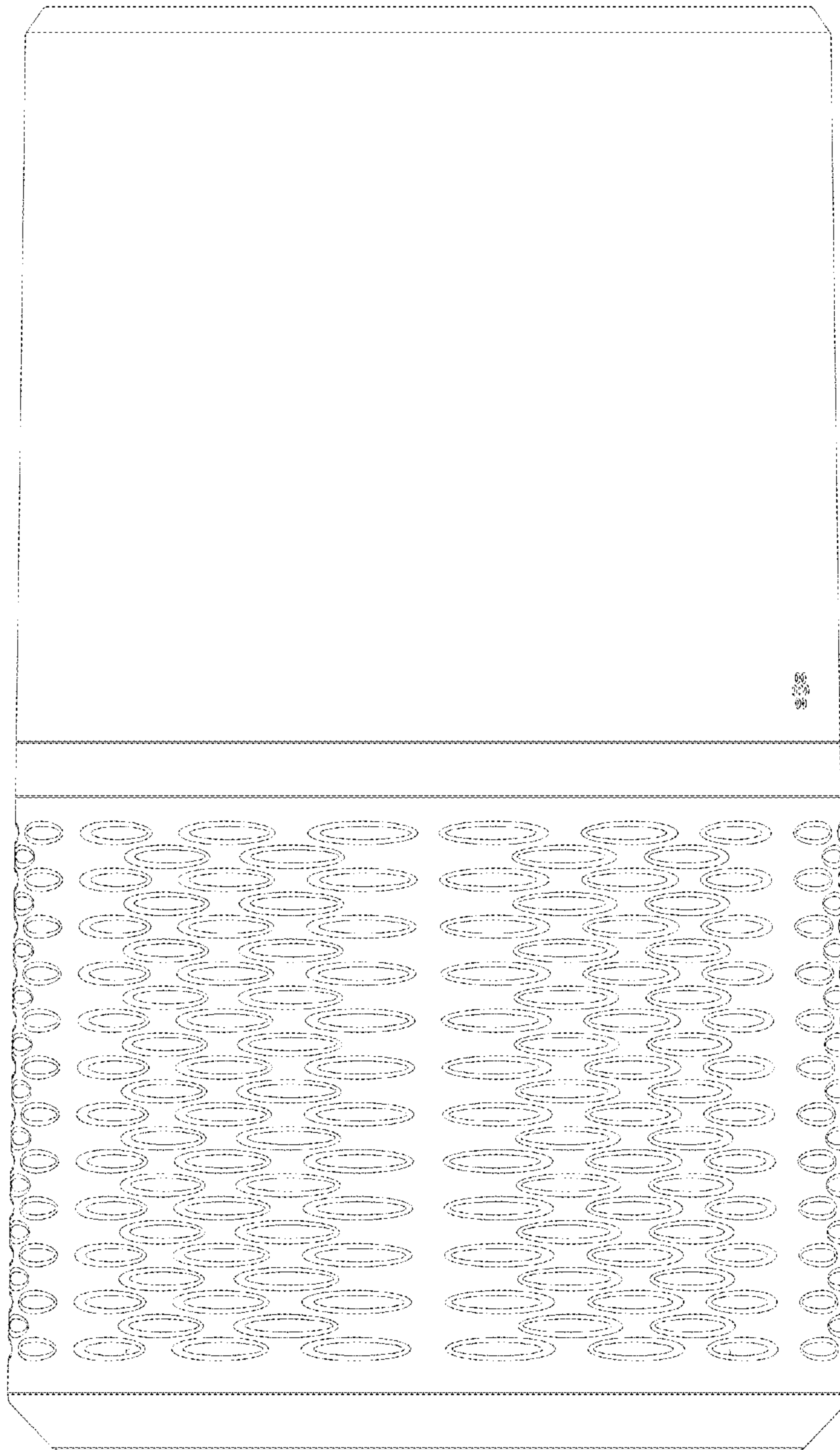


FIG. 4

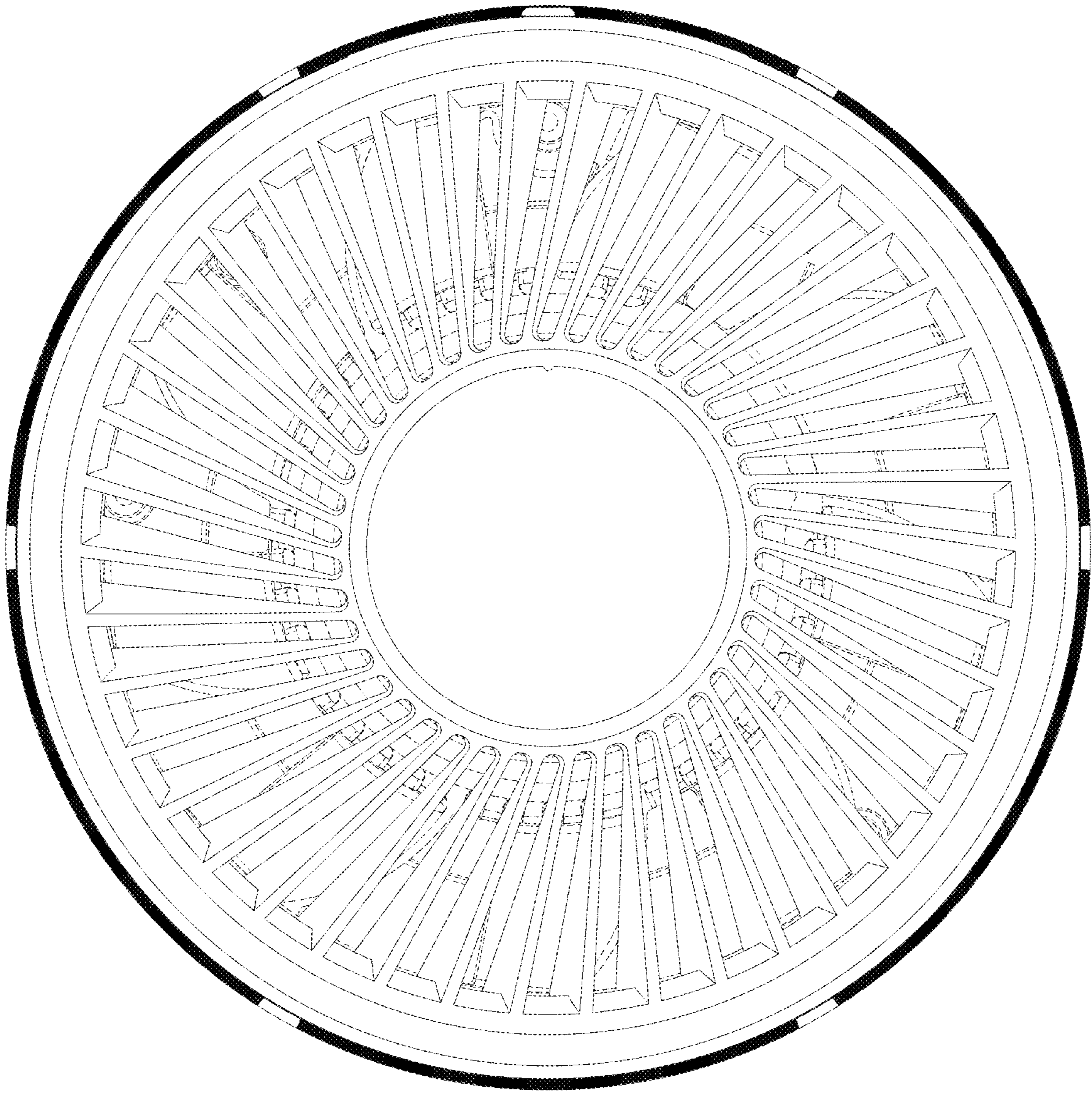


FIG. 5

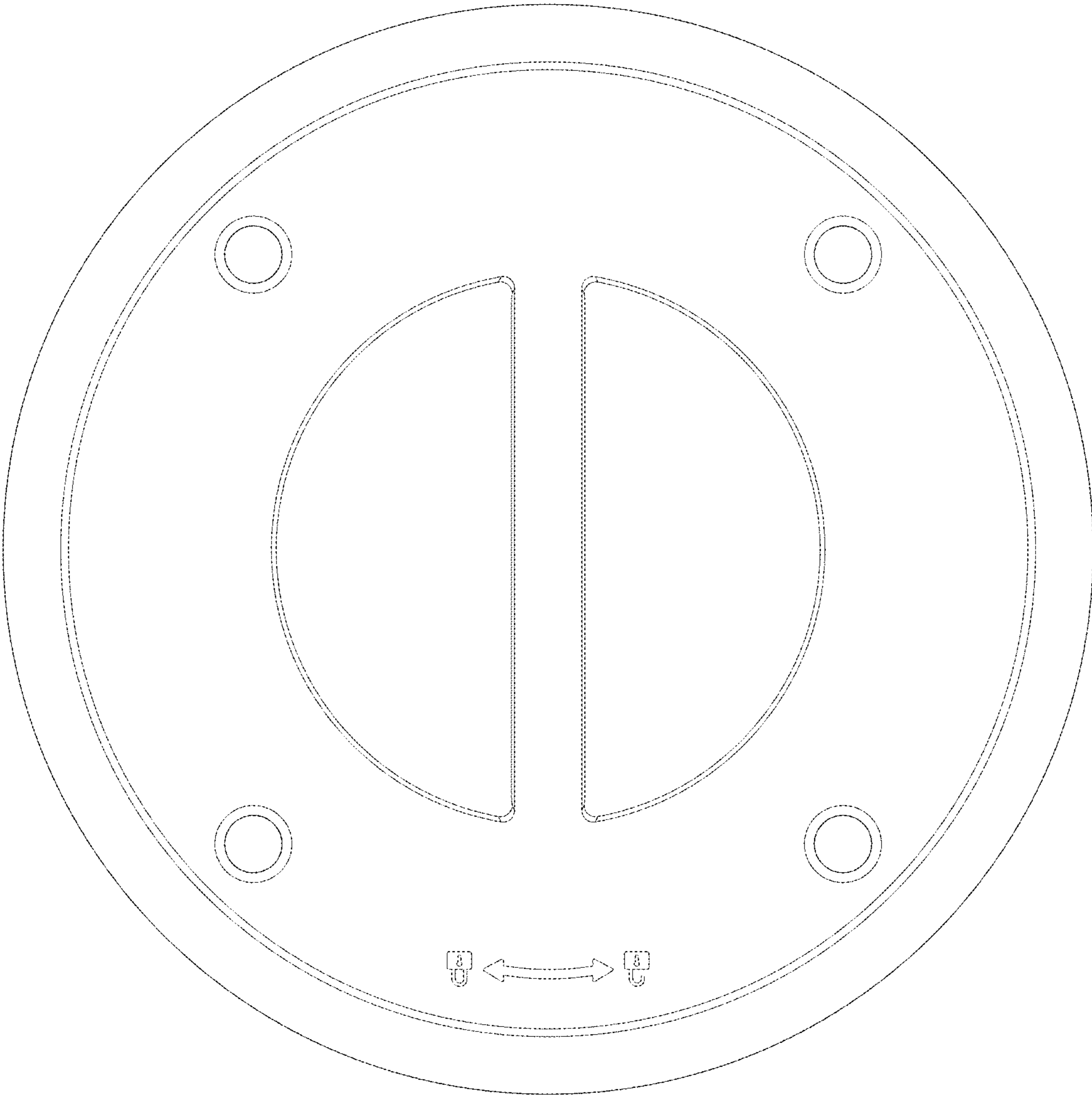


FIG. 6

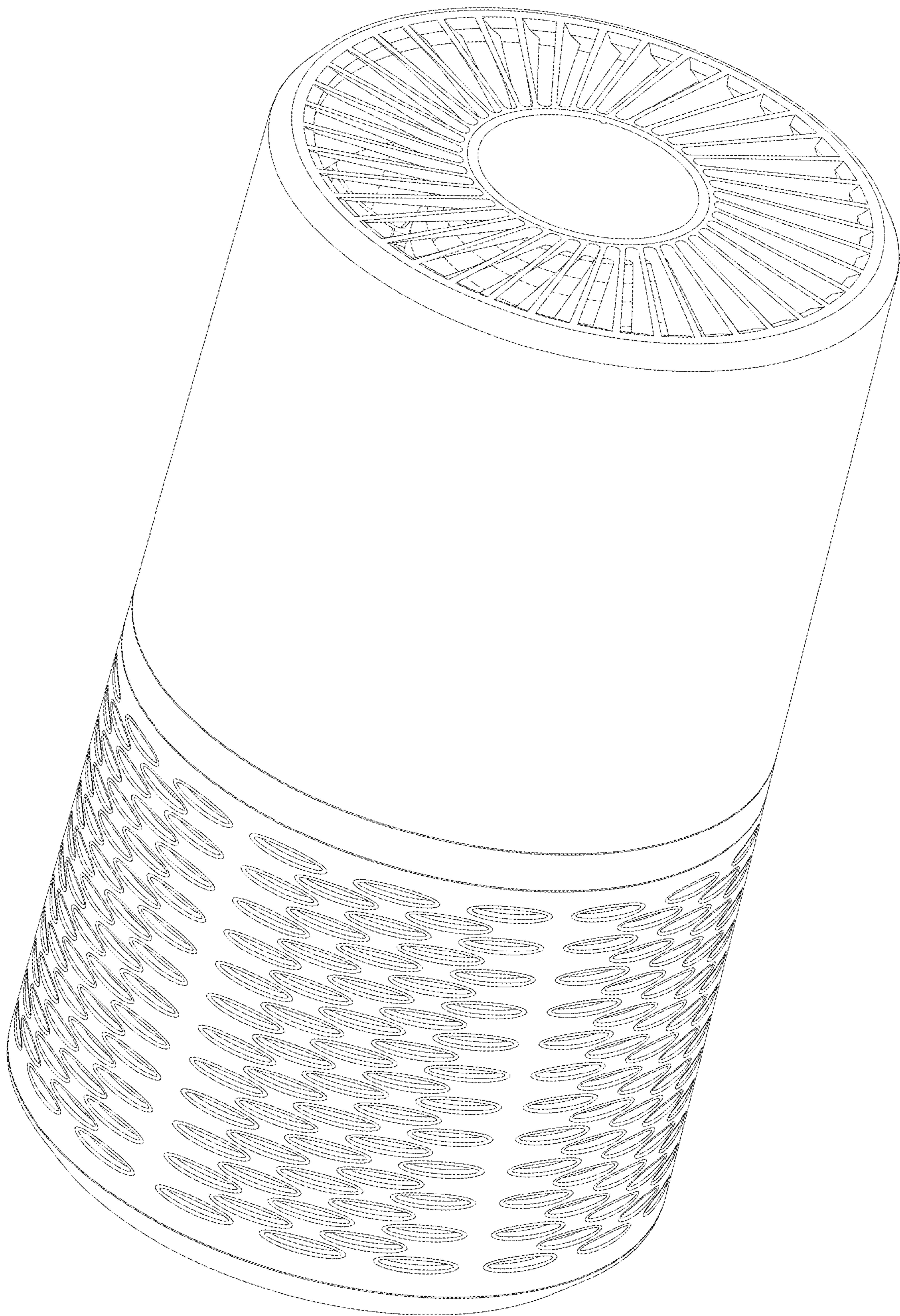


FIG. 7



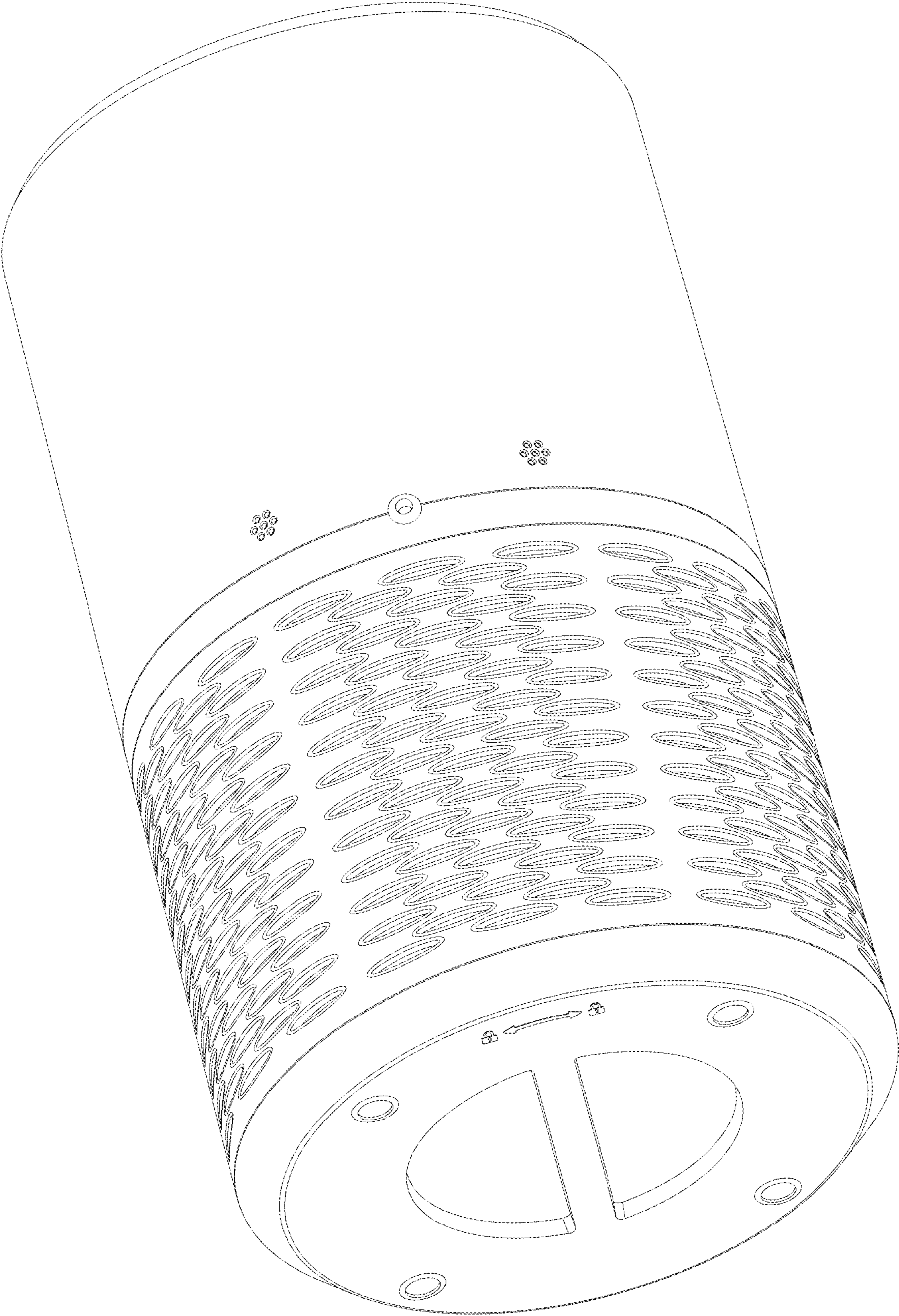


FIG. 8