



US00D888919S

(12) **United States Design Patent** (10) **Patent No.:** **US D888,919 S**
Riering-Czekalla et al. (45) **Date of Patent:** **** *Jun. 30, 2020**

(54) **AIR PURIFIER**

- (71) Applicant: **Molekule, Inc.**, San Francisco, CA (US)
- (72) Inventors: **Peter Riering-Czekalla**, San Francisco, CA (US); **David Sanabria**, San Francisco, CA (US); **Jaya Rao**, San Francisco, CA (US); **Dilip Goswami**, San Francisco, CA (US); **Ryan Vinyard**, San Francisco, CA (US)
- (73) Assignee: **Molekule, Inc.**, San Francisco, CA (US)
- (*) Notice: This patent is subject to a terminal disclaimer.
- (**) Term: **15 Years**
- (21) Appl. No.: **29/660,435**
- (22) Filed: **Aug. 21, 2018**

Related U.S. Application Data

- (63) Continuation of application No. 29/604,972, filed on May 22, 2017, now Pat. No. Des. 829,312.
 - (51) **LOC (12) Cl.** **23-04**
 - (52) **U.S. Cl.**
USPC **D23/364**
 - (58) **Field of Classification Search**
USPC D23/314, 325, 333-336, 355-367, D23/386-388; D9/434, 439, 444, 445, D9/447, 452-454, 560, 686; D14/209, D14/215, 216; D28/7; D13/103, 183; D7/624.2
CPC . A61L 9/03; A61L 9/012; A61L 9/015; A61L 9/037; F41J 1/01
- See application file for complete search history.

(56) **References Cited**

U.S. PATENT DOCUMENTS

- 4,896,590 A 1/1990 Groos
 - D328,946 S 8/1992 Havrilla
 - D360,635 S 7/1995 Mark
- (Continued)

OTHER PUBLICATIONS

Molekule Air Purifier found online—[Feb. 22, 2018]—https://molekule.com/?utm_source=google_search&utm_medium=rt&utm_campaign=brand&utm_term=molekule&utm_content=bmm_2&gclid=EALalQobChM15ufdtbK62Q1ViYjICh3d8gvIEAAYASAAEgJcdPD_BwE.*

(Continued)

Primary Examiner — Lakiya G Rogers
Assistant Examiner — John A Voytek
(74) *Attorney, Agent, or Firm* — Jeffrey Schox; Diana Lin

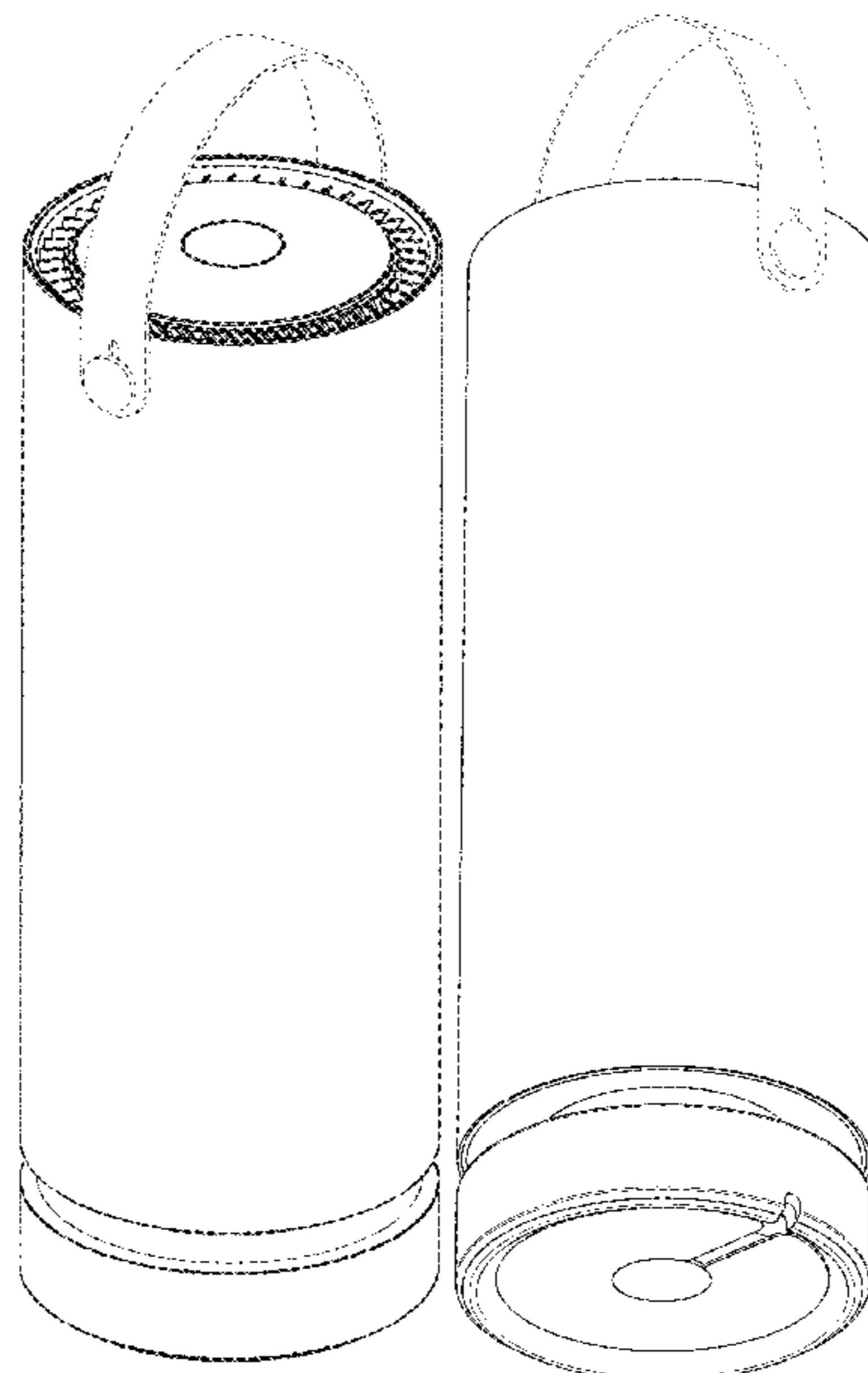
(57) **CLAIM**

We claim the ornamental design for an air purifier, as shown and described.

DESCRIPTION

FIG. 1 is an isometric view from the top right of the air purifier.
FIG. 2 is an isometric view from the bottom left of the air purifier.
FIG. 3 is an elevation view from the front of the air purifier.
FIG. 4 is an elevation view from the back of the air purifier.
FIG. 5 is an elevation view from the right side of the air purifier.
FIG. 6 is an elevation view from the left side of the air purifier.
FIG. 7 is a plan view from the top of the air purifier.
FIG. 8 is a plan view from the bottom of the air purifier; and, FIG. 9 is a cross sectional elevation view of the air purifier. In the drawings, the broken lines depict environmental subject matter only and form no part of the claimed design.

1 Claim, 8 Drawing Sheets



(56)

References Cited

U.S. PATENT DOCUMENTS

D362,441 S 9/1995 Mark
 D400,663 S 11/1998 Furlough
 5,922,093 A 7/1999 James et al.
 D493,874 S 8/2004 Woods
 D505,999 S 6/2005 Song
 D552,724 S 10/2007 Chen
 D611,579 S 3/2010 Zlotnik et al.
 D648,429 S 11/2011 Choi et al.
 D652,408 S 1/2012 Chen
 D687,017 S 7/2013 Ashcraft et al.
 D697,496 S 1/2014 Ashcraft et al.
 D710,329 S 8/2014 Holzer
 D716,427 S 10/2014 Lim et al.
 D717,420 S 11/2014 Von Seggern
 D744,541 S 12/2015 Langhammer et al.
 D752,732 S 3/2016 Ansley et al.
 D754,832 S 4/2016 Seo et al.
 D766,213 S 9/2016 Hinokio
 D768,844 S 10/2016 Koseoglu et al.
 D773,704 S 12/2016 Pardo et al.
 D774,020 S 12/2016 Hinokio
 D796,019 S 8/2017 Thompson
 D802,022 S 11/2017 Yao et al.
 D803,369 S 11/2017 Kim et al.
 D803,810 S 11/2017 Lee et al.
 D804,002 S 11/2017 Huang

D805,622 S * 12/2017 Lee D23/364
 D806,843 S 1/2018 McDonnell
 D807,327 S 1/2018 Xiong
 D808,927 S 1/2018 Schaal et al.
 D810,049 S 2/2018 Lee et al.
 D810,135 S 2/2018 Langhammer et al.
 D810,137 S 2/2018 Tsang et al.
 D810,265 S 2/2018 Chen
 D810,266 S 2/2018 Li
 D818,097 S * 5/2018 Cho D23/364
 D828,912 S * 9/2018 Powell D23/366
 D829,312 S * 9/2018 Riering-Czekalla D23/364
 D829,314 S * 9/2018 Cho D23/364
 D831,810 S * 10/2018 Cho D23/364
 D831,811 S * 10/2018 Cho D23/364
 D832,414 S * 10/2018 Sharma D23/364
 D834,694 S * 11/2018 Walter D23/366
 D835,766 S * 12/2018 Chen D23/364
 D836,760 S * 12/2018 Fredang D23/364
 2009/0229478 A1 9/2009 Wu
 2014/0290489 A1 10/2014 Uemura et al.
 2017/0122605 A1* 5/2017 Lee F24F 3/16
 2017/0321717 A1* 11/2017 Park F24F 11/89

OTHER PUBLICATIONS

Molekule Air Purifier found online—[Feb. 22, 2018]—<https://molekule.com/>.

* cited by examiner

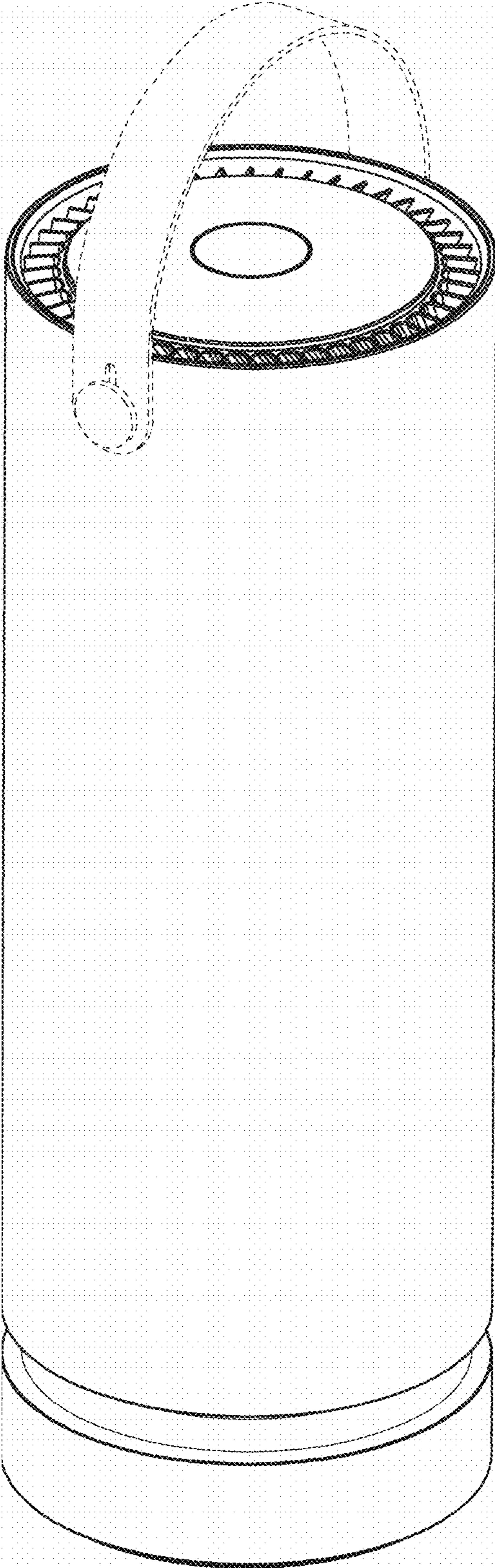


FIG. 1

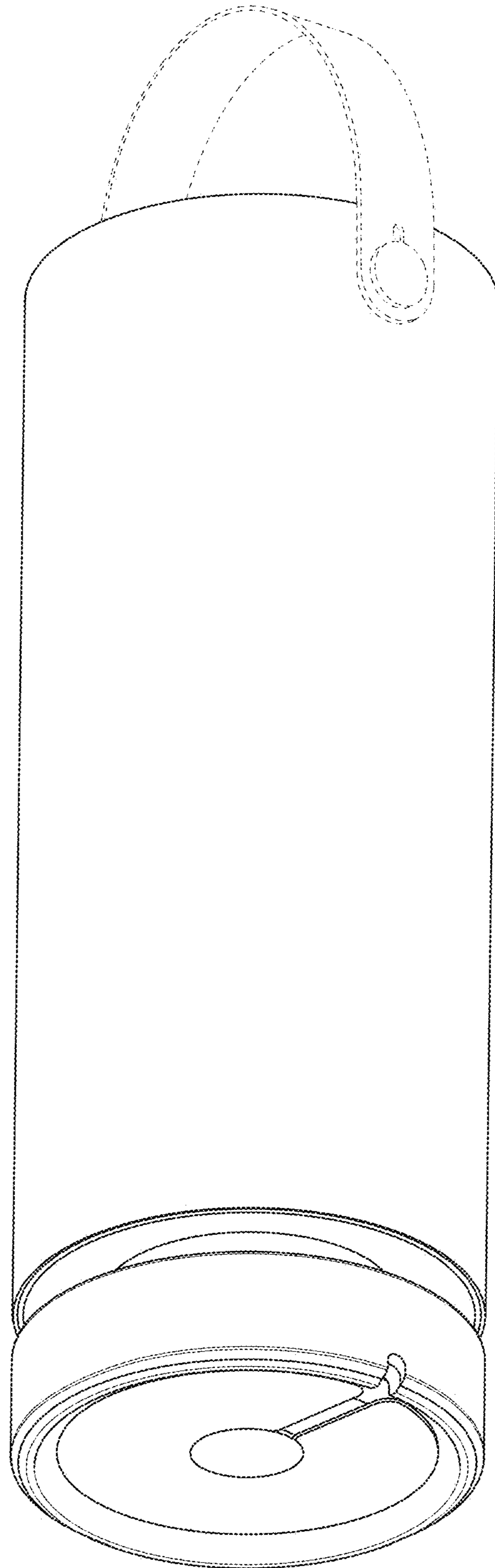


FIG. 2

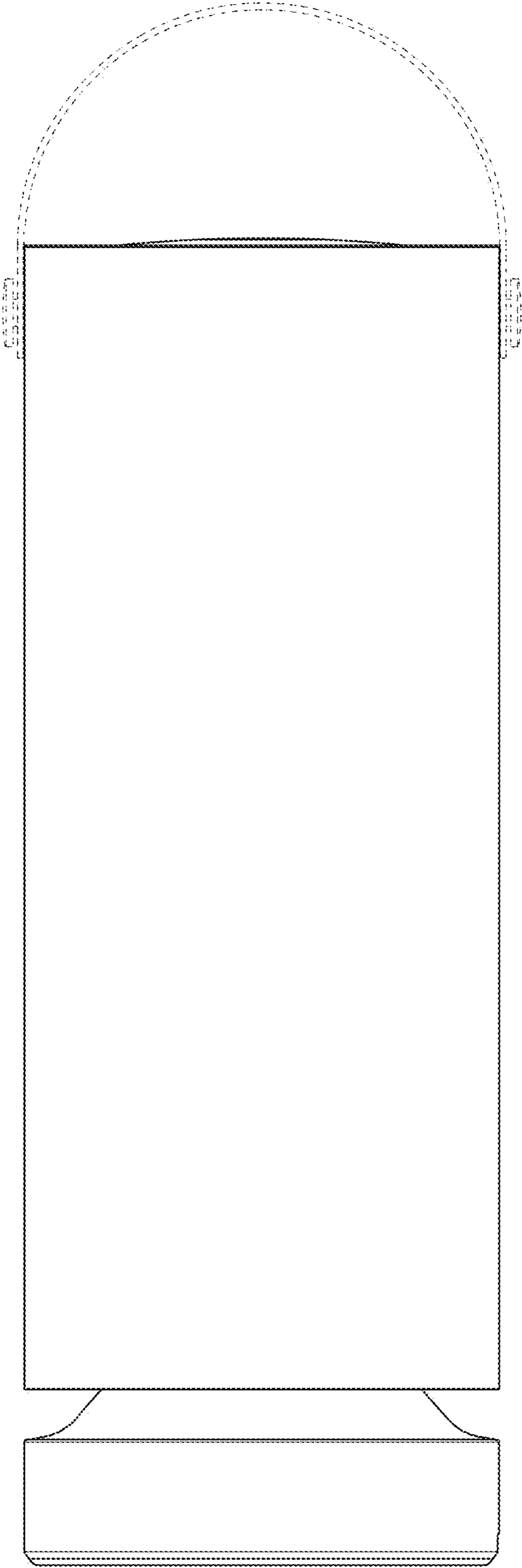


FIG. 3

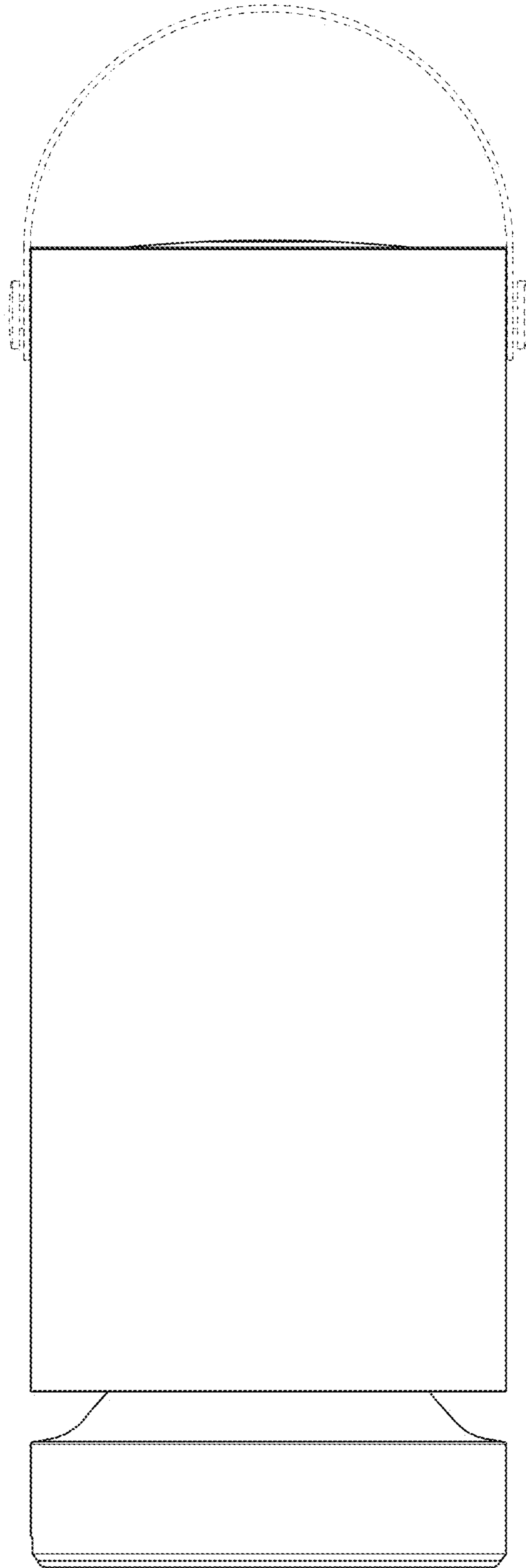


FIG. 4

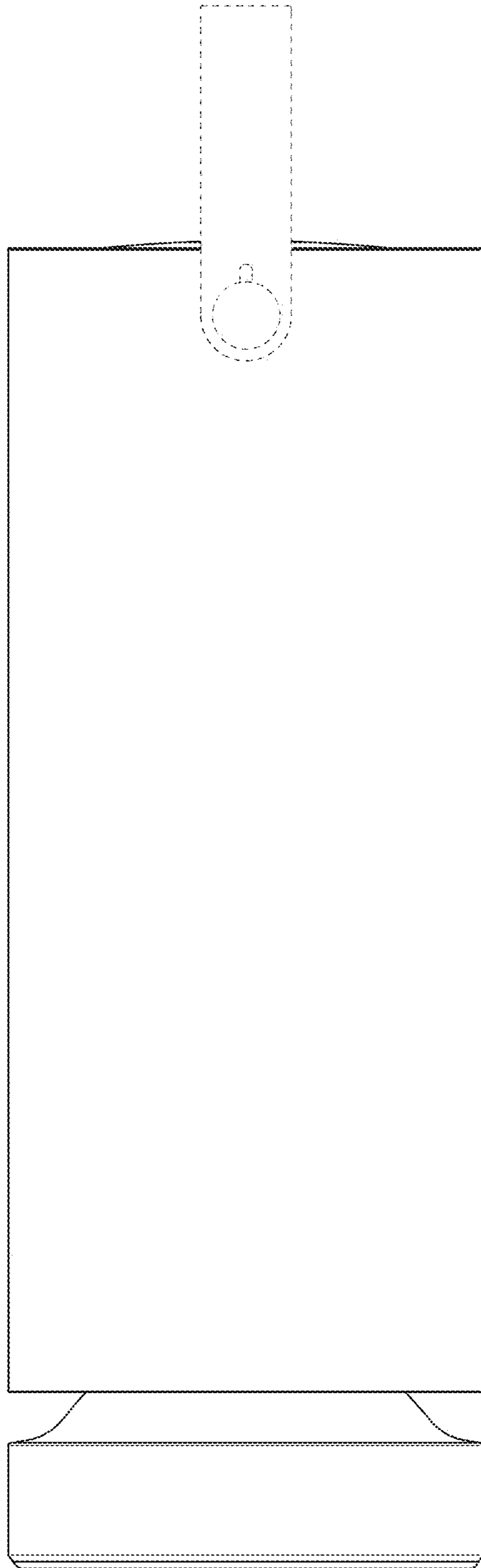


FIG. 5

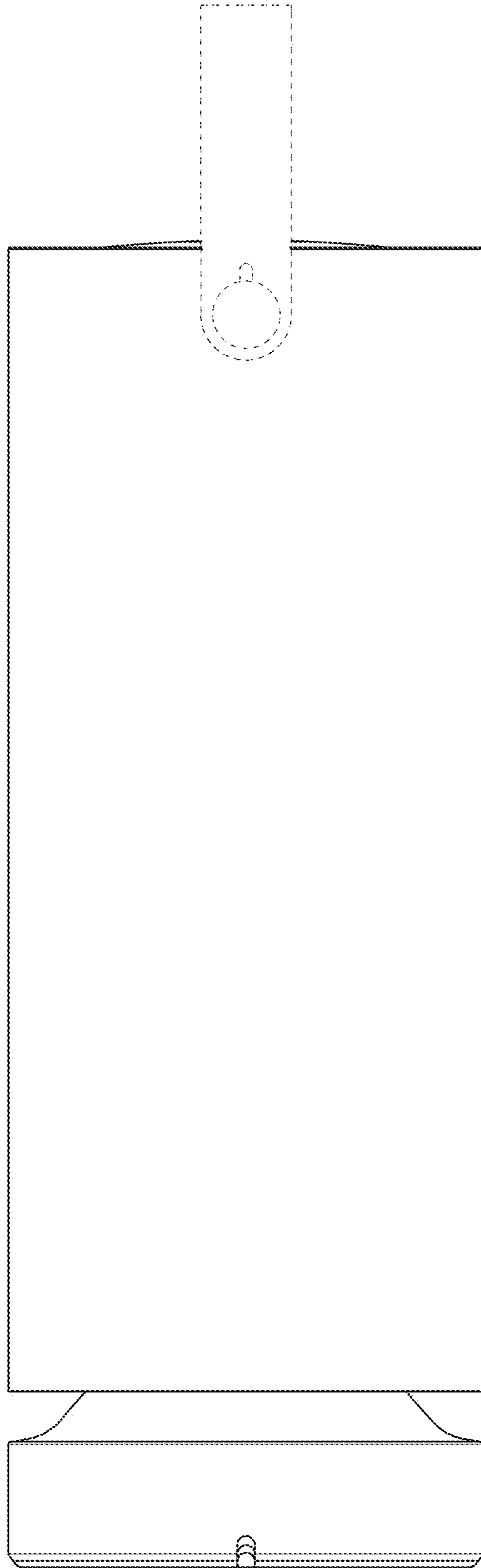


FIG. 6

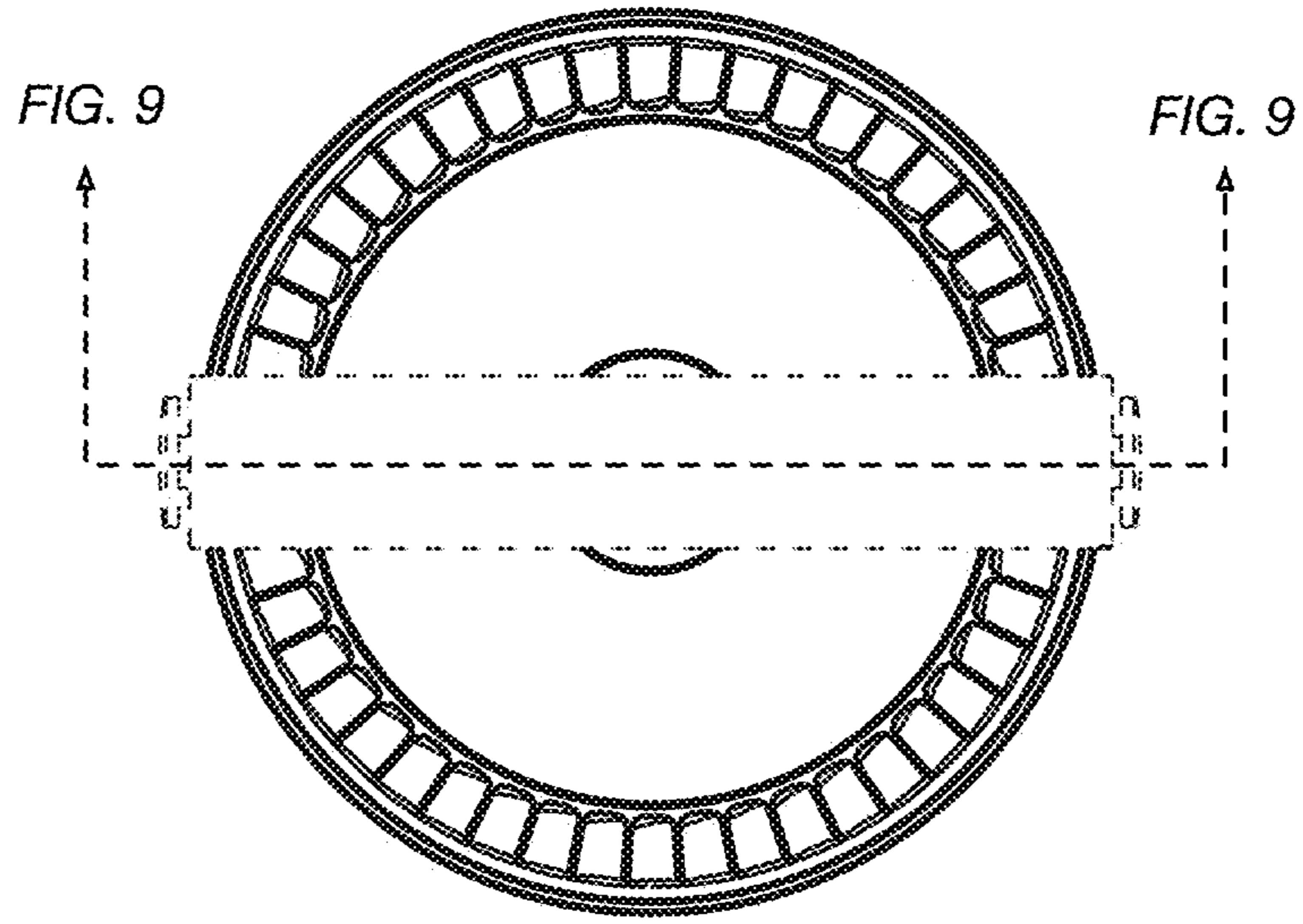


FIG. 7

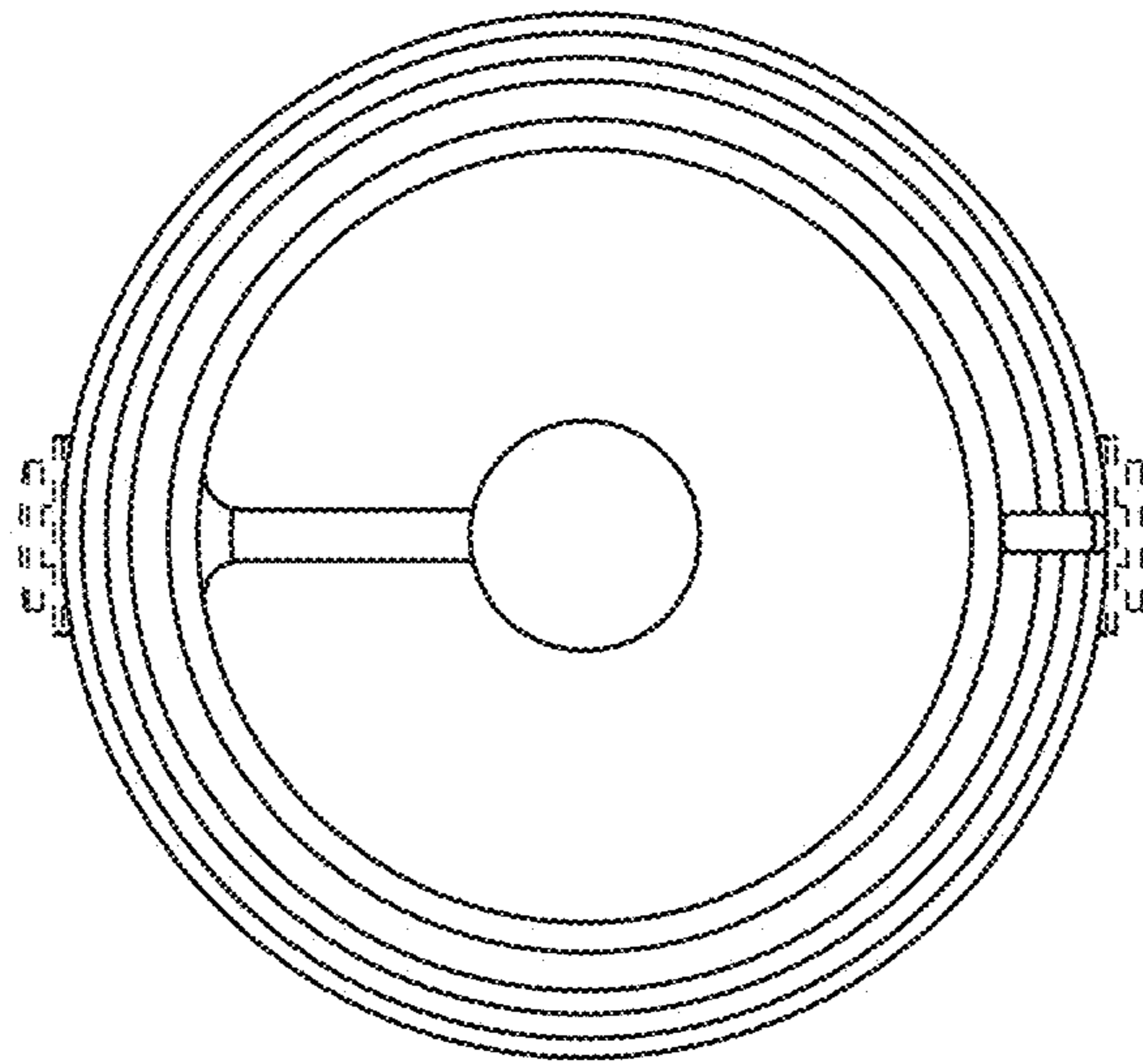


FIG. 8

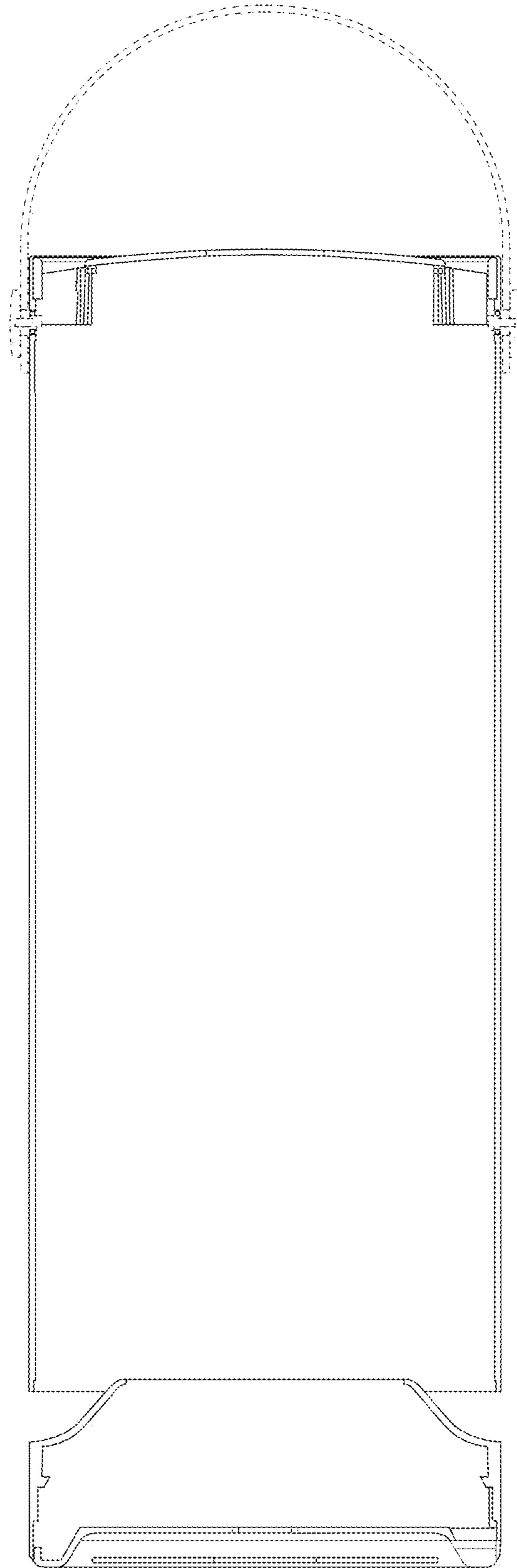


FIG. 9