



US00D888916S

(12) **United States Design Patent** (10) **Patent No.:** **US D888,916 S**  
**Blouin et al.** (45) **Date of Patent:** **\*\* Jun. 30, 2020**

(54) **FIREPLACE**  
(71) Applicant: **FABRICANT DE POÊLES INTERNATIONAL INC.,**  
St-Augustin-de-Desmaures (CA)

D66,737 S \* 3/1925 Humphrey ..... D23/344  
D66,738 S \* 3/1925 Humphrey ..... D23/344  
D67,102 S \* 4/1925 Sharp ..... D23/344  
1,553,367 A \* 9/1925 Colby ..... F24C 7/043  
392/433

(Continued)

(72) Inventors: **Éric Blouin**, Montchatel (CA); **Patrick Bégin**, Fossambault-sur-le-Lac (CA)

**OTHER PUBLICATIONS**

(73) Assignee: **FABRICANT DE POÊLES INTERNATIONAL INC.,**  
Saint-Augustin-de Desmaures (CA)

Valor Lifestyle, announced Feb. 18, 2018[online], [site visited Apr. 6, 2020]. Available from internet, URL:<https://blog.valorfireplaces.com/2018/02/freestanding-stove-options/> (Year: 2018).\*

(\*\*) Term: **15 Years**

*Primary Examiner* — Barbara Fox  
*Assistant Examiner* — Jamaal Rasheed

(21) Appl. No.: **29/665,443**

(74) *Attorney, Agent, or Firm* — Marshall, Gerstein & Borun LLP

(22) Filed: **Oct. 3, 2018**

(30) **Foreign Application Priority Data**

(57) **CLAIM**

Apr. 5, 2018 (CA) ..... 180631

The ornamental design for a fireplace, as shown and described.

(51) **LOC (12) Cl.** ..... **23-03**

**DESCRIPTION**

(52) **U.S. Cl.**  
USPC ..... **D23/346**

(58) **Field of Classification Search**  
USPC ..... D23/339-346; D6/663, 671, 675, 709  
CPC ..... F24H 3/00; F24C 7/04; A47C 7/00  
See application file for complete search history.

FIG. 1 is a perspective view of a fireplace in accordance with the new design.  
FIG. 2 is a front elevation view of the fireplace shown in FIG. 1;  
FIG. 3 is a rear elevation view of the fireplace shown in FIG. 1;  
FIG. 4 is a right-side elevation view of the fireplace shown in FIG. 1;  
FIG. 5 is a left-side elevation view of the fireplace shown in FIG. 1;  
FIG. 6 is a top plan view of the fireplace shown in FIG. 1; and,  
FIG. 7 is a bottom plan view of the fireplace shown in FIG. 1.

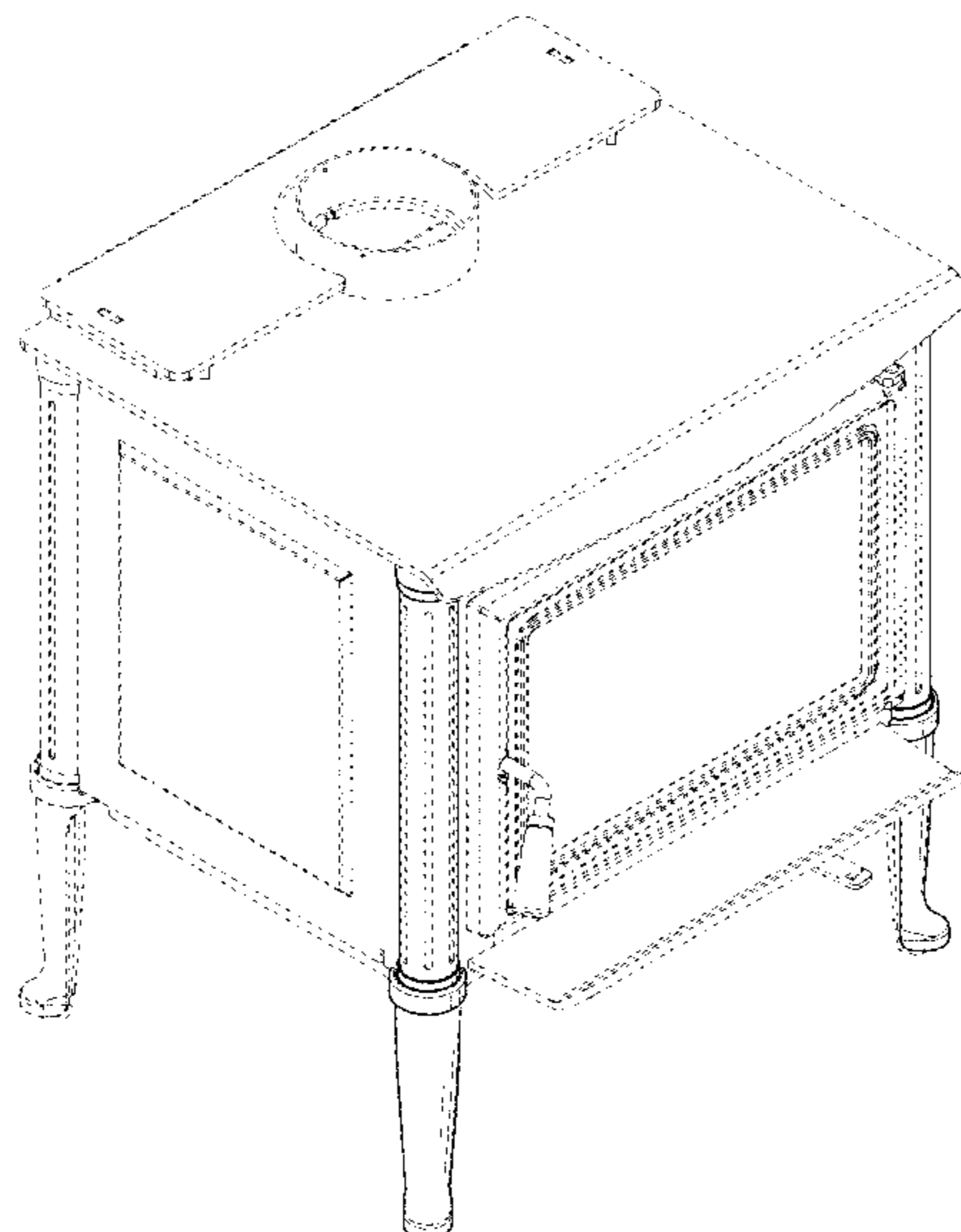
(56) **References Cited**

**U.S. PATENT DOCUMENTS**

D35 S \* 9/1845 Ponniman ..... D23/346  
D333 S \* 11/1850 Richmond ..... D23/346  
D54,129 S \* 11/1919 Rozyk ..... D23/346  
D55,176 S \* 5/1920 Humphrey ..... D23/344  
D55,177 S \* 5/1920 Humphrey ..... D23/344  
D60,241 S \* 1/1922 Humphrey ..... D23/344  
D61,672 S \* 11/1922 Witzberger ..... D23/344  
D63,675 S \* 1/1924 Adams ..... D23/344  
D63,713 S \* 1/1924 Grayson ..... D23/344  
D66,201 S \* 12/1924 Livingston ..... D23/344

The broken lines shown in the drawings depict portions of the fireplace that form no part of the claimed design.

**1 Claim, 7 Drawing Sheets**



(56)

References Cited

U.S. PATENT DOCUMENTS

1,555,335 A \* 9/1925 Vaughan ..... F24C 7/043  
392/434  
D70,870 S \* 8/1926 Adams ..... D23/339  
1,615,683 A \* 1/1927 Colby ..... F24H 3/002  
392/376  
D72,288 S \* 3/1927 Slattery ..... D23/339  
D72,768 S \* 5/1927 Jackes ..... D23/344  
D72,860 S \* 6/1927 Lawson ..... D23/344  
D73,135 S \* 7/1927 Lawson ..... D23/344  
D77,328 S \* 12/1928 Pickup ..... D23/344  
1,706,202 A \* 3/1929 Adams ..... F24C 7/043  
219/486  
D82,946 S \* 12/1930 Leonard ..... D23/342  
D94,597 S \* 2/1935 Chadwick et al. .... D23/342  
D99,129 S \* 3/1936 Lange ..... D23/342  
D117,949 S \* 12/1939 Golden ..... D23/342  
D258,306 S \* 2/1981 Rennels  
D276,457 S \* 11/1984 Heger  
D277,226 S \* 1/1985 Creffield ..... D23/343  
4,549,711 A \* 10/1985 Giltneane ..... A47C 7/002  
248/188  
D293,463 S \* 12/1987 Bastien ..... D23/346  
D300,354 S \* 3/1989 Syme ..... D23/346  
D381,739 S \* 7/1997 Wilson ..... D23/339  
D382,337 S \* 8/1997 Smith ..... D23/342  
D382,338 S \* 8/1997 Stancliff ..... D23/344  
D397,776 S \* 9/1998 Heger ..... D23/343  
D402,019 S \* 12/1998 Byrne ..... D23/346  
D473,400 S \* 4/2003 O'Hare ..... D6/668.2  
D521,280 S \* 5/2006 Paus ..... D6/709.16  
D612,034 S \* 3/2010 Mattis ..... D23/346  
D680,207 S \* 4/2013 Blouin ..... D23/346  
D690,404 S \* 9/2013 Blouin ..... D23/343  
D697,745 S \* 1/2014 Nagata ..... D6/709  
D718,851 S \* 12/2014 Blouin ..... D23/343

\* cited by examiner

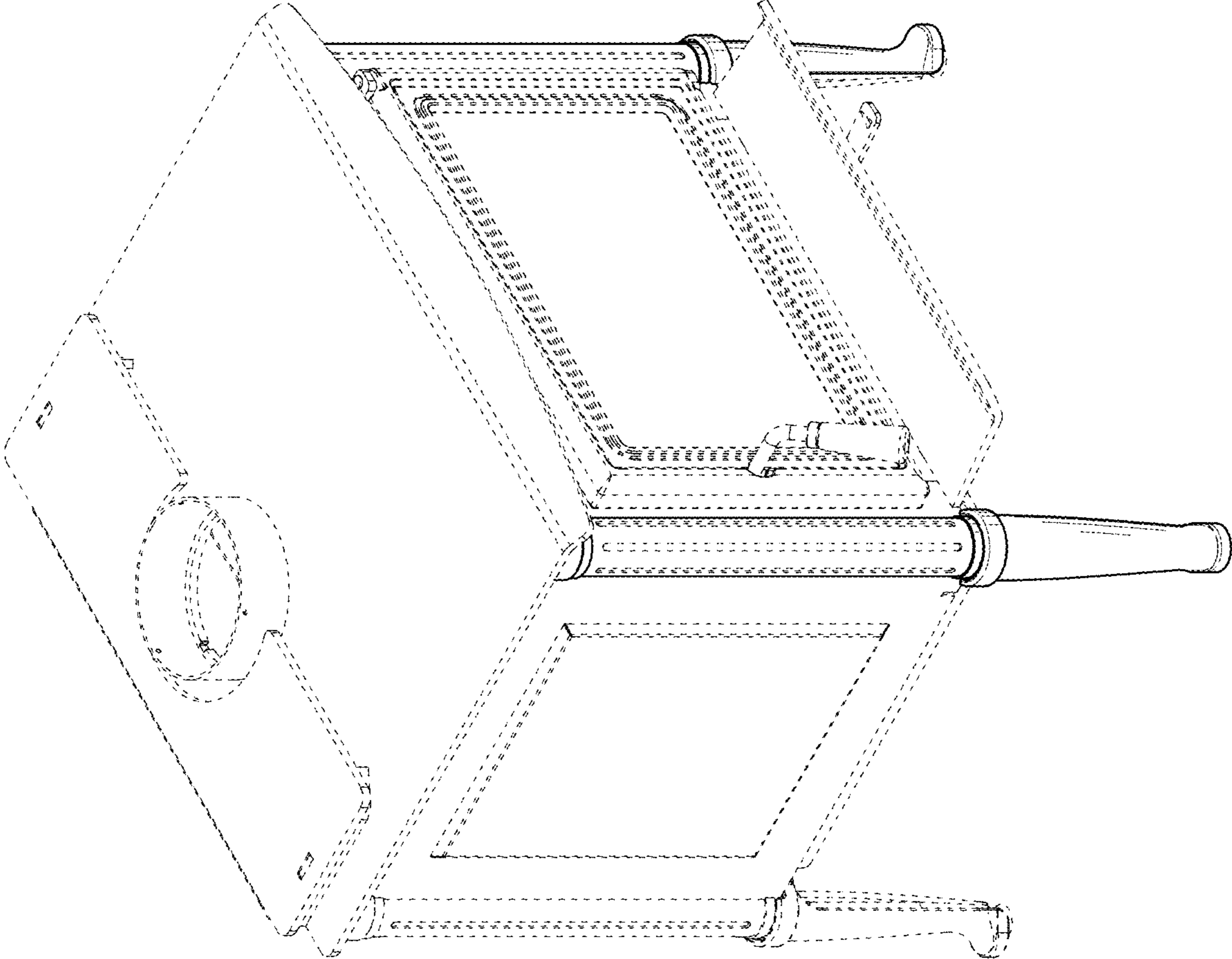


FIG. 1

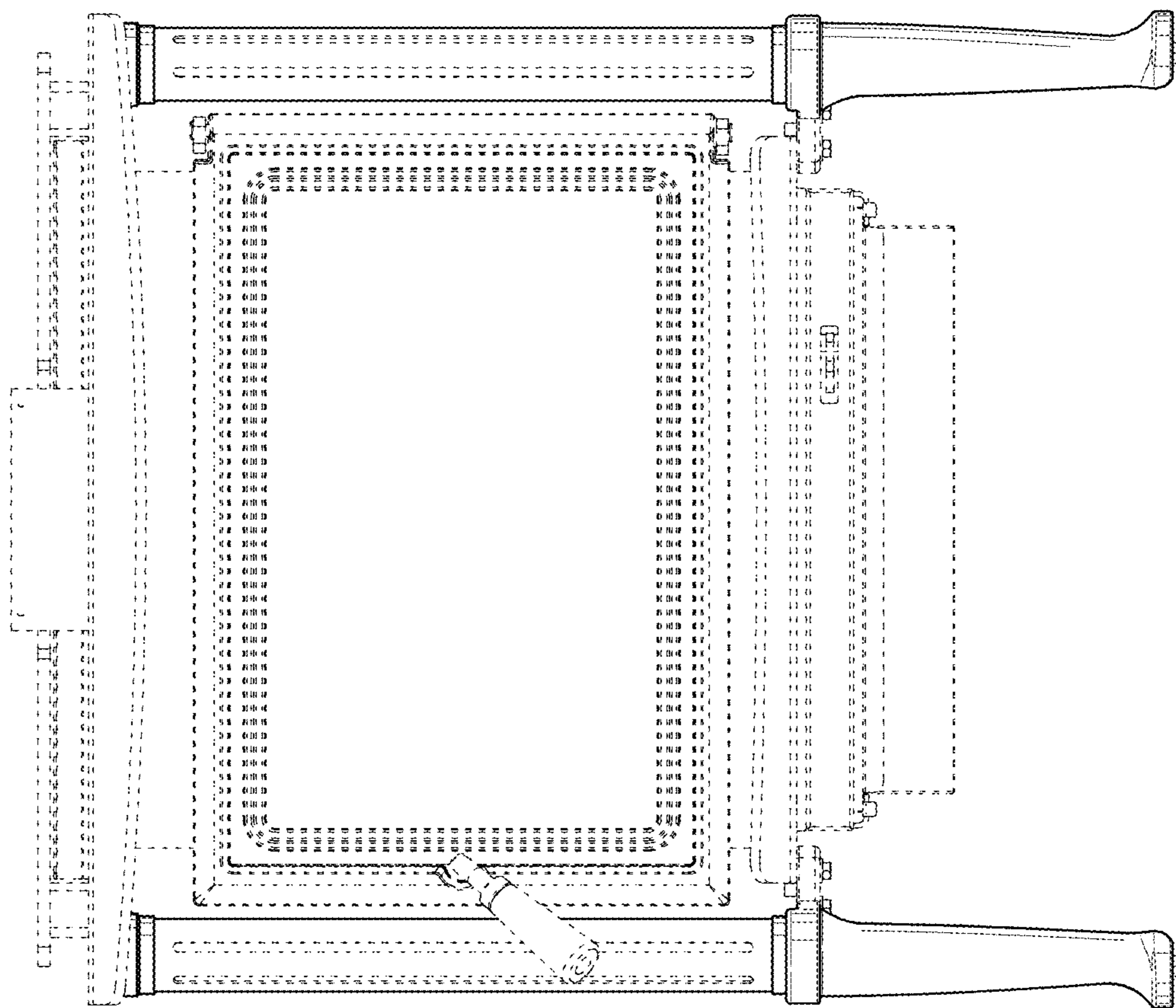


FIG. 2

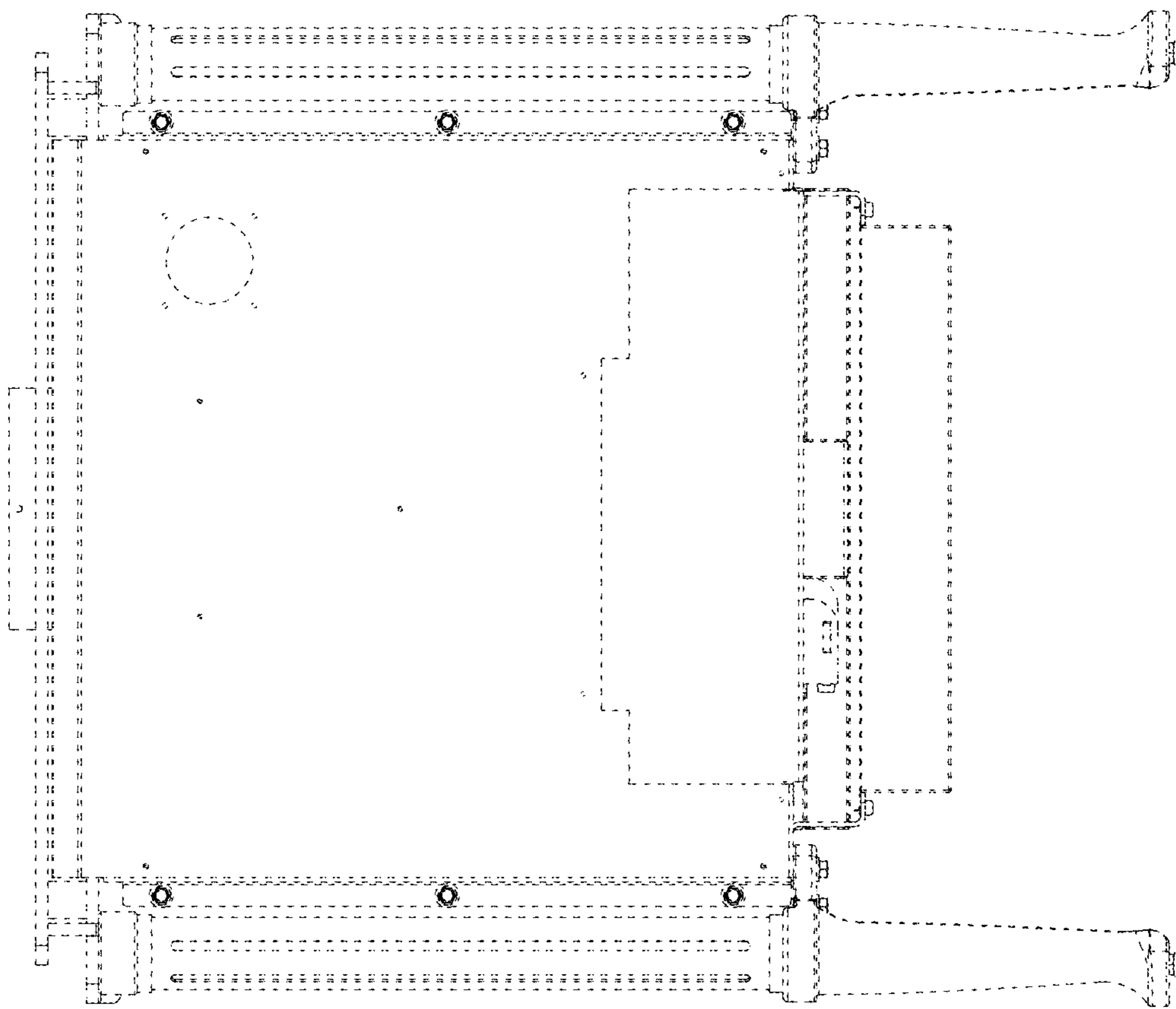


FIG. 3

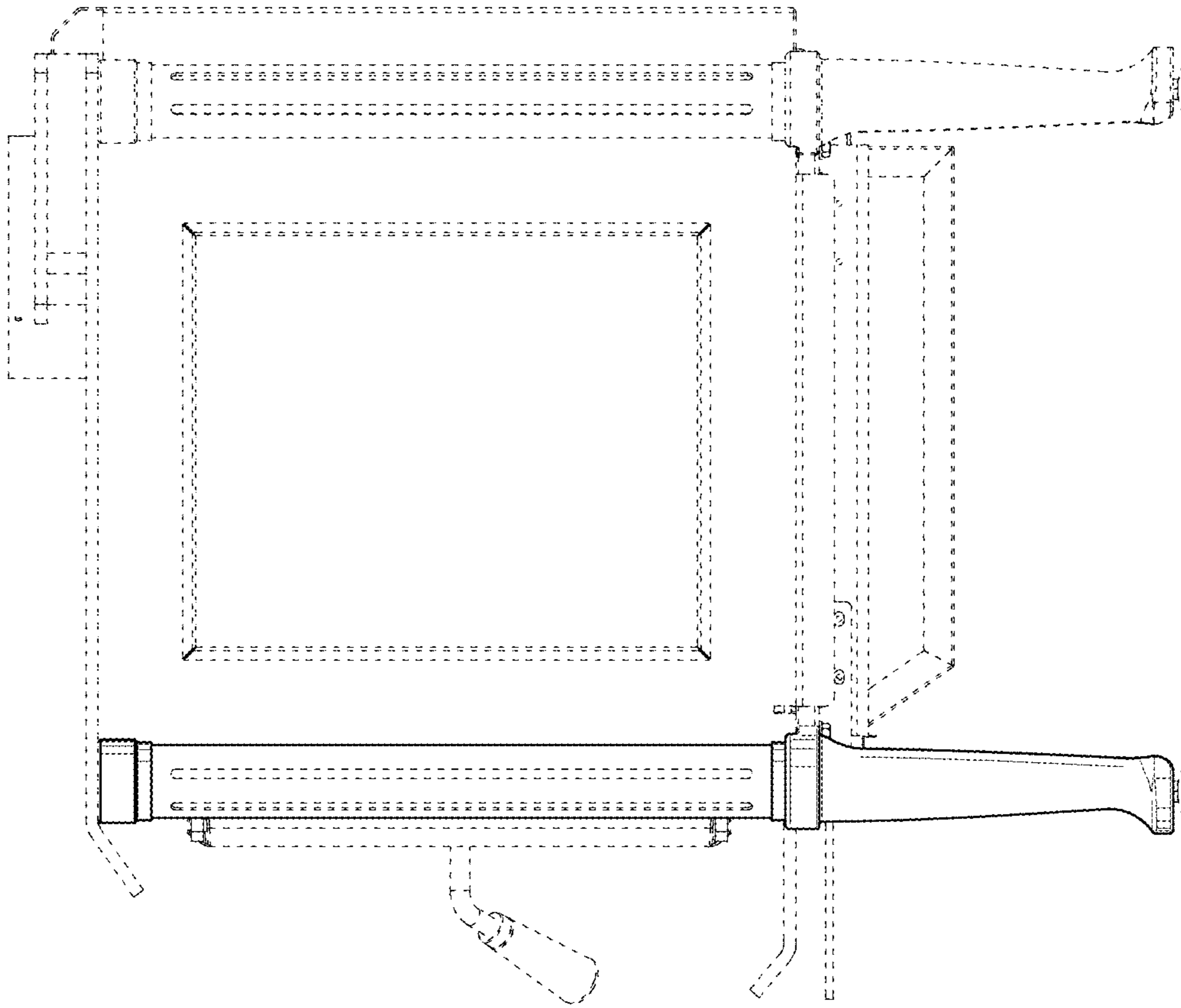


FIG. 4

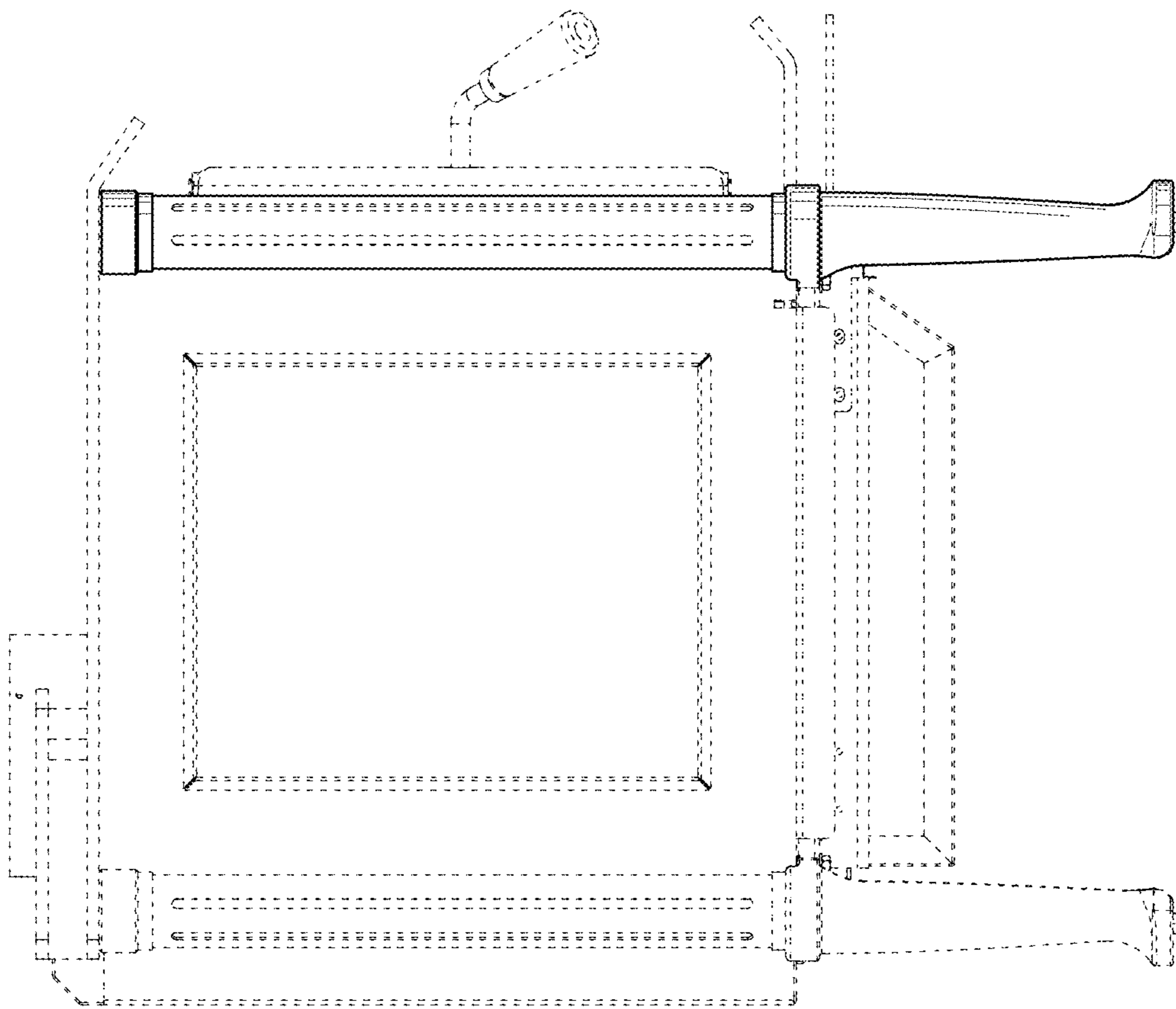


FIG. 5

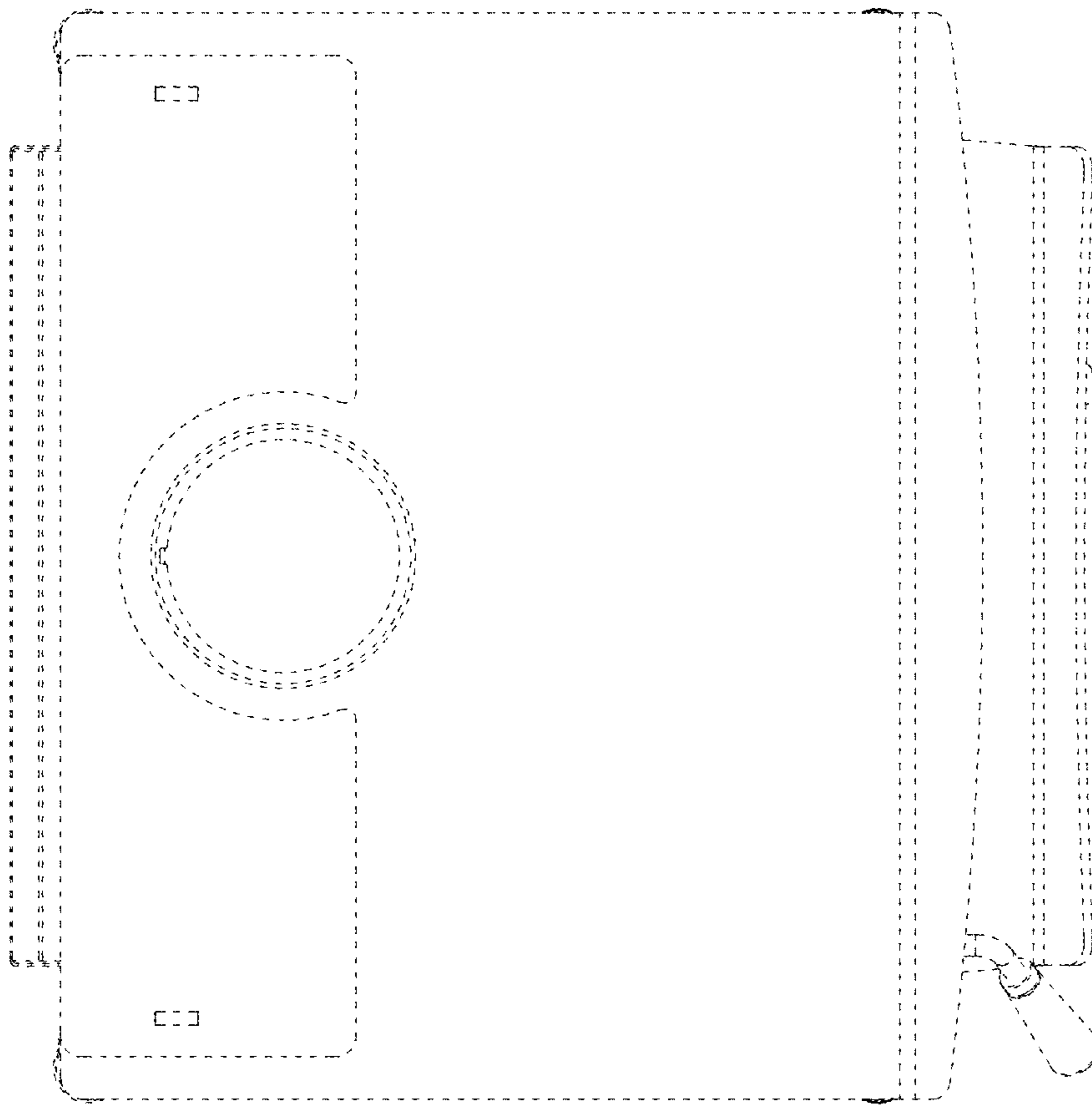


FIG. 6



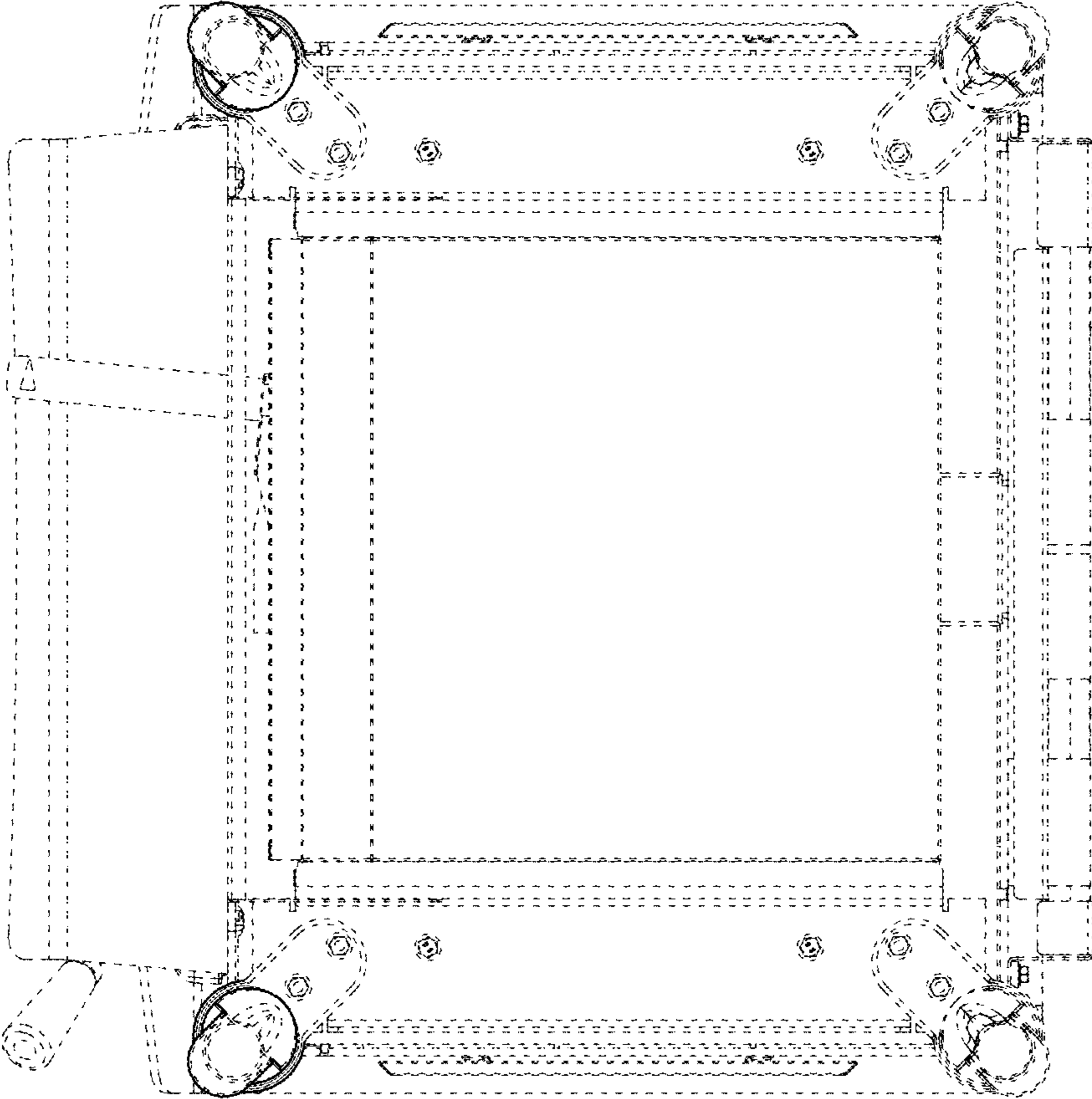


FIG. 7