



US00D888911S

(12) **United States Design Patent**
Wu

(10) **Patent No.:** **US D888,911 S**
(45) **Date of Patent:** **** Jun. 30, 2020**

(54) **PORTABLE COMMODE SEAT**
(71) Applicant: **Dongguanshi Niwota Plastic Co., Ltd.**,
Dongguan (CN)
(72) Inventor: **Junhua Wu**, Guiping (CN)
(73) Assignee: **Dongguanshi Niwota Plastic Co., Ltd.**,
Dongguan (CN)

(**) Term: **15 Years**

(21) Appl. No.: **29/702,055**

(22) Filed: **Aug. 16, 2019**

(30) **Foreign Application Priority Data**

Mar. 13, 2019 (CN) 2019 3 0102332

(51) **LOC (12) Cl.** **23-02**

(52) **U.S. Cl.**
USPC **D23/311**

(58) **Field of Classification Search**
USPC D23/295, 300-301, 309, 311-312
CPC A47K 13/00; A47K 13/005; A47K 13/02;
A47K 13/04; A47K 13/14
See application file for complete search history.

(56) **References Cited**

U.S. PATENT DOCUMENTS

4,930,165 A * 6/1990 Wilson A47K 13/00
16/225
5,005,223 A * 4/1991 Greenwood A47K 13/06
4/235

D352,773 S * 11/1994 Haleschuk D23/311
D771,227 S * 11/2016 Yeung D23/311
D816,819 S * 5/2018 Xu D23/311
D866,732 S * 11/2019 Fu D23/311
2011/0252550 A1* 10/2011 Lee A47K 13/02
4/240
2016/0183745 A1* 6/2016 Jackson A47K 13/14
4/239

* cited by examiner

Primary Examiner — Robert A Delehanty

(74) *Attorney, Agent, or Firm* — ScienBiziP, P.C.

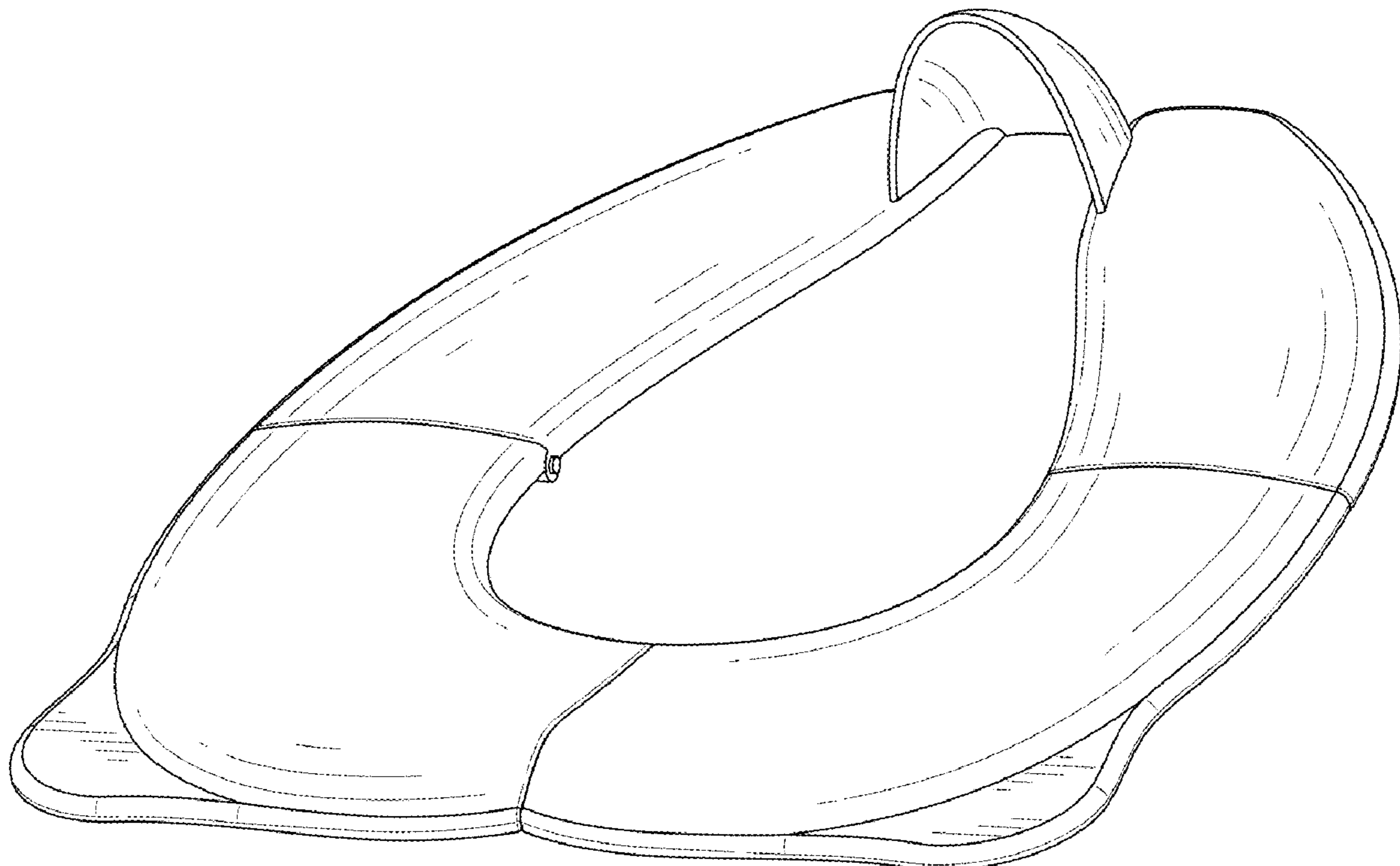
(57) **CLAIM**

The ornamental design for a portable commode seat, as shown and described.

DESCRIPTION

FIG. 1 is a first perspective view of a portable commode seat, showing my design.
FIG. 2 is a second perspective view thereof.
FIG. 3 is a front elevation view thereof.
FIG. 4 is a rear elevation view thereof.
FIG. 5 is a left side elevation view thereof.
FIG. 6 is a right side elevation view thereof.
FIG. 7 is a top plan view thereof; and,
FIG. 8 is a bottom plan view thereof.

1 Claim, 8 Drawing Sheets



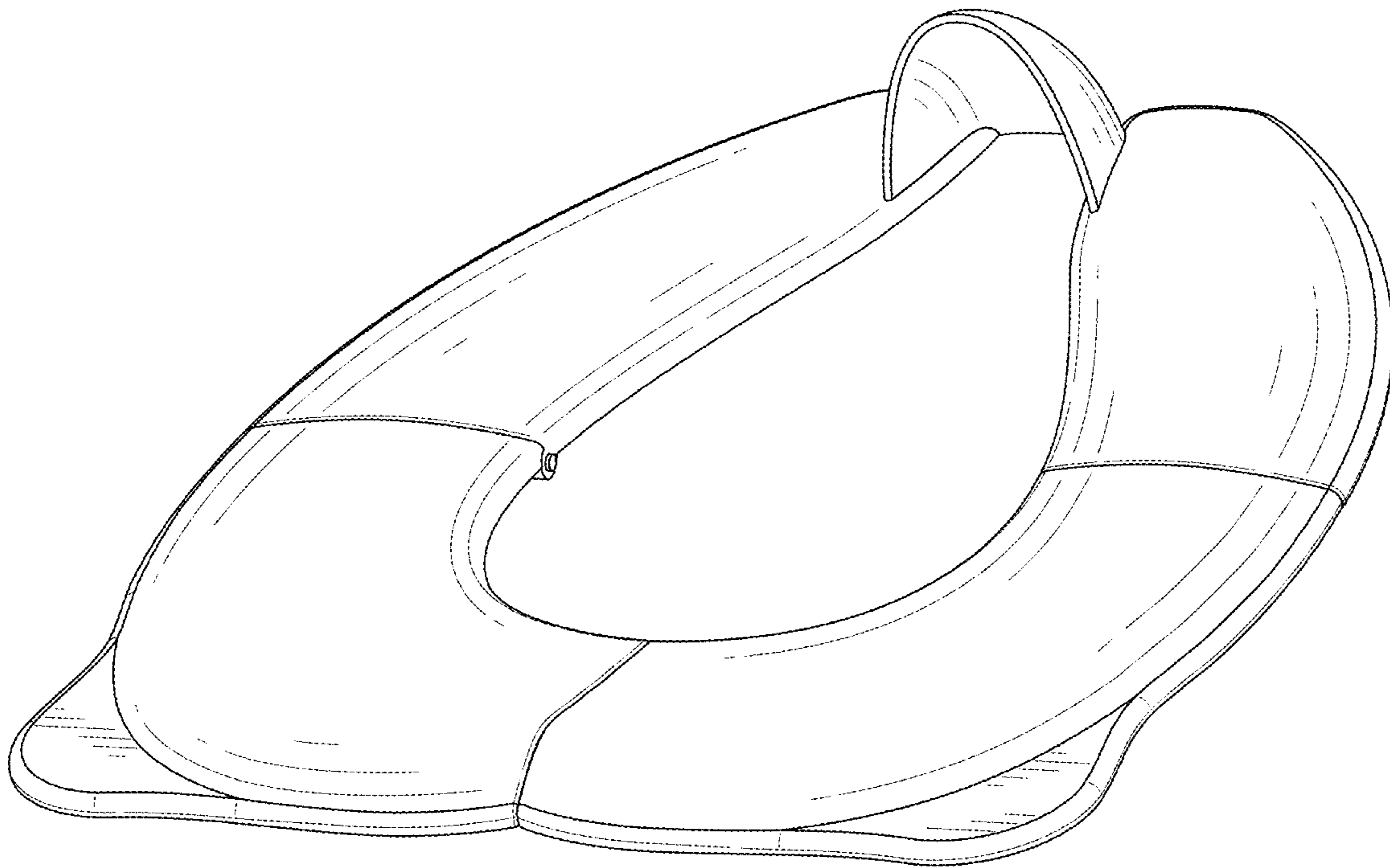


FIG. 1

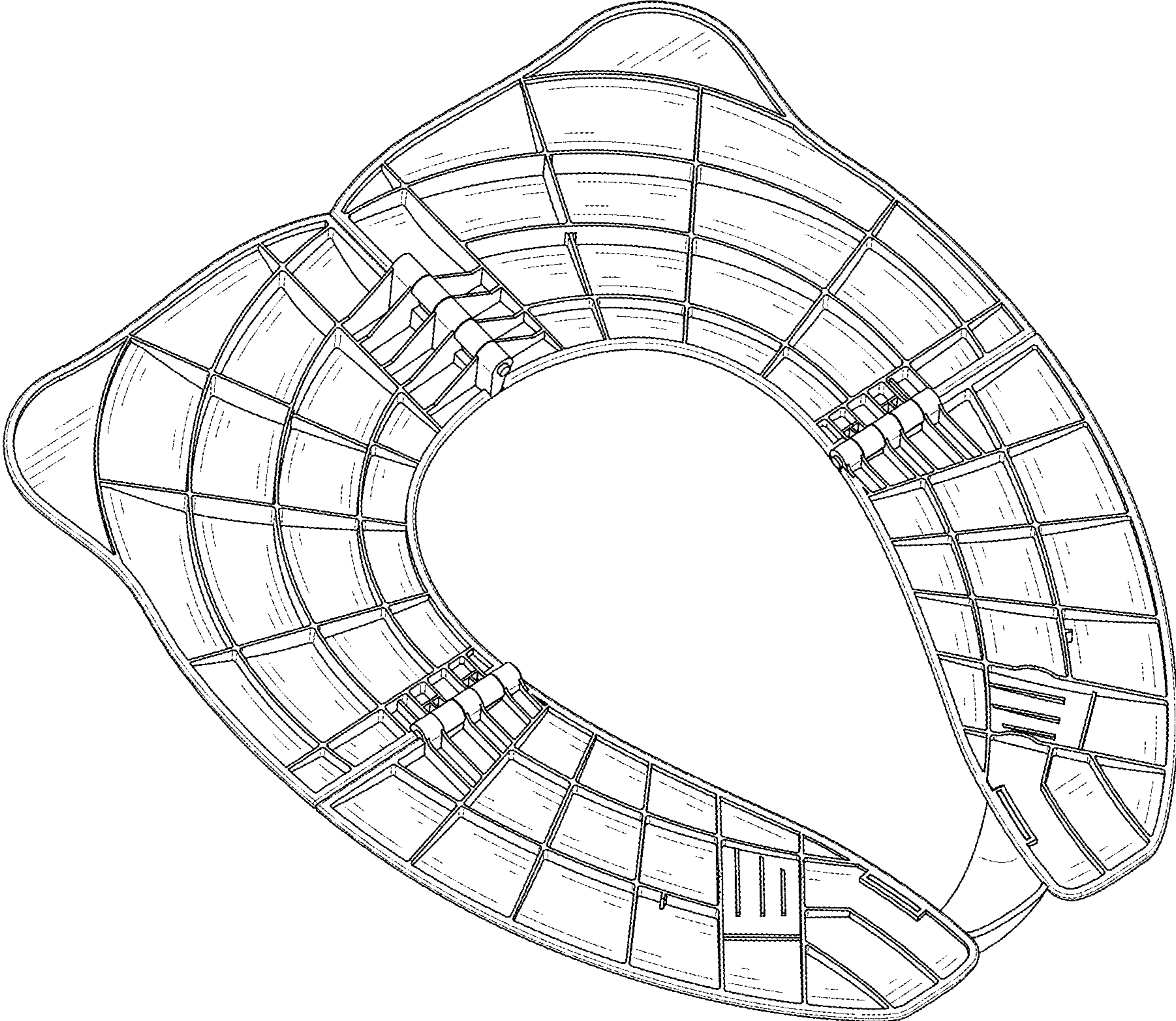


FIG. 2

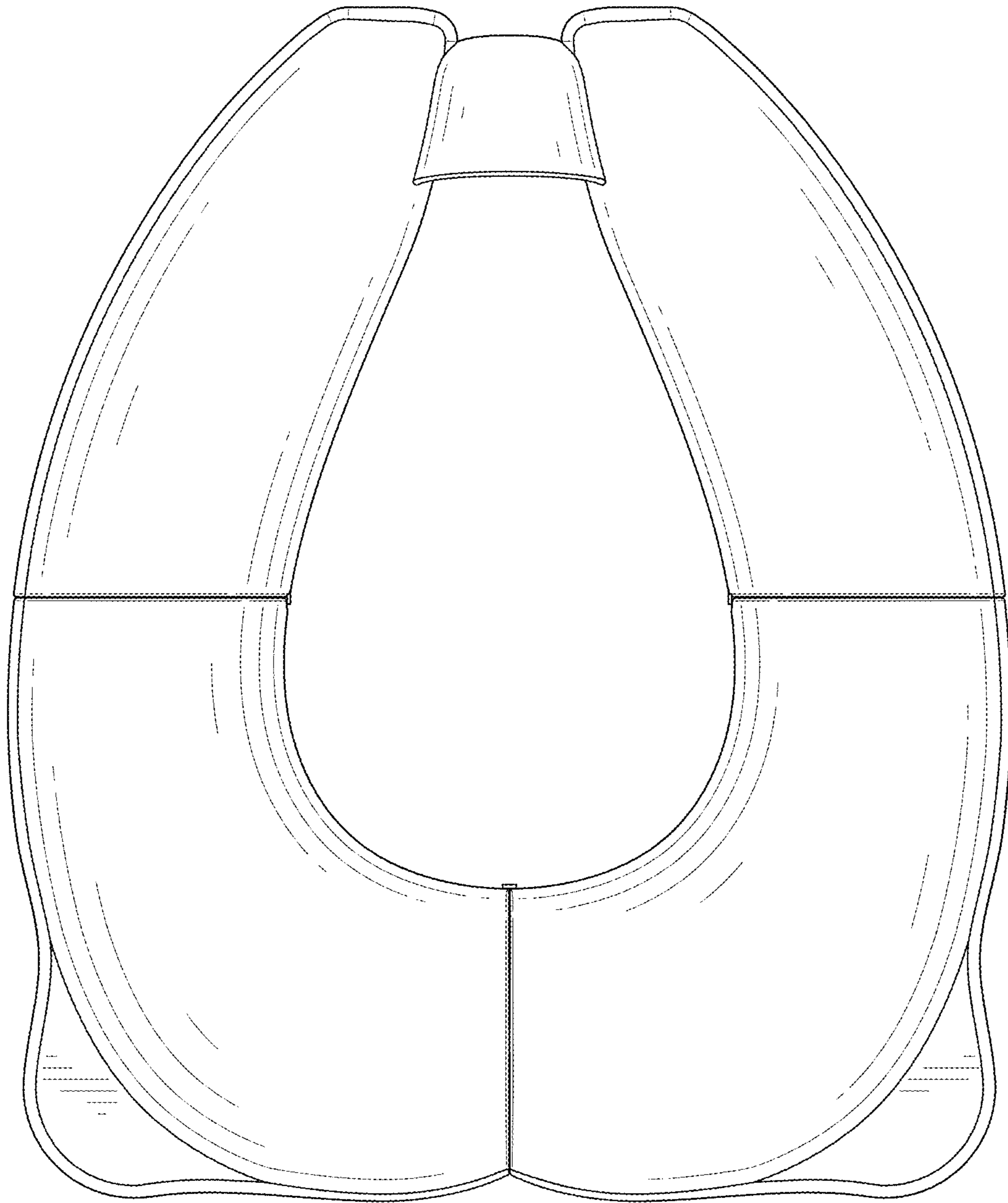


FIG. 3

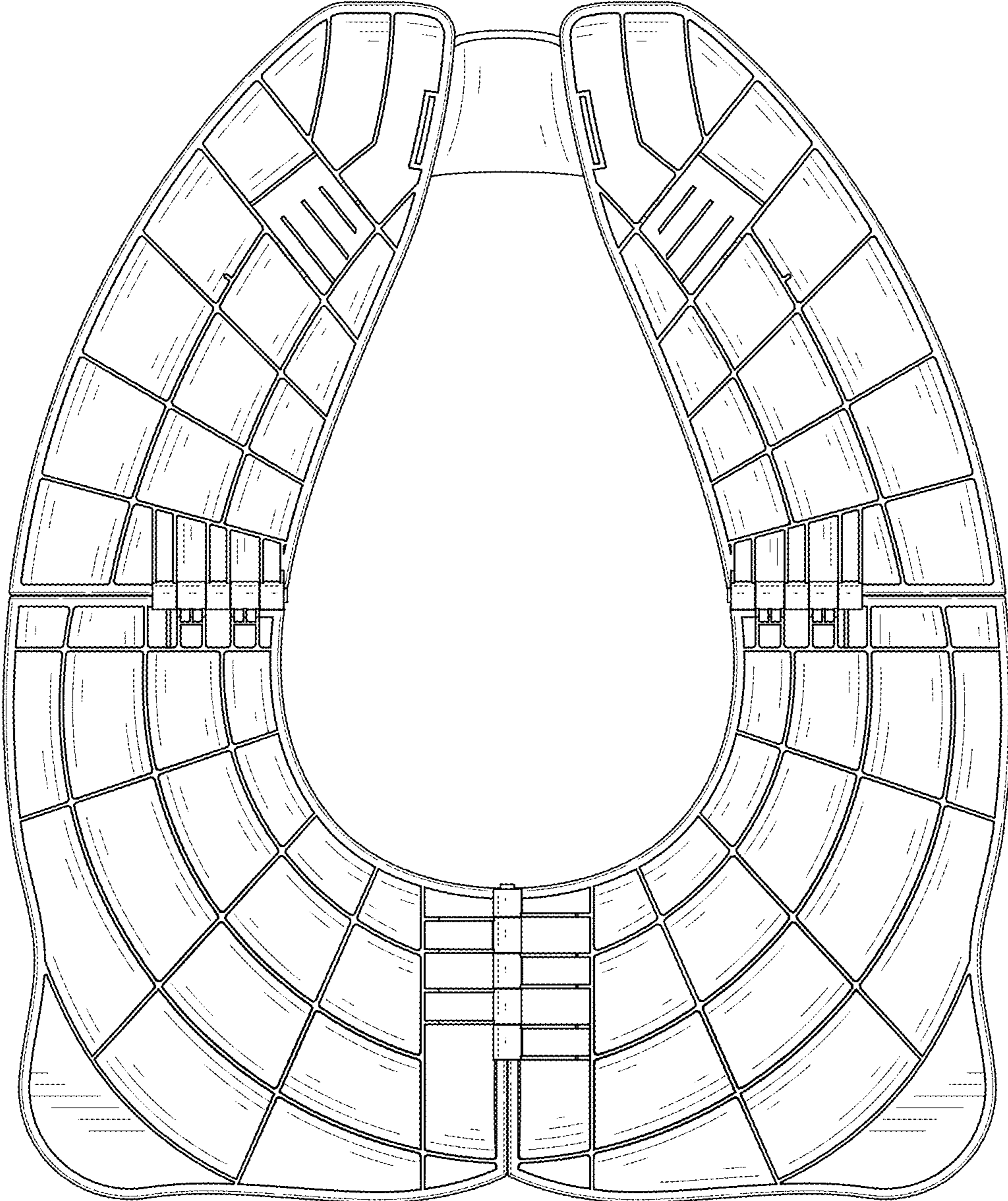


FIG. 4

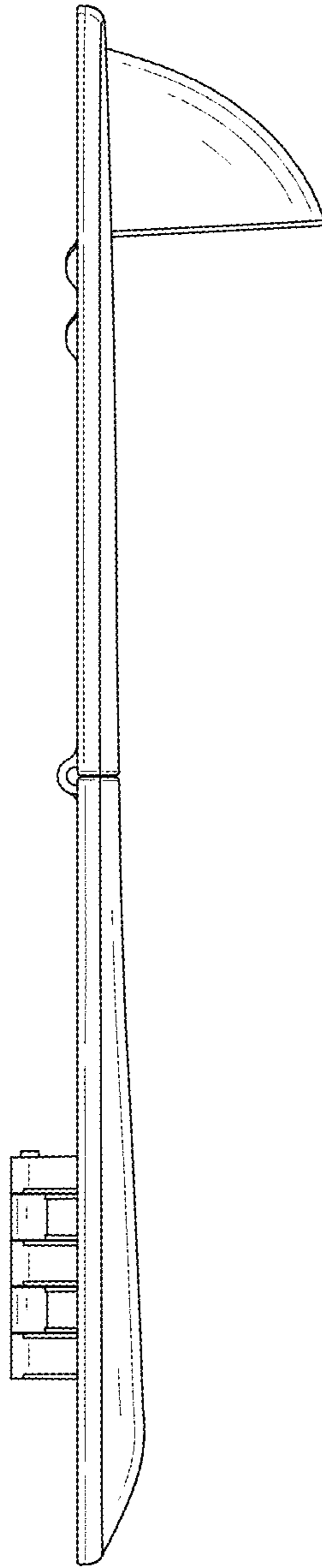


FIG. 5

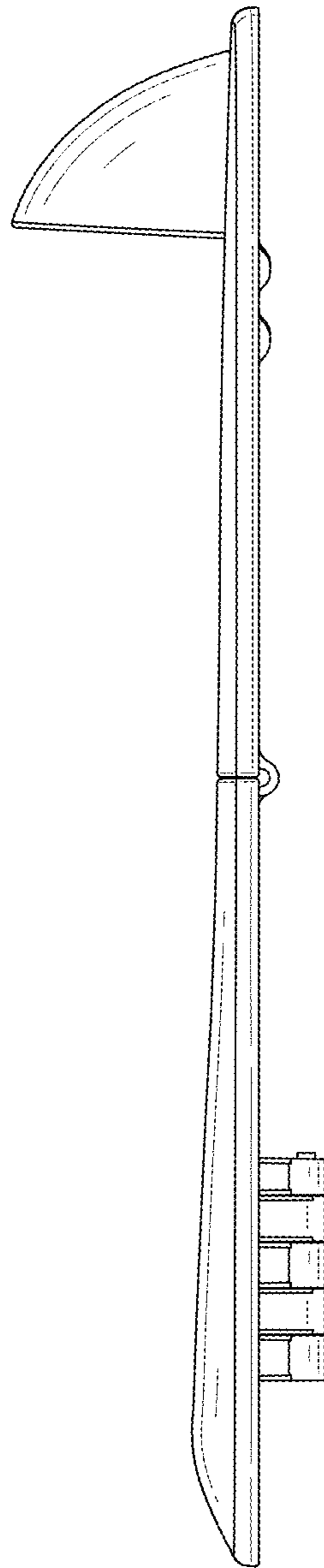


FIG. 6

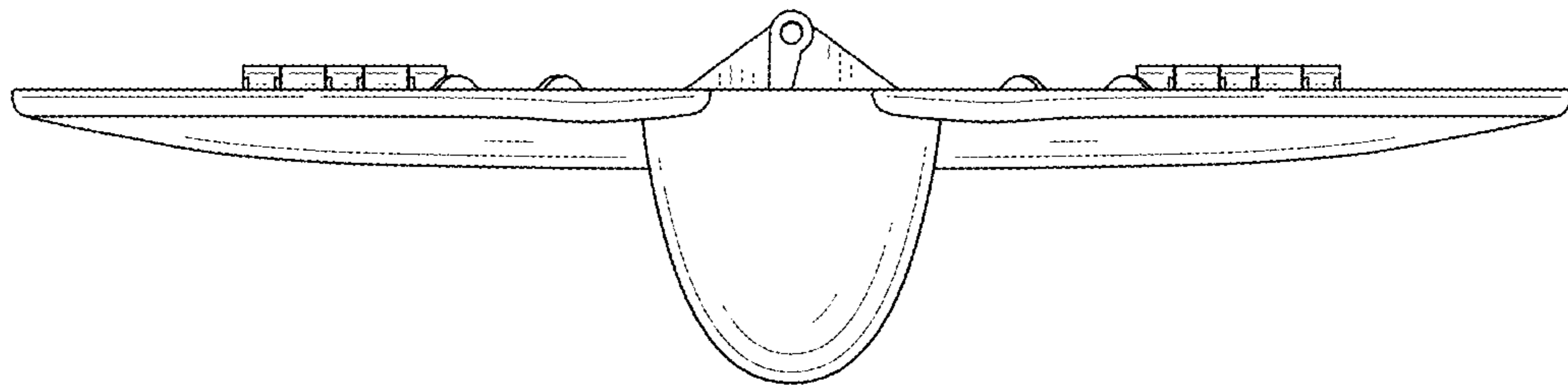


FIG. 7

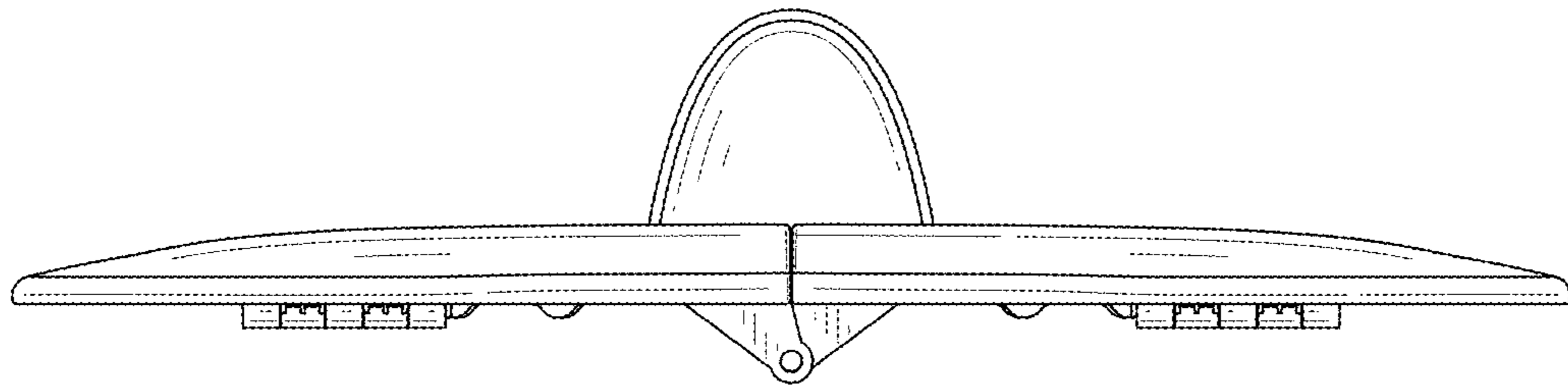


FIG. 8