



US00D888910S

(12) **United States Design Patent** (10) **Patent No.:** **US D888,910 S**
LeTourneau et al. (45) **Date of Patent:** **** Jun. 30, 2020**

(54) **TOILET**

(71) Applicant: **Kohler Co.**, Kohler, WI (US)
(72) Inventors: **Alexander V. LeTourneau**, Sheboygan, WI (US); **Shawn J. Booth**, Sheboygan, WI (US)
(73) Assignee: **KOHLER CO.**, Kohler, WI (US)
(**) Term: **15 Years**
(21) Appl. No.: **29/650,042**
(22) Filed: **Jun. 4, 2018**
(51) **LOC (12) Cl.** **23-02**
(52) **U.S. Cl.**
USPC **D23/309**
(58) **Field of Classification Search**
USPC D23/295–301, 303, 309, 311–313
CPC A47K 11/02; A47K 11/026; A47K 11/00;
A47K 13/00; E03D 11/18; E03D 5/10;
E03D 13/00
See application file for complete search history.

(56) **References Cited**

U.S. PATENT DOCUMENTS

D415,563 S	10/1999	McKeone	
D585,128 S	1/2009	Slothower et al.	
D601,233 S	9/2009	Kergoet	
D652,493 S *	1/2012	Bucher	D23/301
D764,033 S *	8/2016	Chuk	D23/301
D767,742 S	9/2016	Bates et al.	
D785,751 S *	5/2017	Chuk	D23/209
D801,493 S	10/2017	Bates et al.	
D831,799 S *	10/2018	Obara	D23/301

OTHER PUBLICATIONS

Toilets (pp. 314-347) from Kohler 2016 Fixtures Catalog.
* cited by examiner
Primary Examiner — Brandon M Rosati
Assistant Examiner — John A Voytek
(74) *Attorney, Agent, or Firm* — Foley & Lardner LLP

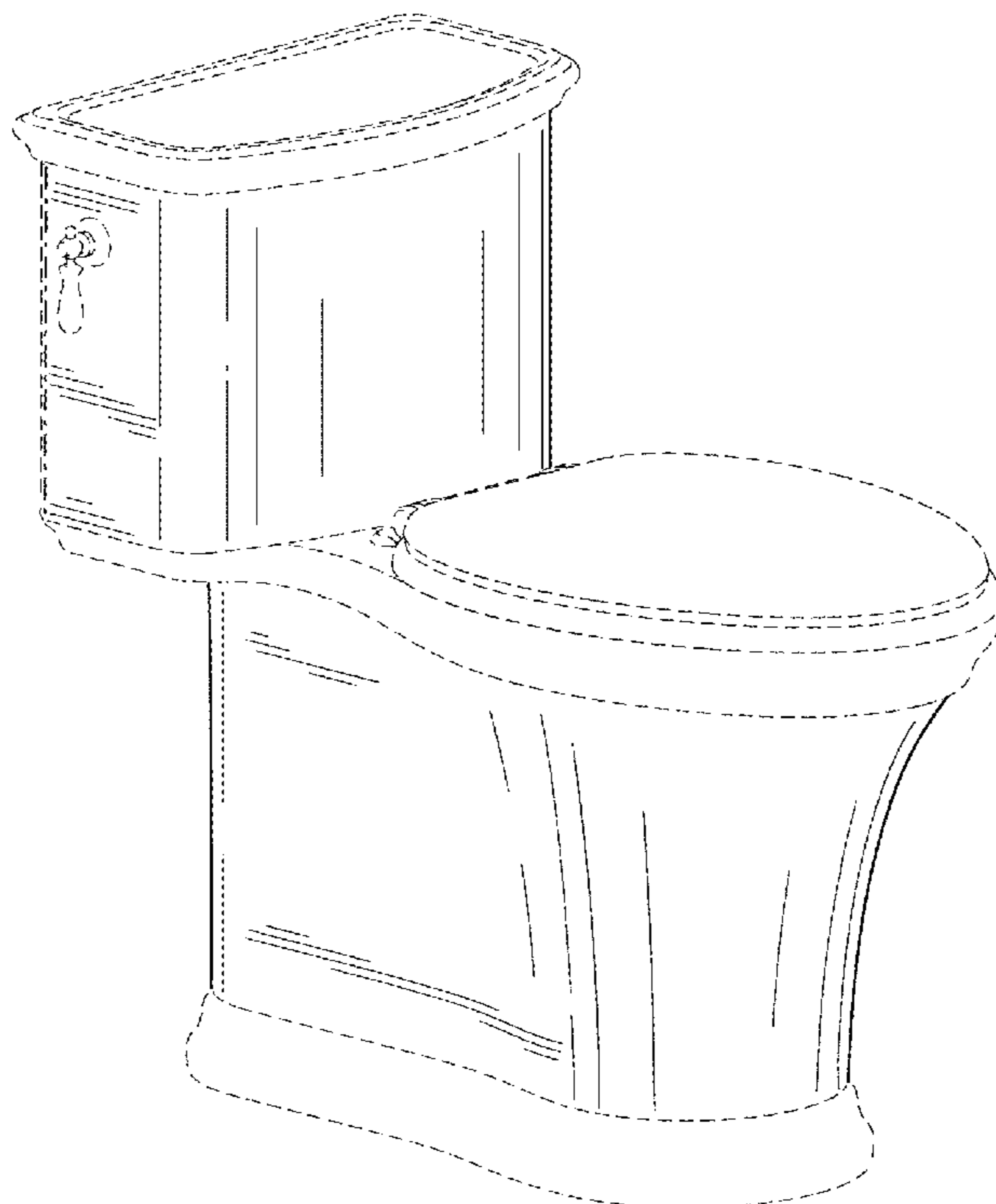
(57) **CLAIM**

We claim the ornamental design for a toilet, as shown and described.

DESCRIPTION

FIG. 1 is a perspective view of the claimed design;
FIG. 2 is a front view of the claimed design shown in FIG. 1;
FIG. 3 is a rear view of the claimed design shown in FIG. 1;
FIG. 4 is a top view of the claimed design shown in FIG. 1;
FIG. 5 is a bottom view of the claimed design shown in FIG. 1;
FIG. 6 is a side view of the claimed design shown in FIG. 1; and,
FIG. 7 is another side view of the claimed design shown in FIG. 1.
In the drawings, the broken lines depict unclaimed portions of the toilet. The dot and dashed lines represent a boundary between the claimed and the non-claimed portions and form no part of the claimed design.

1 Claim, 4 Drawing Sheets



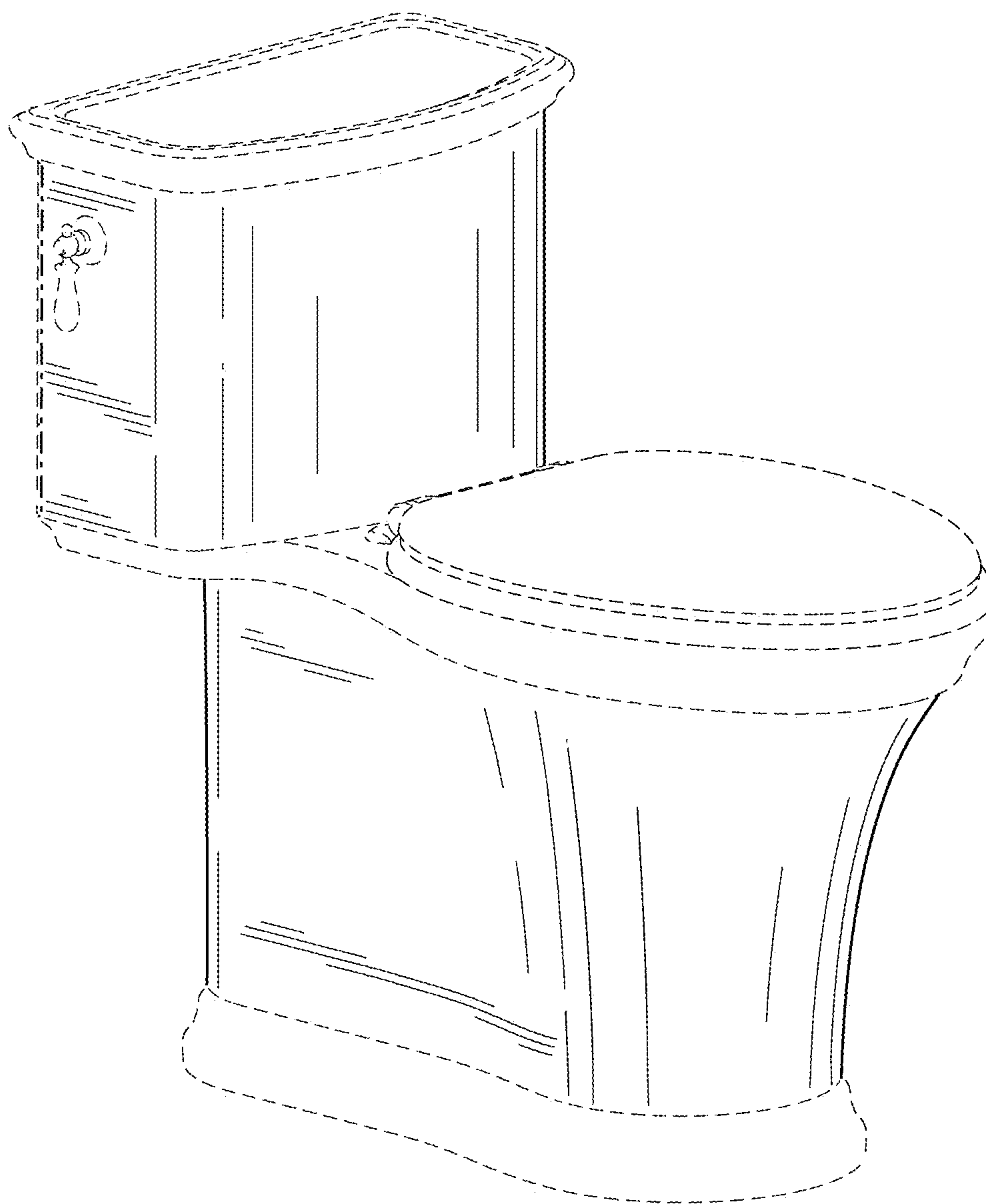


FIG. 1

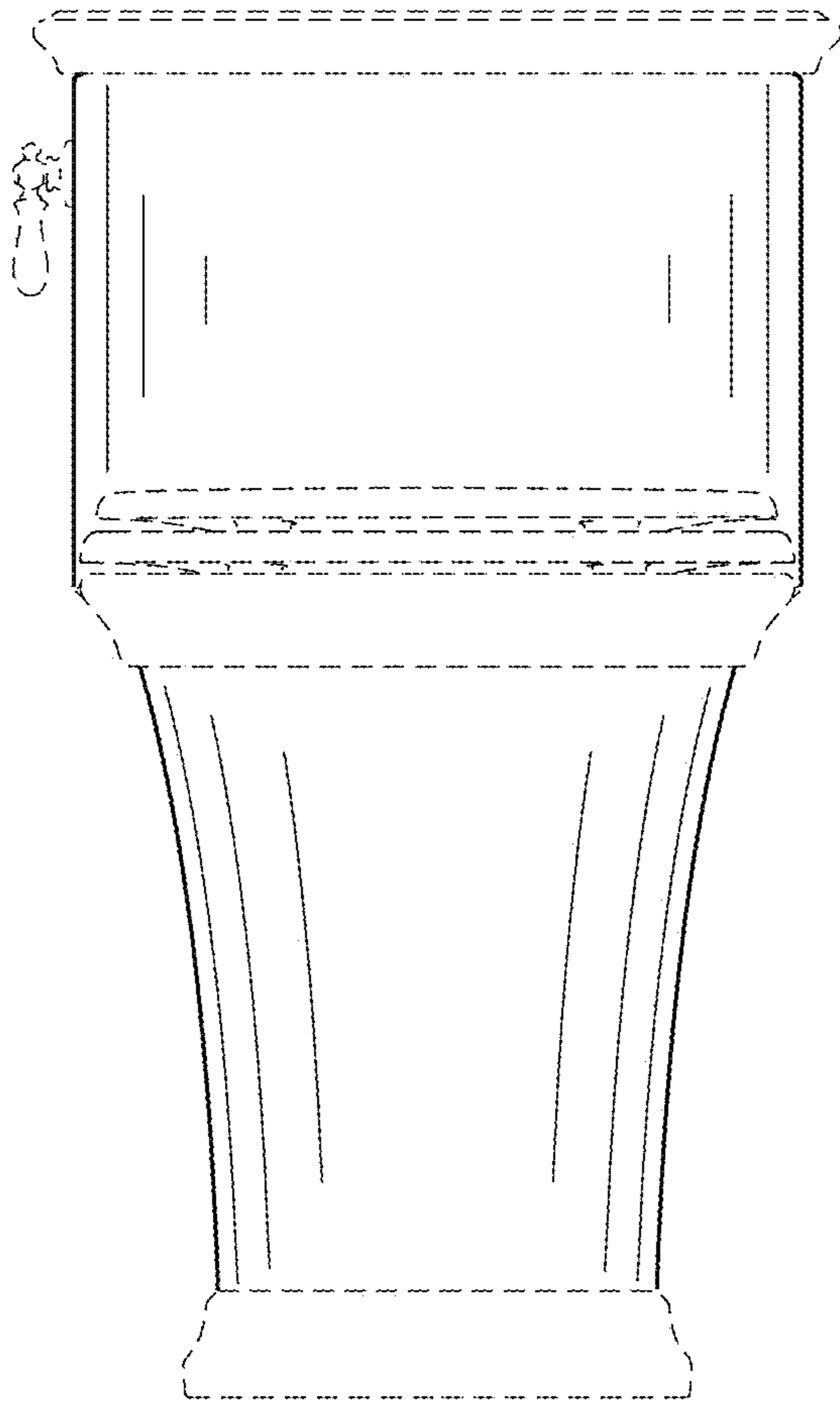


FIG. 2

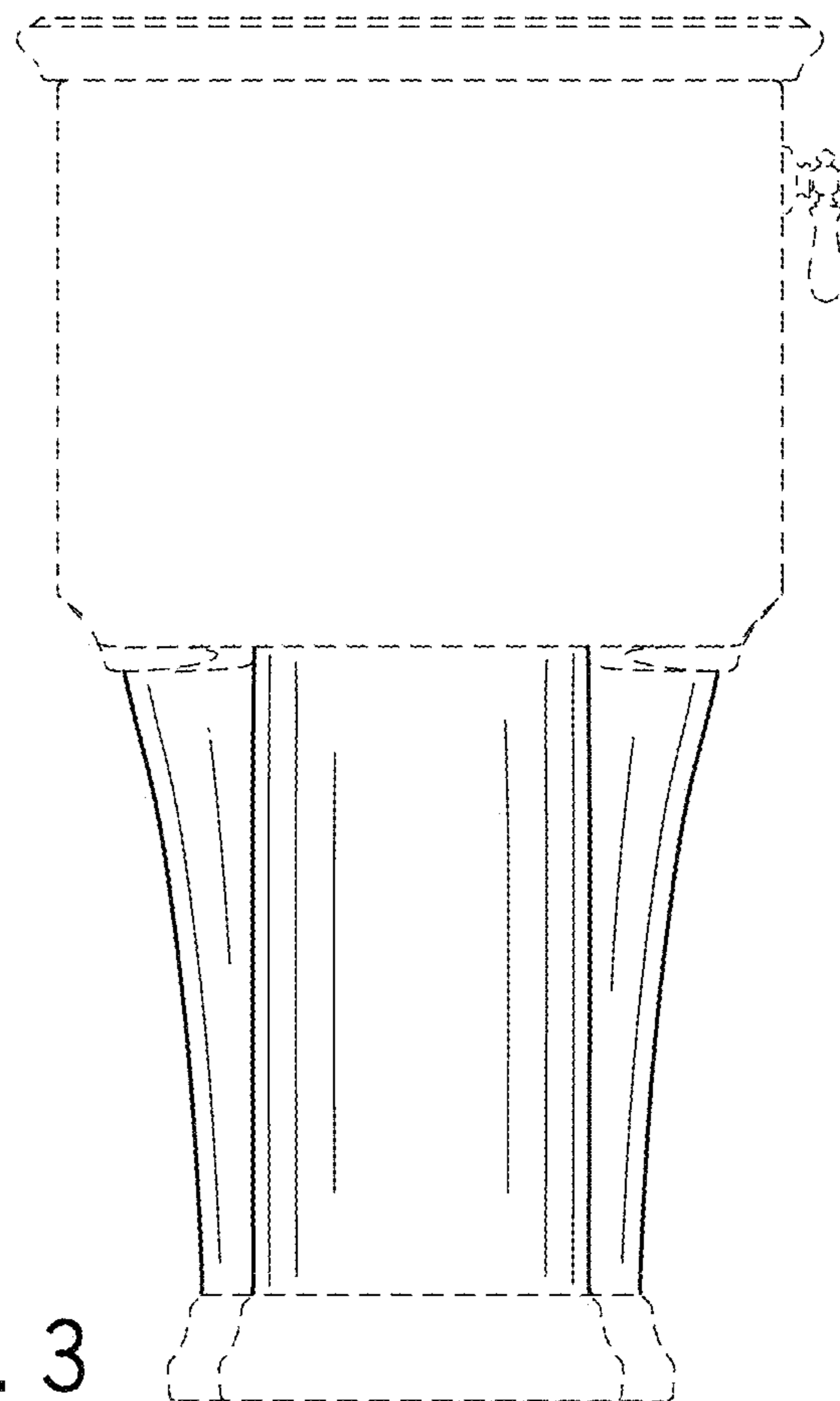


FIG. 3

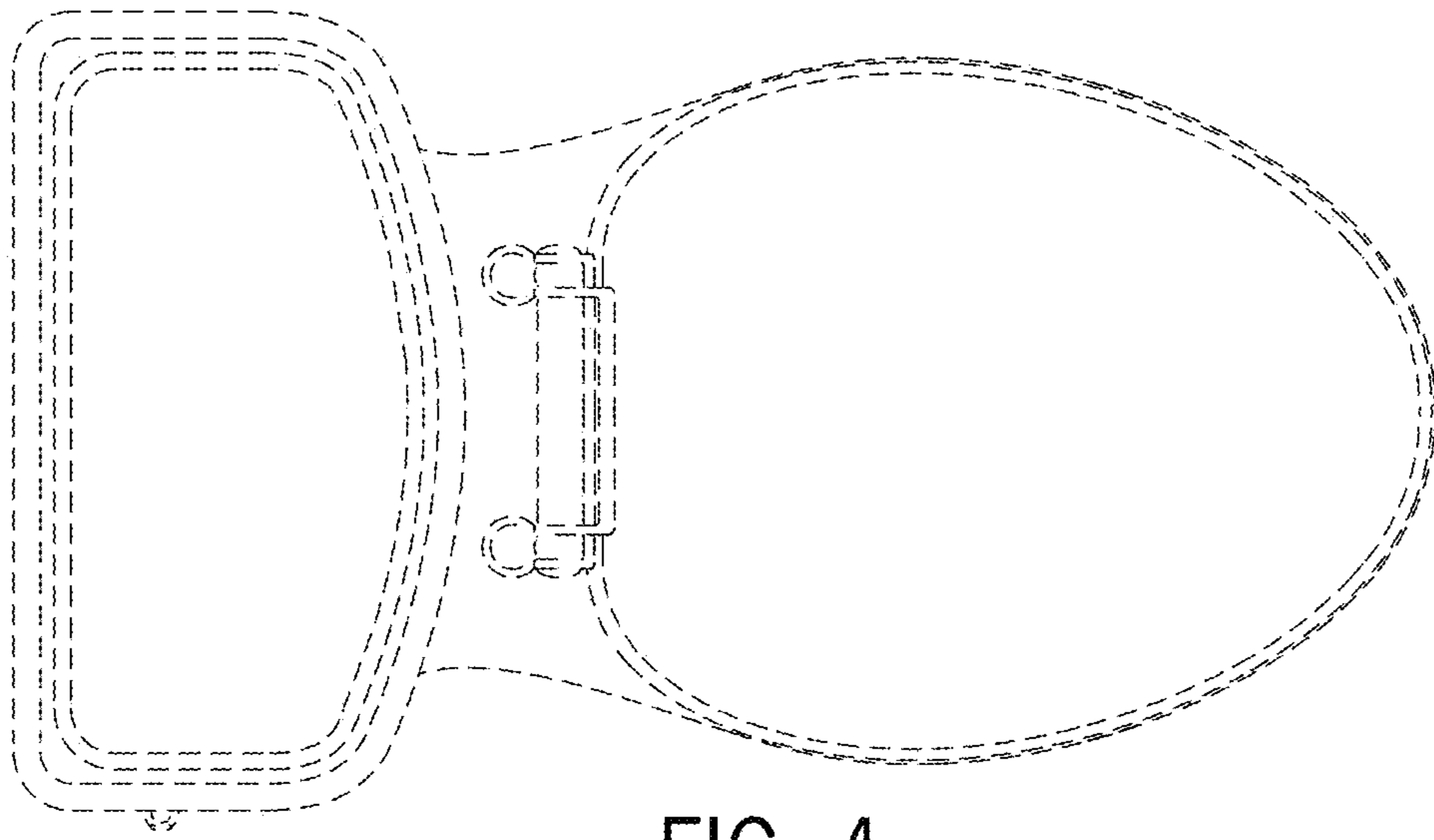


FIG. 4

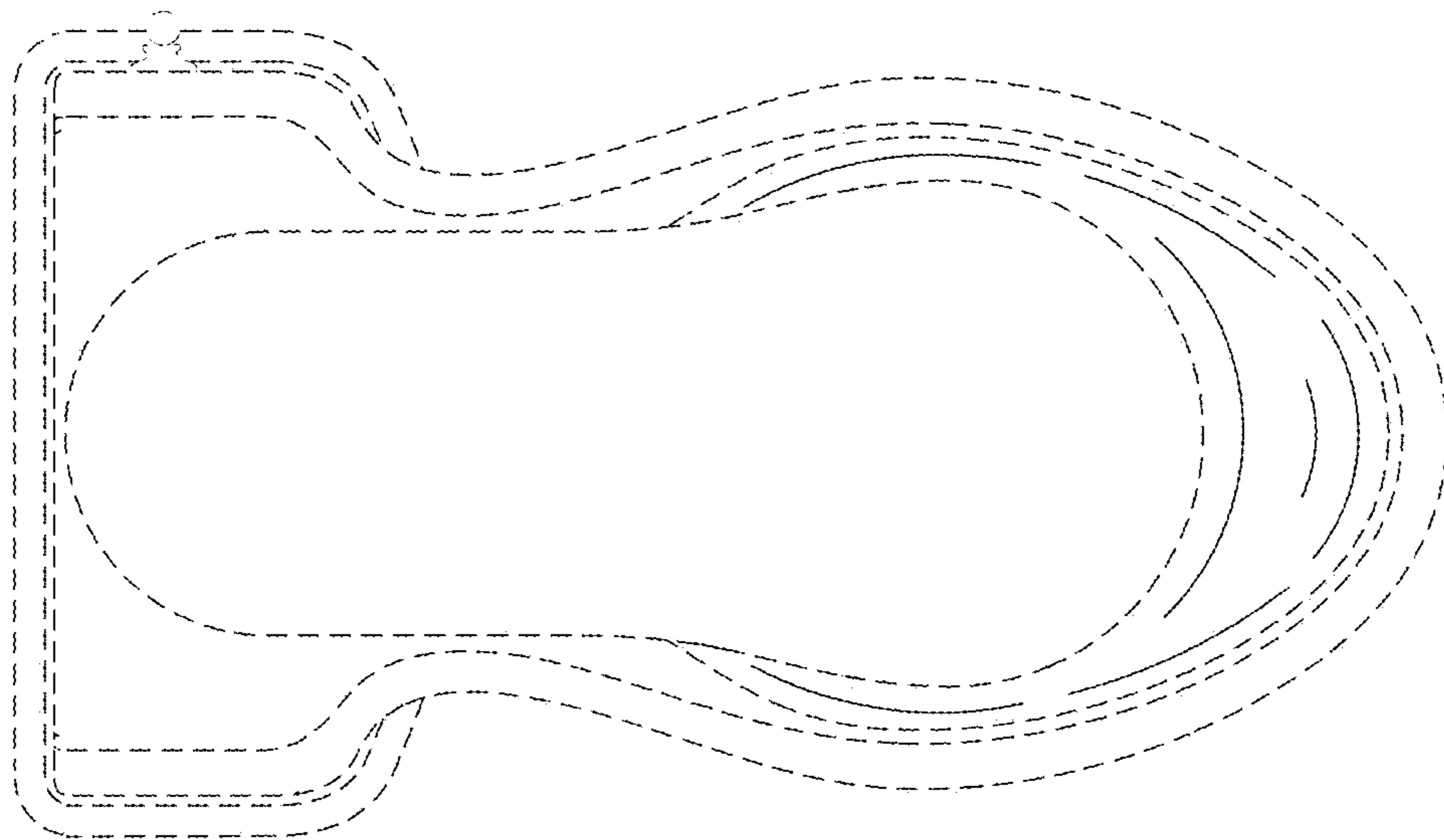


FIG. 5

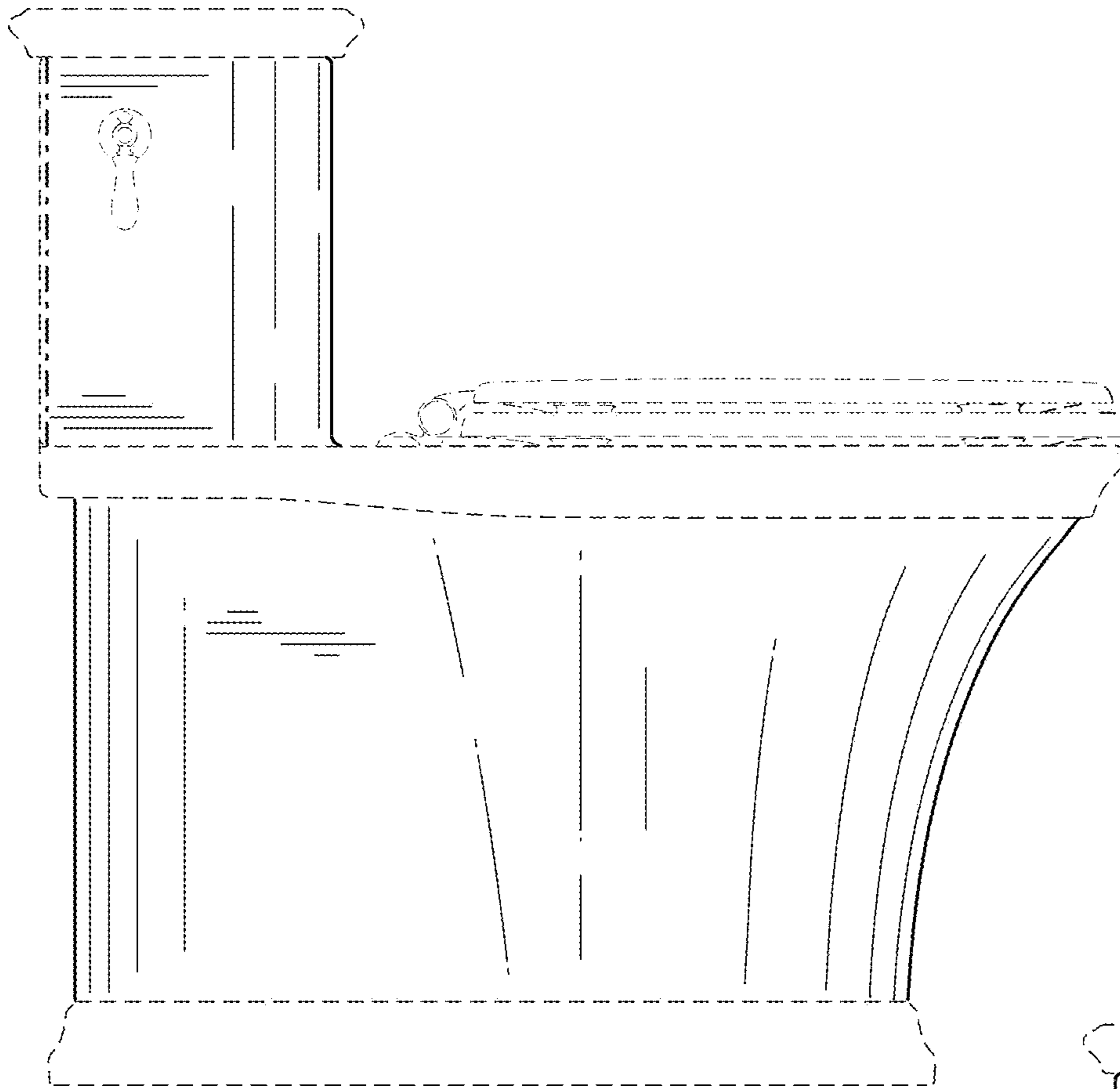


FIG. 6

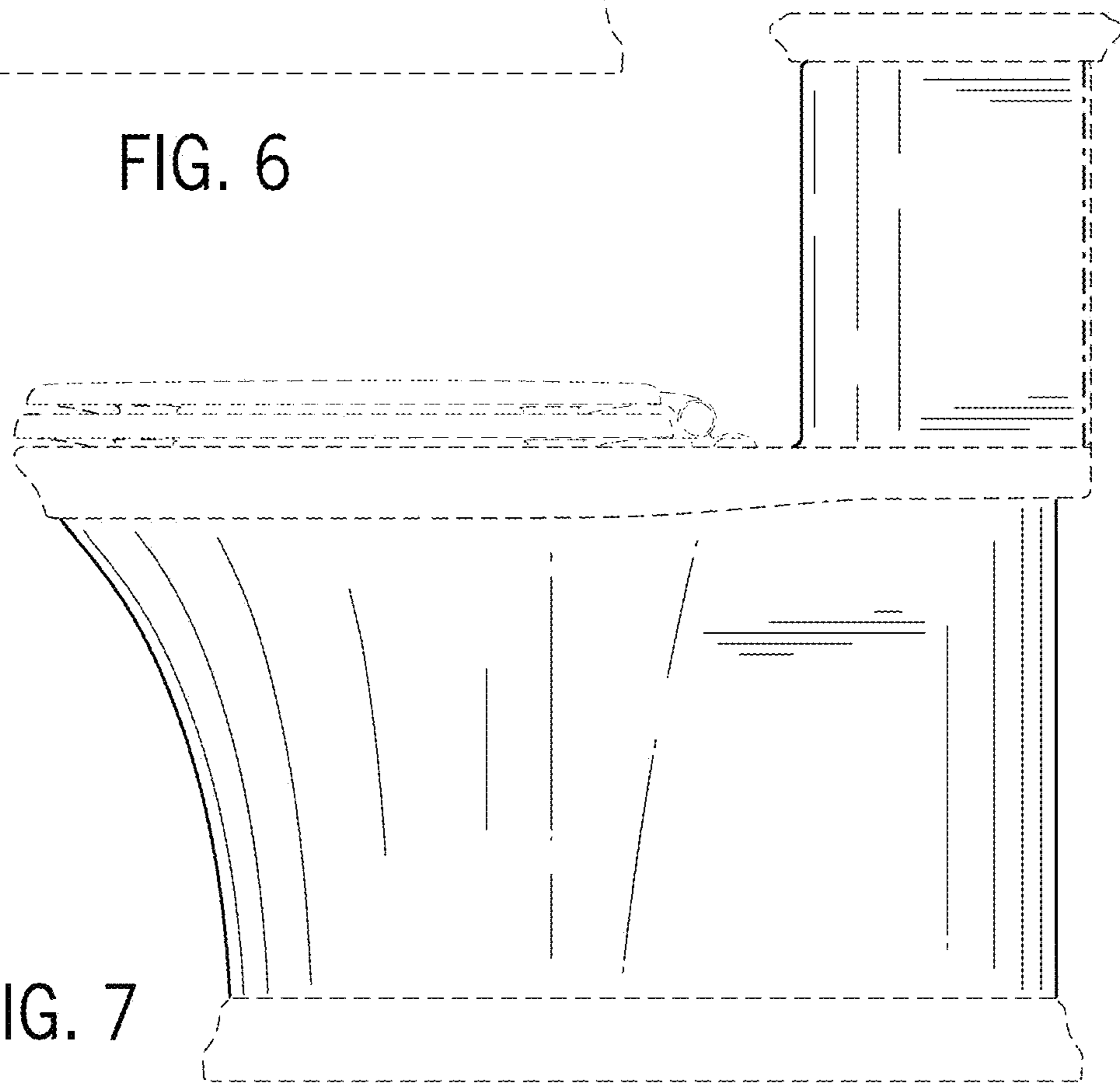


FIG. 7