



US00D888908S

(12) **United States Design Patent**
Kergoët

(10) **Patent No.:** **US D888,908 S**

(45) **Date of Patent:** **** Jun. 30, 2020**

(54) **TOILET**

(71) Applicant: **Kohler Co.**, Kohler, WI (US)

(72) Inventor: **François Kergoët**, Malakoff (FR)

(73) Assignee: **KOHLER CO.**, Kohler, WI (US)

(**) Term: **15 Years**

(21) Appl. No.: **29/648,008**

(22) Filed: **May 17, 2018**

(51) **LOC (12) Cl.** **23-02**

(52) **U.S. Cl.**
USPC **D23/309**

(58) **Field of Classification Search**
USPC D23/295-301, 303, 309, 311-313
CPC A47K 11/02; A47K 11/026; A47K 11/00;
A47K 13/00; E03D 11/18; E03D 5/10;
E03D 13/00

See application file for complete search history.

(56) **References Cited**

U.S. PATENT DOCUMENTS

D226,910 S	5/1973	Doman	
D309,939 S	8/1990	Yvetot	
D349,156 S	7/1994	Kohler	
D354,341 S	1/1995	Kohler	
D379,217 S	5/1997	Kergoët	
D455,202 S	4/2002	Soulier	
D496,444 S	9/2004	Kergoët	
D531,714 S	11/2006	Soulier	
D624,997 S	* 10/2010	Schonherr D23/301
D638,525 S	* 5/2011	Matsuura D23/301

D646,366 S	* 10/2011	Palomba D23/301
D654,993 S	* 2/2012	Ando D23/301
D657,031 S	4/2012	Bickerstaffe	
D764,033 S	* 8/2016	Chuk D23/301
D767,743 S	9/2016	Reid	
D782,634 S	3/2017	Reid	
D798,424 S	9/2017	Mesun	
D801,491 S	10/2017	Stevenson	
D802,105 S	11/2017	Stevenson	
D802,106 S	11/2017	Stevenson	
D807,479 S	* 1/2018	Chuk D23/301
D807,480 S	* 1/2018	Chuk D23/301

* cited by examiner

Primary Examiner — Brandon M Rosati

Assistant Examiner — John A Voytek

(74) *Attorney, Agent, or Firm* — Foley & Lardner LLP

(57) **CLAIM**

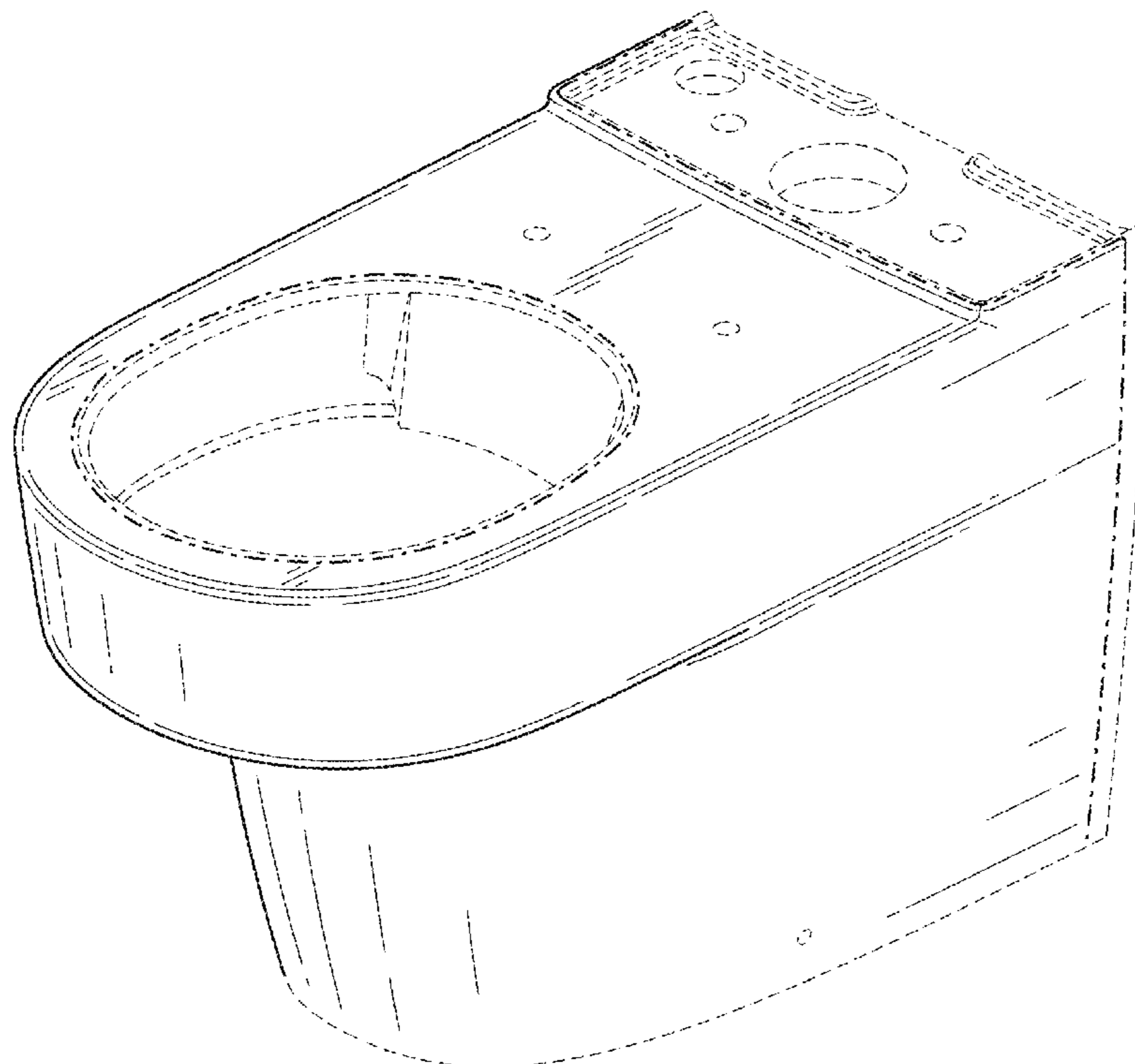
I claim the ornamental design for a toilet, as shown and described.

DESCRIPTION

FIG. 1 is a perspective view of a toilet;
 FIG. 2 is a front view of the toilet shown in FIG. 1;
 FIG. 3 is a rear view of the toilet shown in FIG. 1;
 FIG. 4 is a side view of the toilet shown in FIG. 1;
 FIG. 5 is another side view of the toilet shown in FIG. 1;
 FIG. 6 is a top view of the toilet shown in FIG. 1; and,
 FIG. 7 is a bottom view of the toilet shown in FIG. 1.

In the drawings, the broken lines depict unclaimed portions of the toilet. The dot and dashed lines represent a boundary between the claimed and the non-claimed portions and form no part of the claimed design.

1 Claim, 6 Drawing Sheets



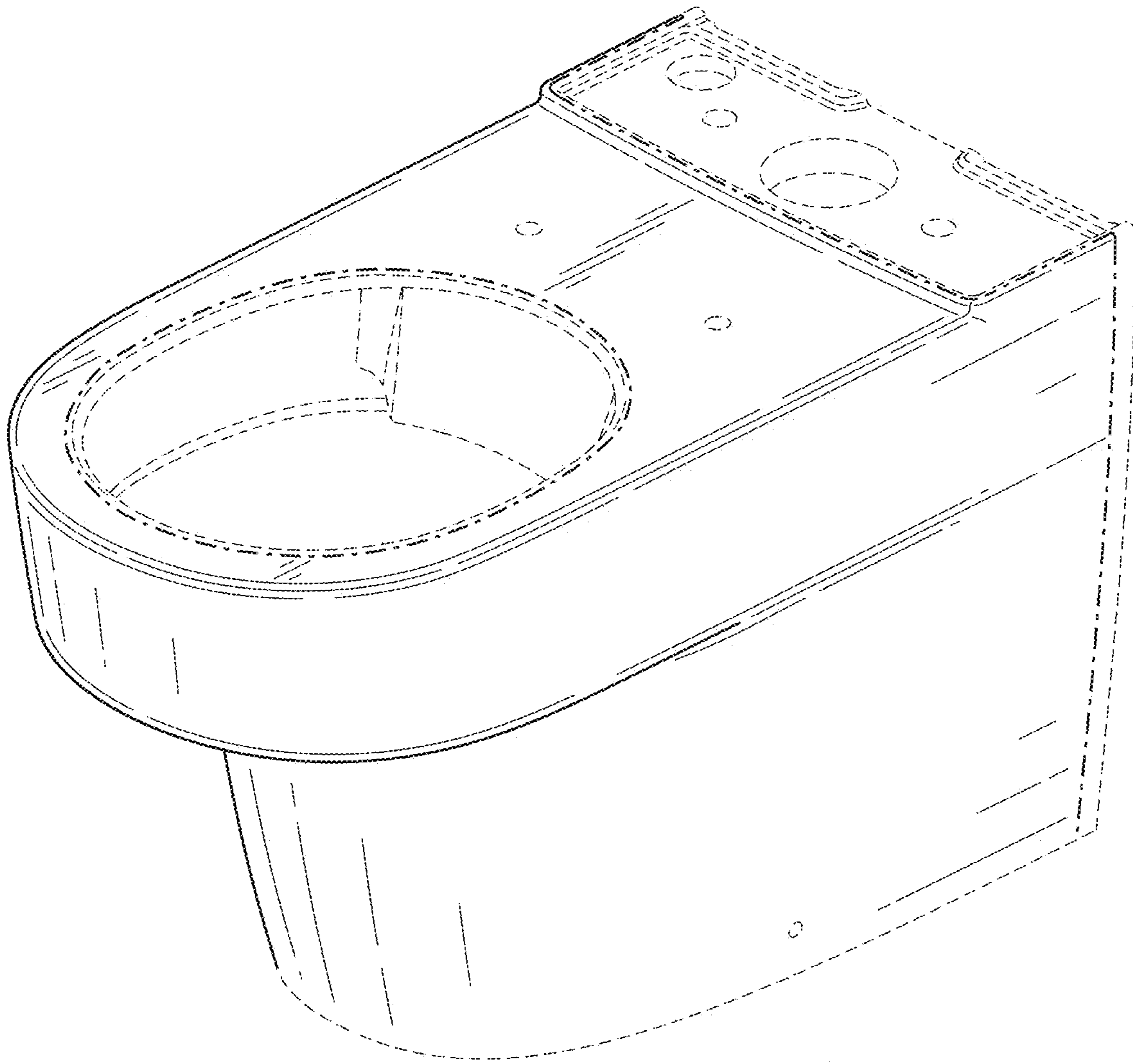


FIG. 1

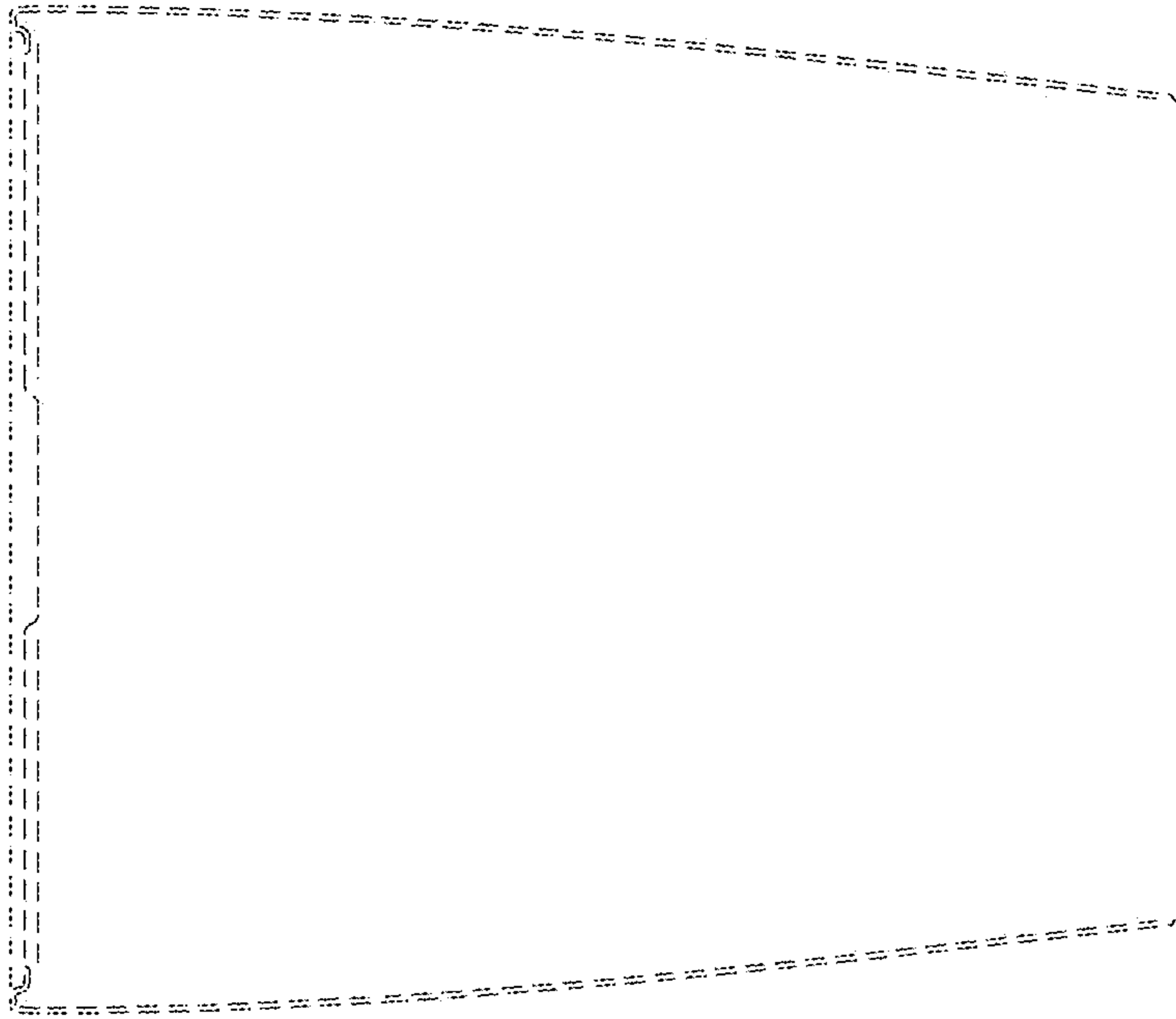


FIG. 3

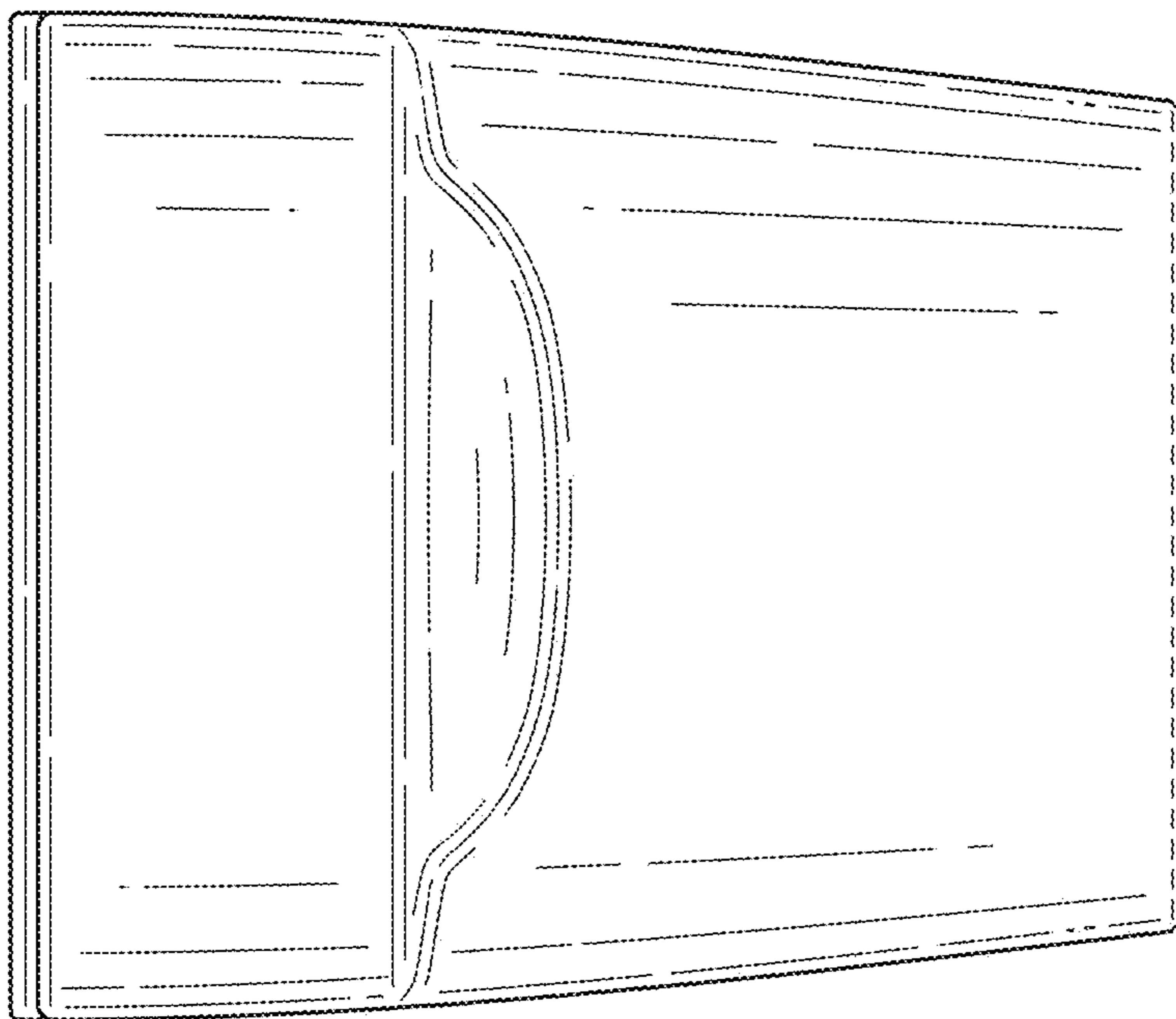


FIG. 2

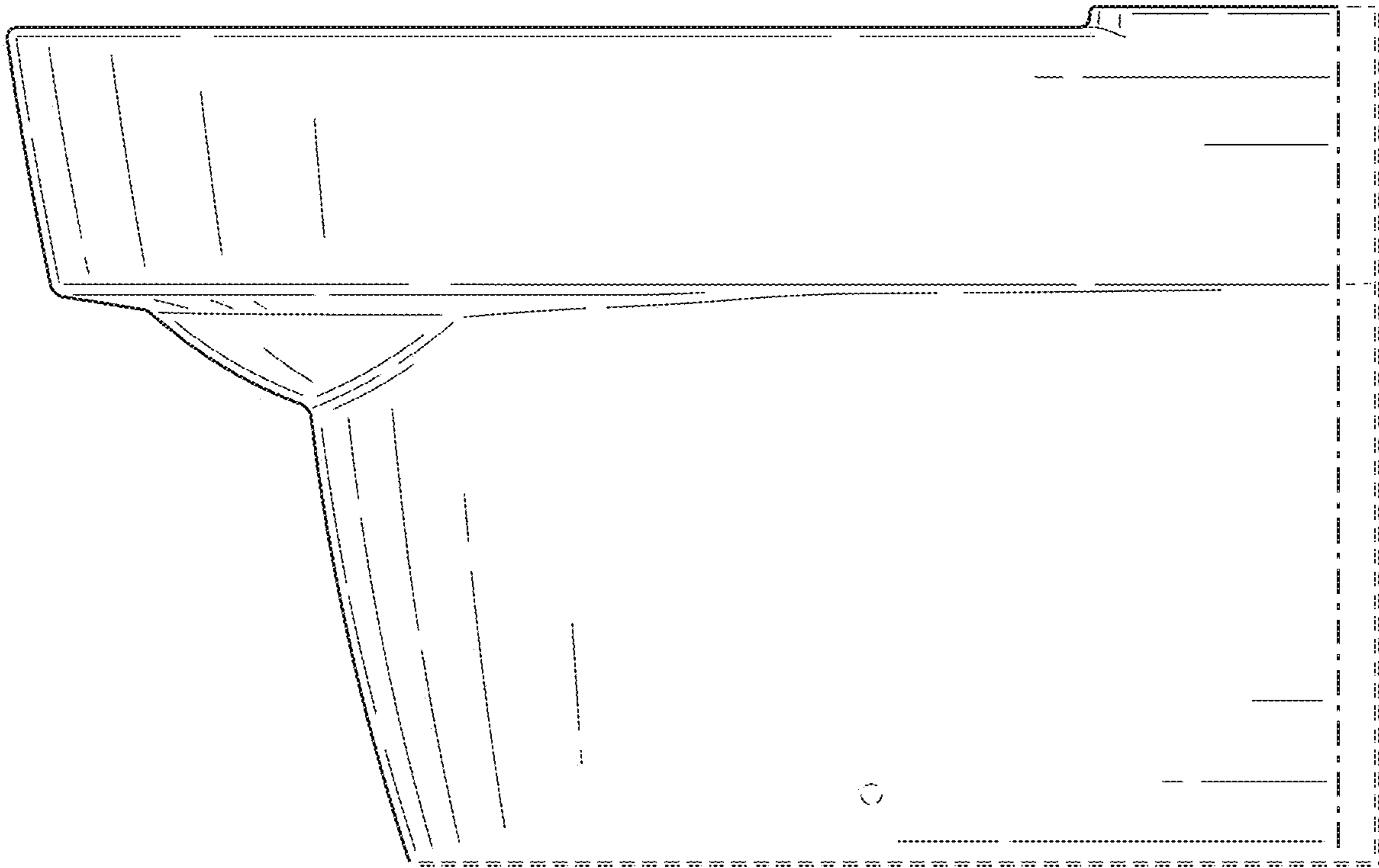


FIG. 4

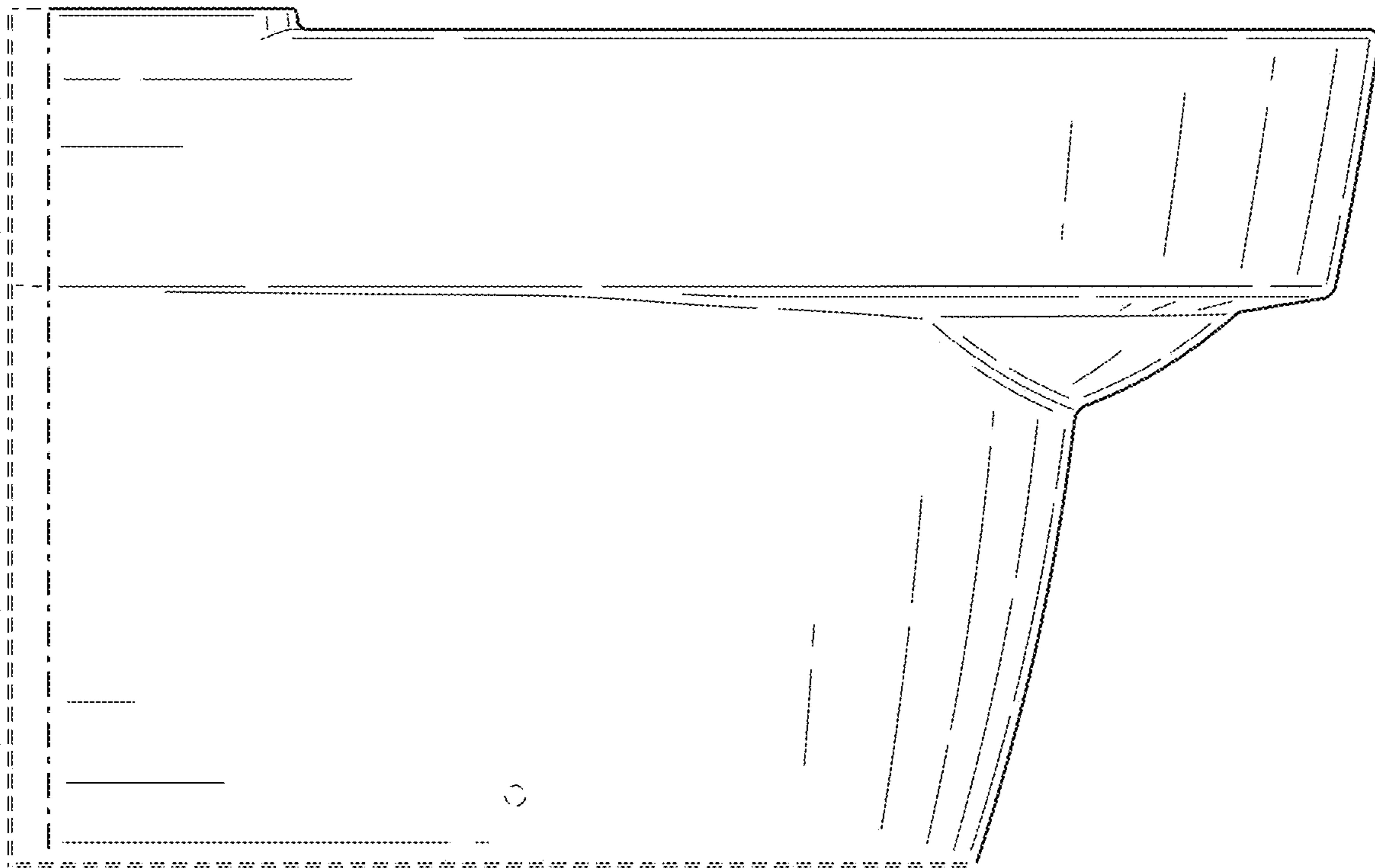


FIG. 5

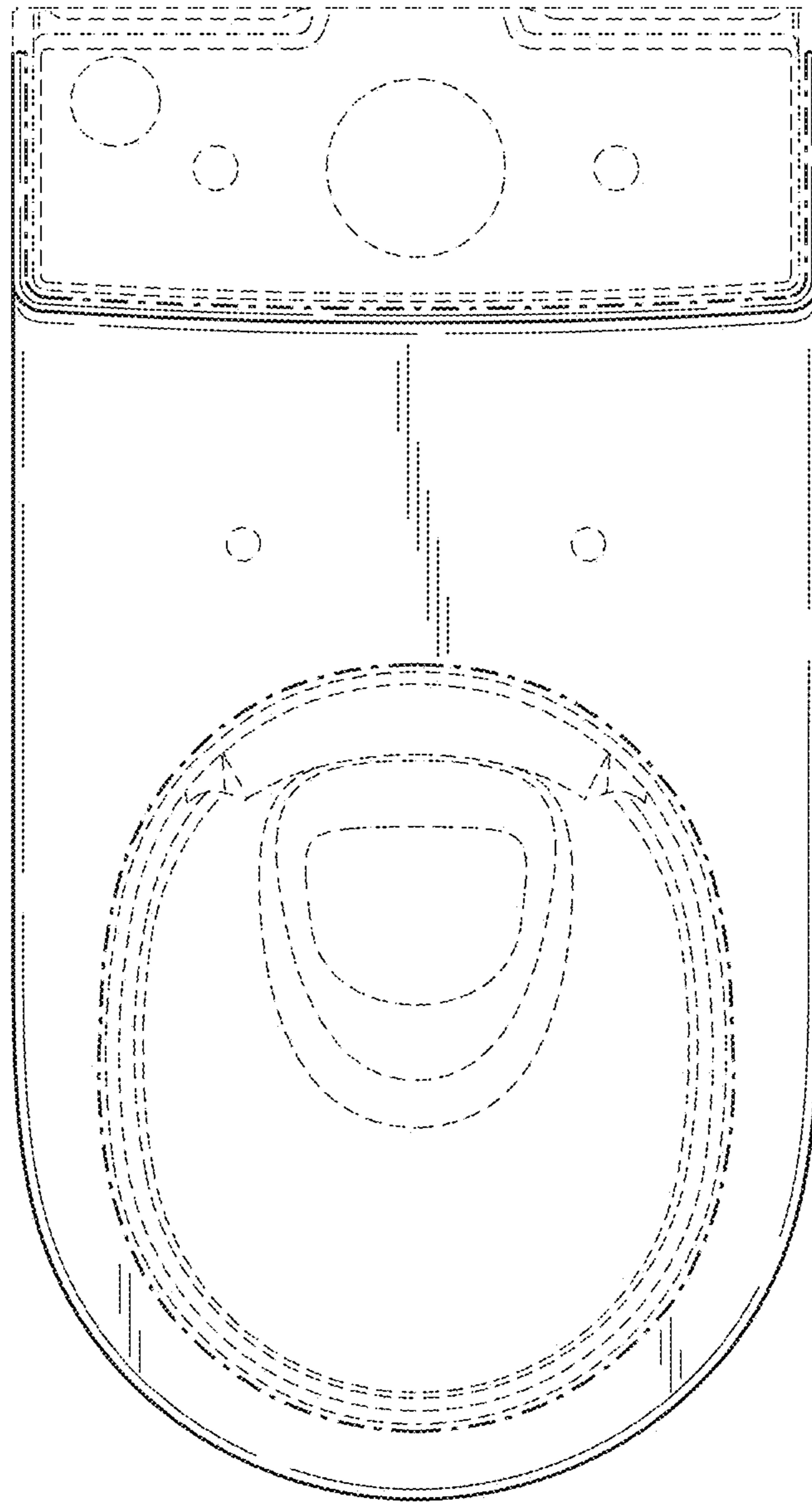


FIG. 6

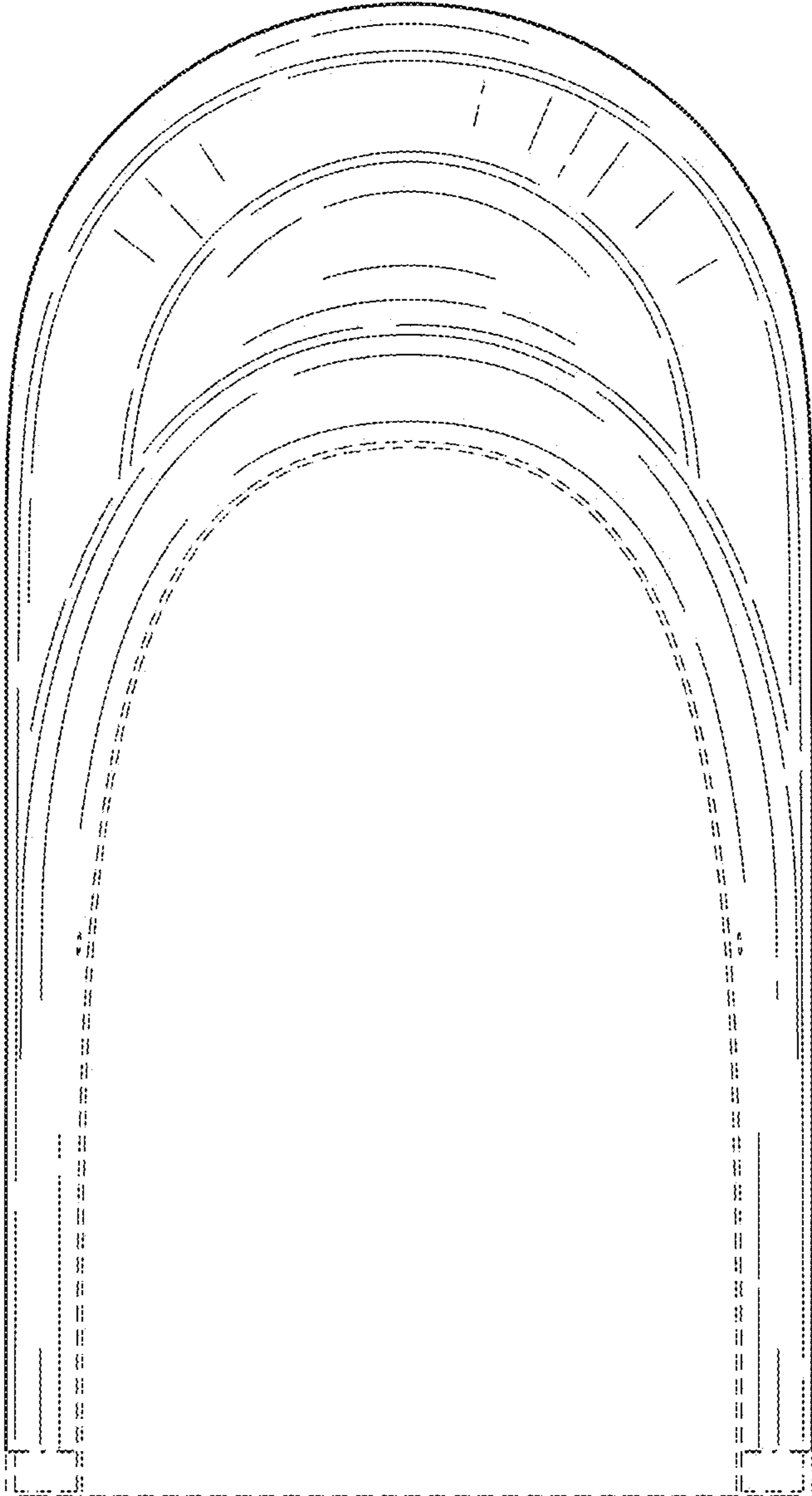


FIG. 7