



US00D888904S

(12) **United States Design Patent**  
**Tu**

(10) **Patent No.:** **US D888,904 S**

(45) **Date of Patent:** **\*\* Jun. 30, 2020**

- (54) **BATHTUB**
- (71) Applicant: **BEI YU INDUSTRIAL CO.**, Tainan (TW)
- (72) Inventor: **Wen-Chih Tu**, Tainan (TW)
- (73) Assignee: **Bei Yu Industrial Co.**, Tainan (TW)
- (\*\*) Term: **15 Years**
- (21) Appl. No.: **29/642,764**
- (22) Filed: **Apr. 2, 2018**
- (51) **LOC (12) Cl.** ..... **23-02**
- (52) **U.S. Cl.**  
USPC ..... **D23/277; D23/278**
- (58) **Field of Classification Search**  
USPC ..... D6/333; D23/270, 271, 275, 277, 278, D23/279, 280.1, 280.2, 280.3, 280.4, 304, D23/305, 307  
CPC ..... A47K 3/00; A47K 3/001; A47K 3/002; A47K 3/003; A47K 3/004; A47K 3/005; A47K 3/006; A47K 3/02; A47K 3/022; A47K 3/024; A47K 3/03; A47K 3/034; A47K 3/04; A47K 3/064; A47K 3/074; A47K 3/127  
See application file for complete search history.

- D694,867 S \* 12/2013 Quigley ..... D23/277
- D709,598 S \* 7/2014 Dupras ..... D23/280.1
- D724,707 S \* 3/2015 Murphy ..... D23/278
- D757,234 S \* 5/2016 Pereira ..... D23/278
- D794,167 S \* 8/2017 Burke ..... D23/277
- D847,956 S \* 5/2019 Kwak ..... D23/278
- 2003/0131407 A1\* 7/2003 Gutierrez ..... A47K 3/125  
4/581
- 2014/0259360 A1\* 9/2014 Yu ..... A47K 3/024  
4/572.1

**FOREIGN PATENT DOCUMENTS**

EM 005256559-0002 \* 5/2018

\* cited by examiner

*Primary Examiner* — Jasmine Mlinarcik

(74) *Attorney, Agent, or Firm* — Rosenberg, Klein & Lee

(57) **CLAIM**

The ornamental design for a bathtub, as shown and described.

**DESCRIPTION**

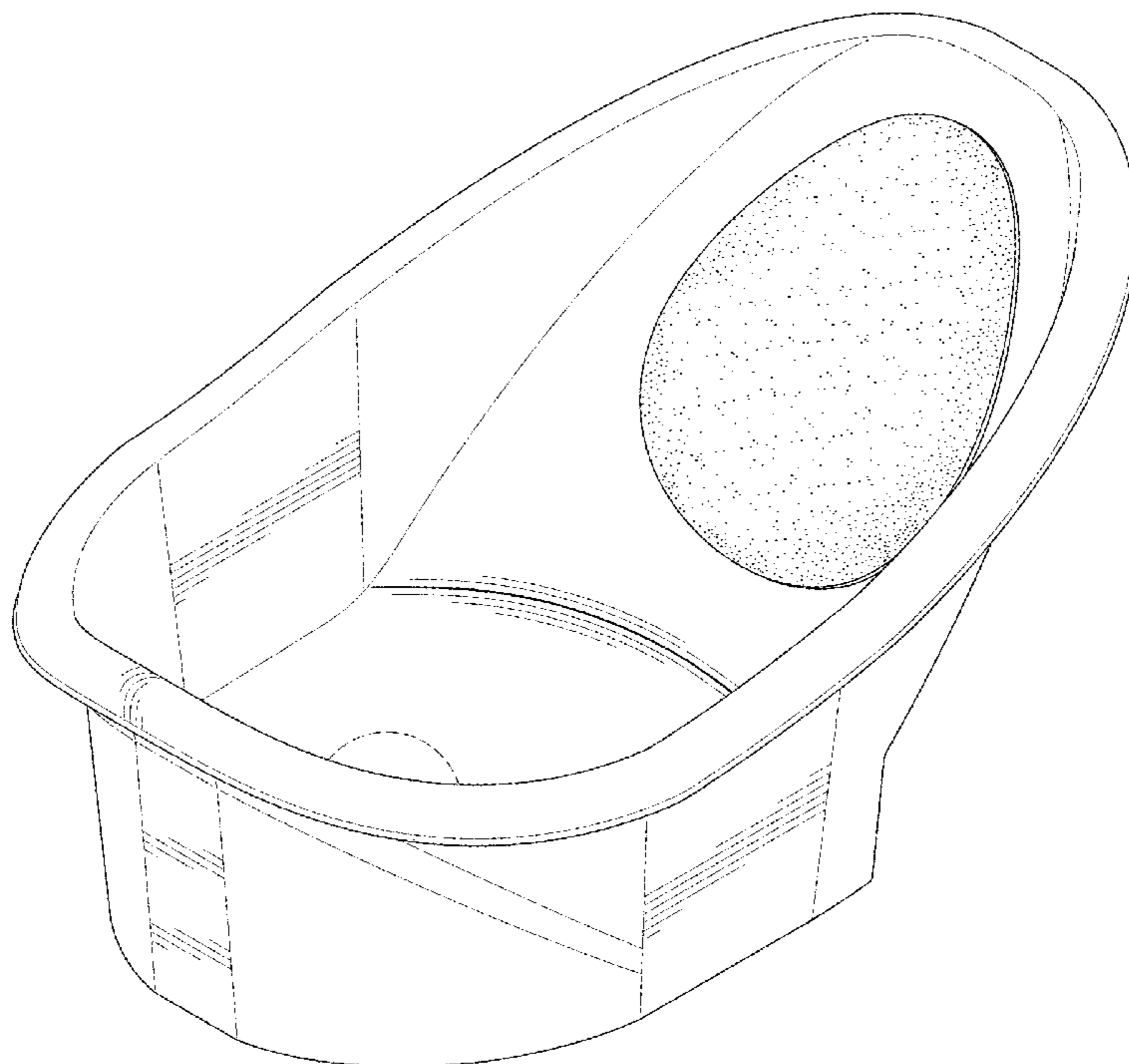
FIG. 1 is a perspective view of a bathtub showing my new design;  
 FIG. 2 is a front elevational view thereof;  
 FIG. 3 is a rear elevational view thereof;  
 FIG. 4 is a left side elevational view thereof;  
 FIG. 5 is a right side elevational view thereof;  
 FIG. 6 is a top plan view thereof; and,  
 FIG. 7 is a bottom plan view thereof.  
 The broken lines depict portions of the bathtub that form no part of the claimed design.

**1 Claim, 7 Drawing Sheets**

(56) **References Cited**

**U.S. PATENT DOCUMENTS**

- D350,597 S \* 9/1994 Wise ..... D23/278
- D469,860 S \* 2/2003 Riemer ..... D23/278
- D546,925 S \* 7/2007 Bruce ..... D23/277
- D619,225 S \* 7/2010 Tu ..... D23/278
- D688,474 S \* 8/2013 Tu ..... D6/333



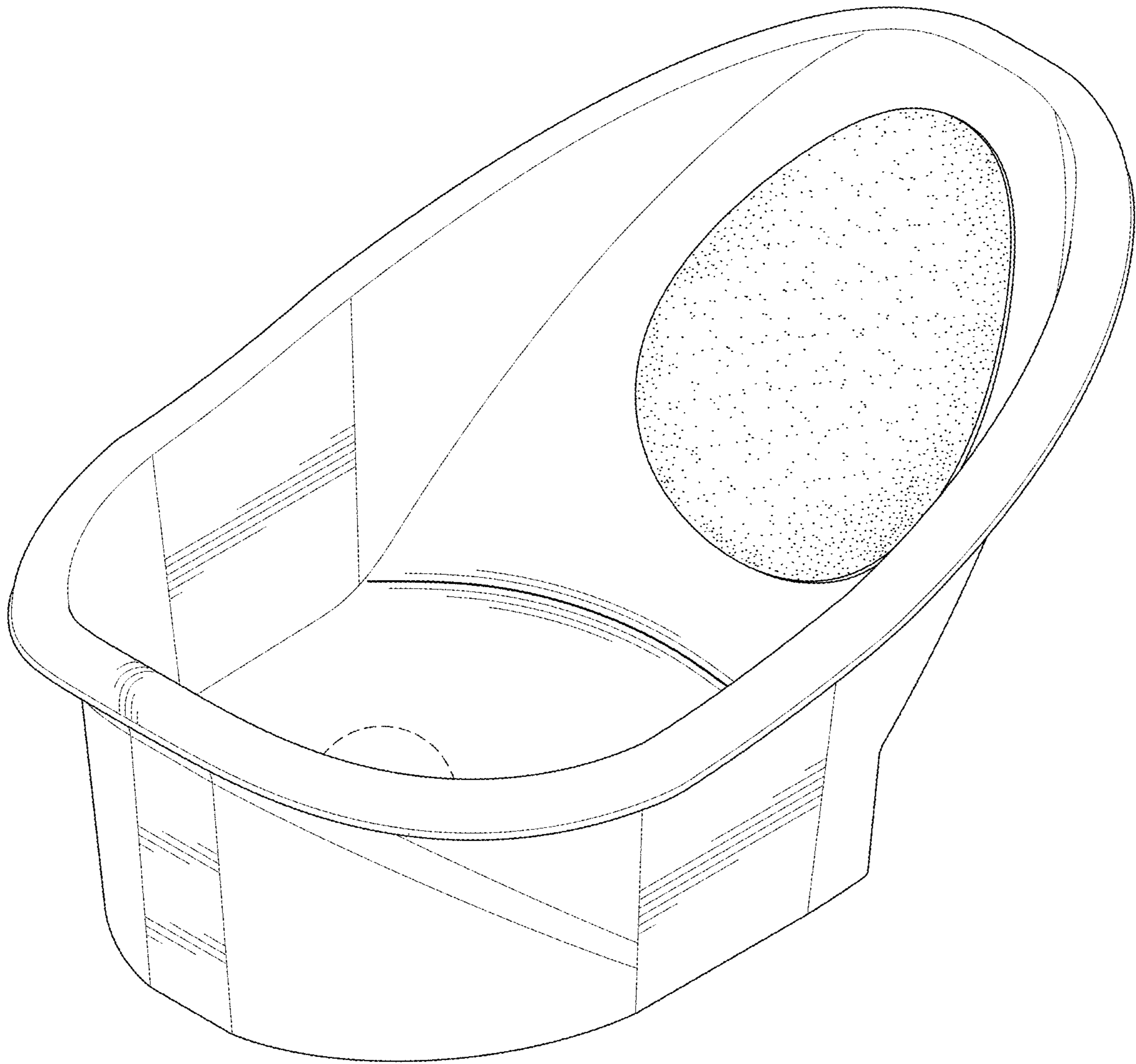


FIG. 1

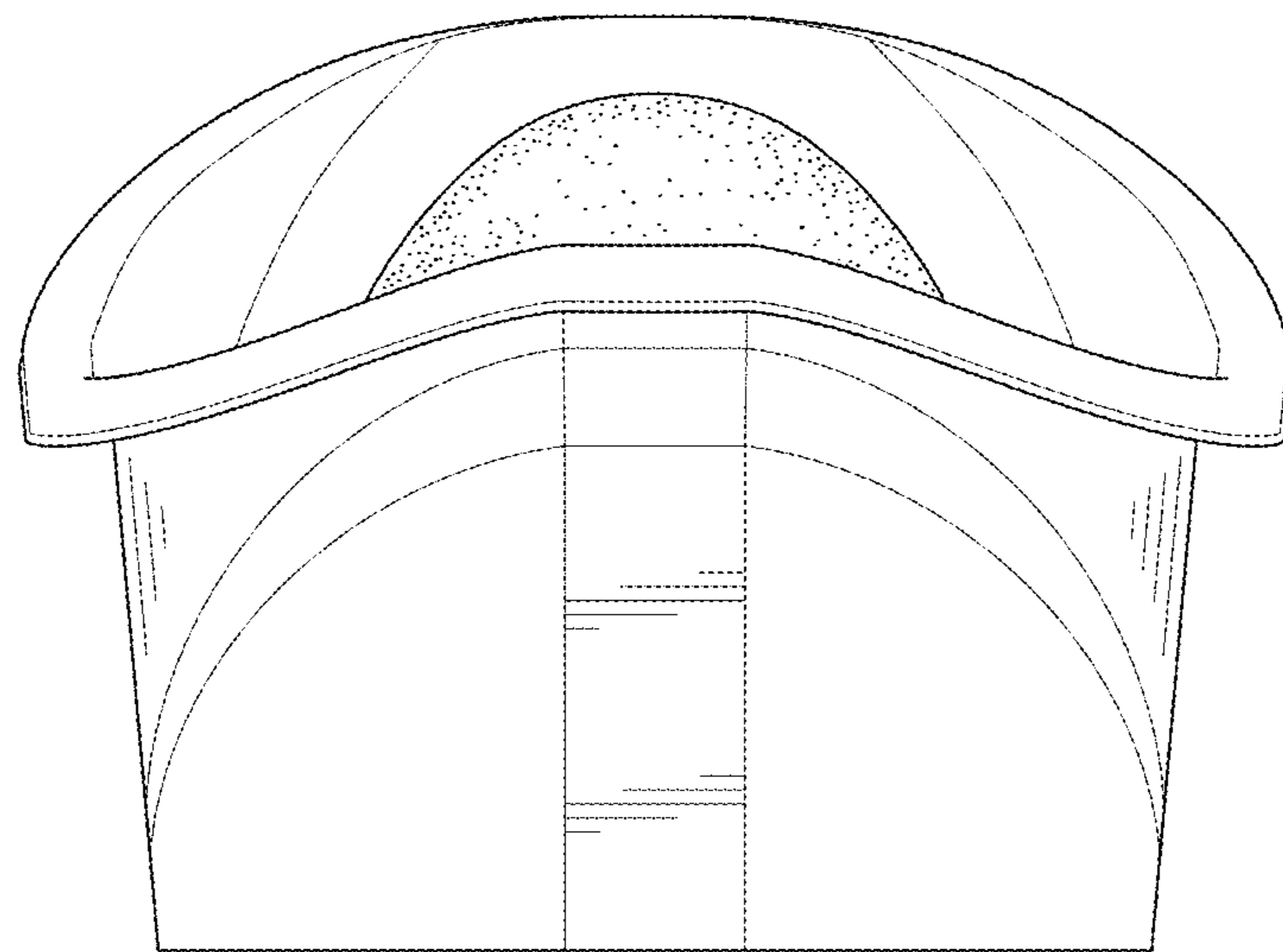


FIG. 2

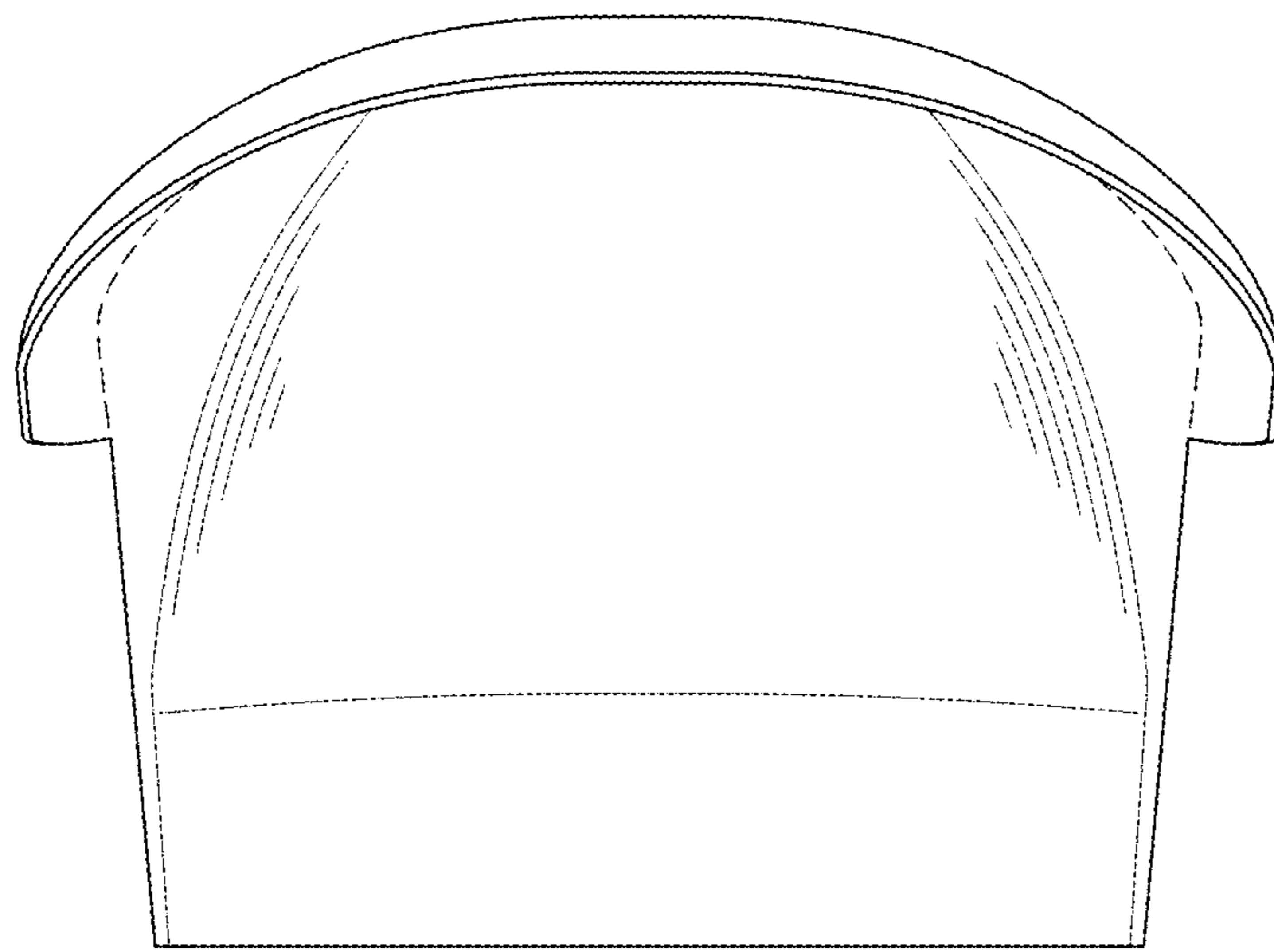


FIG. 3

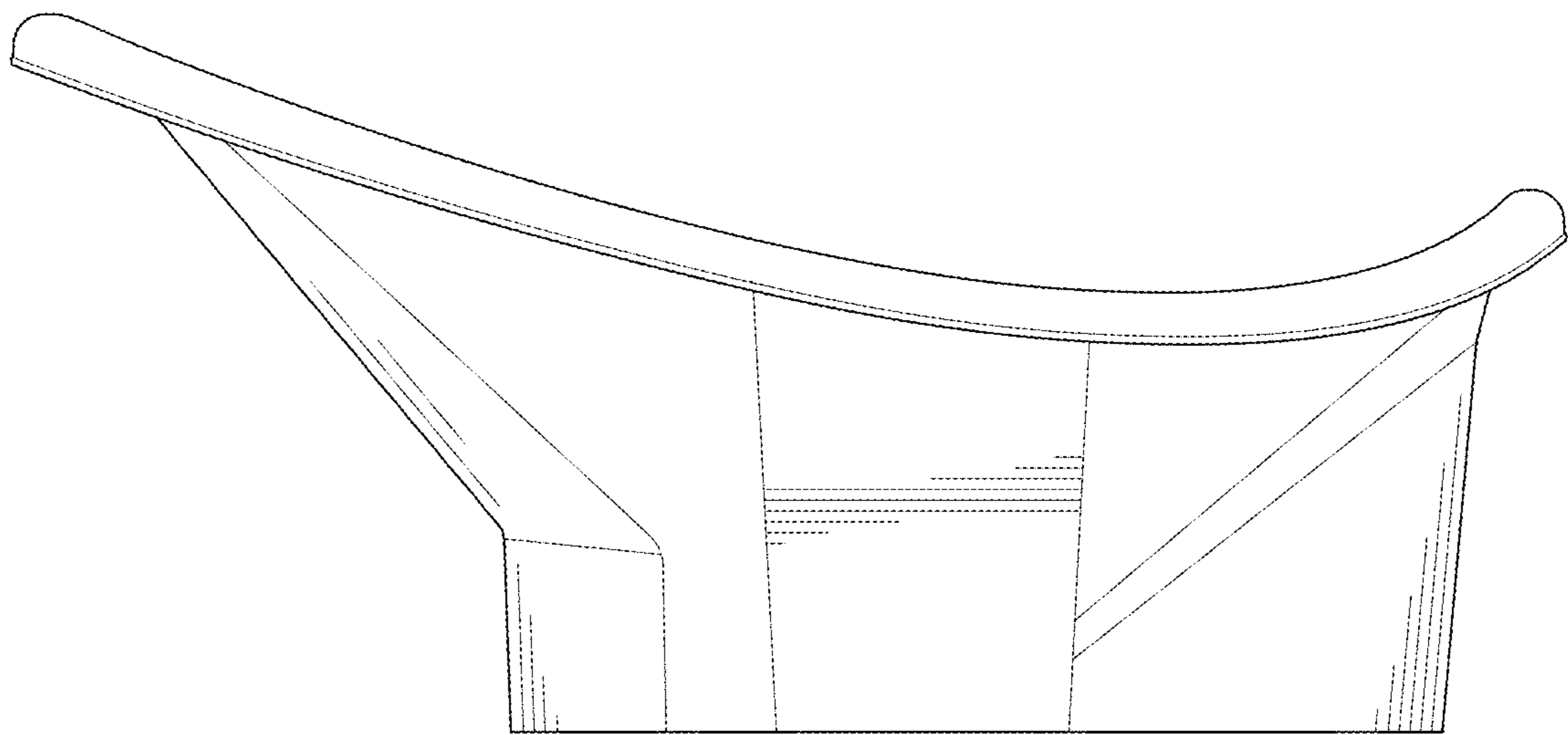


FIG. 4

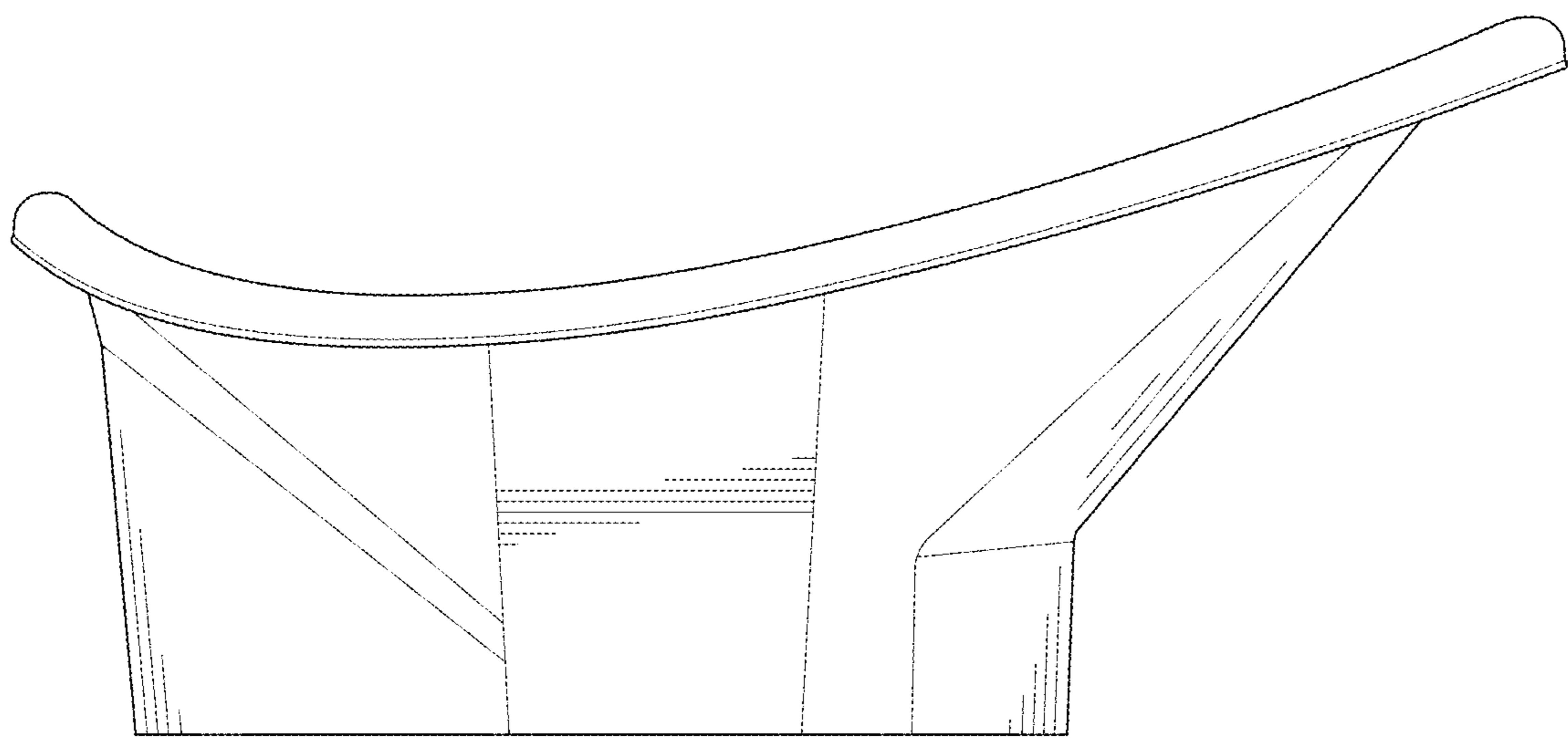


FIG. 5

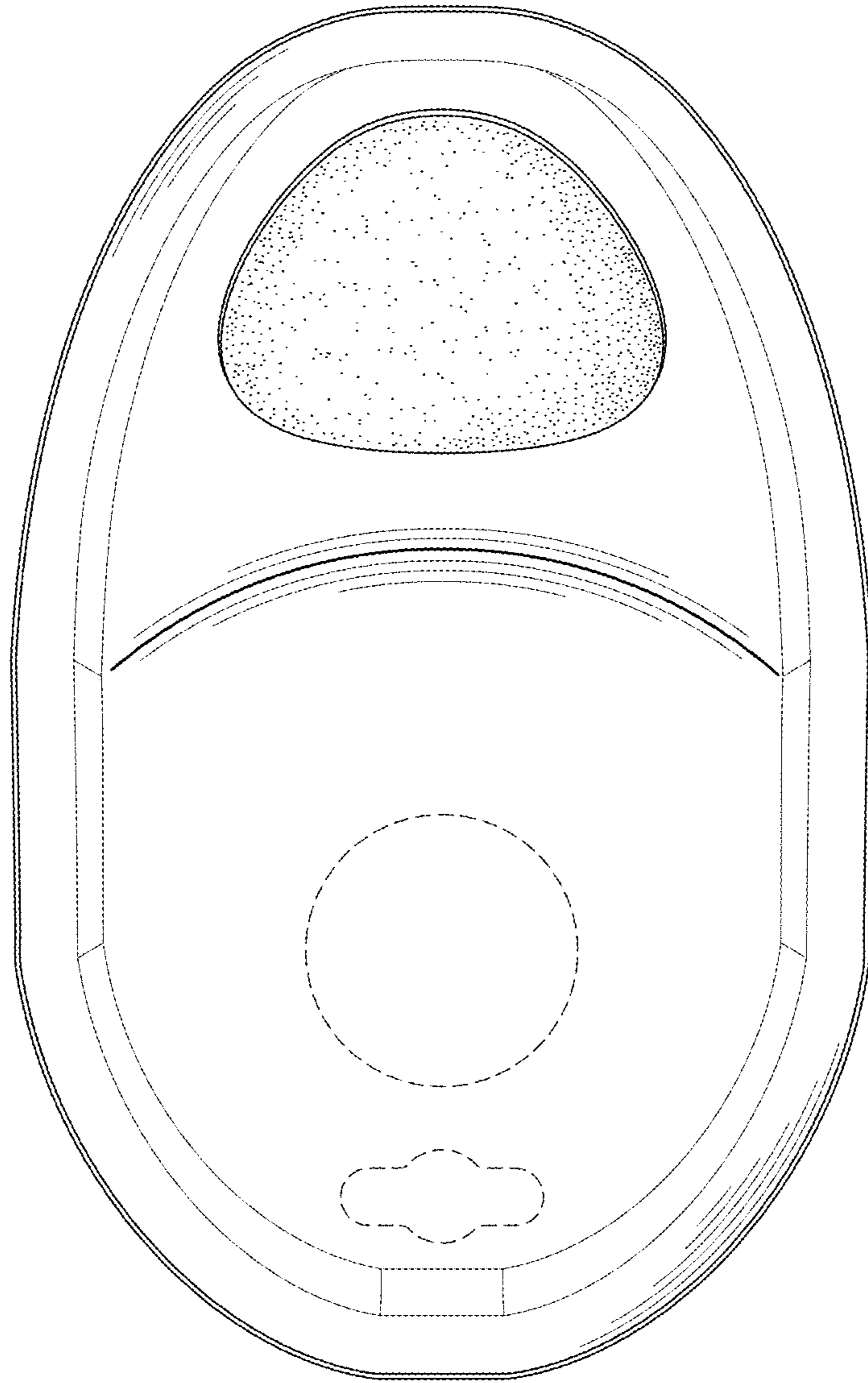


FIG. 6

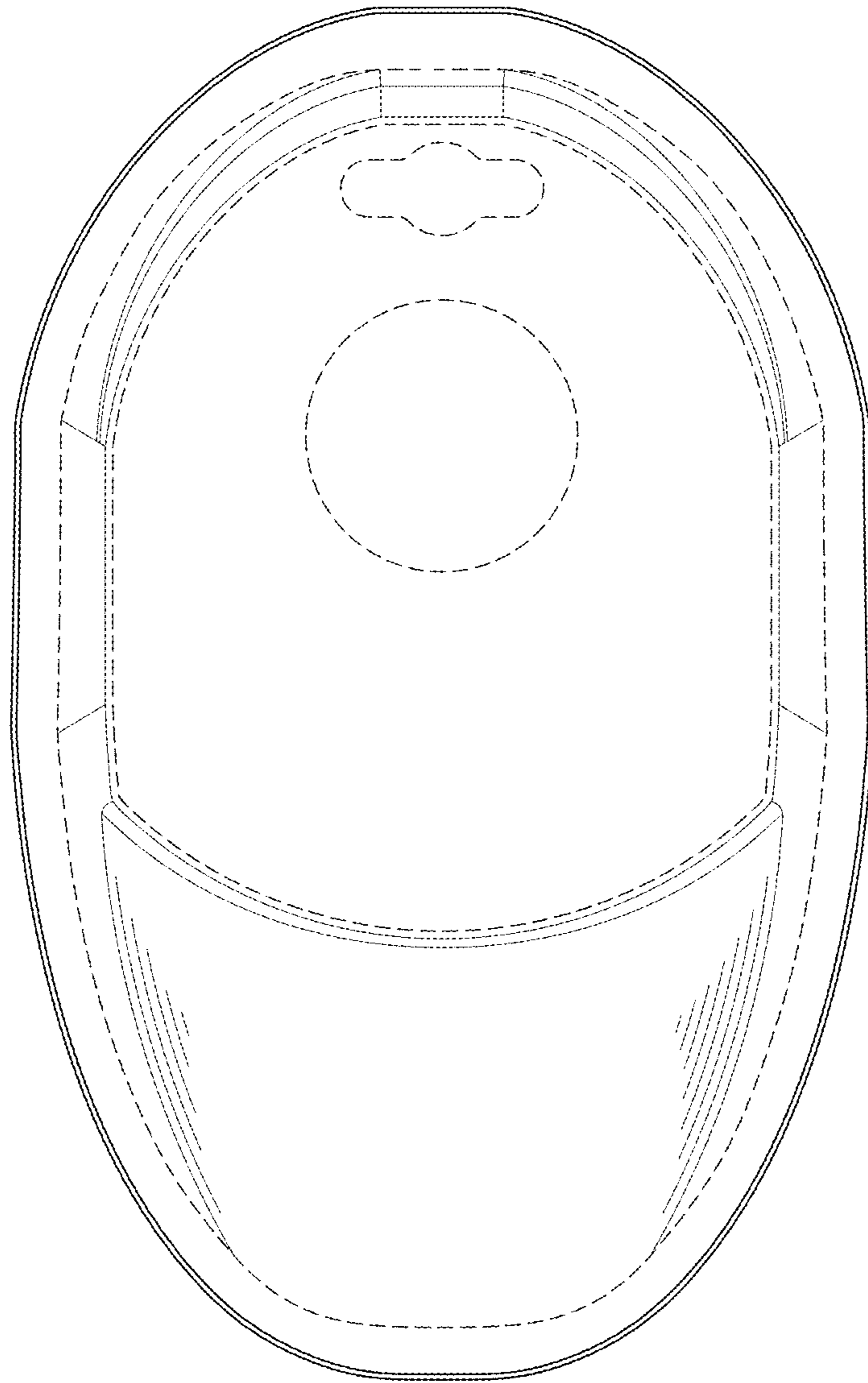


FIG. 7