



US00D888902S

(12) **United States Design Patent** (10) **Patent No.:** **US D888,902 S**
Lee (45) **Date of Patent:** **** Jun. 30, 2020**

(54) **FIRE PIPE**
(71) Applicant: **Sang Heon Lee**, Seoul (KR)
(72) Inventor: **Sang Heon Lee**, Seoul (KR)
(**) Term: **15 Years**
(21) Appl. No.: **29/676,323**
(22) Filed: **Jan. 10, 2019**

5,063,616 A * 11/1991 Bresnahan E03C 1/284
137/247.49
D354,553 S * 1/1995 Lange D23/263
D479,314 S * 9/2003 Trapp D23/264
D483,097 S * 12/2003 Napoli D23/249
D837,951 S * 1/2019 Morlet D23/266
2003/0127854 A1 * 7/2003 Lehnhardt F16L 21/06
285/181
2016/0237666 A1 * 8/2016 Hancosky E03C 1/282
2016/0272050 A1 * 9/2016 Shigematsu F24F 13/22

(30) **Foreign Application Priority Data**

Jul. 13, 2018 (KR) 30-2018-0032486

(51) **LOC (12) Cl.** **23-01**
(52) **U.S. Cl.**
USPC **D23/266; D23/263**

(58) **Field of Classification Search**
USPC D23/259, 268, 262, 266, 213-214,
D23/263-265; 138/39, 104, 106, 109, 38,
138/89-90; 137/198, 210; 403/104;
285/125.1, 126.1, 129.1, 129.2, 132.1,
285/147.1, 148.19, 179, 179.1, 180, 181,
285/184-185; 4/256.1, 679, 681, 685,
4/686, 687, 696
CPC F16L 41/00
See application file for complete search history.

(56) **References Cited**

U.S. PATENT DOCUMENTS

D121,718 S * 7/1940 Irmischer D23/264
2,452,367 A * 10/1948 Gangloff E03C 1/126
219/201
3,076,667 A * 2/1963 Klingler F16L 27/0865
285/98
4,570,673 A * 2/1986 Kendrick E21B 21/02
137/615
D307,047 S * 4/1990 Watson D23/266

OTHER PUBLICATIONS

Applicant, as of the date of this submission, is not aware of any prior art devices or documents which are believed material to the invention as claimed. This document is being supplied for informational purposes to the Examiner as of the submission date in accordance with the duty of disclosure, Supplemental statements will be provided as necessary.

* cited by examiner

Primary Examiner — Amy C Wierenga
(74) *Attorney, Agent, or Firm* — Emerson Thomson
Bennett, LLC; Daniel A. Thomson

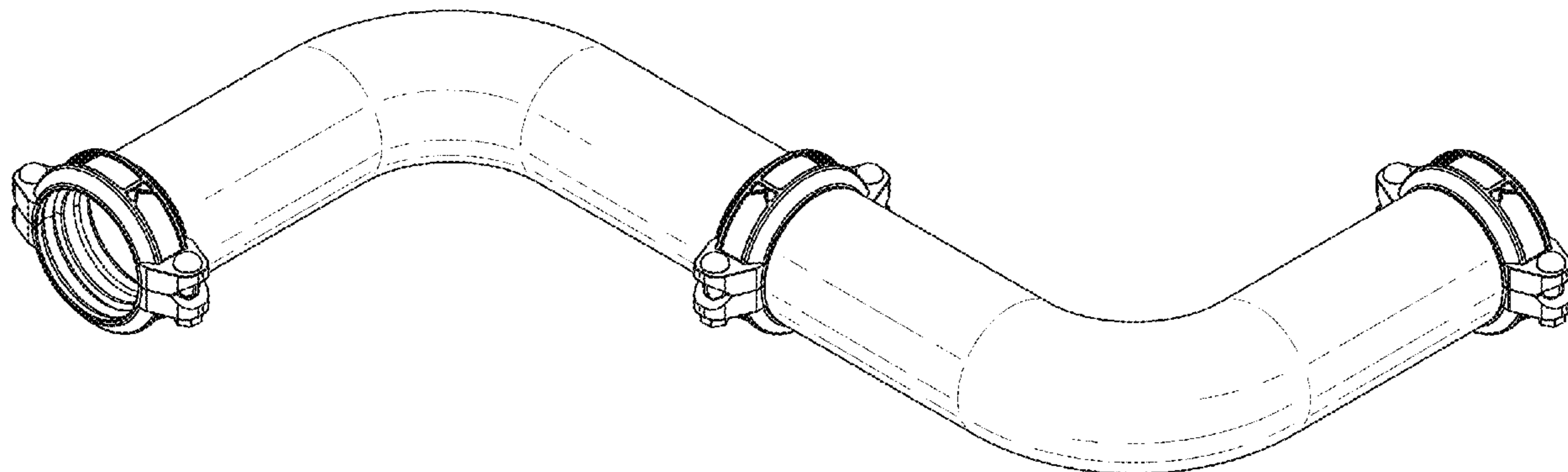
(57) **CLAIM**

The ornamental design for a fire pipe, as shown and described.

DESCRIPTION

FIG. 1 is a perspective view of the fire pipe;
FIG. 2 is a front view;
FIG. 3 is a rear view;
FIG. 4 is a left side view;
FIG. 5 is a right side view;
FIG. 6 is a top plan view; and,
FIG. 7 is a bottom view.

1 Claim, 5 Drawing Sheets



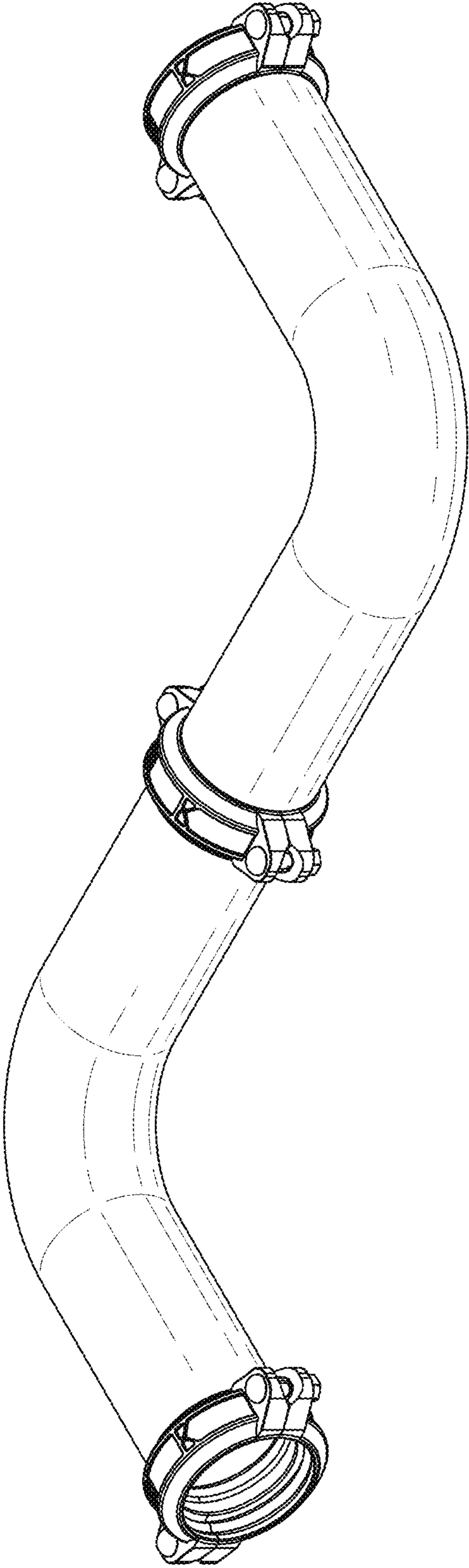


FIG. 1

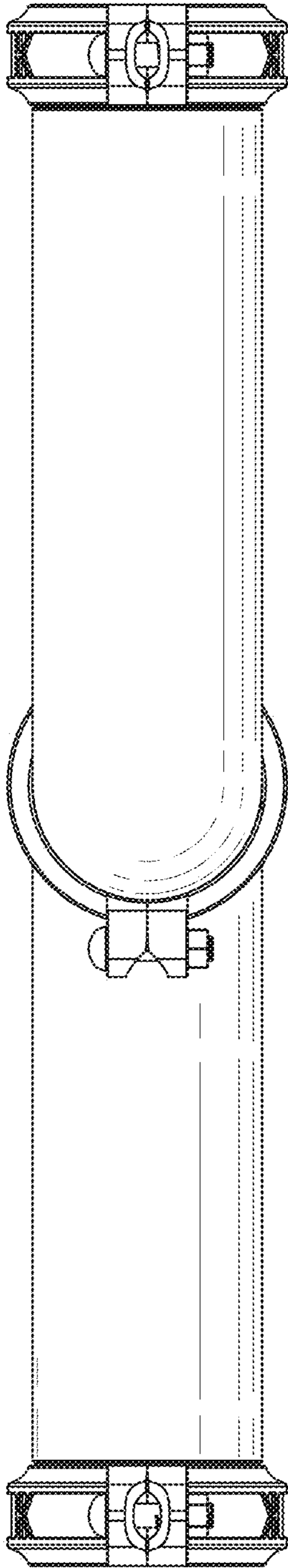


FIG. 2

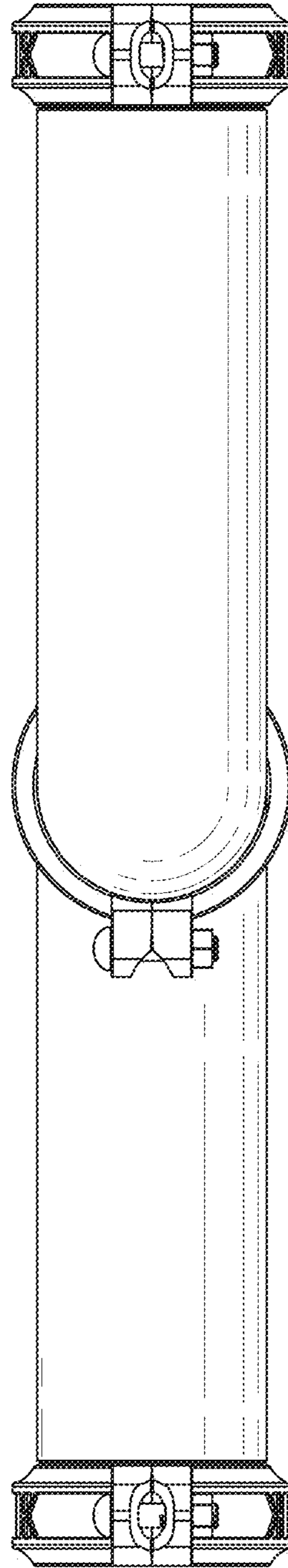


FIG. 3

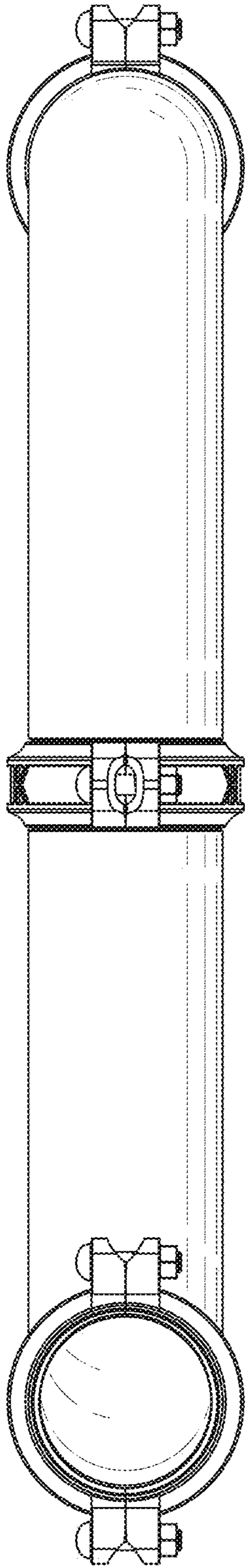


FIG. 4

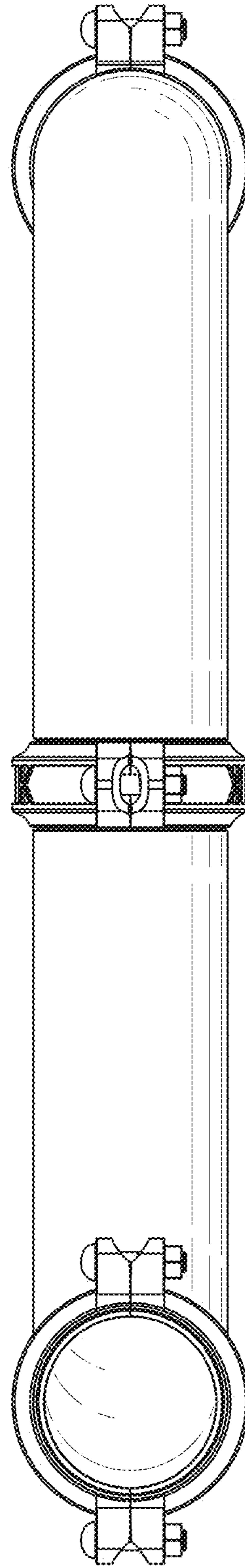


FIG. 5

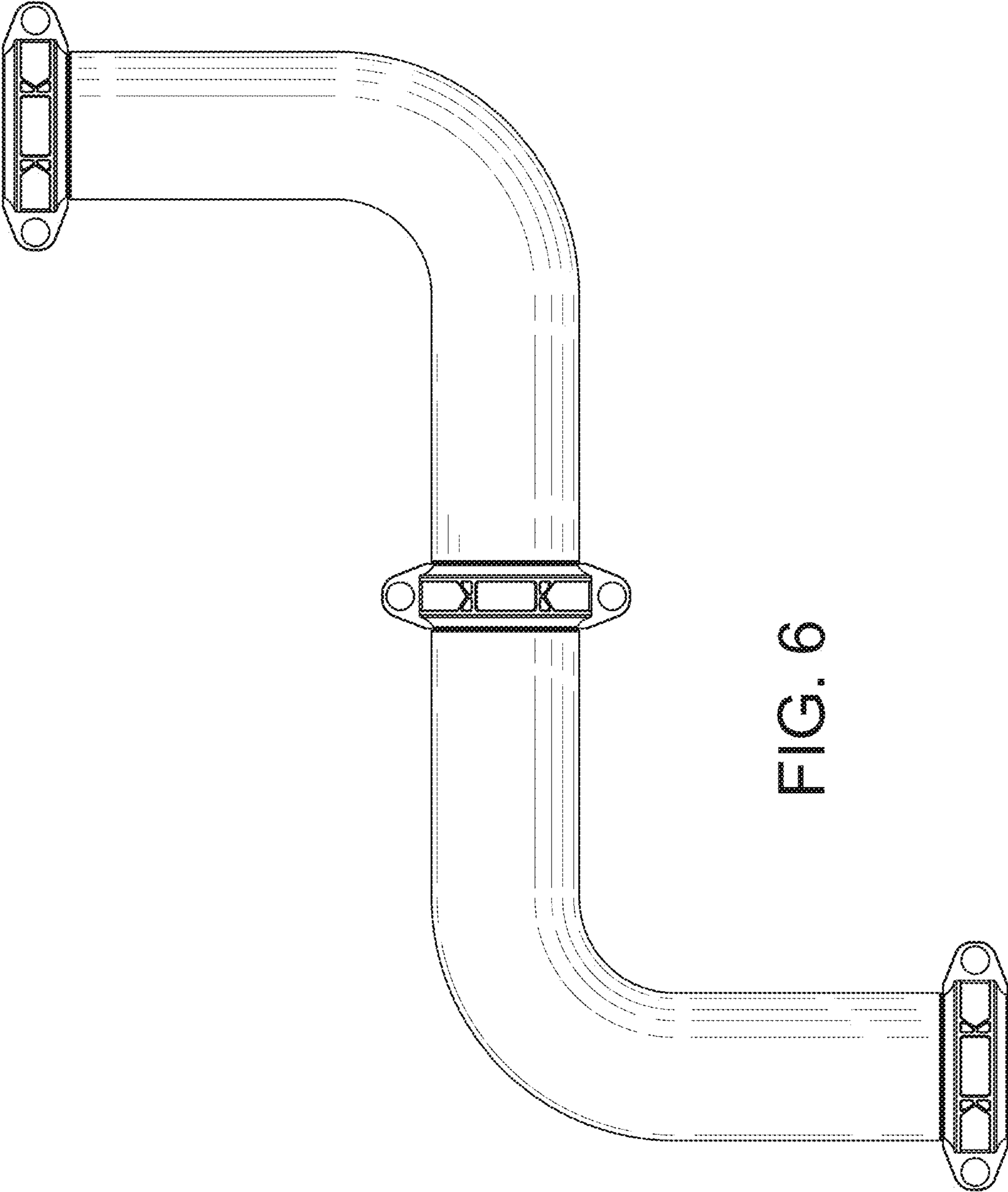


FIG. 6

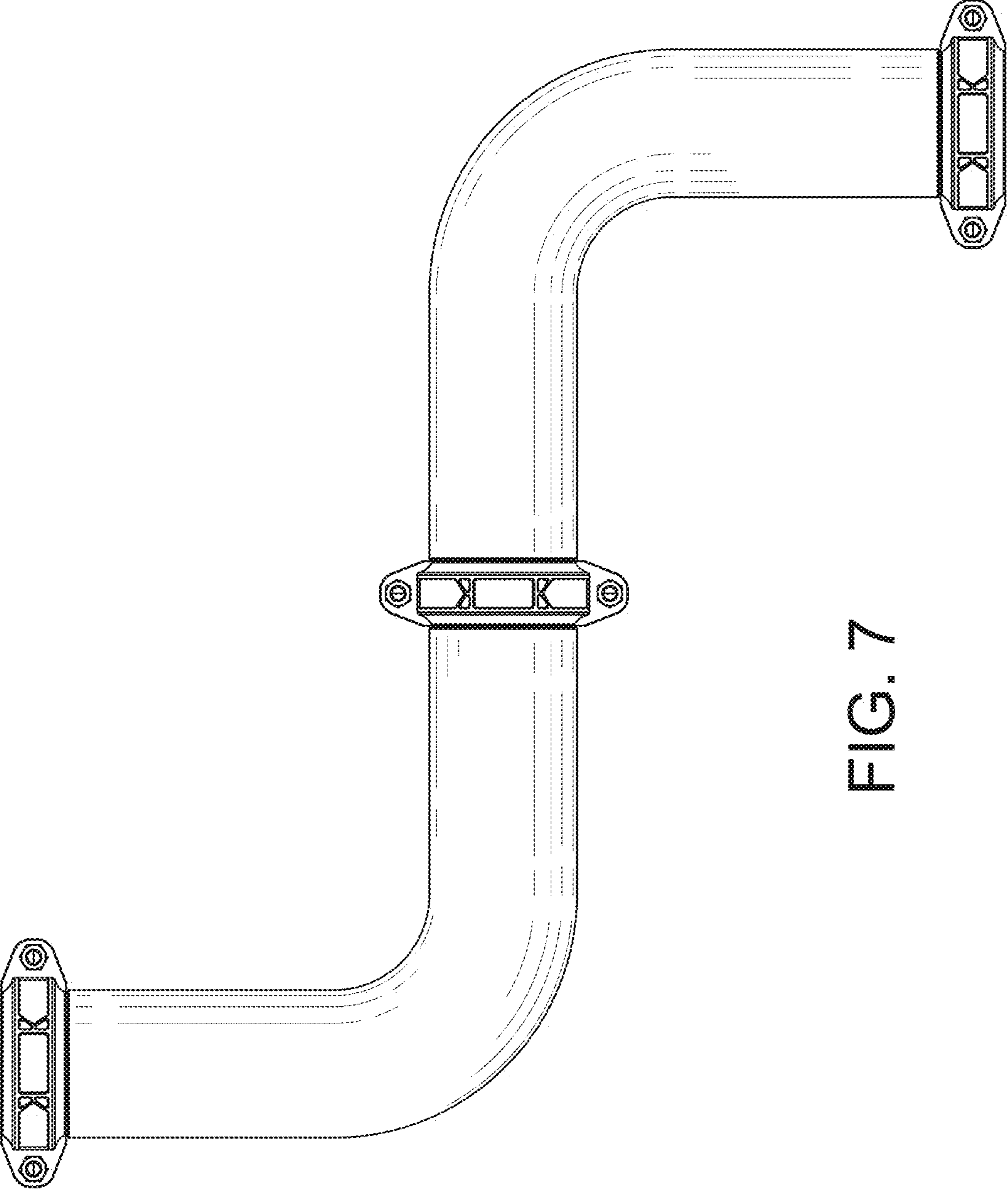


FIG. 7