



US00D888901S

(12) **United States Design Patent**
Simon et al.

(10) **Patent No.:** **US D888,901 S**

(45) **Date of Patent:** **** Jun. 30, 2020**

(54) **FITTING**

CPC F16L 21/08
See application file for complete search history.

(71) Applicant: **IPEX TECHNOLOGIES INC.**,
Oakville (CA)

(56) **References Cited**

(72) Inventors: **Jis Simon**, Brampton (CA); **Filippo Martino**, Oakville (CA); **Ivan Lee Stiehl**, Burlington (CA); **James Bruce Anthony Campbell**, Mississauga (CA); **Raymond George Puache**, Toronto (CA); **Paul Agapito**, Toronto (CA); **Qing Li**, Oakville (CA)

U.S. PATENT DOCUMENTS

D140,617 S 3/1945 Rocic
4,111,464 A 9/1978 Asano et al.
4,172,607 A * 10/1979 Norton F16L 21/005
285/236

(Continued)

FOREIGN PATENT DOCUMENTS

EP 0 397 942 A1 11/1990

(73) Assignee: **IPEX TECHNOLOGIES INC.**,
Mississauga (CA)

OTHER PUBLICATIONS

(**) Term: **15 Years**

IPEX-Kwikon 189671 KC30 Non-Metallic ENT Snap-On Coupling Fitting; Amaxon First Available Date Jan. 2, 2014; Visited Online Apr. 13, 2020; <https://www.amazon.com/Ipex-Kwikon-Non-Metallic-Coupling-Fitting-30-Pack/dp/B07M964TFJ> (Year: 2014).*

(Continued)

(21) Appl. No.: **29/717,632**

Primary Examiner — Amy C Wierenga

(22) Filed: **Dec. 18, 2019**

(57) **CLAIM**

We claim the ornamental design for a fitting, as shown and described.

Related U.S. Application Data

DESCRIPTION

(62) Division of application No. 29/623,288, filed on Oct. 24, 2017, now Pat. No. Des. 874,619.

FIG. 1 is a front perspective view of the fitting in its environment with a pipe inserted in one end;
FIG. 2 is a front and top perspective view of the fitting;
FIG. 3 is a side view of the design shown in FIG. 2;
FIG. 4 is a top view of the design shown in FIG. 2;
FIG. 5 is a bottom view of the design shown in FIG. 2; and,
FIG. 6 is a cross sectional view of the design shown in FIG. 1 taken along line 6 and shown in use with a pipe having been inserted in each end.

(30) **Foreign Application Priority Data**

Sep. 25, 2017 (CA) 177231

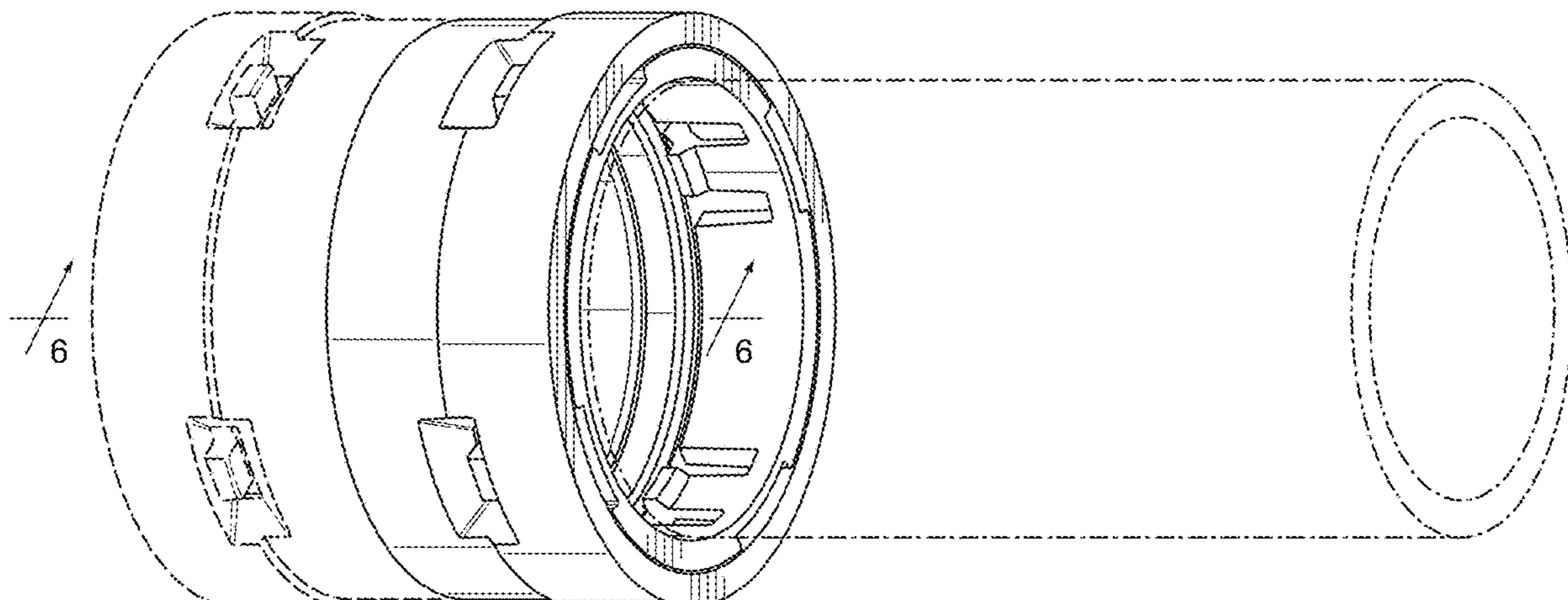
(51) **LOC (12) Cl.** **23-01**

(52) **U.S. Cl.**
USPC **D23/262**

(58) **Field of Classification Search**
USPC D23/259, 266, 262-263, 265; D8/356,
D8/382, 395-396; 285/308; 251/149.6

The dash dot broken lines shown in the drawings illustrate environmental subject matter only that forms no part of the claimed design.

(Continued)



The dashed broken lines shown in the drawings illustrate portions of the fitting that form no part of the claimed design.

1 Claim, 4 Drawing Sheets

(56)

References Cited

U.S. PATENT DOCUMENTS

4,804,209	A *	2/1989	Fischer	F16L 13/11 285/296.1
5,039,137	A *	8/1991	Cankovic	F16L 21/005 285/148.26
5,056,833	A *	10/1991	Webb	F16L 17/04 285/148.23
D332,482	S	1/1993	Petty		
5,193,859	A *	3/1993	McKinnon	B29C 33/123 285/236
5,203,594	A *	4/1993	Straub	F16L 17/04 285/112
5,356,183	A	10/1994	Cole		
5,403,043	A	4/1995	Smet		
5,430,252	A *	7/1995	Petersen	H02G 3/06 174/665
5,813,705	A	9/1998	Dole		

5,901,739	A *	5/1999	Helmsderfer	F16L 59/168 137/247.49
D414,405	S	9/1999	Tompkins		
6,471,253	B2	10/2002	Schilt		
6,663,145	B1	12/2003	Lyall, III		
D653,310	S	1/2012	Texier		
D664,839	S *	8/2012	Bonhag	D8/396
8,256,800	B2	9/2012	Ward		
8,322,755	B2	12/2012	Kluss		
8,448,995	B2	5/2013	Ward		
9,777,875	B2 *	10/2017	Bobo	F16L 37/091
2007/0257488	A1 *	11/2007	Jimenez	F16L 25/065 285/404
2007/0284037	A1 *	12/2007	Buytaert	E21B 17/1078 156/294
2009/0261585	A1 *	10/2009	Ward	F16L 25/14 285/418

OTHER PUBLICATIONS

IPEX 189680 PVC Gray Male Threaded Connector; Monarch Website Copyright 2019; Visited Online Sep. 3, 2019; <https://www.monarchoelectric.com/ipex-189680-pvc-gray-male-threaded-connector-with-locknuts-1-1-4-inch-kwikon-reg-7013> (Year: 2019).

* cited by examiner

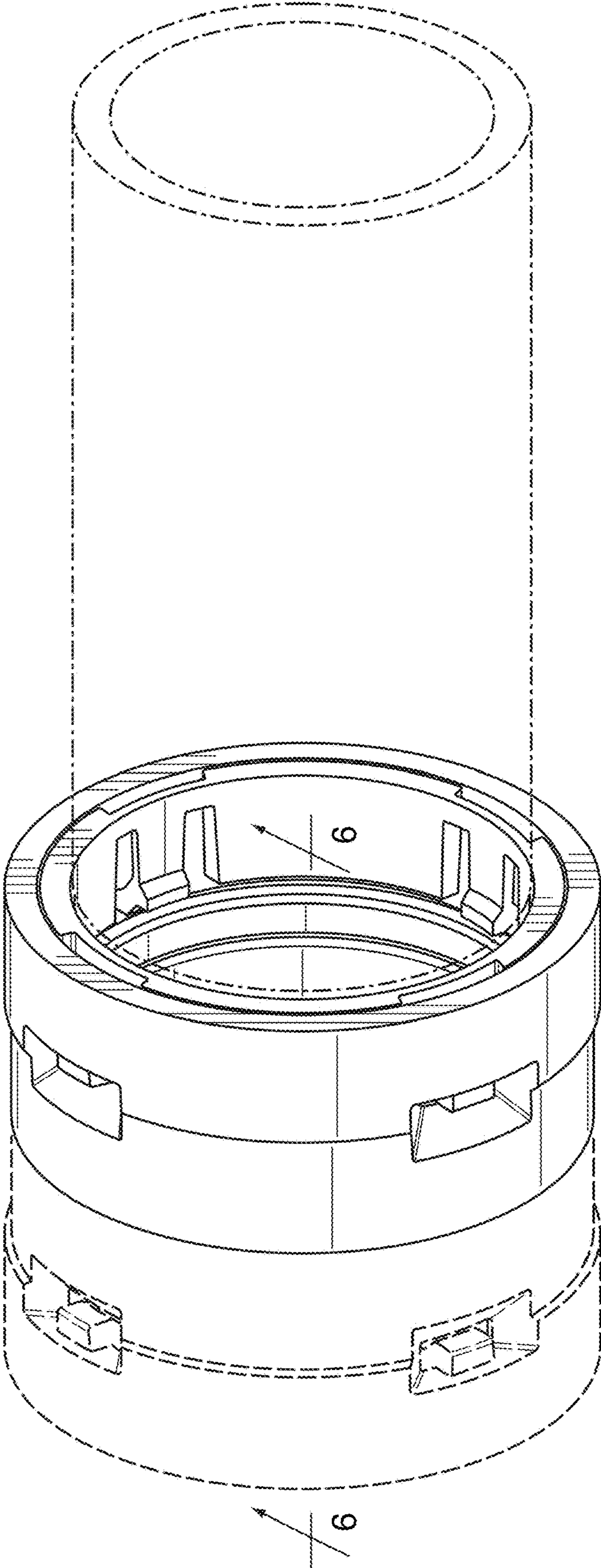


Fig. 1

Fig. 3

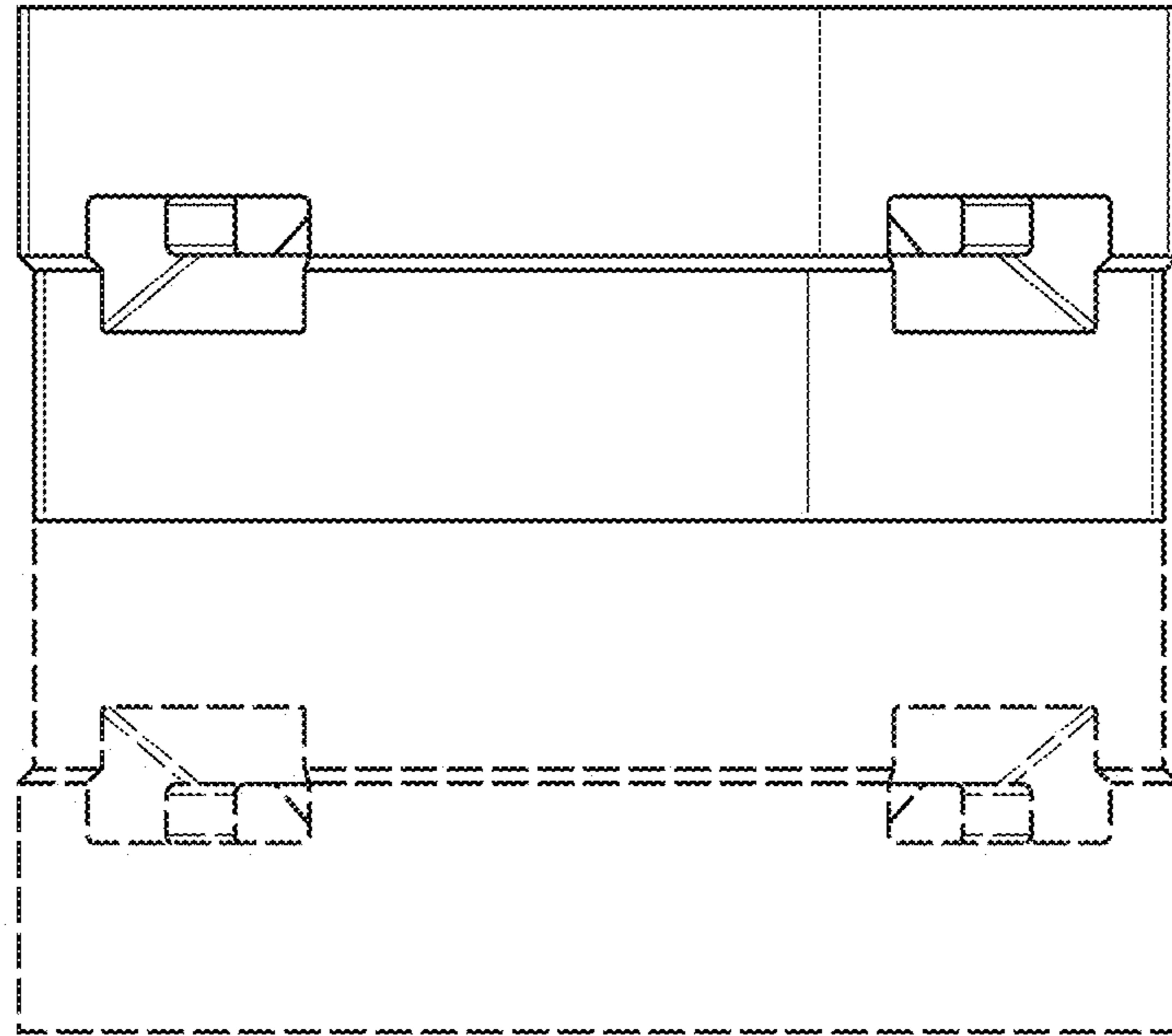


Fig. 2

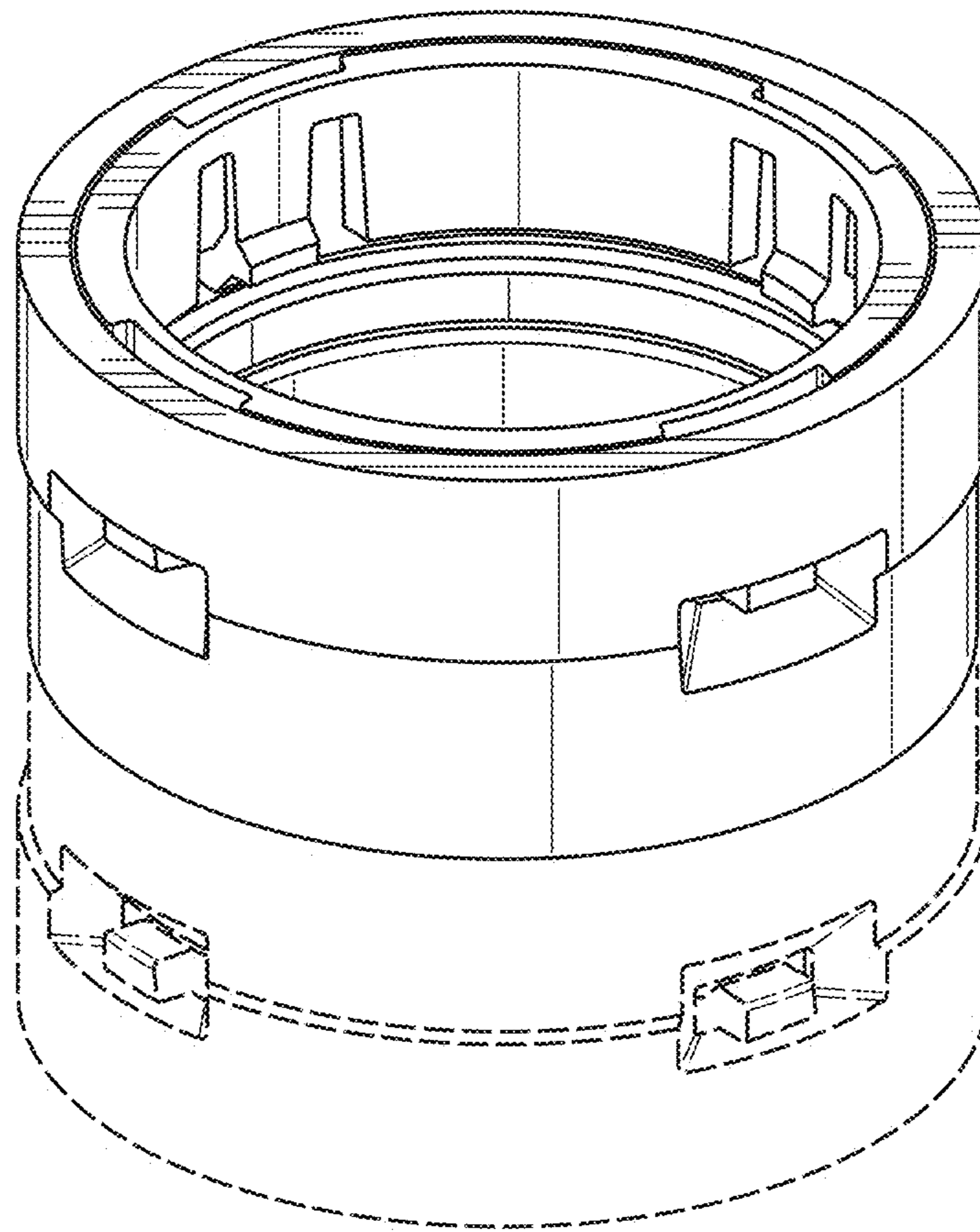
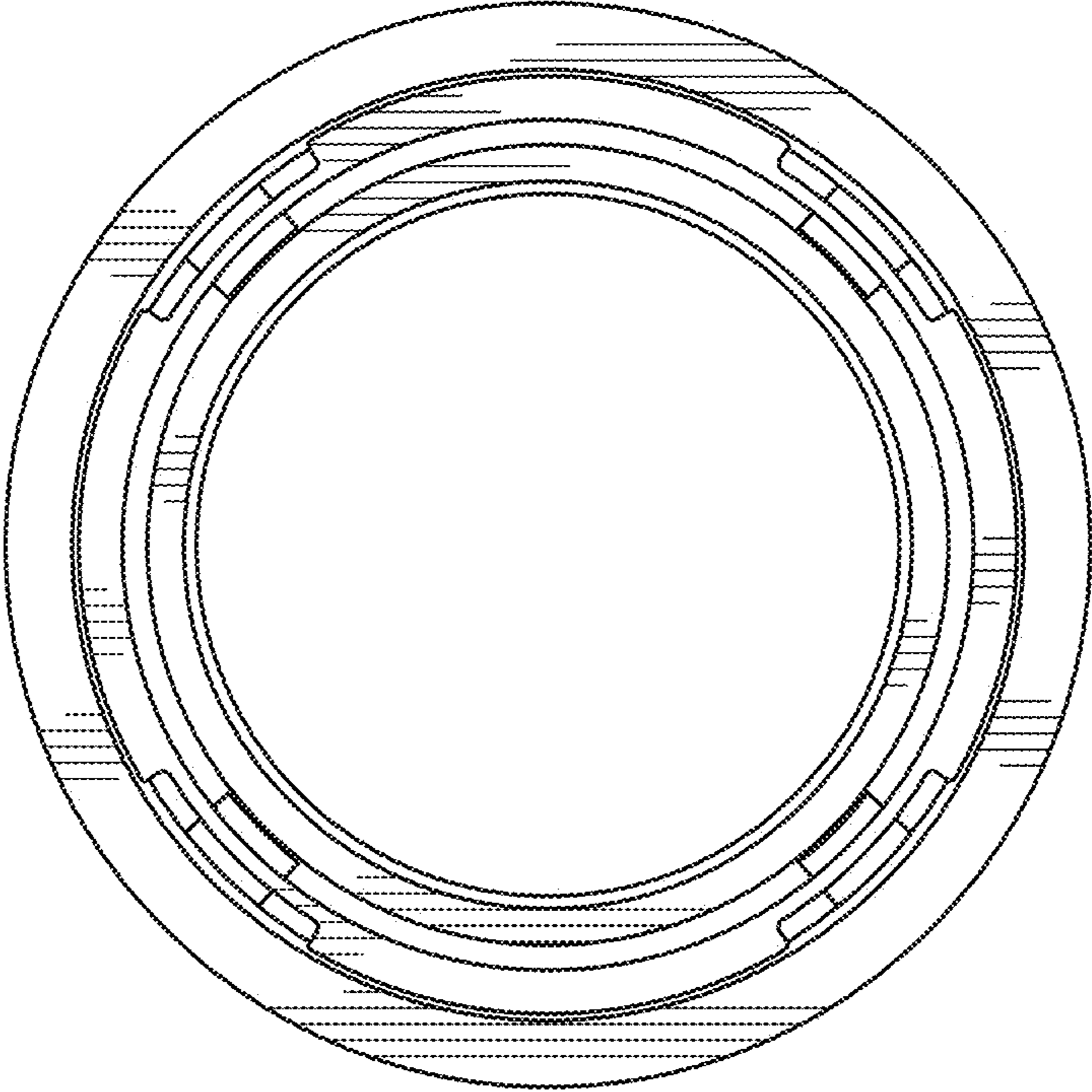


Fig. 5



Fig. 4



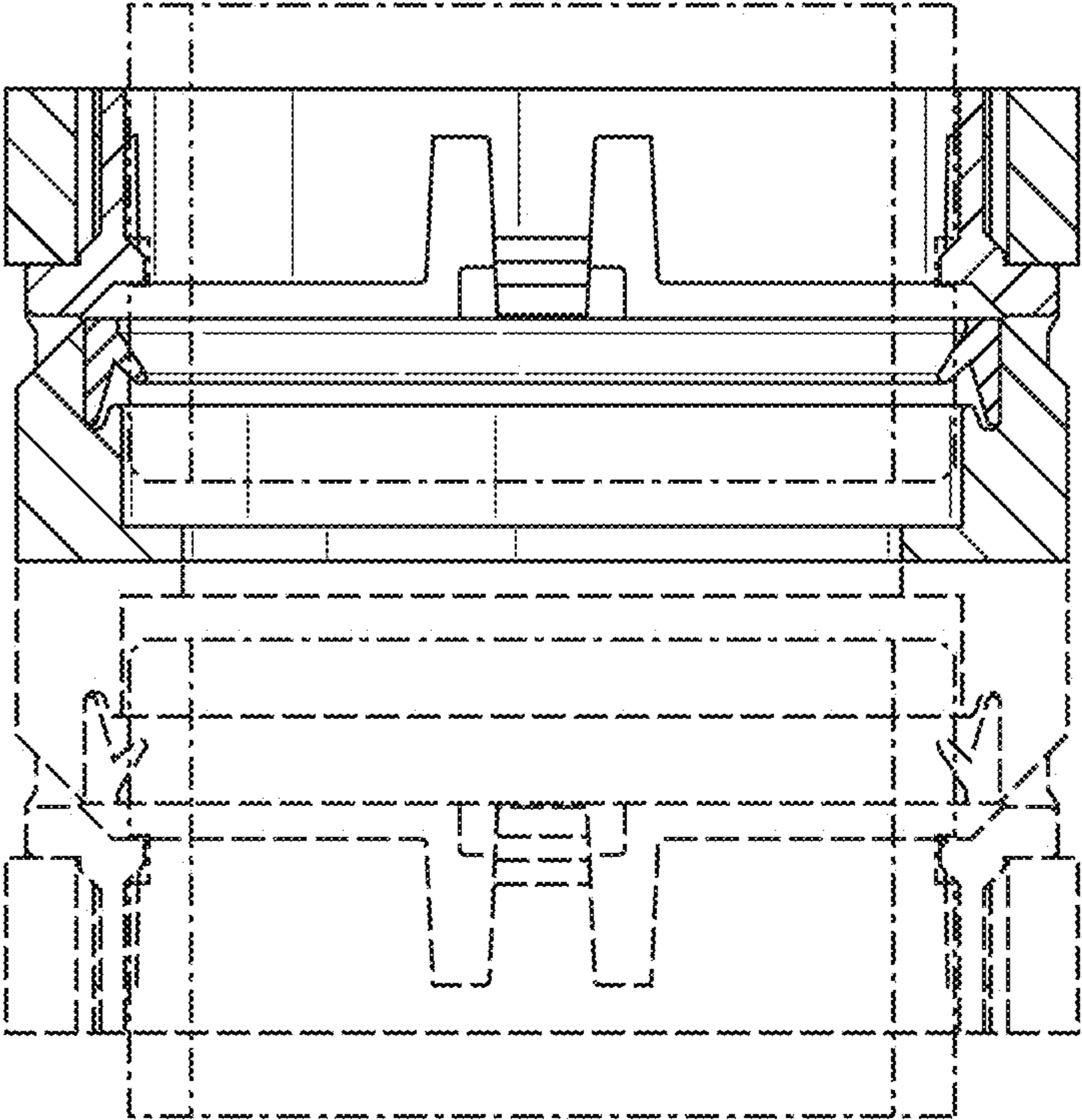


Fig. 6