



US00D888900S

(12) **United States Design Patent**
Westcott-Pocock

(10) **Patent No.:** **US D888,900 S**
(45) **Date of Patent:** **** Jun. 30, 2020**

(54) **PAIL ADAPTER**

- (71) Applicant: **Westcott Distribution Inc.**, Milford, CT (US)
- (72) Inventor: **Nancy Westcott-Pocock**, Milford, CT (US)
- (73) Assignee: **WESTCOTT DISTRIBUTION INC.**, Milford, CT (US)
- (**) Term: **15 Years**
- (21) Appl. No.: **29/681,930**
- (22) Filed: **Feb. 28, 2019**
- (51) **LOC (12) Cl.** **23-01**
- (52) **U.S. Cl.**
USPC **D23/260; D9/435**
- (58) **Field of Classification Search**
USPC D23/207-209, 233-237, 249, 285/15-16, 285/31, 33, 45, 53, 86, 104, 148.2, 285/148.19-148.22, 133.21, 245, 257, 285/291.1, 291.2, 335, 423, 355, 390, 285/417, 34, 305, 321, 323; 251/146-152, 215-216, 143, 155, 162, 251/357; 138/99; D24/129; 137/625.4; 236/12.1; D8/397, 399; D13/133, 154; D32/31-33; D9/417, 434-435, 439-440, D9/447-448; 222/207, 630, 632, 635; 239/29.3, 32
CPC F16K 11/07; F16K 31/002; F16L 11/00; F16L 25/01; F16L 17/10; F16L 59/14
See application file for complete search history.

(56) **References Cited**

U.S. PATENT DOCUMENTS

- D242,709 S * 12/1976 Schourup D23/235
- 5,303,964 A * 4/1994 Yi F16L 19/08
- 285/322
- D360,265 S * 7/1995 Thomas D24/232
- D389,761 S * 1/1998 Thomas D10/103

(Continued)

OTHER PUBLICATIONS

70 mm Pail Adapter, Goat throat Pumps Website <https://www.goatthroat.com/our-products/70mm-pail-adapter/> Earliest Review Apr. 4, 2012; <https://www.goatthroat.com/ratings-reviews/> (Year: 2012).*

(Continued)

Primary Examiner — Amy C Wierenga

(74) *Attorney, Agent, or Firm* — Ware, Fressola, Maguire & Barber LLP

(57) **CLAIM**

I claim the ornamental design for a pail adapter, as shown and described.

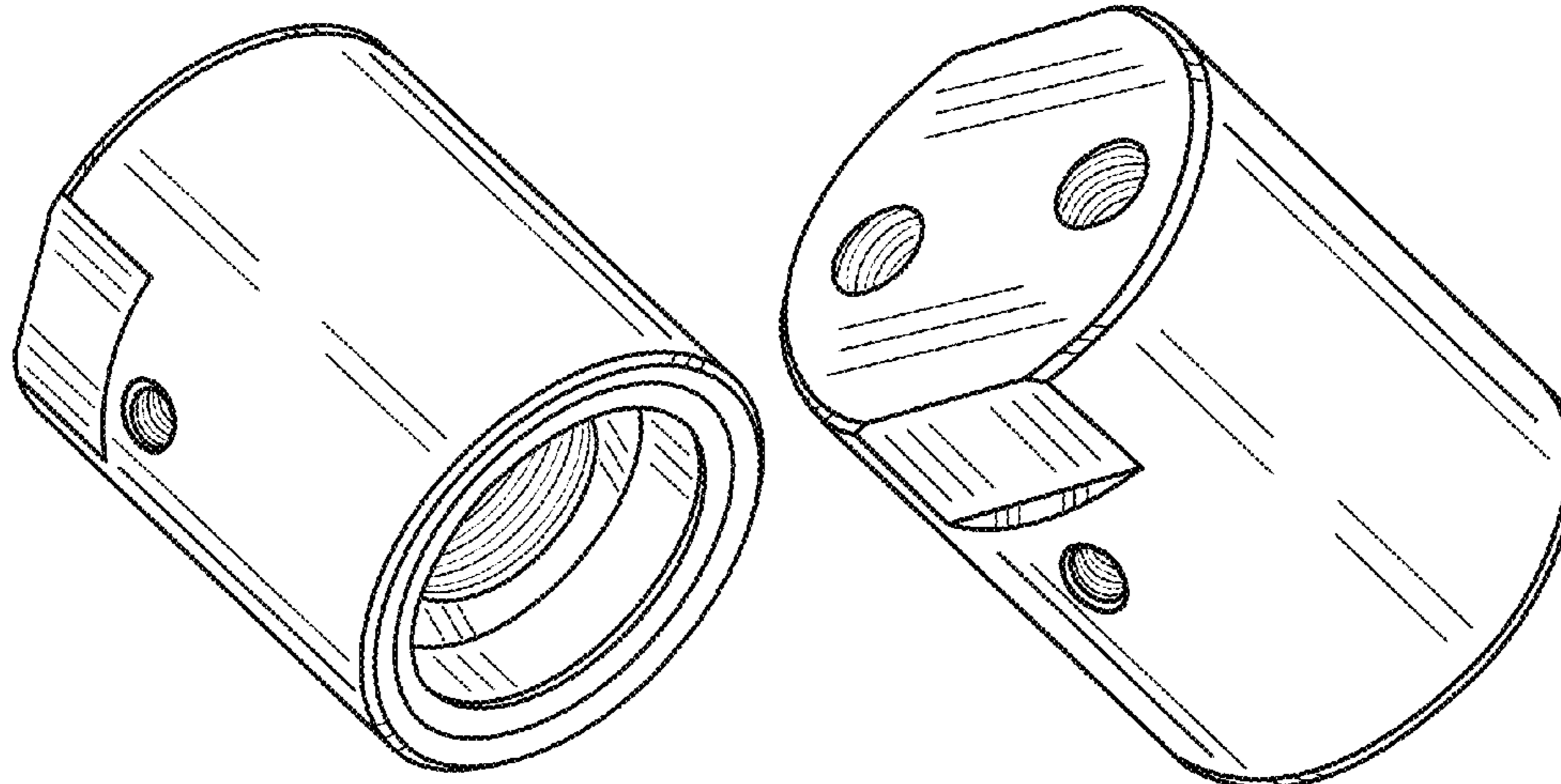
DESCRIPTION

FIG. 1 is a bottom perspective view of a pail adapter showing my new design;
 FIG. 2 is a top perspective view thereof;
 FIG. 3 is a bottom view thereof;
 FIG. 4 is a top view thereof;
 FIG. 5 is a right side elevation view thereof, the left side view being the same;
 FIG. 6 is a front elevational view thereof, the rear view being the same;
 FIG. 7 is a cross-sectional view taken along line 7-7 in FIG. 4; and,
 FIG. 8 is a cross-sectional view taken along line 8-8 in FIG. 3.

The cross-sectional views shown in FIGS. 7 and 8 are provided to clearly bring out the elements of the claimed design.

The parallel lines are surface shading used to indicate the character and contour of the various surfaces of the claimed design.

1 Claim, 4 Drawing Sheets



(56)

References Cited

U.S. PATENT DOCUMENTS

5,772,262 A * 6/1998 Dupont F16L 33/22
285/242
D398,955 S * 9/1998 Shimizu D23/235
D484,411 S * 12/2003 Haruch D9/439
D648,008 S * 11/2011 Percoco D23/262
D711,516 S * 8/2014 Guest D23/262
D729,898 S * 5/2015 Mahdjoubi Namin D23/209
D767,714 S * 9/2016 Kemper D23/209
D773,848 S * 12/2016 Yang D6/542
D829,465 S * 10/2018 Yang D6/542

OTHER PUBLICATIONS

Design U.S. Appl. No. 29/681,925, filed Feb. 28, 2019, Westcott-Pocock.

Design U.S. Appl. No. 29/681,923, filed Feb. 28, 2019, Westcott-Pocock.

Photographs of Westcott Distribution Inc. Pour Spout Adapter Model No. 226-101 (On sale more than 1-year before effective filing date of application).

* cited by examiner

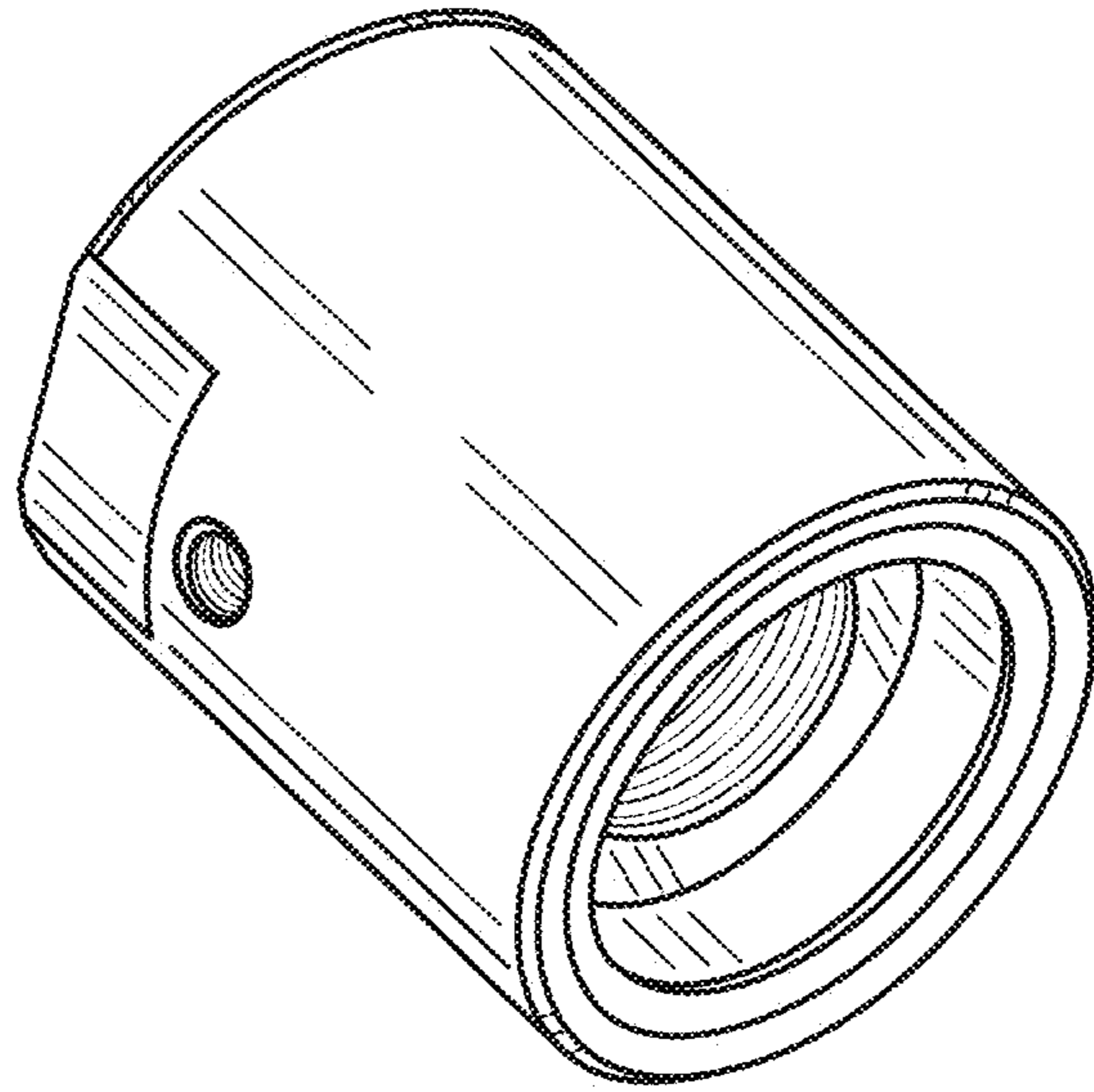


Fig. 1

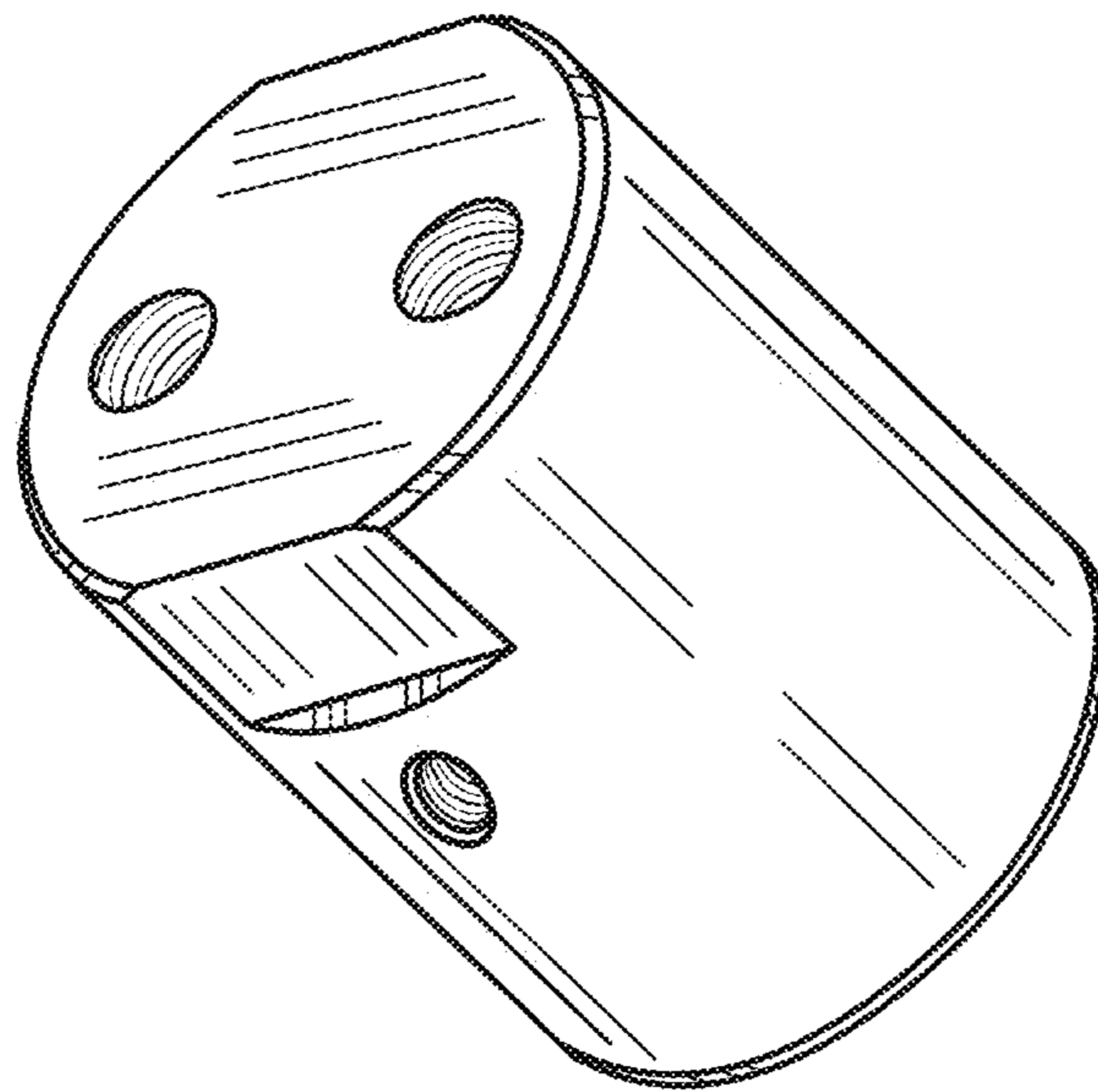


Fig. 2

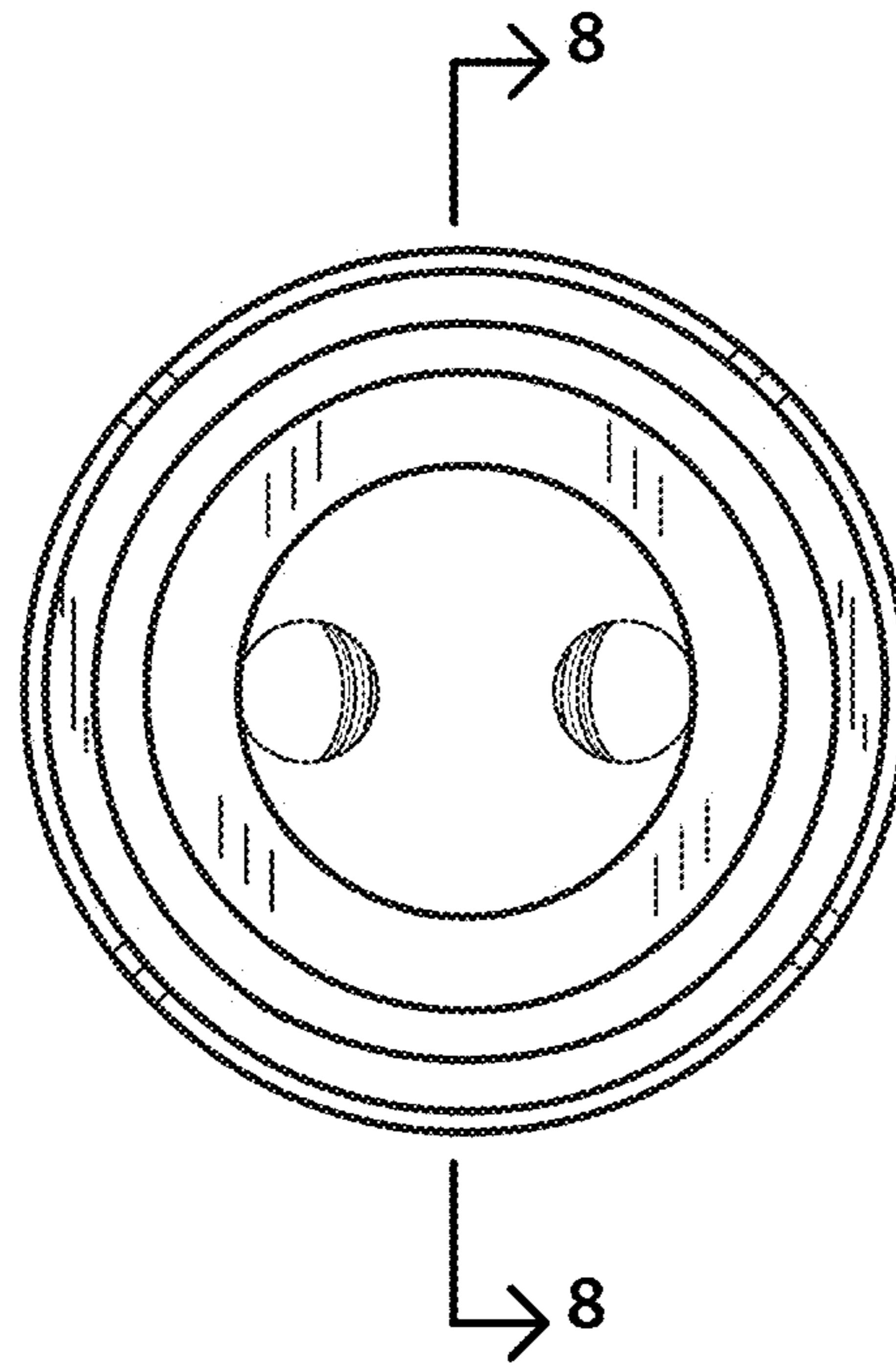


Fig. 3

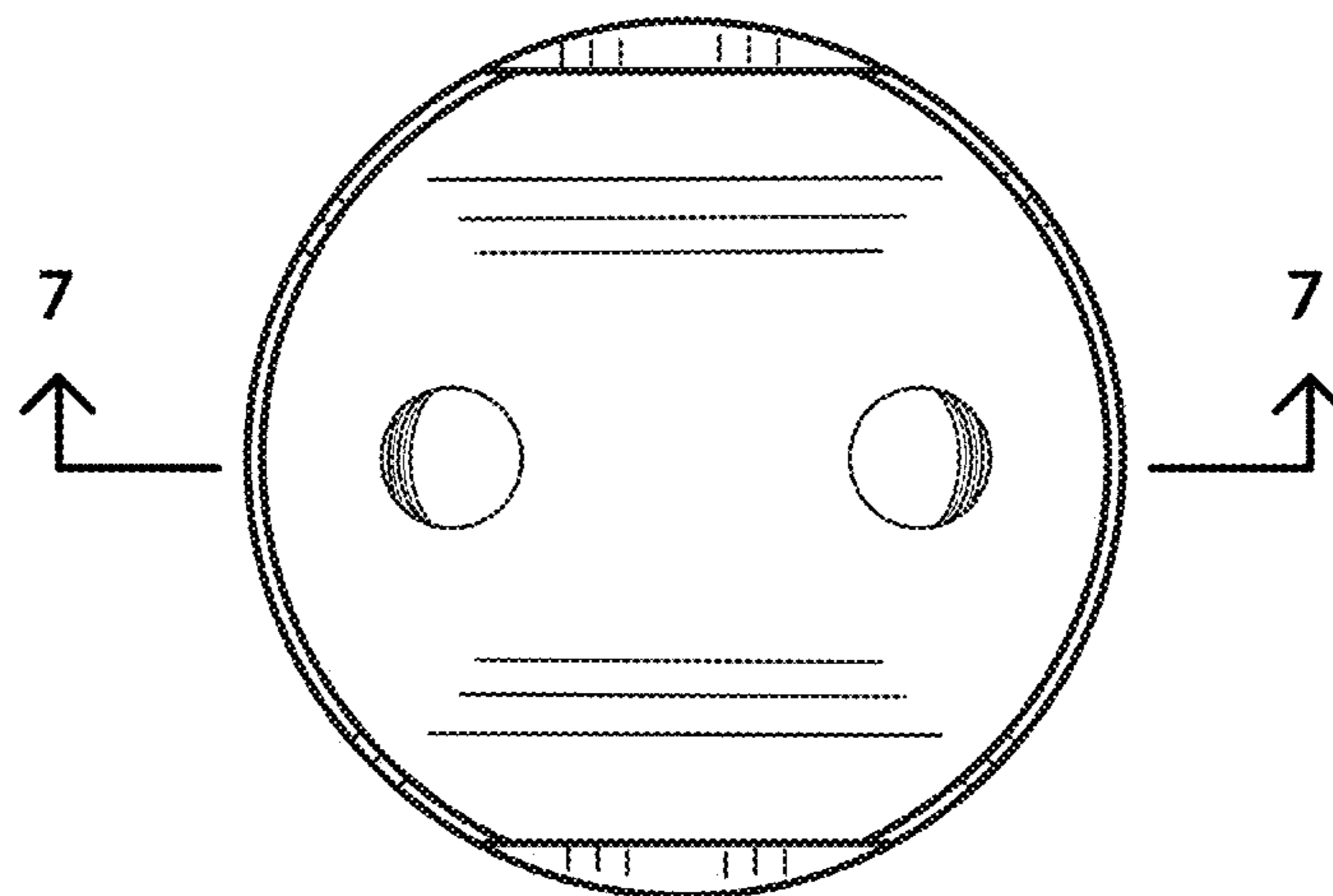


Fig. 4

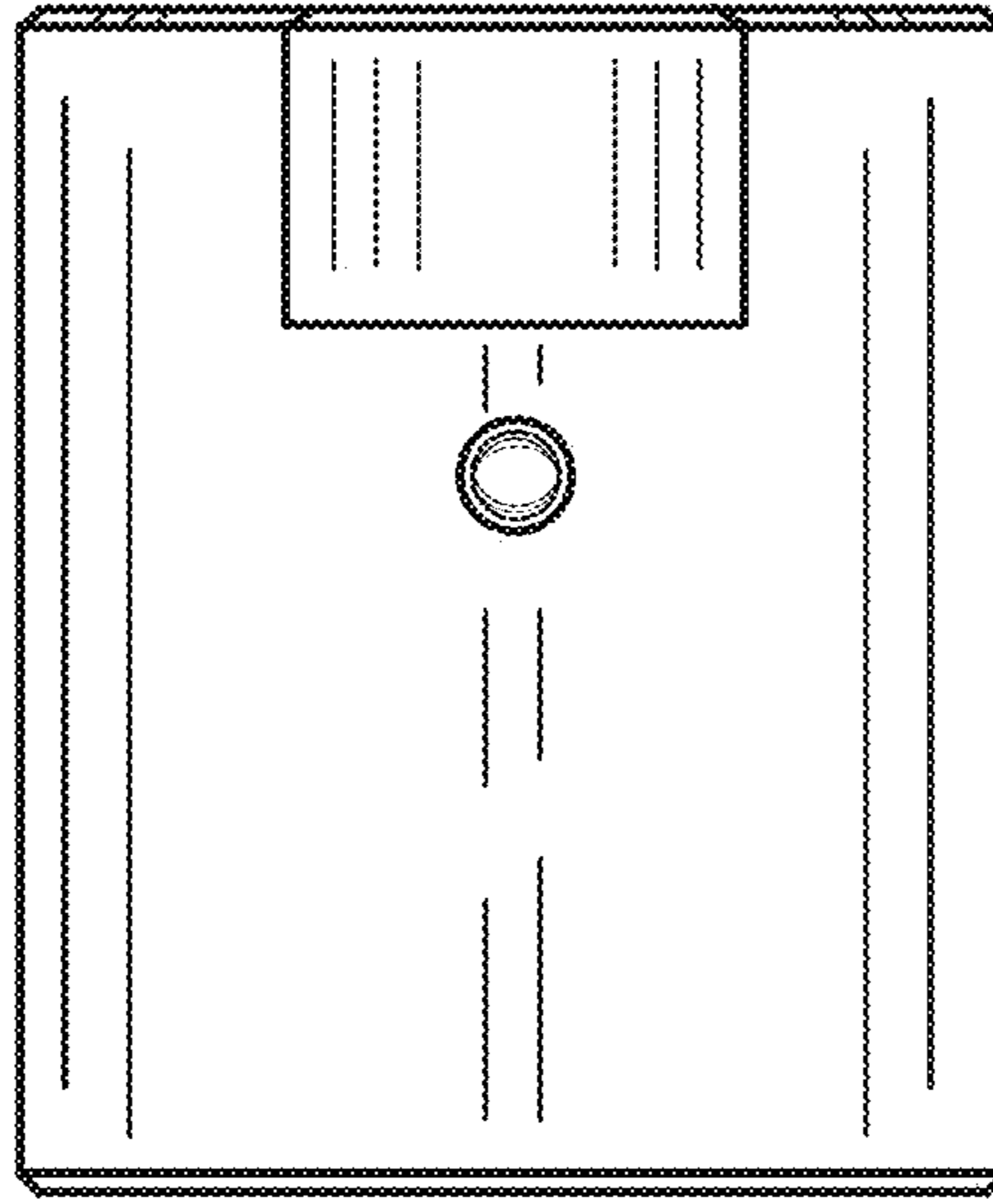


Fig. 5

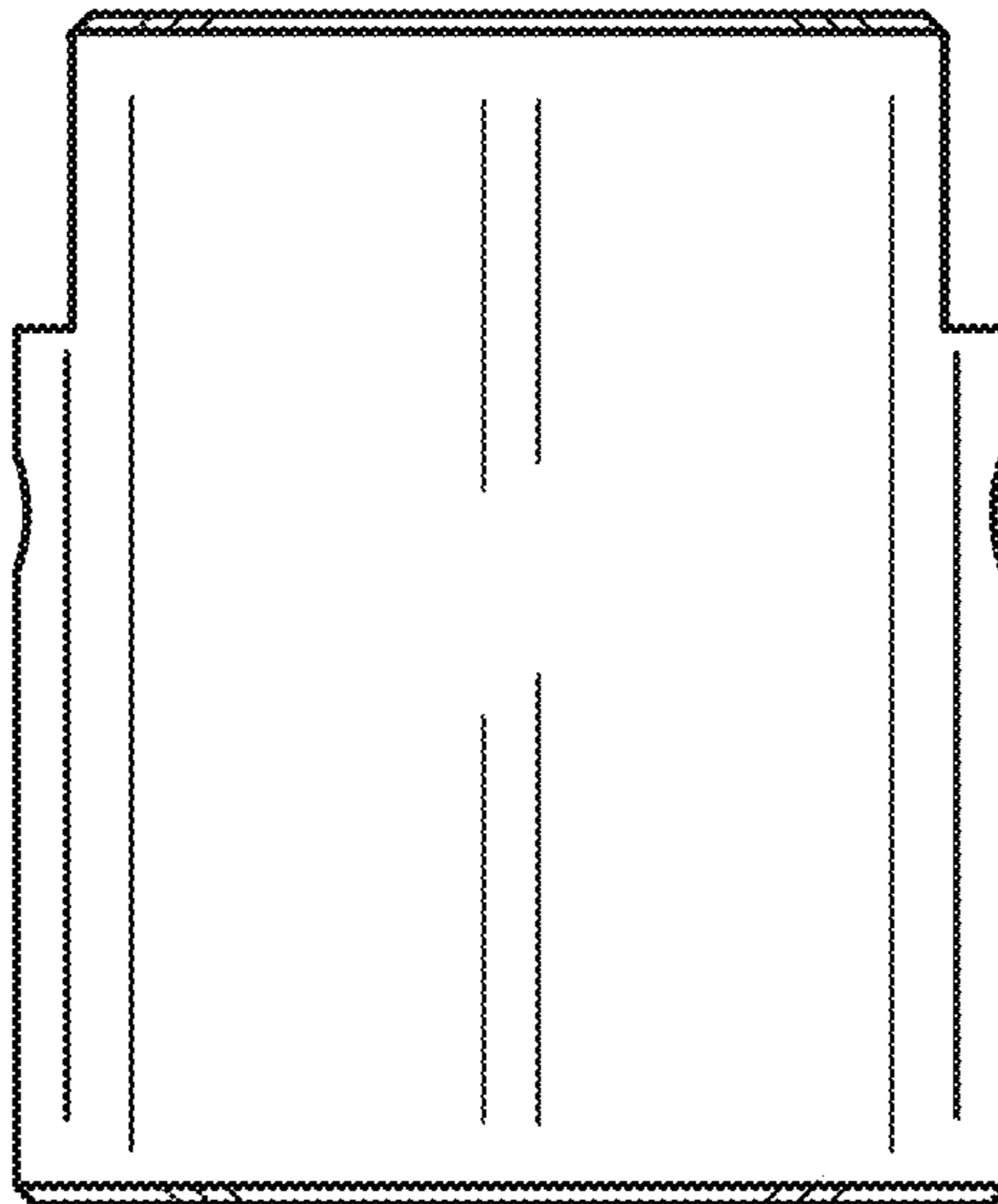


Fig. 6

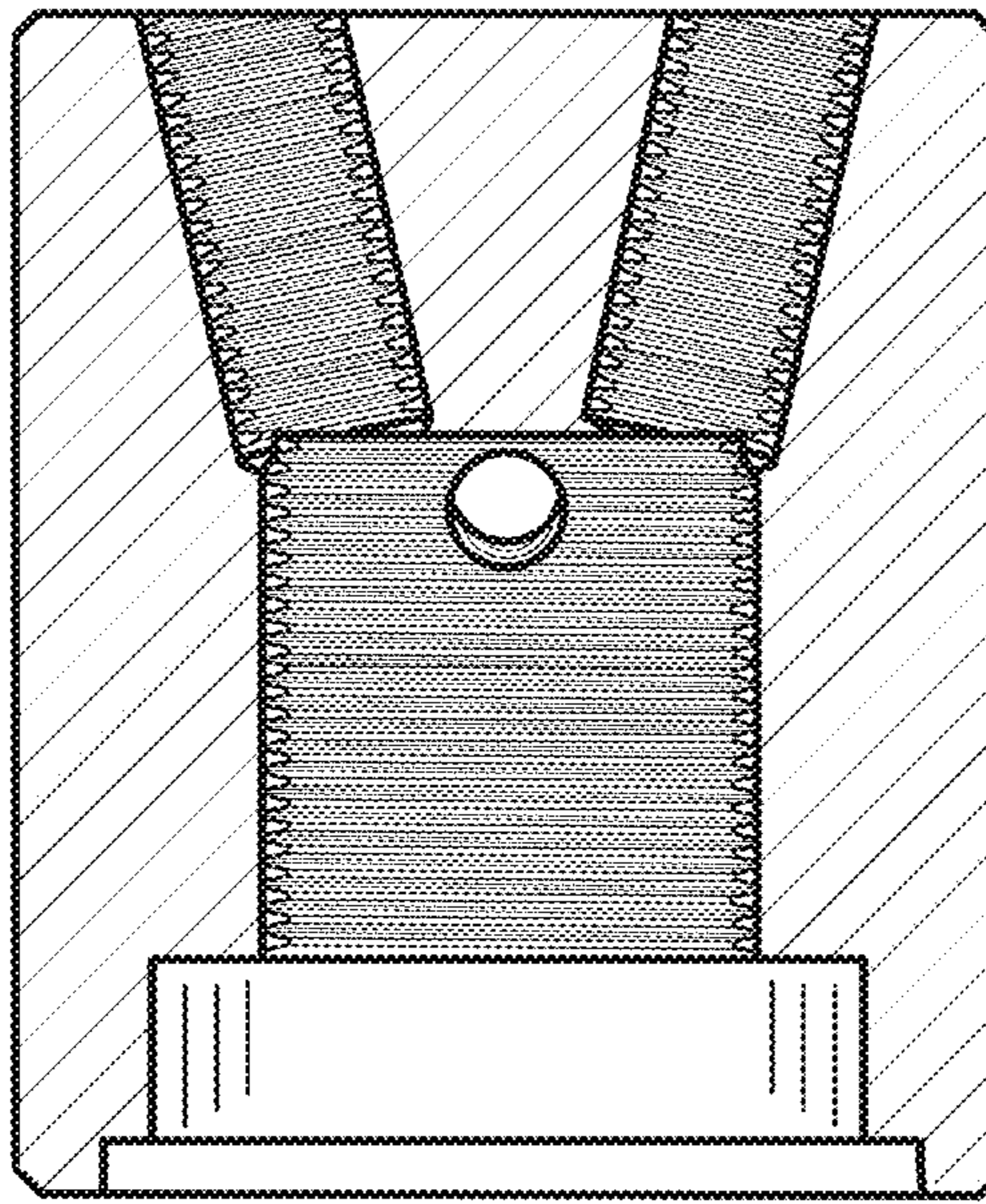


Fig. 7

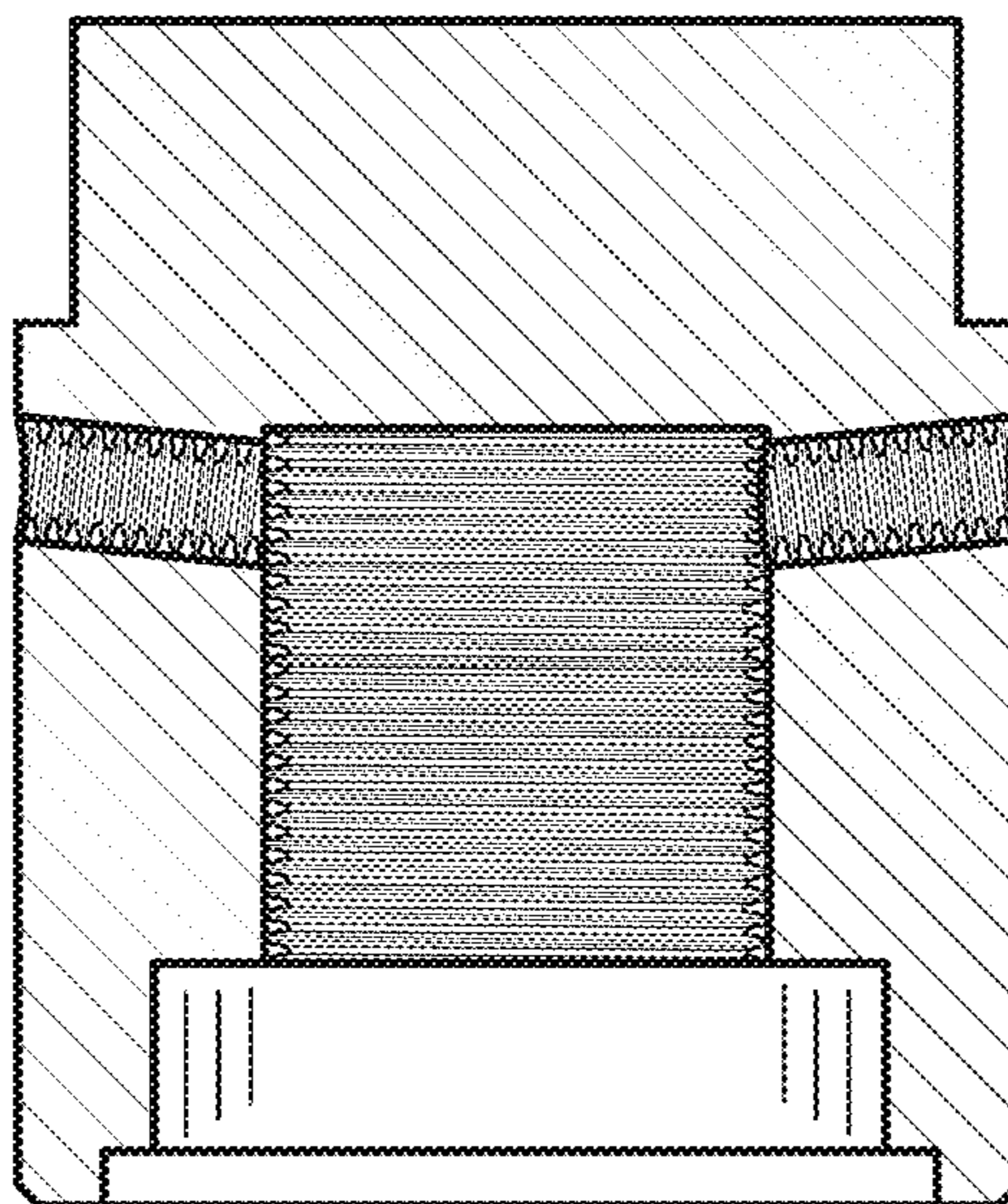


Fig. 8