



US00D888899S

(12) **United States Design Patent**
Kumpula

(10) **Patent No.:** **US D888,899 S**
(45) **Date of Patent:** **** Jun. 30, 2020**

(54) **FITTING FOR PIPE INSTALLATIONS**

(71) Applicant: **Uponor Innovation AB**, Virsbo (SE)

(72) Inventor: **Pekka Kumpula**, Espoo (FI)

(73) Assignee: **Uponor Innovation AB**, Virsbo (SE)

(**) Term: **15 Years**

(21) Appl. No.: **35/506,496**

(22) Filed: **Dec. 21, 2018**

(80) **Hague Agreement Data**

Int. Filing Date: **Dec. 21, 2018**

Int. Reg. No.: **DM/200407**

Int. Reg. Date: **Dec. 21, 2018**

Int. Reg. Pub. Date: **Mar. 29, 2019**

(51) **LOC (12) Cl.** **23-02**

(52) **U.S. Cl.**
USPC **D23/259**

(58) **Field of Classification Search**

USPC D23/259, 365, 213, 226, 262, 264–266

CPC B23K 26/0006; B23K 26/0622; B23K 2101/40; B23K 2103/54; B23K 26/046; B23K 26/0823; B23K 26/0869; B23K 26/103; B23K 26/352; B23K 26/355; B23K 26/362; B23K 26/40; B23K 26/402; B23K 26/53; B60L 2240/662; B60L 15/2045; B60L 1/00; B60L 1/003; B60L 1/02; B60L 1/14; B60L 2200/12; B60L 2200/24; B60L 2210/12; B60L 2210/14; B60L 2210/30; B60L 2220/14; B60L 2220/16; B60L 2220/46; B60L 2240/12; B60L 2240/14; B60L 2240/26; B60L 2240/421; B60L 2240/423; B60L 2240/427; B60L 2240/429; B60L 2240/525; B60L 2240/545; B60L 2240/622; B60L 2240/642; B60L 2240/645; B60L 2240/70; B60L 2250/10; B60L 2250/16; B60L 2250/18; B60L 2250/20; B60L 2250/22; B60L 2260/44; B60L 2260/52; B60L 2270/34; B60L 2270/46; B60L 3/003; B60L 3/0046;

B60L 3/0061; B60L 3/0069; B60L 3/12; B60L 50/40; B60L 50/50; B60L 50/51; B60L 50/64; B60L 50/66; B60L 50/72; B60L 53/11; B60L 53/14; B60L 53/30; B60L 53/305; B60L 53/65; B60L 53/665; B60L 53/68; B60L 53/80; B60L 55/00; B60L 58/10; B60L 58/12; B60L 58/16; B60L 58/21; B60L 58/26; B60L 58/33; B60L 7/06; B60L 7/14; B60L 7/22

See application file for complete search history.

(56) **References Cited**

U.S. PATENT DOCUMENTS

1,964,255 A * 6/1934 Faast B05B 1/12
239/500
2,051,518 A * 8/1936 Cunningham B05B 7/2408
222/325
D311,573 S * 10/1990 Lewis D23/262
D346,020 S * 4/1994 Kellogg D23/387
D368,304 S * 3/1996 Morrison D23/262

(Continued)

Primary Examiner — Khawaja Anwar

(74) *Attorney, Agent, or Firm* — Haynes Beffel & Wolfeld LLP; Andrew L. Dunlap

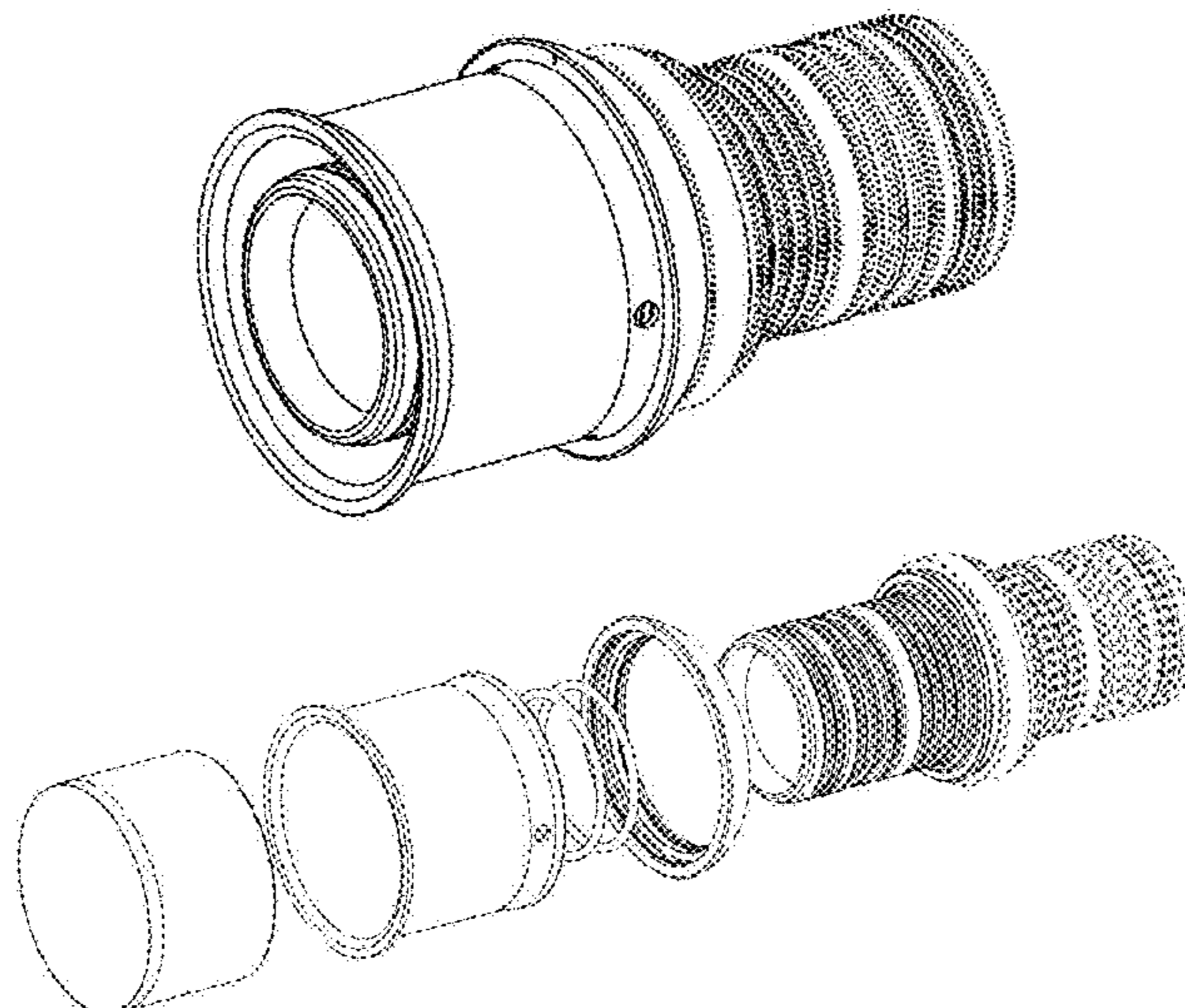
(57) **CLAIM**

The ornamental design for a fitting for pipe installations, as shown and described.

DESCRIPTION

FIG. 1.1 is a perspective view, showing my new design; FIG. 1.2 is another perspective view, shown in an exploded view thereof; FIG. 1.3 is a side view thereof; FIG. 1.4 is a another side view thereof; FIG. 1.5 is another side view thereof; FIG. 1.6 is another side view thereof; FIG. 1.7 is a front view thereof; and, FIG. 1.8 is rear side view thereof.

1 Claim, 8 Drawing Sheets



(56)

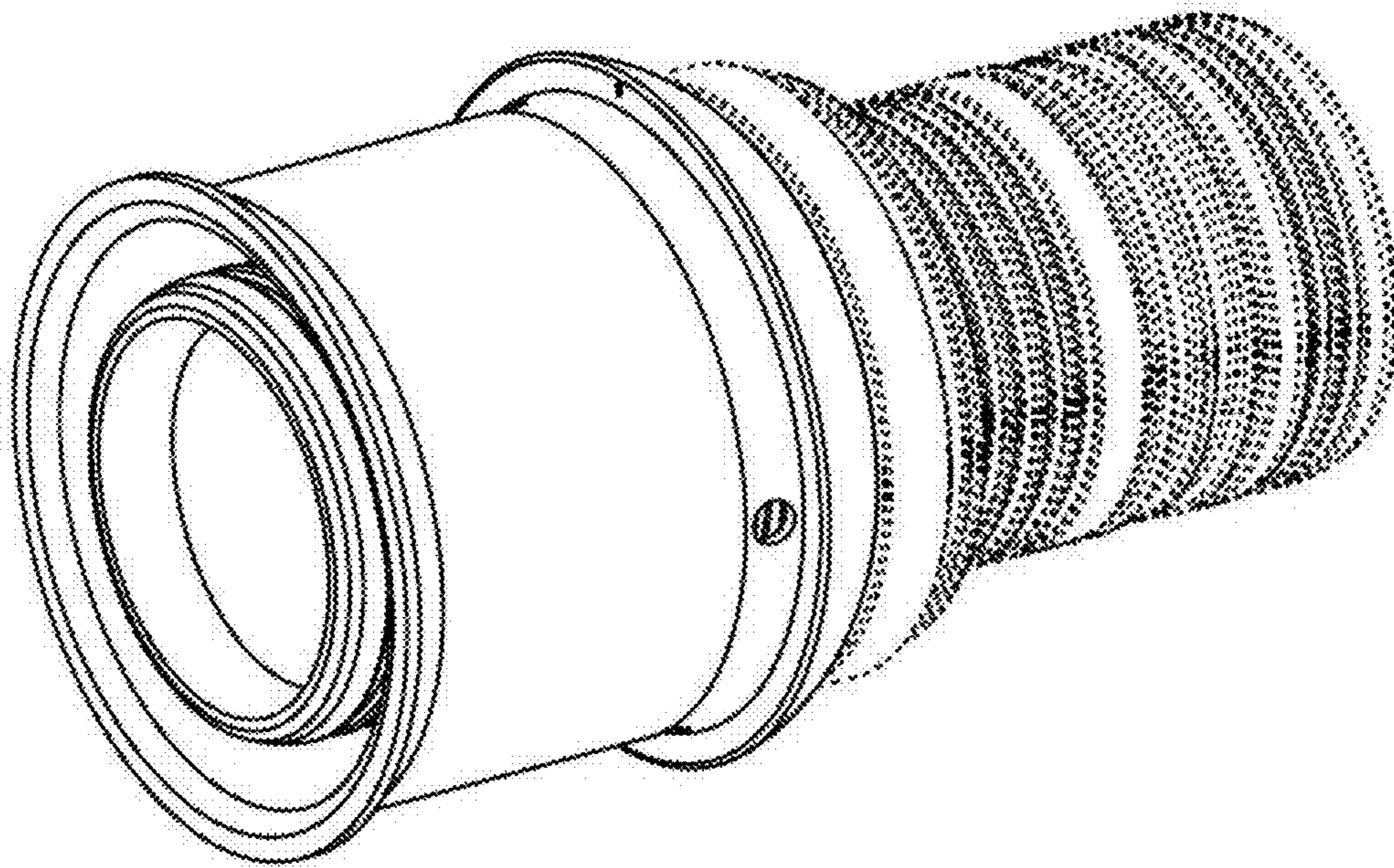
References Cited

U.S. PATENT DOCUMENTS

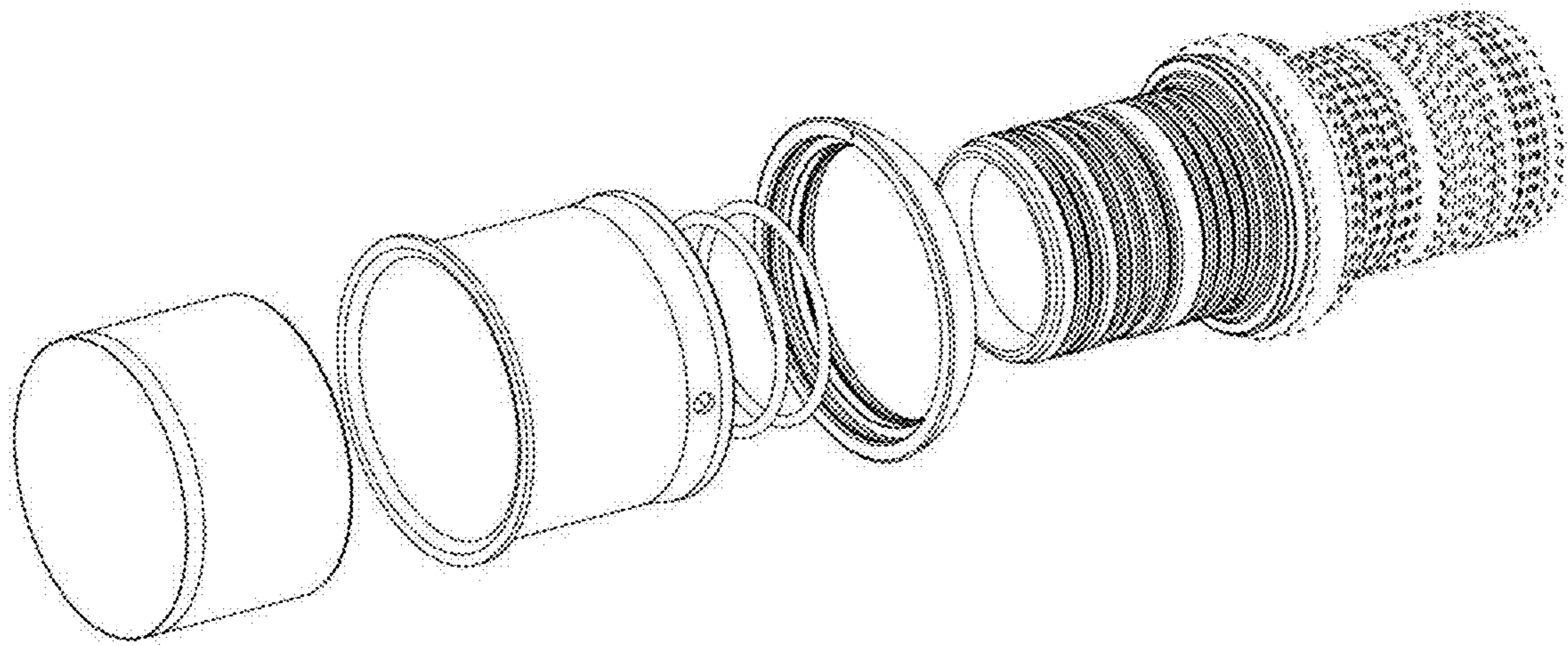
D387,146 S *	12/1997	Morrison	D23/262
D407,802 S *	4/1999	Hatfield	D23/262
D602,128 S *	10/2009	Williams	D23/262
D627,039 S *	11/2010	Yu	D23/260
D851,738 S *	6/2019	Ghorbani	D23/259
2010/0117356 A1 *	5/2010	Pucciani	F16L 21/002 285/238

* cited by examiner

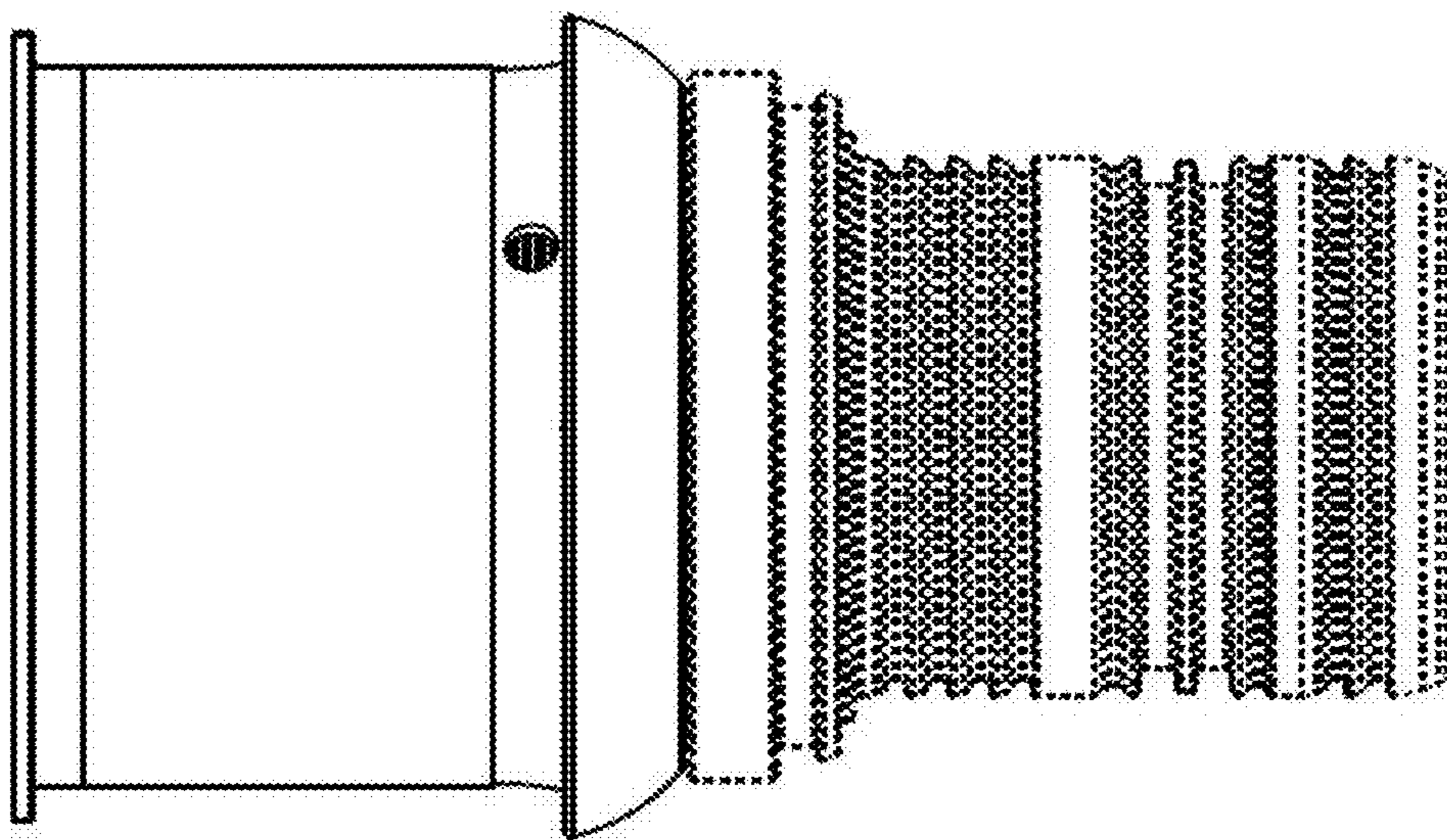
1.1



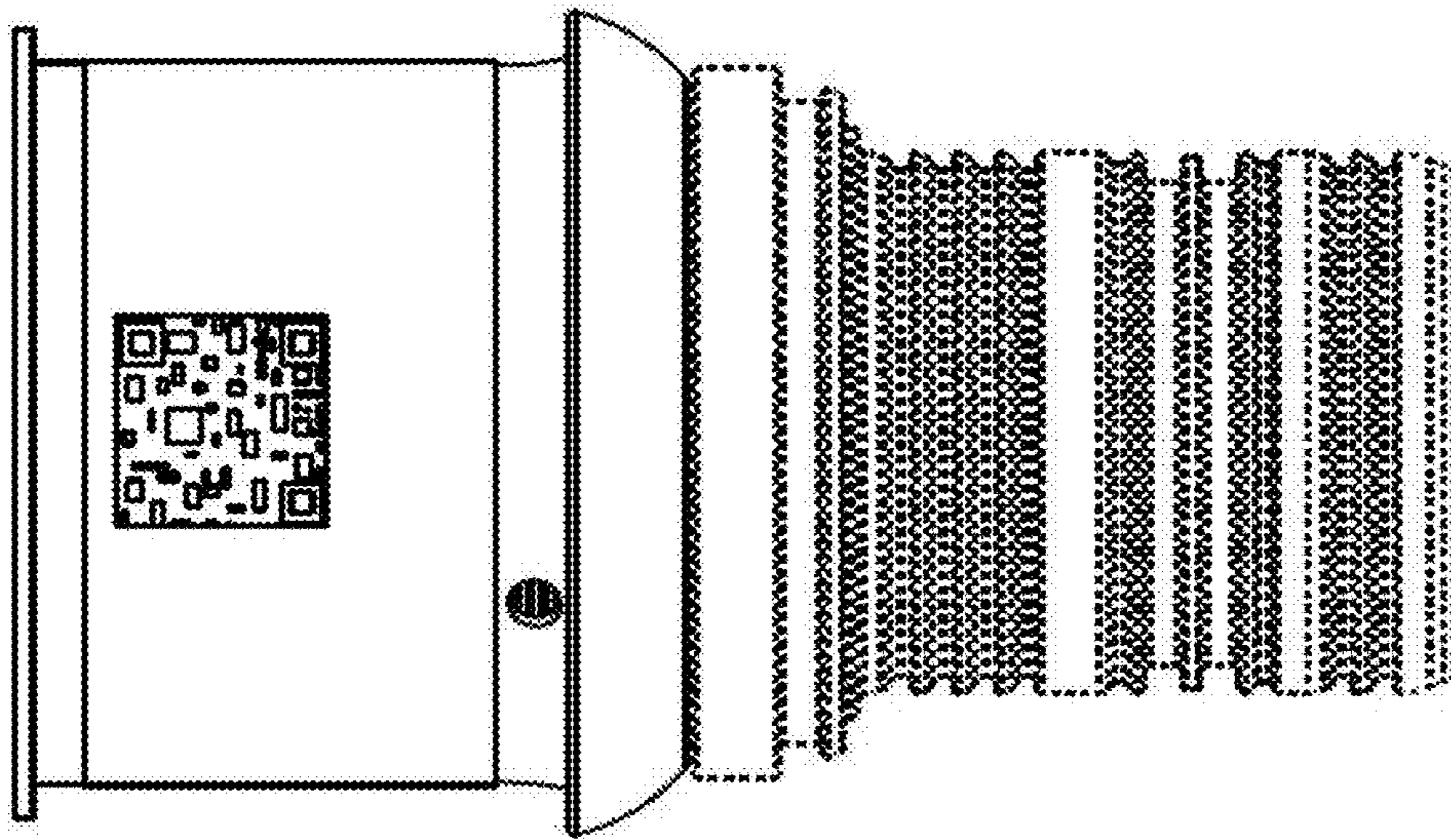
1.2



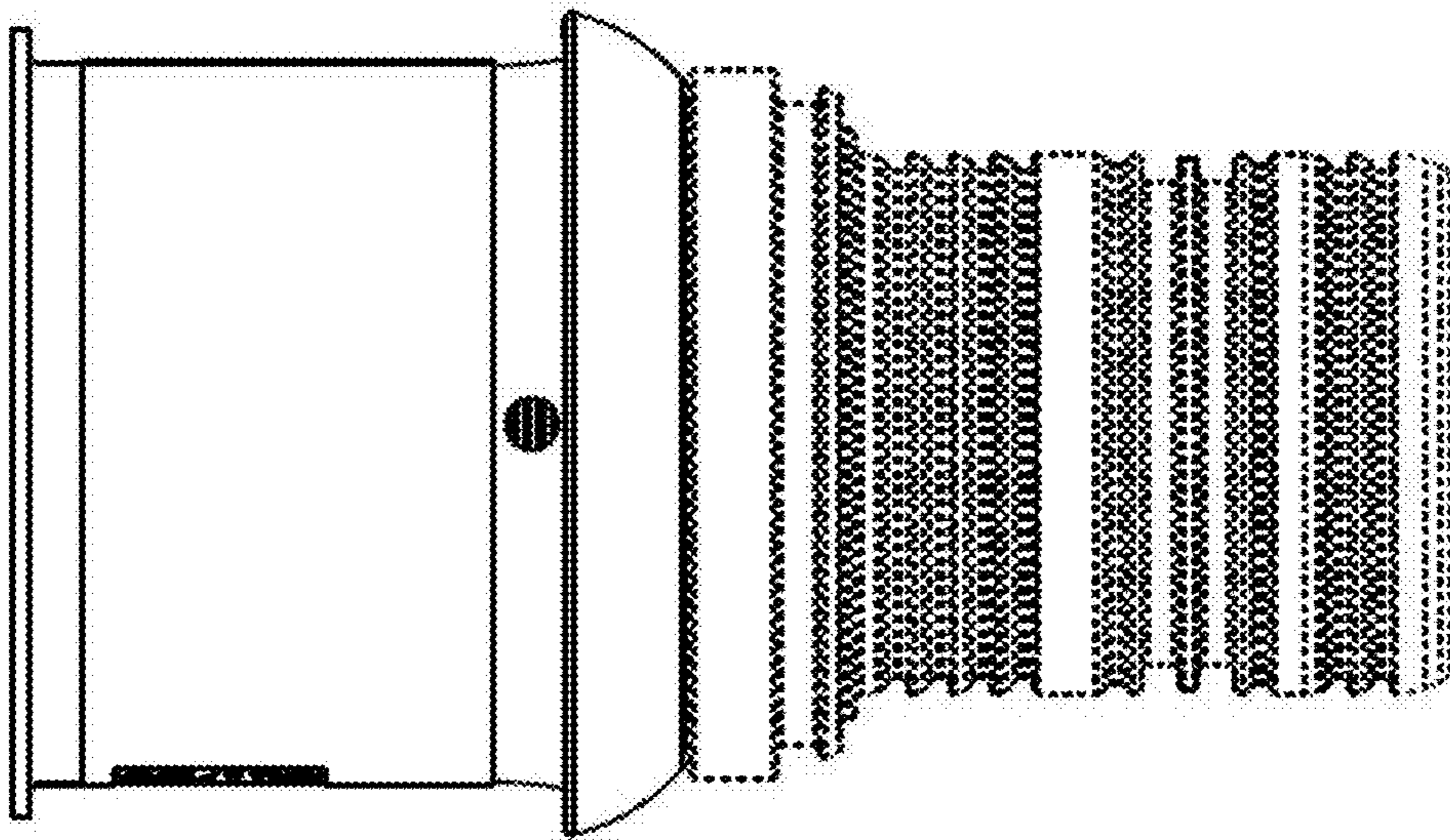
1.3



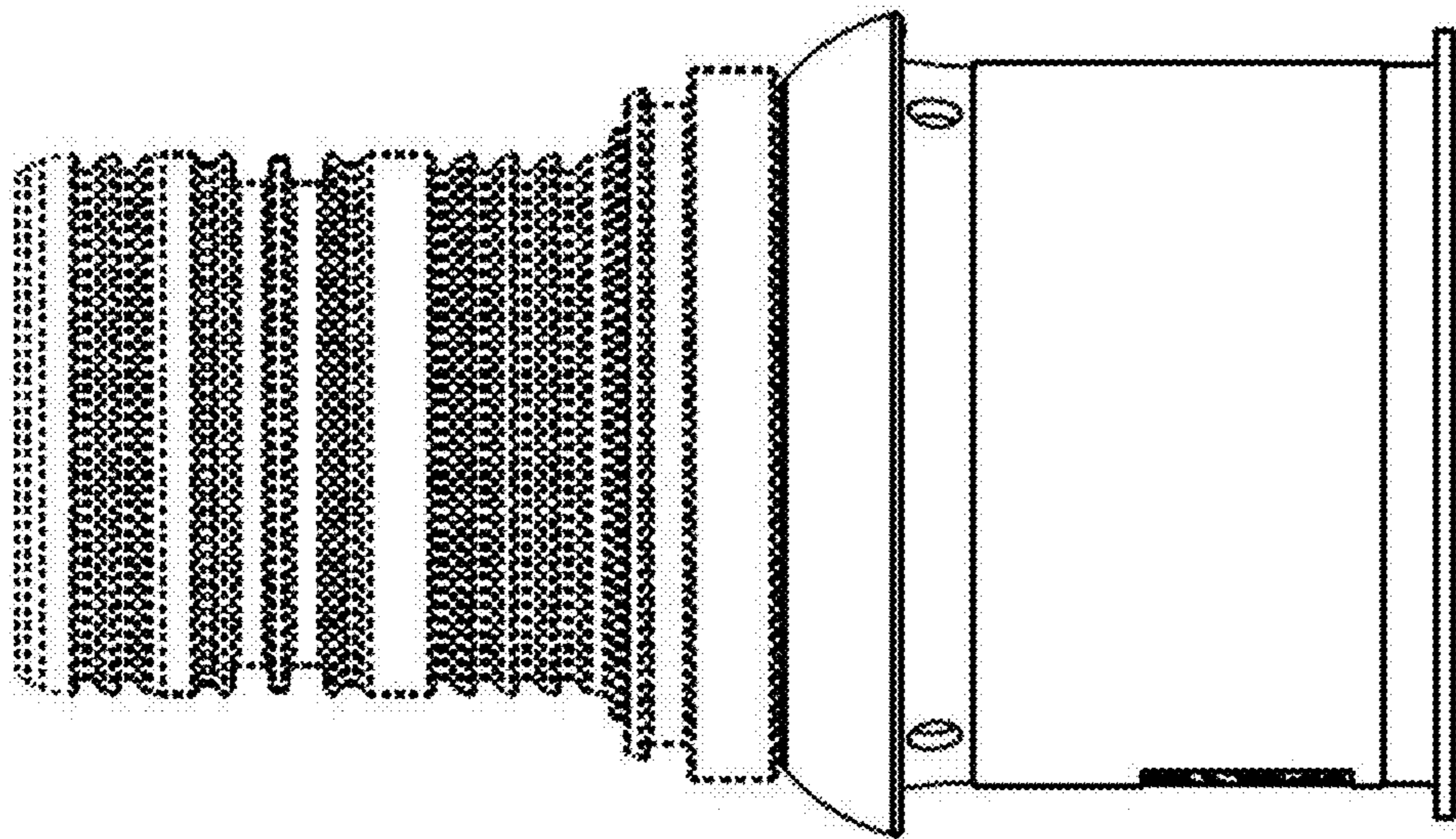
1.4



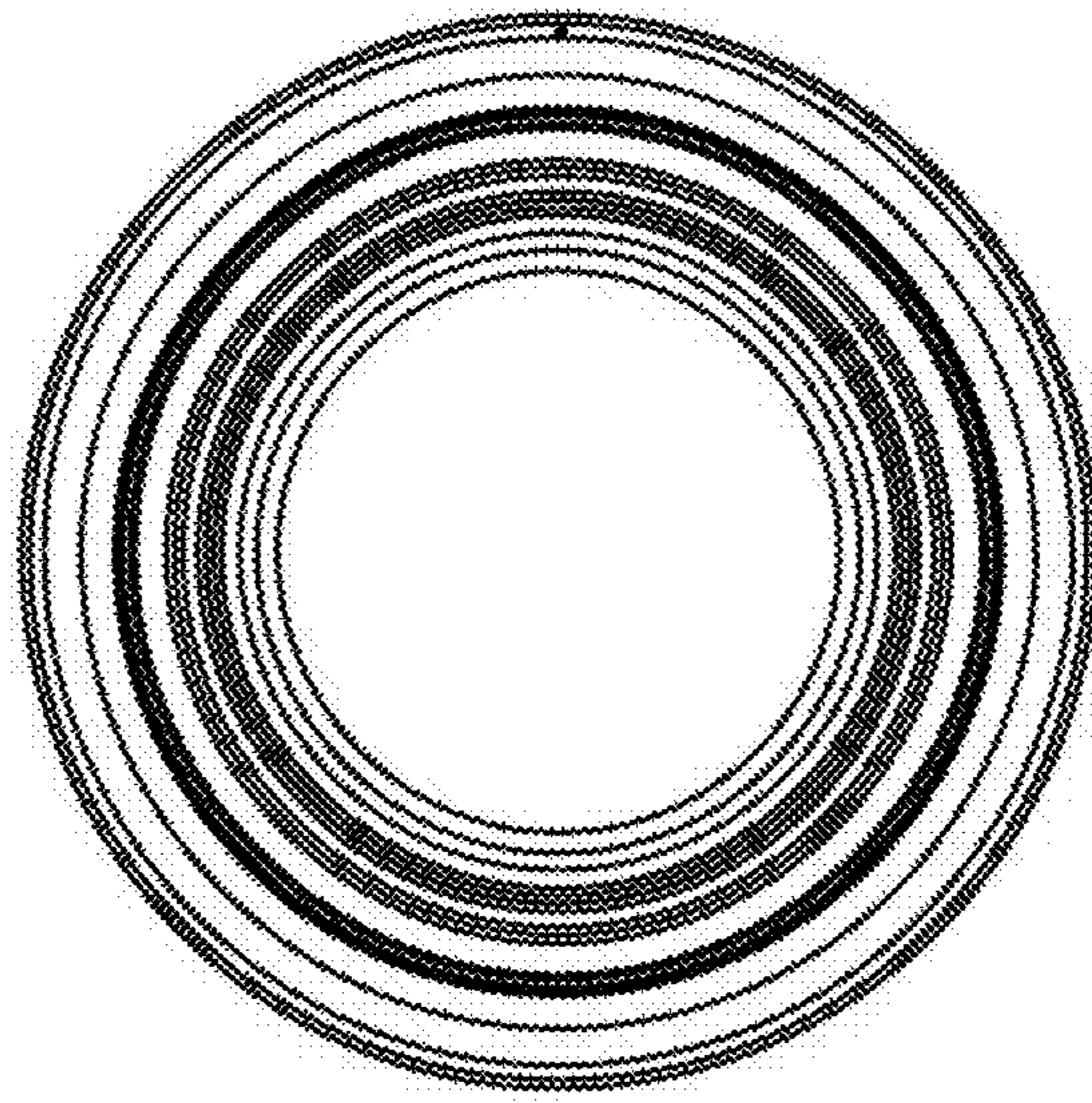
1.5



1.6



1.7



1.8

