



US00D888898S

(12) **United States Design Patent**  
**Soulier et al.**

(10) **Patent No.:** **US D888,898 S**  
(45) **Date of Patent:** **\*\* Jun. 30, 2020**

- (54) **SHOWER HANDLE ASSEMBLY**
- (71) Applicant: **Kohler Co.**, Kohler, WI (US)
- (72) Inventors: **Jean-Hugues Soulier**, Paris (FR);  
**Ferran Serra Sola**, Paris (FR); **Chia Lee**,  
Chicago, IL (US); **Jimin Niu**, Beijing (CN);  
**Sophie Su**, Shanghai (CN); **Hui Ren**, Beijing (CN)
- (73) Assignee: **KOHLER CO.**, Kohler, WI (US)
- (\*\*) Term: **15 Years**
- (21) Appl. No.: **29/637,714**
- (22) Filed: **Feb. 21, 2018**
- (51) **LOC (12) Cl.** ..... **23-01**
- (52) **U.S. Cl.**  
USPC ..... **D23/254**
- (58) **Field of Classification Search**  
USPC ..... D23/238–243, 250, 252, 254;  
D8/307–308, 352  
CPC . E03C 1/02; E03C 1/04; E03C 1/0408; E03C  
1/042; E03C 1/0409; E03C 2001/0414;  
E03C 1/0412  
See application file for complete search history.

- D568,447 S \* 5/2008 Lai ..... D23/252
- D592,284 S \* 5/2009 Lammel ..... D23/254
- D624,991 S \* 10/2010 Kulig ..... D23/242
- D627,861 S 11/2010 Sandee et al.
- D698,012 S \* 1/2014 Schoenherr ..... D8/352
- D726,883 S \* 4/2015 Flowers ..... D23/254
- D730,492 S \* 5/2015 Flowers ..... D23/254
- D743,508 S \* 11/2015 Nikles ..... D23/252
- D783,131 S \* 4/2017 Wang ..... D23/254
- D789,493 S \* 6/2017 Dube ..... D23/254
- D793,534 S \* 8/2017 Fritz ..... D23/242
- D863,510 S \* 10/2019 Meyers ..... D23/254

\* cited by examiner

*Primary Examiner* — Robert A Delehanty

(74) *Attorney, Agent, or Firm* — Foley & Lardner LLP

(57) **CLAIM**

We claim the ornamental design for a shower handle assembly, as shown and described.

**DESCRIPTION**

FIG. 1 is a perspective view of an embodiment of the claimed design;  
 FIG. 2 is a front elevation view thereof;  
 FIG. 3 is a rear elevation view thereof;  
 FIG. 4 is a view thereof from the first direction;  
 FIG. 5 is a view thereof from the second direction;  
 FIG. 6 is a view thereof from the third direction; and,  
 FIG. 7 is a view thereof from the fourth direction.

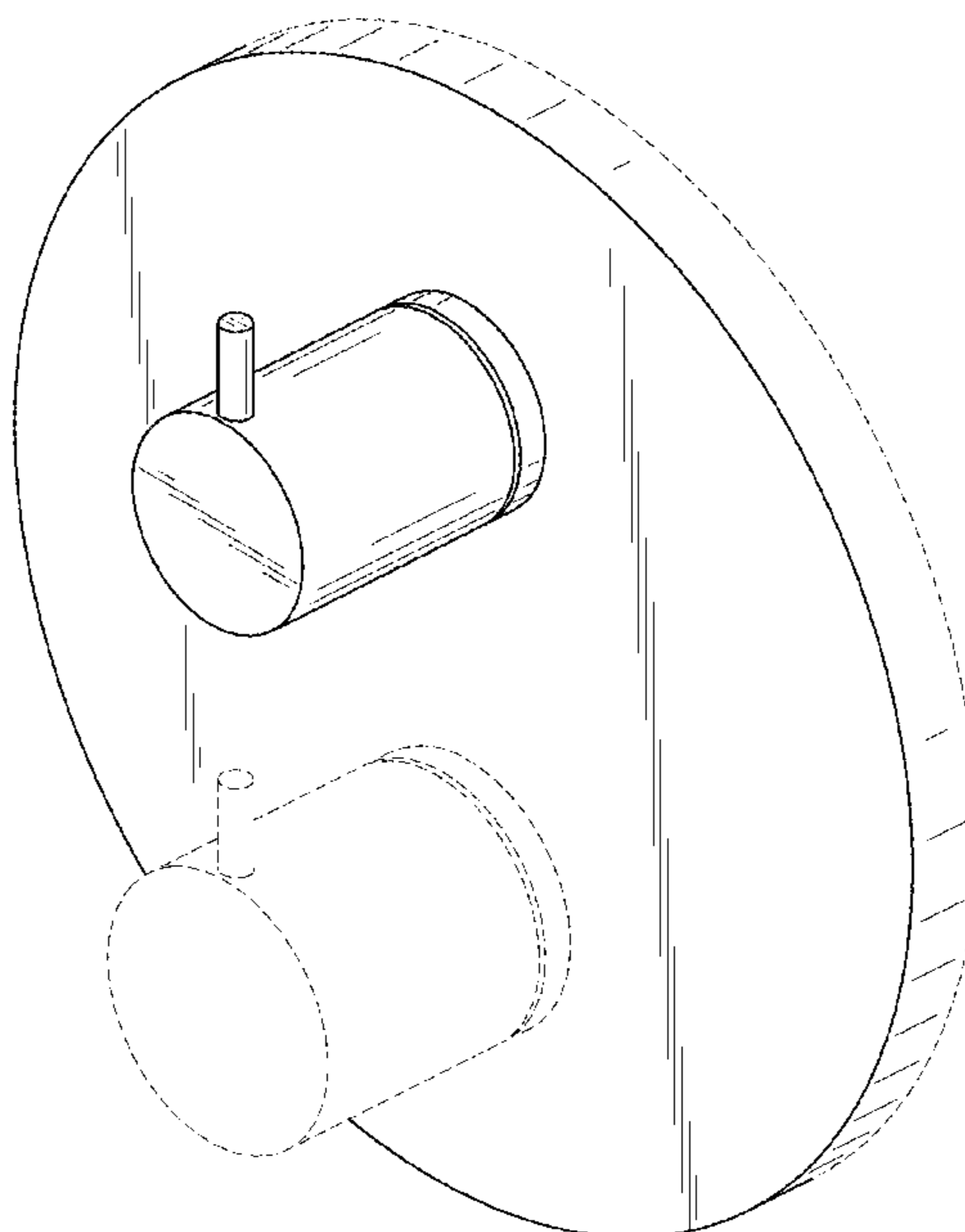
The ornamental design which is claimed is shown in solid lines in the drawings. The broken lines in the drawings are for illustrative purposes only and form no part of the claimed design. Broken lines formed by equal length dashes show unclaimed subject matter. Broken lines formed by unequal length dashes (i.e., dash-dot) define bounds of the claimed design. Broken away symbols having a jagged element show that no particular length of the portion is claimed.

**1 Claim, 5 Drawing Sheets**

(56) **References Cited**

U.S. PATENT DOCUMENTS

- D311,438 S \* 10/1990 Strignano ..... D23/242
- D331,099 S \* 11/1992 Gottwald ..... D23/254
- D441,844 S \* 5/2001 Fleischmann ..... D23/252
- D441,845 S \* 5/2001 Fleischmann ..... D23/254
- D462,421 S 9/2002 Hundley
- D494,661 S \* 8/2004 Zieger ..... D23/245
- D531,277 S 10/2006 Tsai
- D535,725 S \* 1/2007 Chu ..... D23/241
- D542,384 S \* 5/2007 Starck ..... D23/254



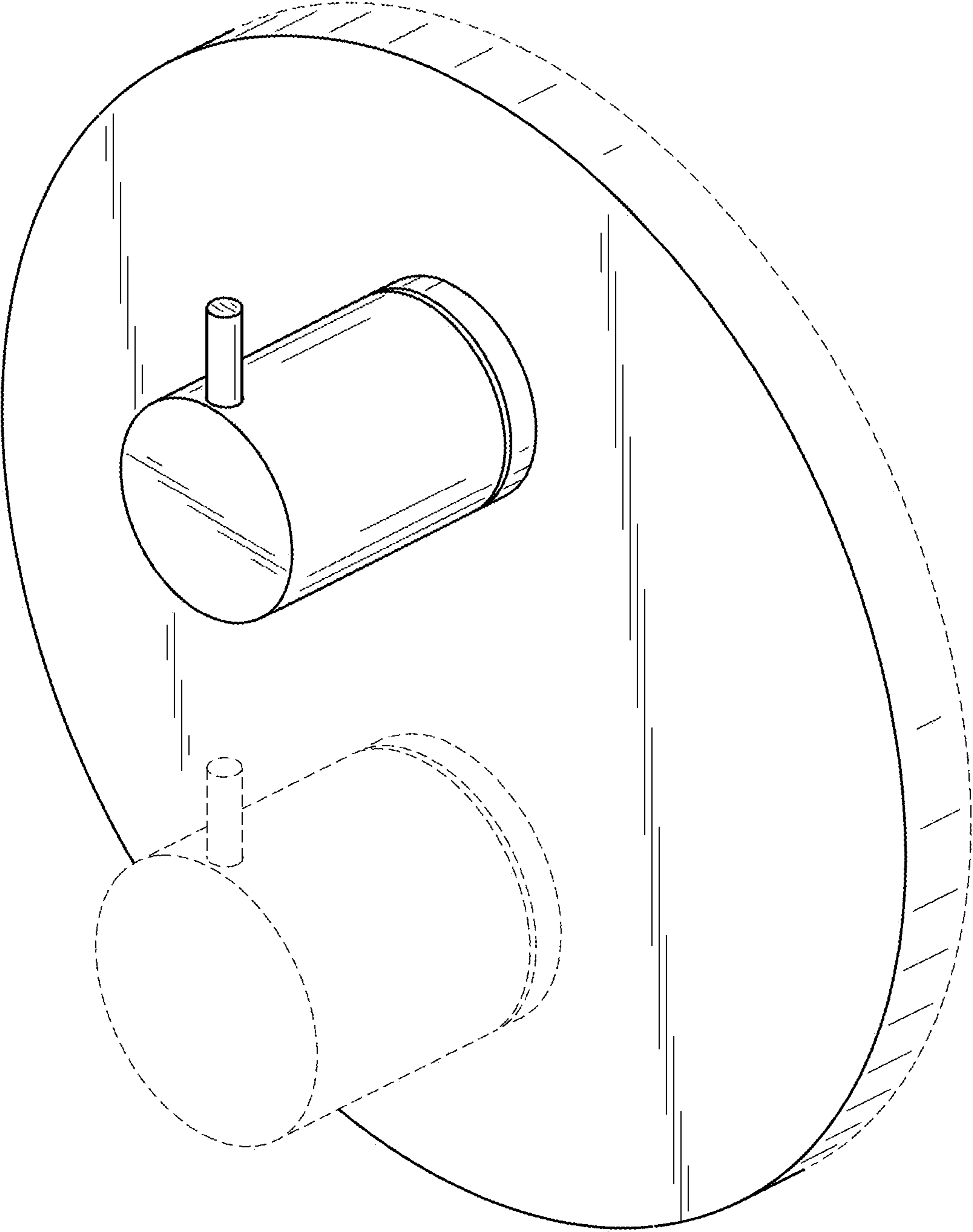


FIG. 1

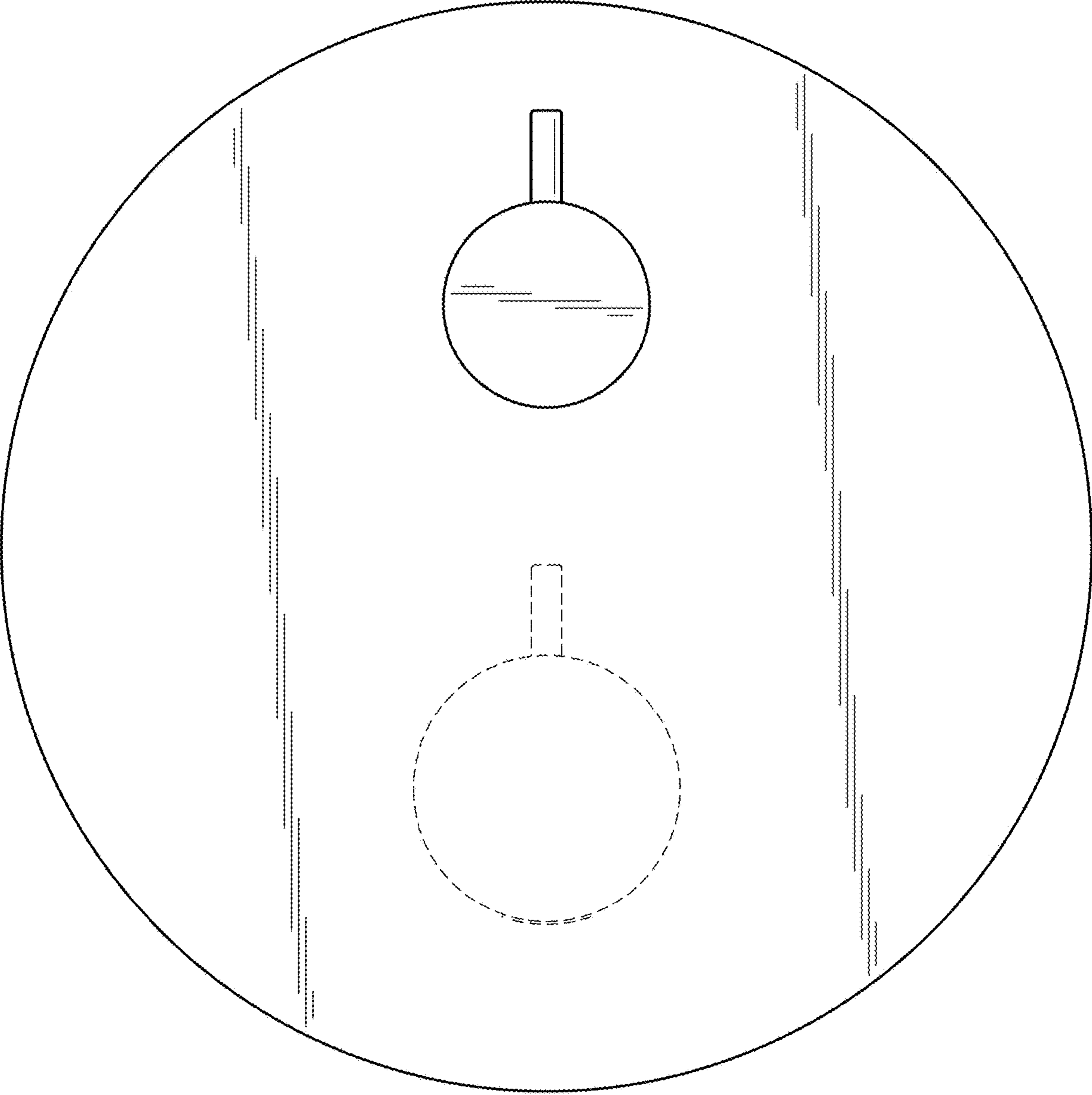


FIG. 2

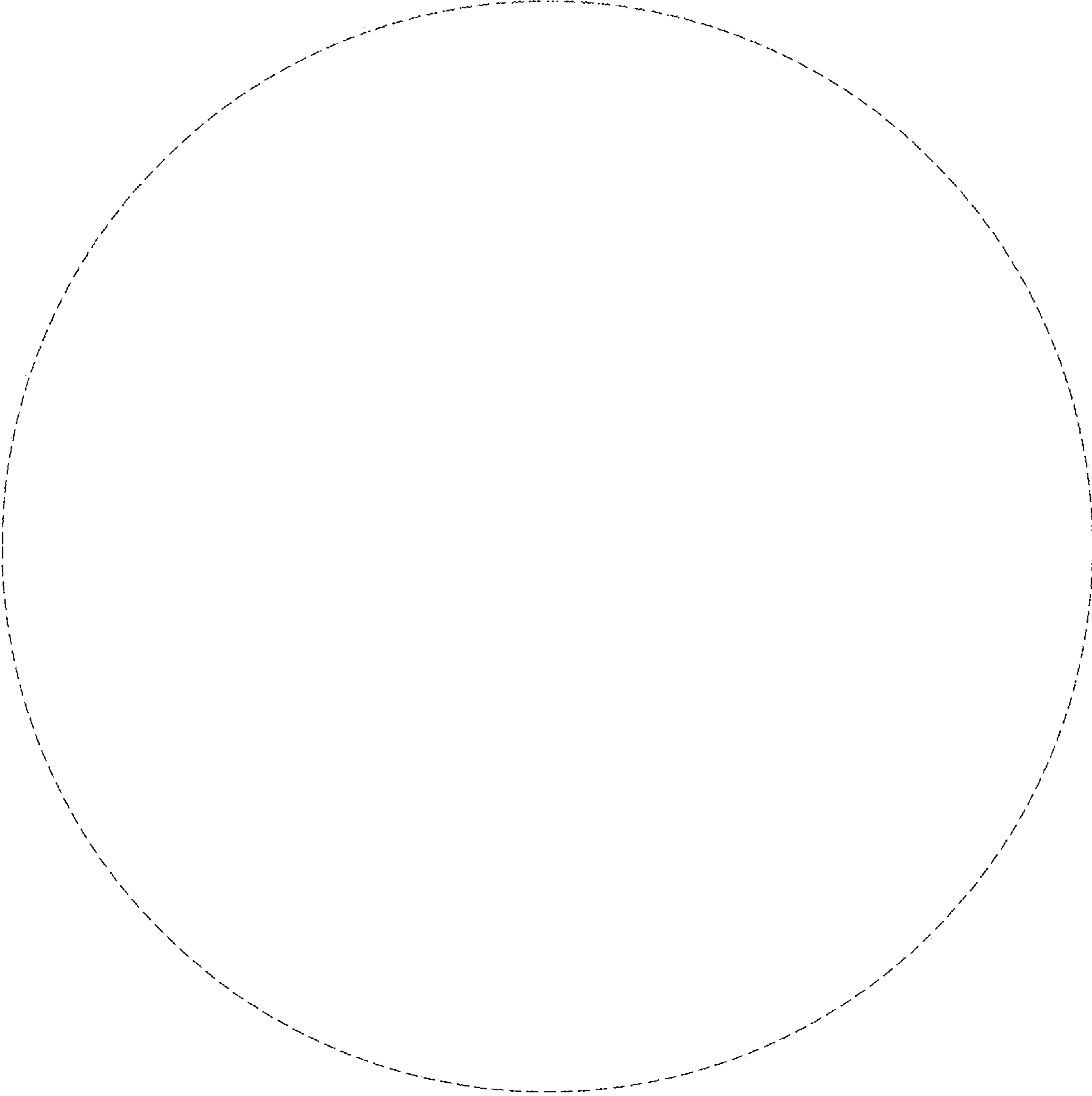


FIG. 3

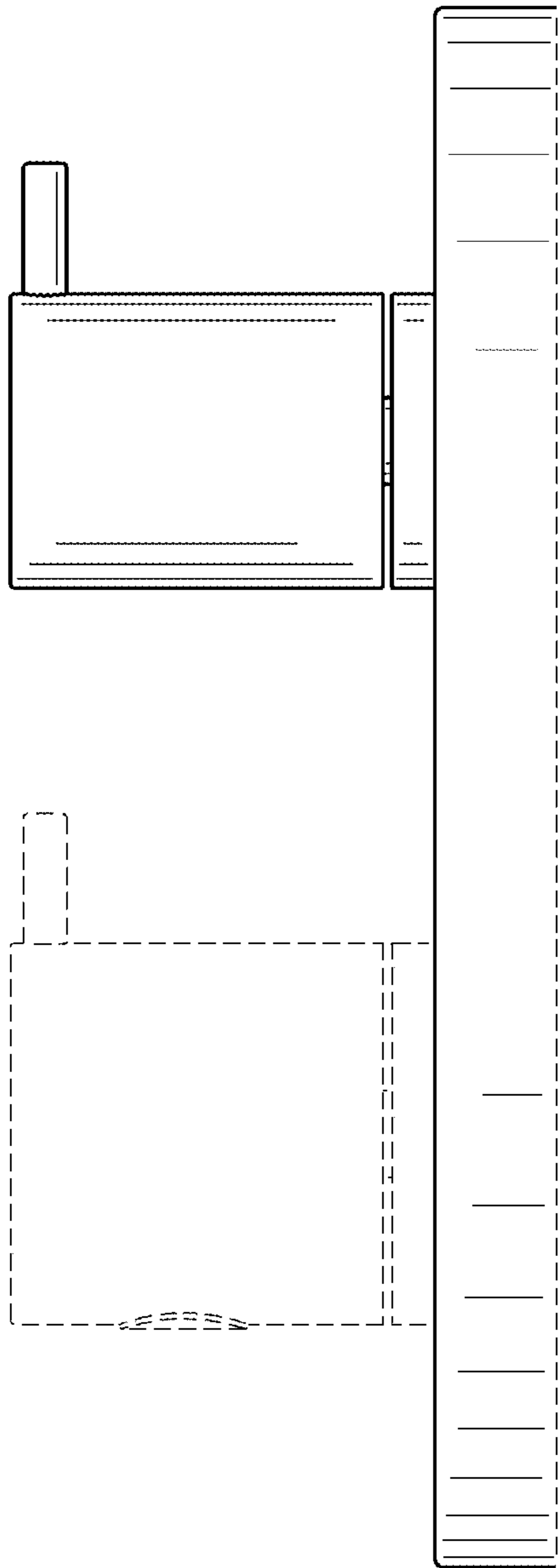


FIG. 4

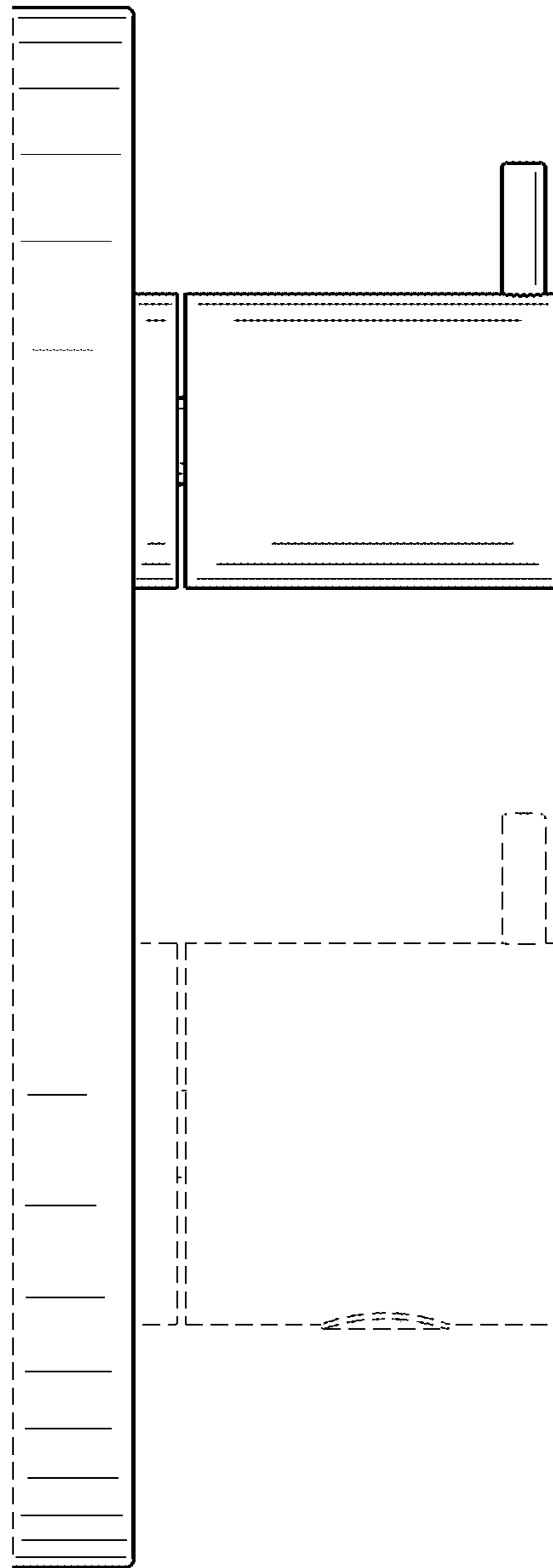


FIG. 5

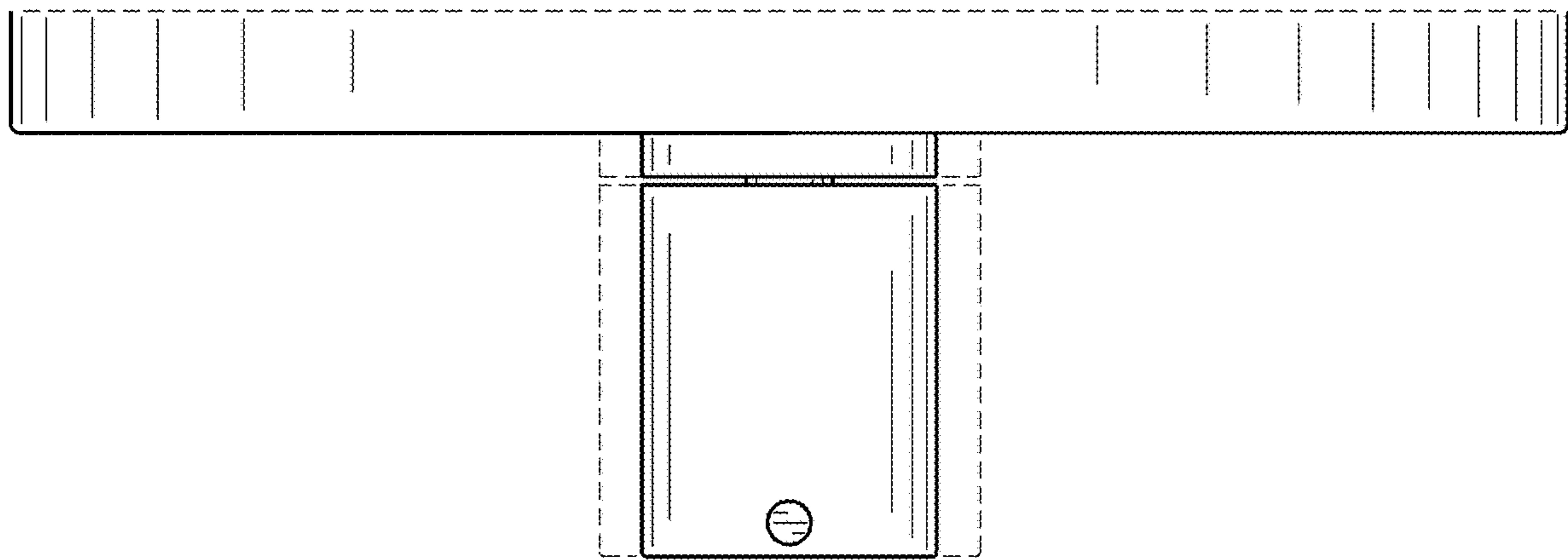


FIG. 6

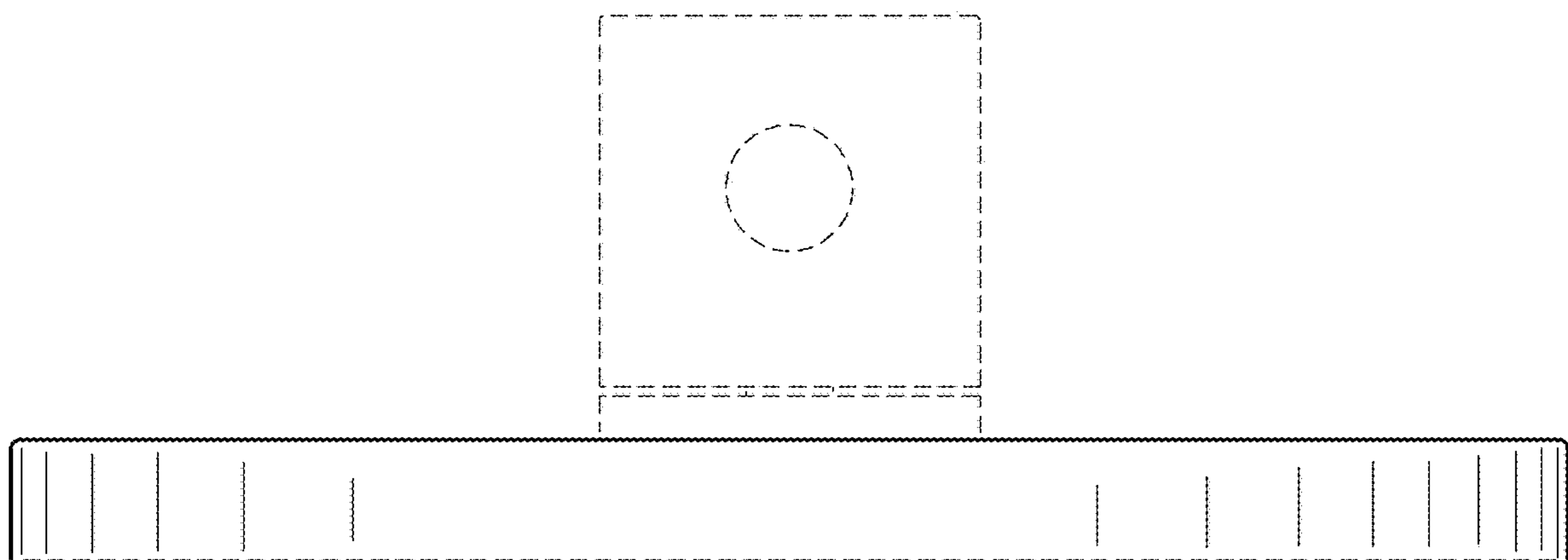


FIG. 7