



US00D888897S

(12) **United States Design Patent** (10) **Patent No.:** **US D888,897 S**
Soulier et al. (45) **Date of Patent:** **** Jun. 30, 2020**

(54) **SHOWER HANDLE ASSEMBLY**
(71) Applicant: **Kohler Co.**, Kohler, WI (US)
(72) Inventors: **Jean-Hugues Soulier**, Paris (FR); **Ferran Serra Sola**, Paris (FR); **Chia Lee**, Chicago, IL (US); **Jimin Niu**, Beijing (CN); **Sophie Su**, Shanghai (CN); **Hui Ren**, Beijing (CN)
(73) Assignee: **KOHLER CO.**, Kohler, WI (US)
(**) Term: **15 Years**
(21) Appl. No.: **29/637,718**
(22) Filed: **Feb. 21, 2018**
(51) **LOC (12) Cl.** **23-01**
(52) **U.S. Cl.**
USPC **D23/253**; D23/254
(58) **Field of Classification Search**
USPC D23/238–243, 250, 252–254;
D8/307–308, 310, 352
CPC . E03C 1/02; E03C 1/04; E03C 1/0408; E03C
1/042; E03C 1/0409; E03C 2001/0414;
E03C 1/0412
See application file for complete search history.

(56) **References Cited**
U.S. PATENT DOCUMENTS
D110,995 S * 8/1938 Bellem, Jr. D8/310
D127,734 S * 6/1941 Dreyfuss D23/253
D311,438 S * 10/1990 Strignano D23/242
D331,099 S * 11/1992 Gottwald D23/254
D441,844 S * 5/2001 Fleischmann D23/252
D441,845 S * 5/2001 Fleischmann D23/254
D462,421 S 9/2002 Hundley
D493,869 S * 8/2004 Citterio D23/245
D494,661 S * 8/2004 Zieger D23/245
D531,277 S 10/2006 Tsai

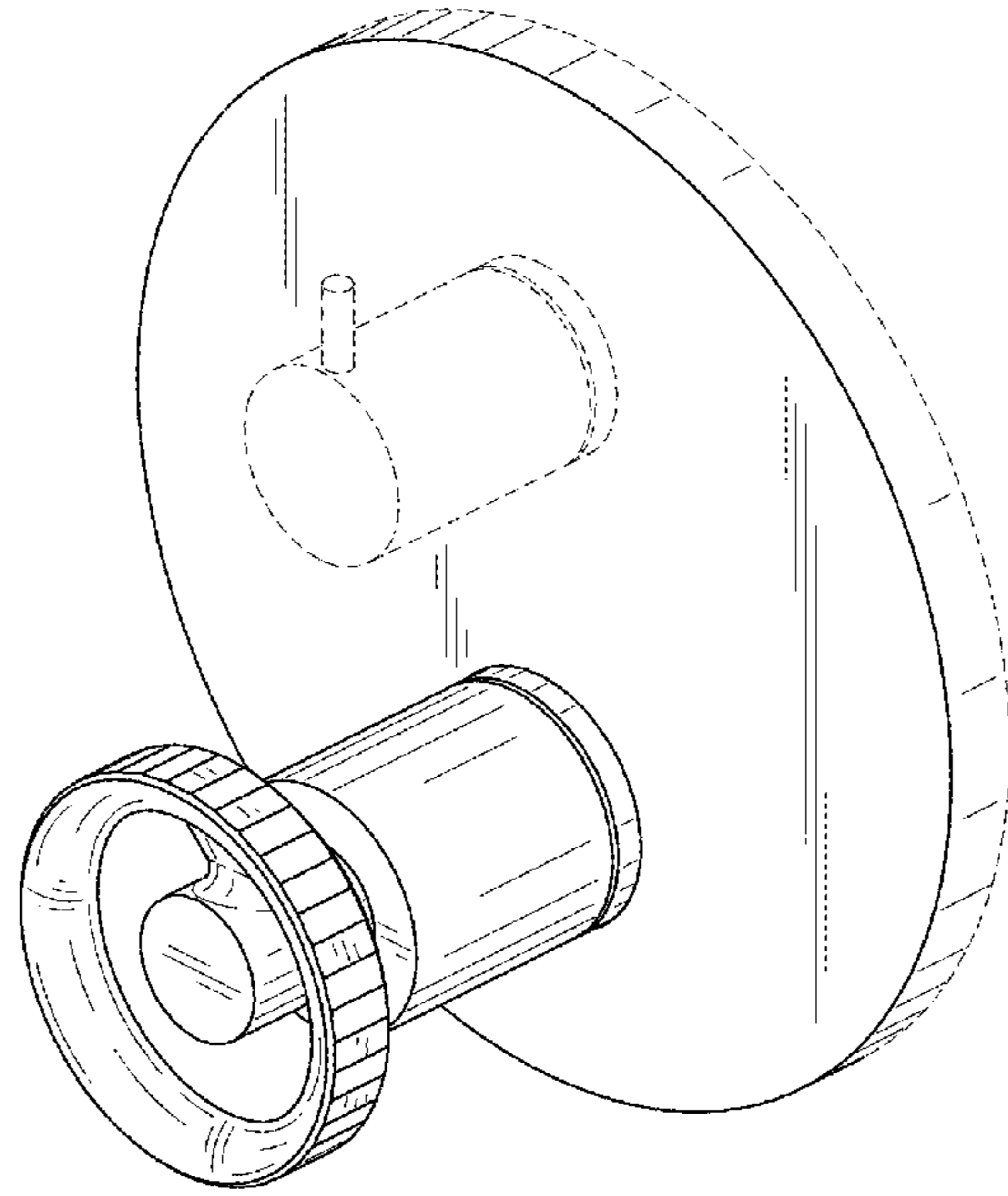
D535,725 S * 1/2007 Chu D23/241
D542,384 S * 5/2007 Starck D23/254
D568,447 S * 5/2008 Lai D23/252
D592,284 S * 5/2009 Lammel D23/254
D624,991 S * 10/2010 Kulig D23/242
D627,861 S 11/2010 Sandee et al.
D698,012 S * 1/2014 Schoenherr D8/352
D714,915 S * 10/2014 von der Lancken D23/253
D730,492 S * 5/2015 Flowers D23/254
D783,131 S * 4/2017 Wang D23/254
D823,993 S * 7/2018 Soulier D23/253
D862,662 S * 10/2019 Kulig D23/253

* cited by examiner
Primary Examiner — Robert A Delehanty
(74) *Attorney, Agent, or Firm* — Foley & Lardner LLP

(57) **CLAIM**
We claim the ornamental design for a shower handle assembly, as shown and described.

DESCRIPTION
FIG. 1 is a perspective view of an embodiment of the claimed design;
FIG. 2 is a front elevation view thereof;
FIG. 3 is a rear elevation view thereof;
FIG. 4 is a view thereof from the first direction;
FIG. 5 is a view thereof from the second direction;
FIG. 6 is a view thereof from the third direction; and,
FIG. 7 is a view thereof from the fourth direction.
The ornamental design which is claimed is shown in solid lines in the drawings. The broken lines in the drawings are for illustrative purposes only and form no part of the claimed design. Broken lines formed by equal length dashes show unclaimed subject matter. Broken lines formed by unequal length dashes (i.e., dash-dot) define bounds of the claimed design. Broken away symbols having a jagged element show that no particular length of the portion is claimed.

1 Claim, 5 Drawing Sheets



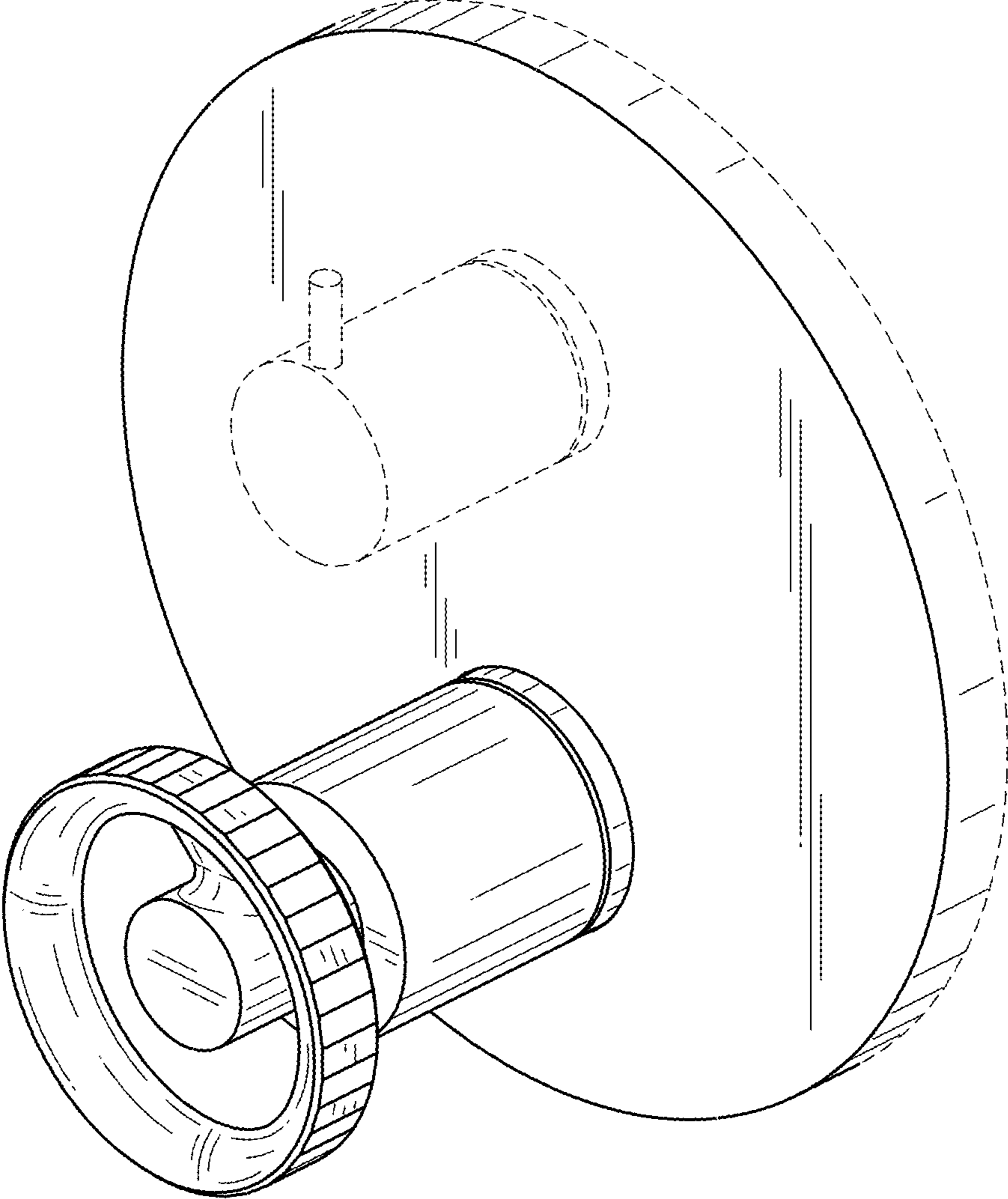


FIG. 1

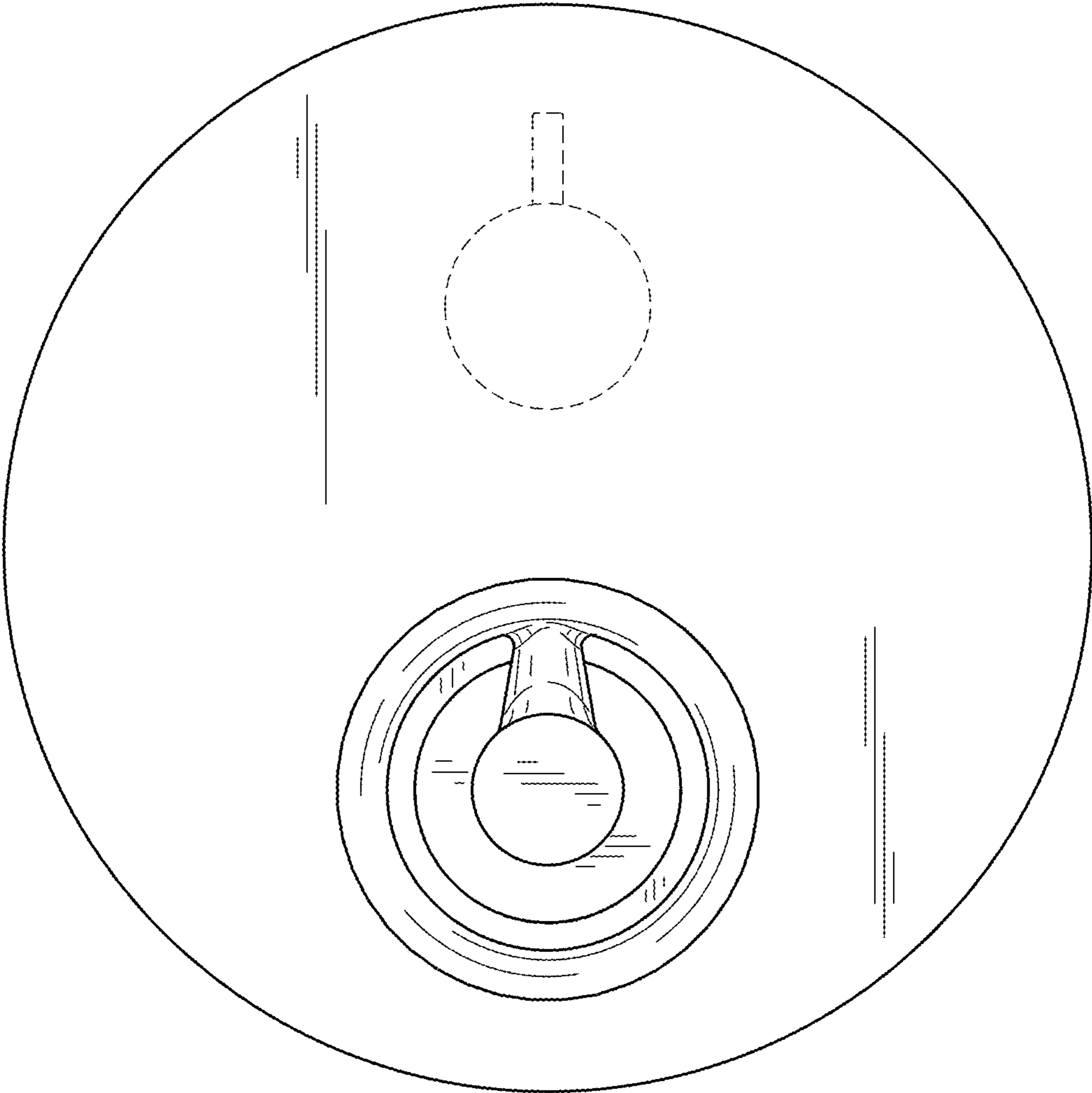


FIG. 2

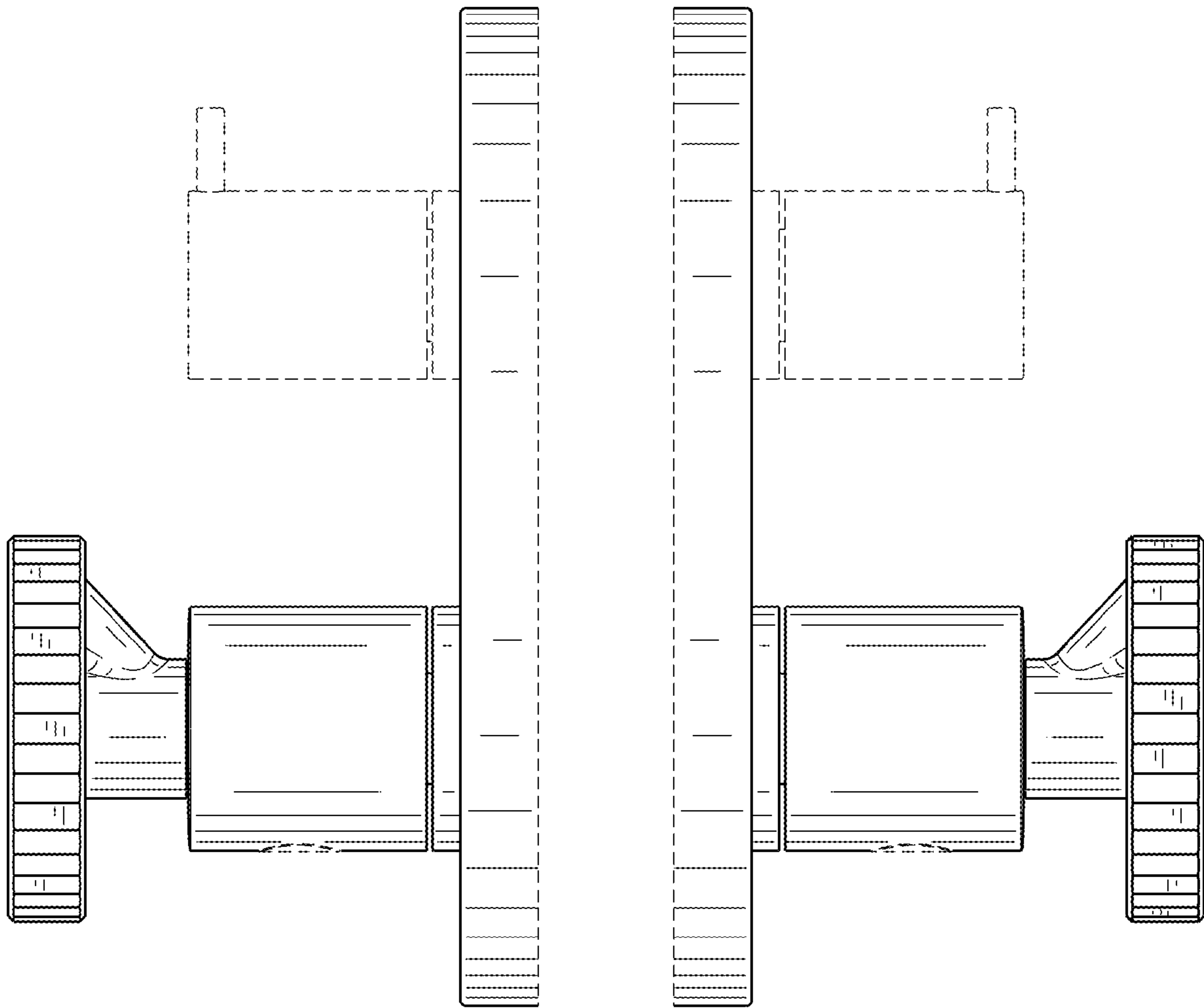


FIG. 3

FIG. 4

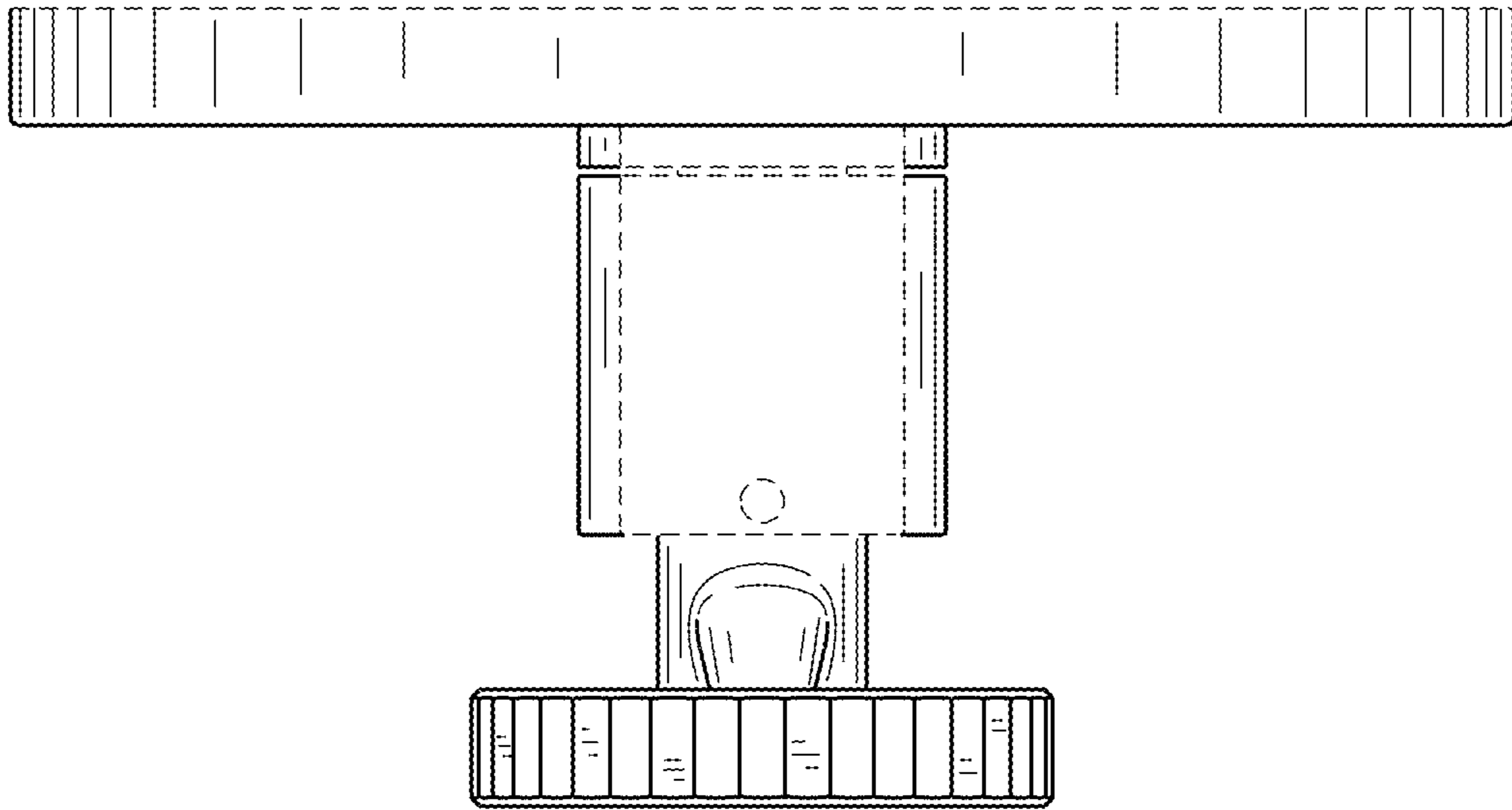


FIG. 5

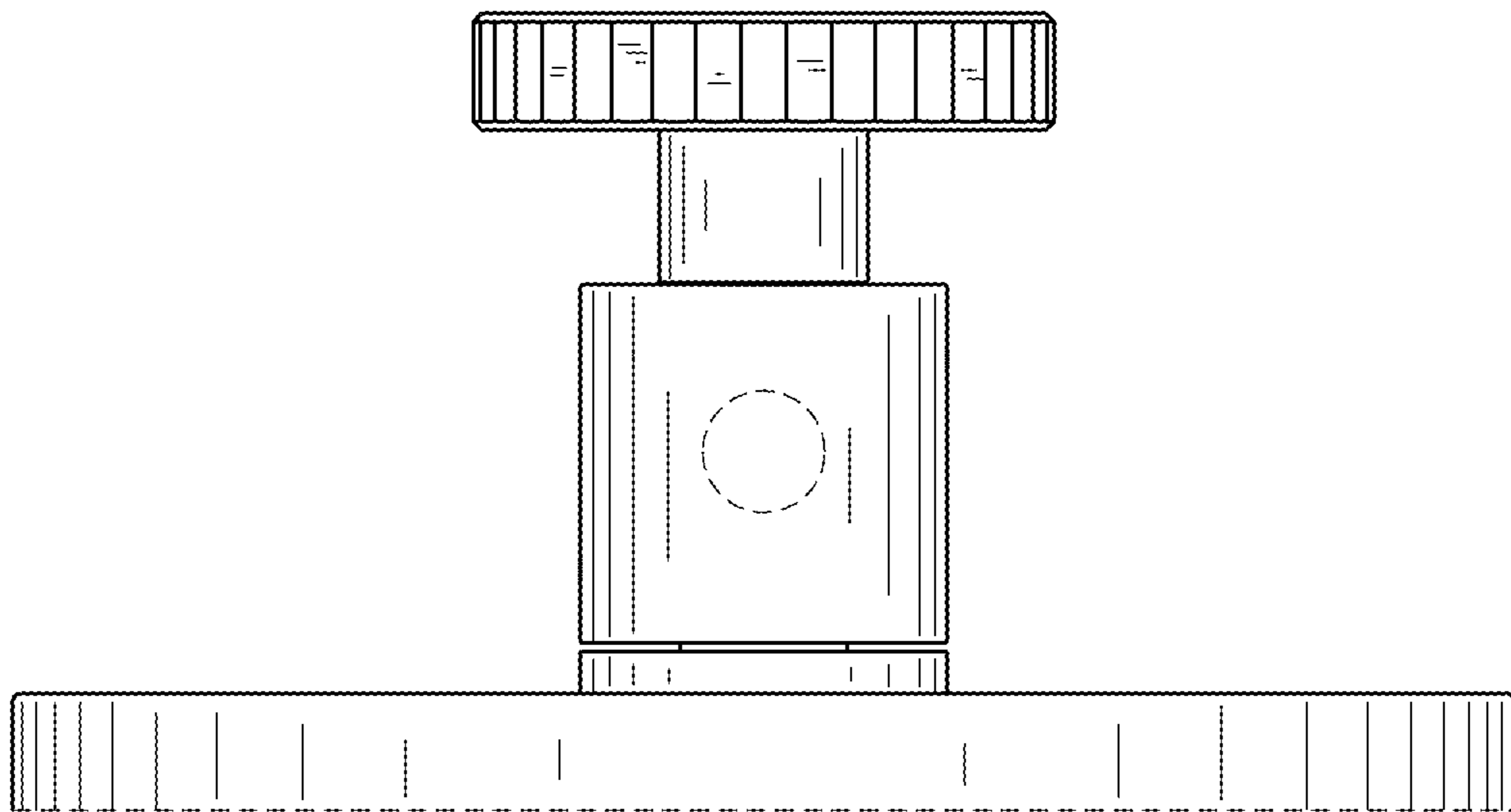


FIG. 6

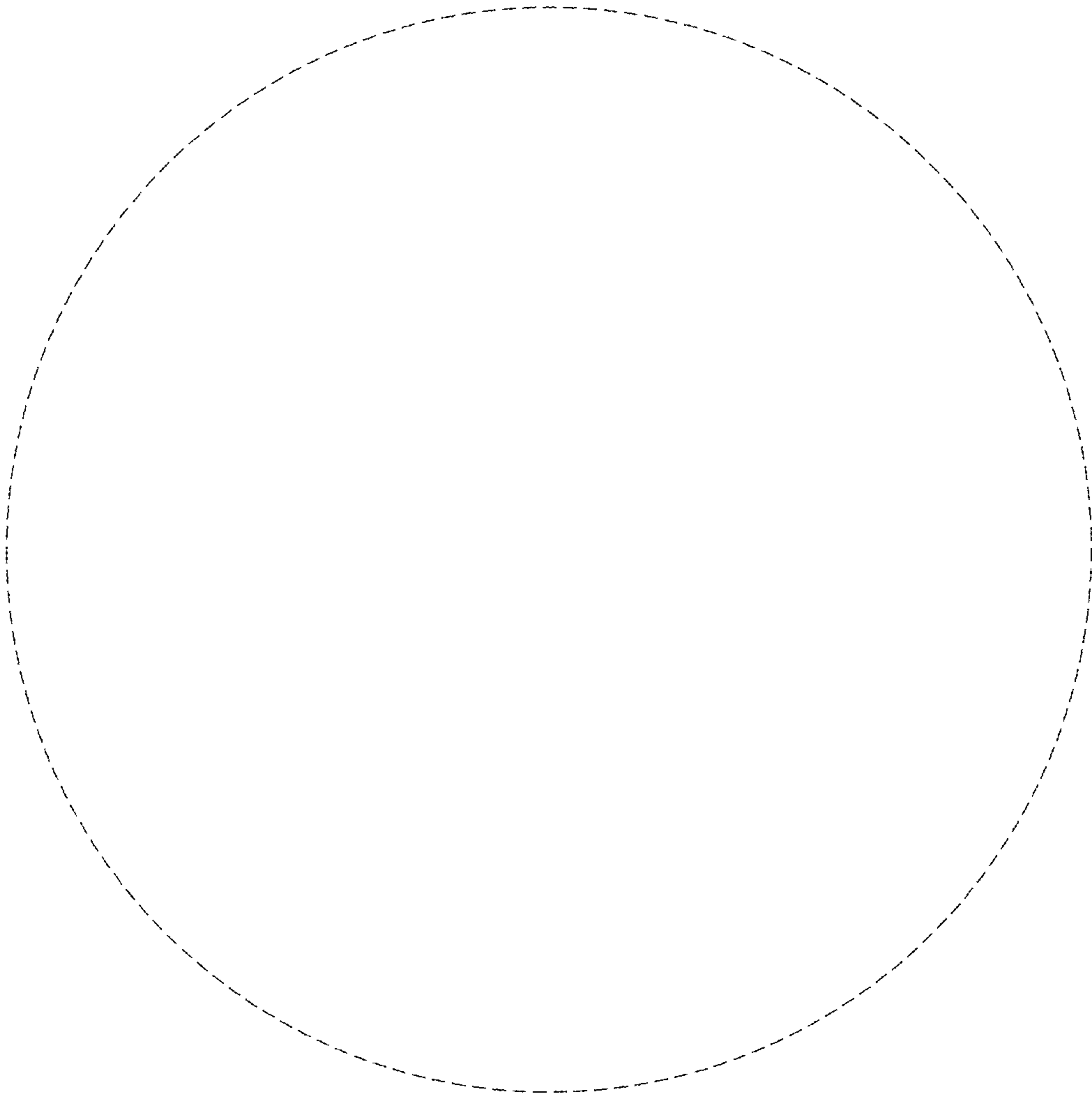


FIG. 7