



US00D888896S

(12) **United States Design Patent**  
**Ozburn**

(10) **Patent No.:** **US D888,896 S**  
(45) **Date of Patent:** **\*\* Jun. 30, 2020**

- (54) **HYDRANT BONNET SLEEVE**
- (71) Applicant: **Albert Glenn Ozburn**, Oxford, GA (US)
- (72) Inventor: **Albert Glenn Ozburn**, Oxford, GA (US)
- (\*\*) Term: **15 Years**
- (21) Appl. No.: **29/717,997**
- (22) Filed: **Dec. 20, 2019**

D554,974 S	11/2007	Huang	
D572,348 S *	7/2008	Arosio	D15/5
D599,894 S *	9/2009	Price	D23/262
D613,828 S	4/2010	Kinchen	
D679,171 S	4/2013	Sedwick	
8,657,021 B1	2/2014	Preta et al.	
D700,682 S	3/2014	Bayyouk et al.	
D748,228 S	1/2016	Bayyouk et al.	
D787,029 S	5/2017	Bayyouk et al.	
D856,498 S *	8/2019	Bayyouk	D23/269
D873,967 S *	1/2020	Ozburn	D23/249
2010/0295672 A1	11/2010	Hyland et al.	

(Continued)

**Related U.S. Application Data**

- (62) Division of application No. 29/657,496, filed on Jul. 23, 2018, now Pat. No. Des. 873,967.
- (51) **LOC (12) Cl.** ..... **23-01**
- (52) **U.S. Cl.**  
USPC ..... **D23/249**
- (58) **Field of Classification Search**  
USPC ..... D23/233, 234-237, 241-249, 269, 260, D23/254, 259, 262; 123/188.2, 41.69, 123/41.41, 41.76, 41.77, 41.85, 188.1; 137/217, 15.18, 559, 219, 625.34, 514, 137/493.4, 272  
CPC ..... F16K 27/006; F16K 25/005; F16K 27/12  
See application file for complete search history.

**References Cited**

**U.S. PATENT DOCUMENTS**

4,398,556 A	8/1983	Pereira et al.	
4,727,900 A	3/1988	Dooling et al.	
D347,467 S *	5/1994	Medvick	D23/262
D379,493 S *	5/1997	Woods	D23/269
D382,943 S *	8/1997	Doughty	D23/259
D386,246 S *	11/1997	Sonden	D23/262
6,536,462 B1	3/2003	Laugen	
D473,934 S *	4/2003	Singtoroj	D23/254
6,935,360 B2	8/2005	Knappmiller	

**OTHER PUBLICATIONS**

Interview Summary corresponding to U.S. Appl. No. 16/042,420 dated Feb. 5, 2020.

(Continued)

*Primary Examiner* — Gino Colan  
(74) *Attorney, Agent, or Firm* — Jenkins, Wilson, Taylor & Hunt, P.A.

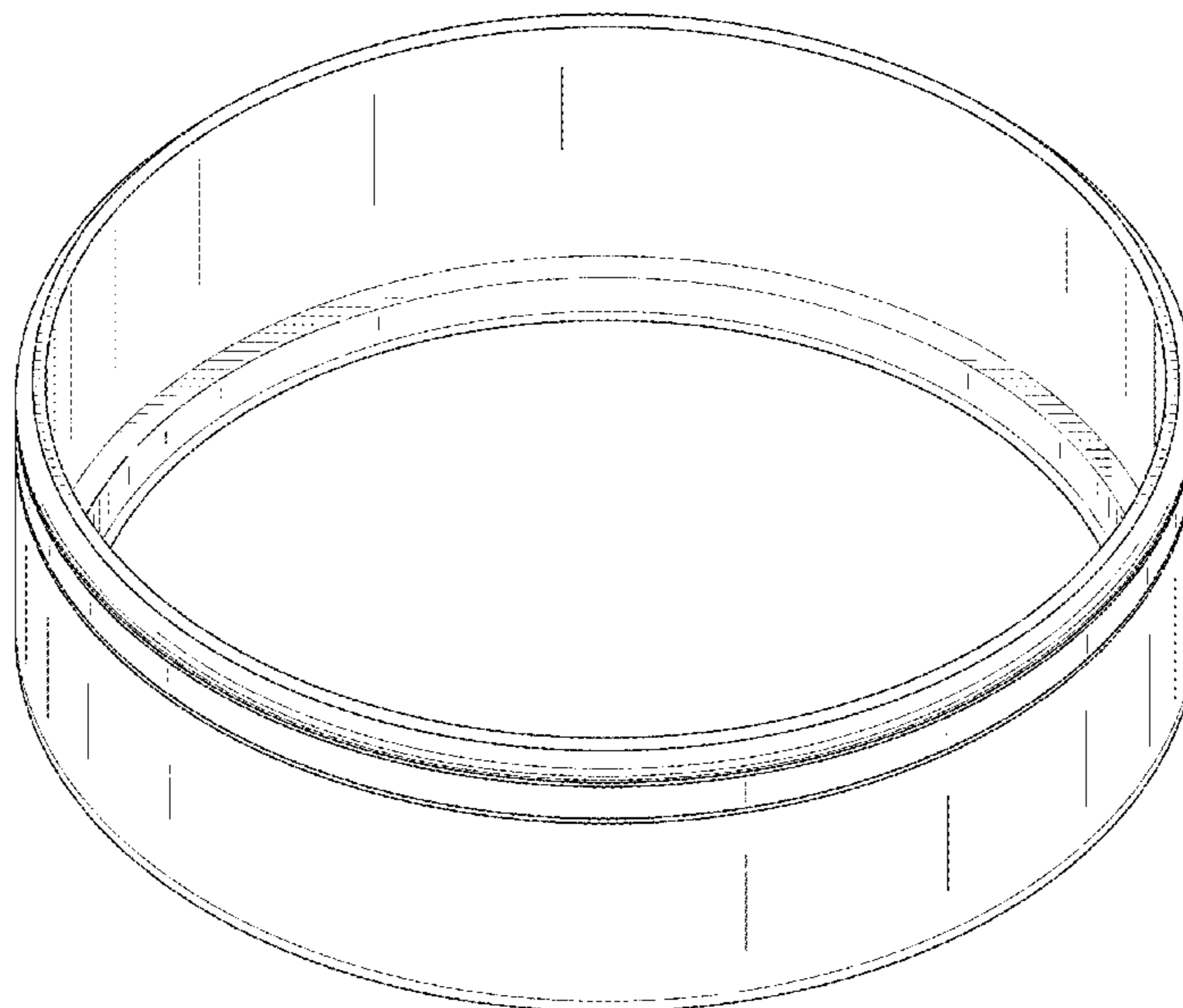
(57) **CLAIM**

The ornamental design for a hydrant bonnet sleeve, as shown and described.

**DESCRIPTION**

FIG. 1 is a top perspective view of the hydrant bonnet sleeve showing my new design;  
FIG. 2 is a bottom perspective view of FIG. 1;  
FIG. 3 is a top plan view of FIG. 1;  
FIG. 4 is a bottom plan view of FIG. 1;  
FIG. 5 is a side elevation view of FIG. 1; and,  
FIG. 6 is a side elevation view of FIG. 1, shown in an assembled condition on a fire hydrant.  
The broken lines shown in the figures are included for the purpose of illustrating environment and form no part of the claimed design.

**1 Claim, 6 Drawing Sheets**



(56)

**References Cited**

U.S. PATENT DOCUMENTS

2012/0261002 A1 10/2012 Sampson  
2019/0024352 A1 1/2019 Ozburn

OTHER PUBLICATIONS

Office Action corresponding to U.S. Appl. No. 16/042,420 dated Aug. 15, 2019.

Notice of Allowance corresponding to U.S. Appl. No. 29/657,496 dated Sep. 20, 2019.

Notice of Allowability corresponding to U.S. Appl. No. 29/657,496 dated Dec. 11, 2019.

\* cited by examiner

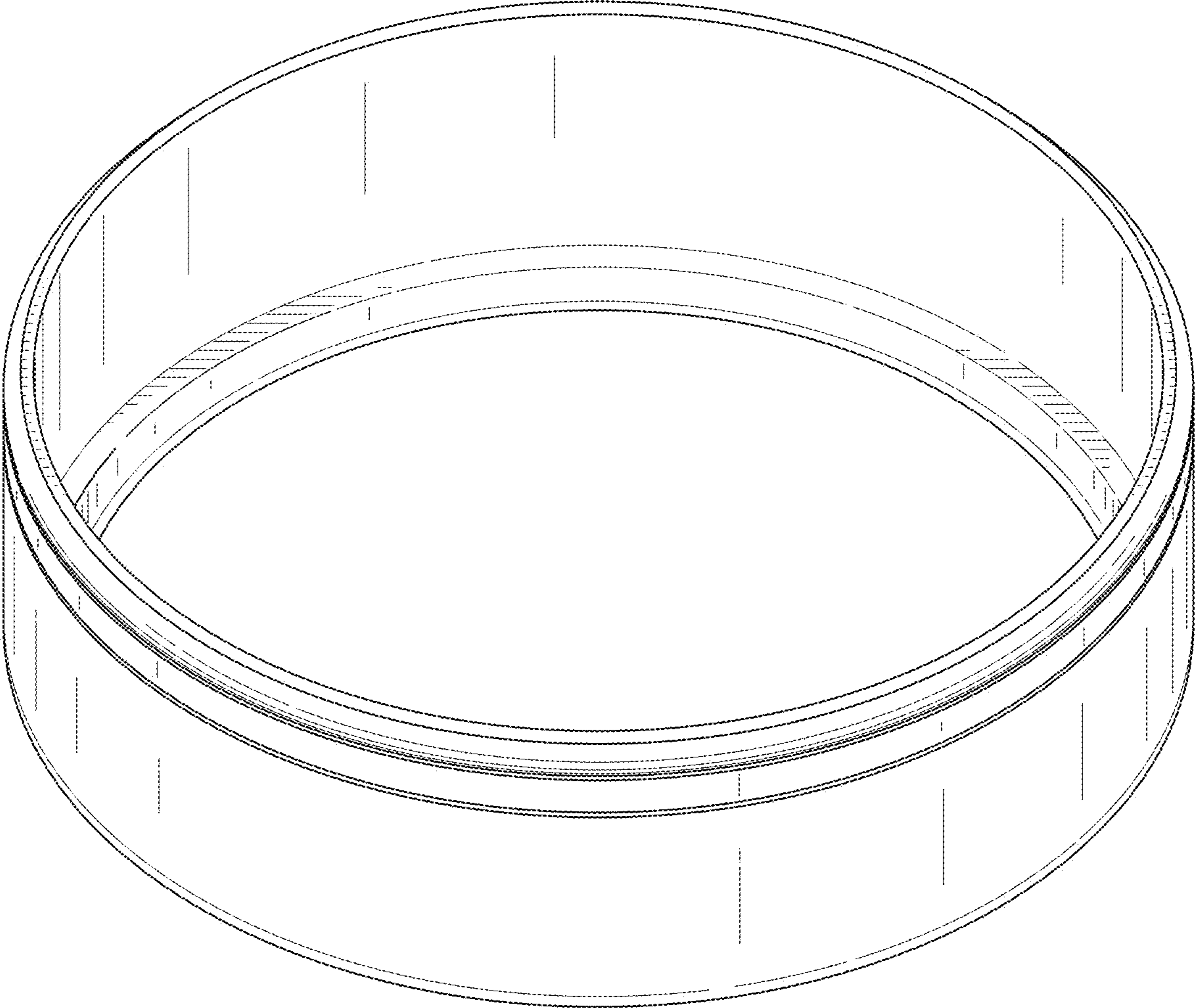


FIG. 1

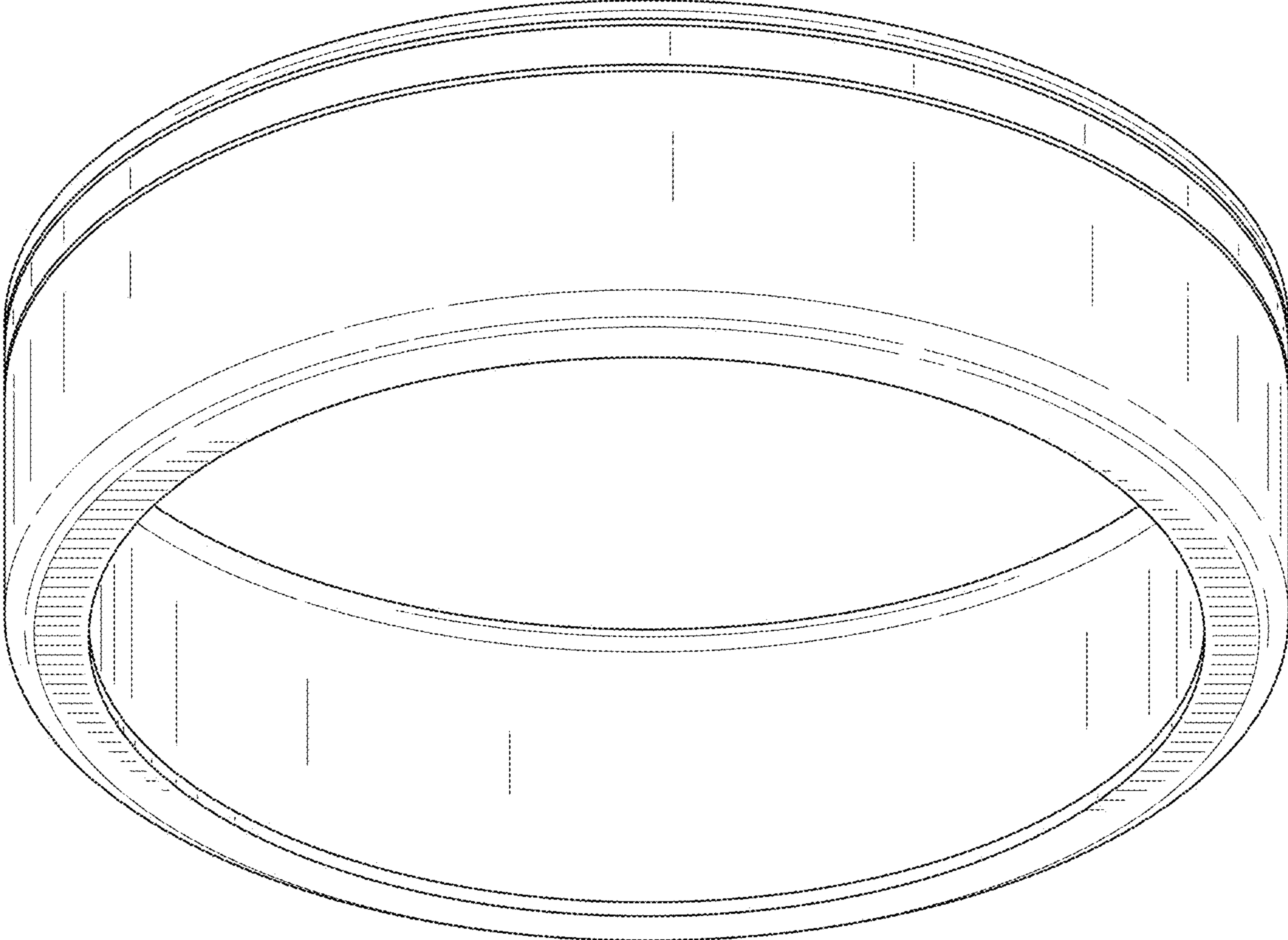


FIG. 2

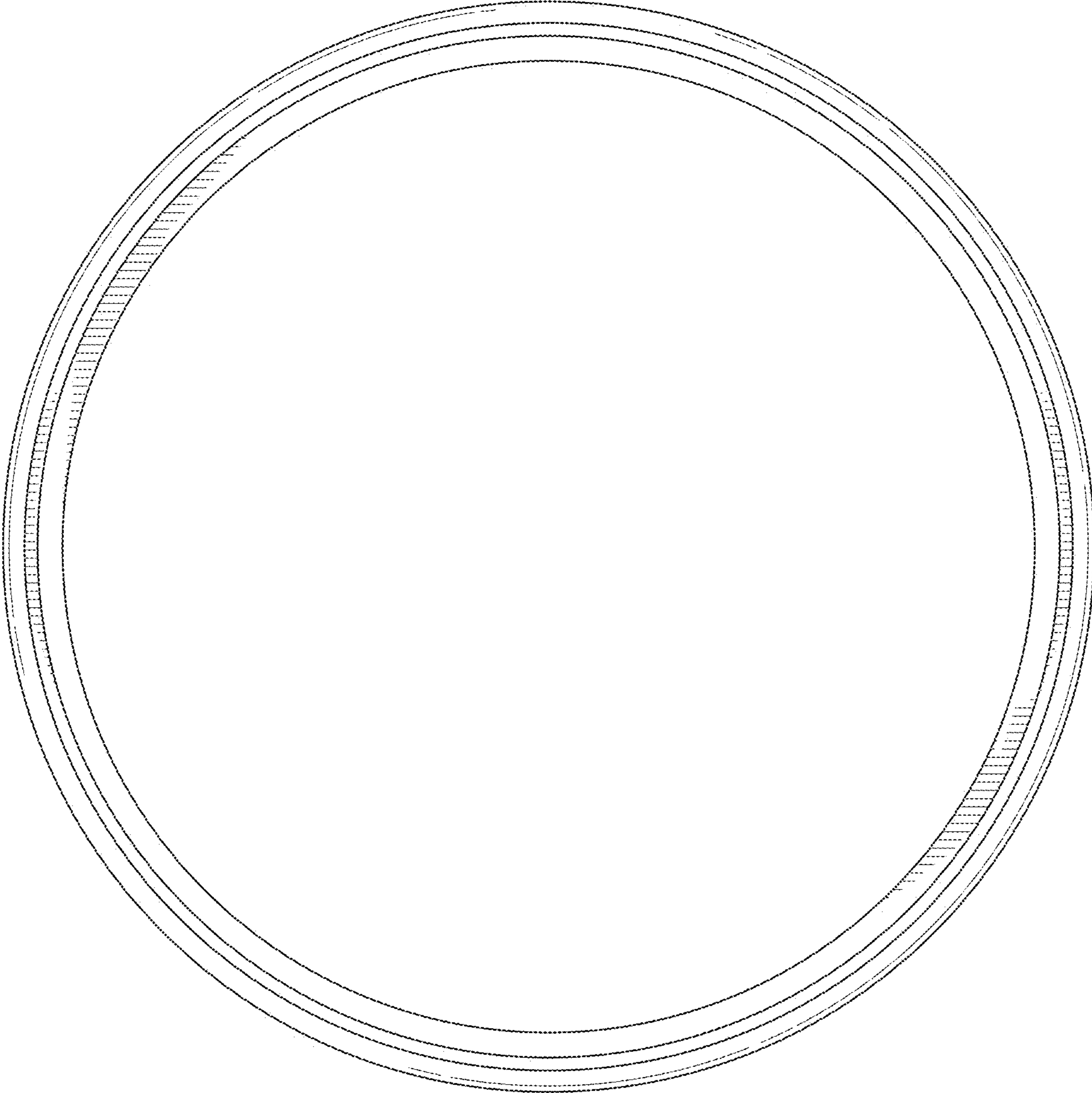


FIG. 3

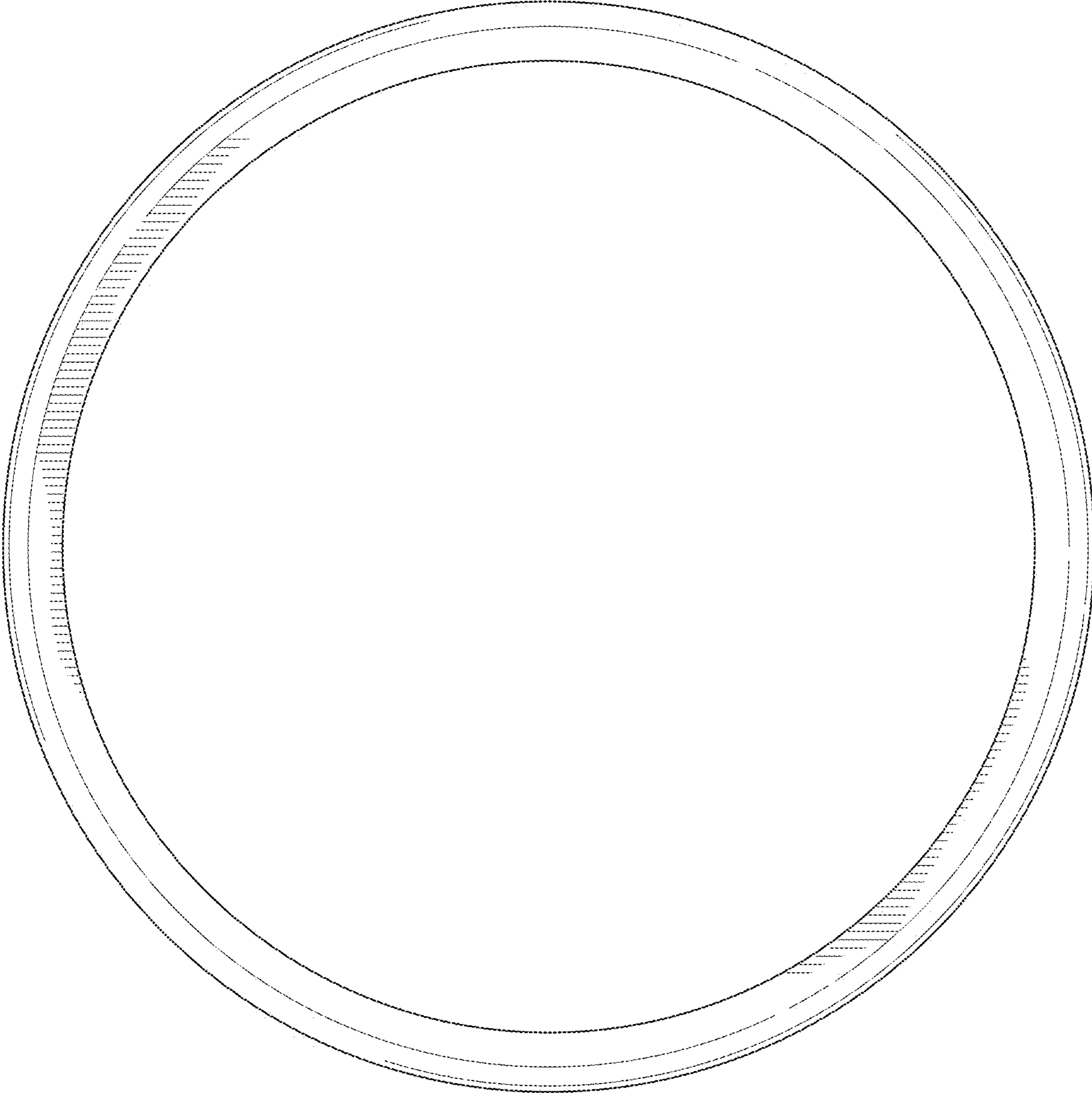
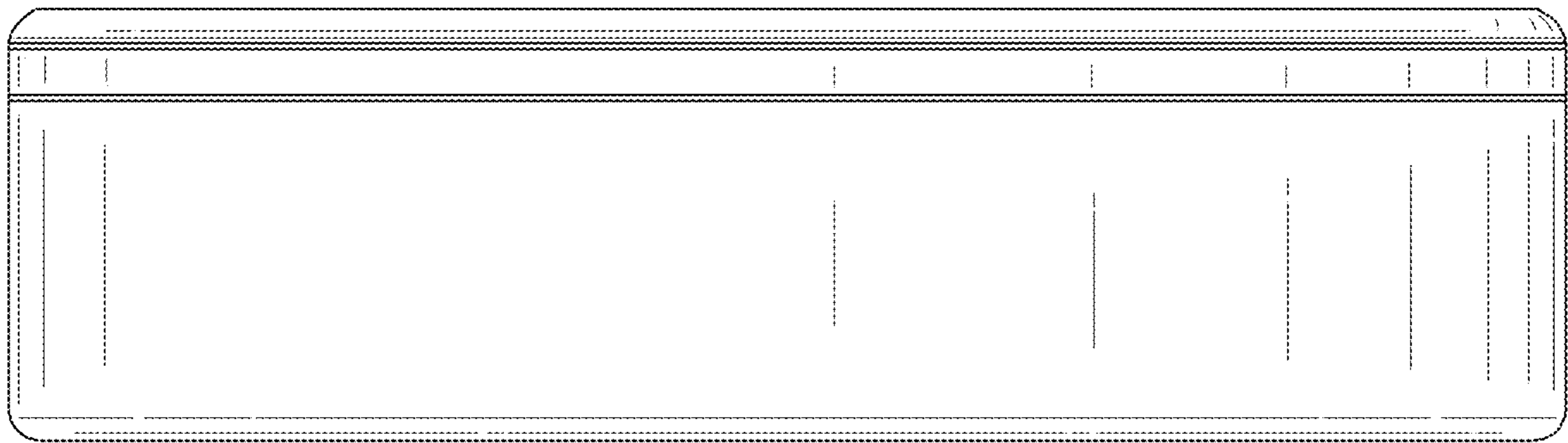
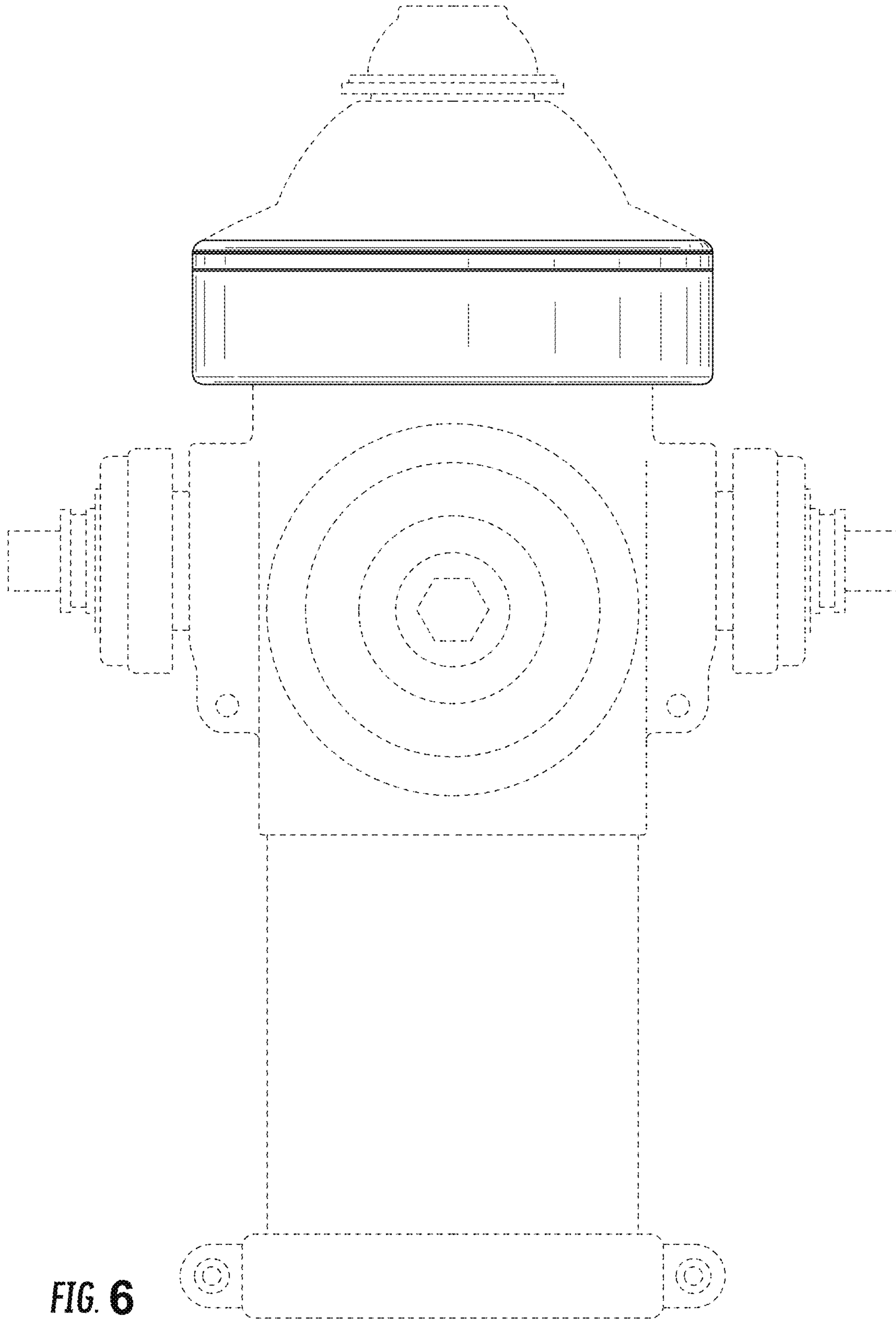


FIG. 4



**FIG. 5**



**FIG. 6**