



US00D888895S

(12) **United States Design Patent**  
**Kohshoh et al.**

(10) **Patent No.:** **US D888,895 S**

(45) **Date of Patent:** **\*\* Jun. 30, 2020**

(54) **VALVE ACTUATOR**

(71) Applicant: **ASAHI YUKIZAI CORPORATION**,  
Nobeoka-shi, Miyazaki (JP)

(72) Inventors: **Kenji Kohshoh**, Nobeoka (JP);  
**Shinobu Kamimura**, Nobeoka (JP)

(73) Assignee: **ASAHI YUKIZAI CORPORATION**,  
Nobeoka-Shi, Miyazaki (JP)

(\*\*) Term: **15 Years**

(21) Appl. No.: **29/651,449**

(22) Filed: **Aug. 16, 2018**

(30) **Foreign Application Priority Data**

Feb. 16, 2018 (JP) ..... 2018-003229

(51) **LOC (12) Cl.** ..... **23-01**

(52) **U.S. Cl.**  
USPC ..... **D23/249**

(58) **Field of Classification Search**

USPC ..... D23/233, 239, 249; 251/129.03, 129.11,  
251/129.15, 291, 341, 292, 214;  
D13/158; D15/149

CPC .. F16K 31/0675; F16K 15/183; F16K 35/027;  
F16K 37/0025

See application file for complete search history.

(56) **References Cited**

**U.S. PATENT DOCUMENTS**

D295,280 S \* 4/1988 Walser ..... D23/239  
4,754,949 A \* 7/1988 Fukamachi ..... F16K 31/535  
251/129.03

D552,643 S \* 10/2007 Bonomi ..... D15/149  
D614,150 S \* 4/2010 Crites ..... D13/158  
8,132,784 B2 \* 3/2012 Ferrero ..... F16K 31/041  
251/214  
D754,819 S \* 4/2016 Bonomi ..... D23/233  
9,341,270 B2 \* 5/2016 Boretti ..... B23P 15/001  
2004/0099833 A1 \* 5/2004 Haikawa ..... F16K 31/041  
251/292  
2011/0240901 A1 \* 10/2011 Evertz ..... F16K 31/05  
251/341

**FOREIGN PATENT DOCUMENTS**

JP 1534838 S 10/2015

\* cited by examiner

*Primary Examiner* — Gino Colan

(74) *Attorney, Agent, or Firm* — Buchanan Ingersoll &  
Rooney PC

(57) **CLAIM**

The ornamental design for a valve actuator, as shown and described.

**DESCRIPTION**

FIG. 1 is a perspective view of a valve actuator showing our new design;

FIG. 2 is a front view thereof;

FIG. 3 is a rear view thereof;

FIG. 4 is a left side view thereof;

FIG. 5 is a right side view thereof;

FIG. 6 is a top plan view thereof; and,

FIG. 7 is a bottom plan view thereof.

The broken lines in the drawings are for the purpose of illustrating unclaimed portions of the valve actuator and form no part of the claimed design.

**1 Claim, 7 Drawing Sheets**

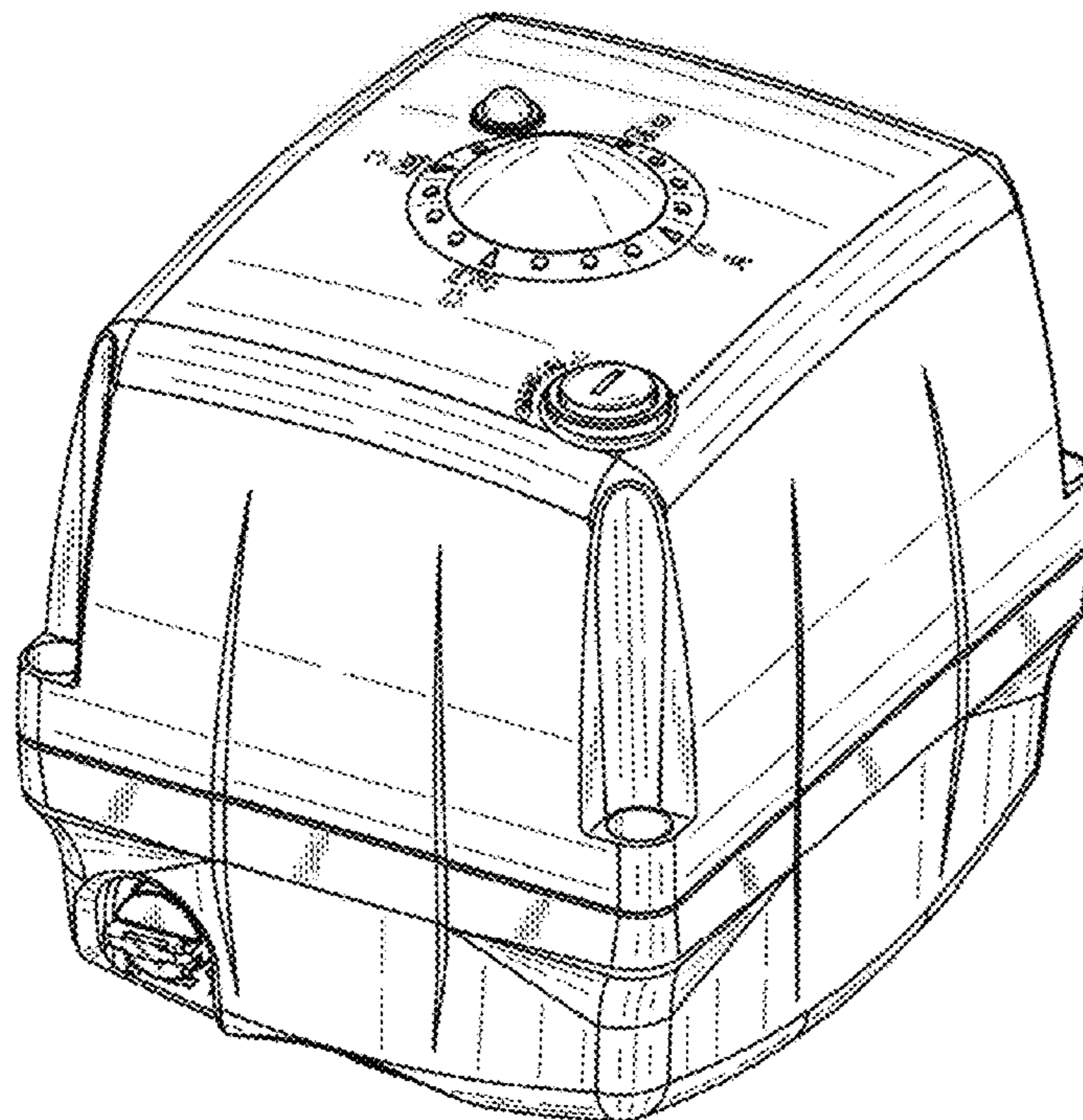


FIG. 1

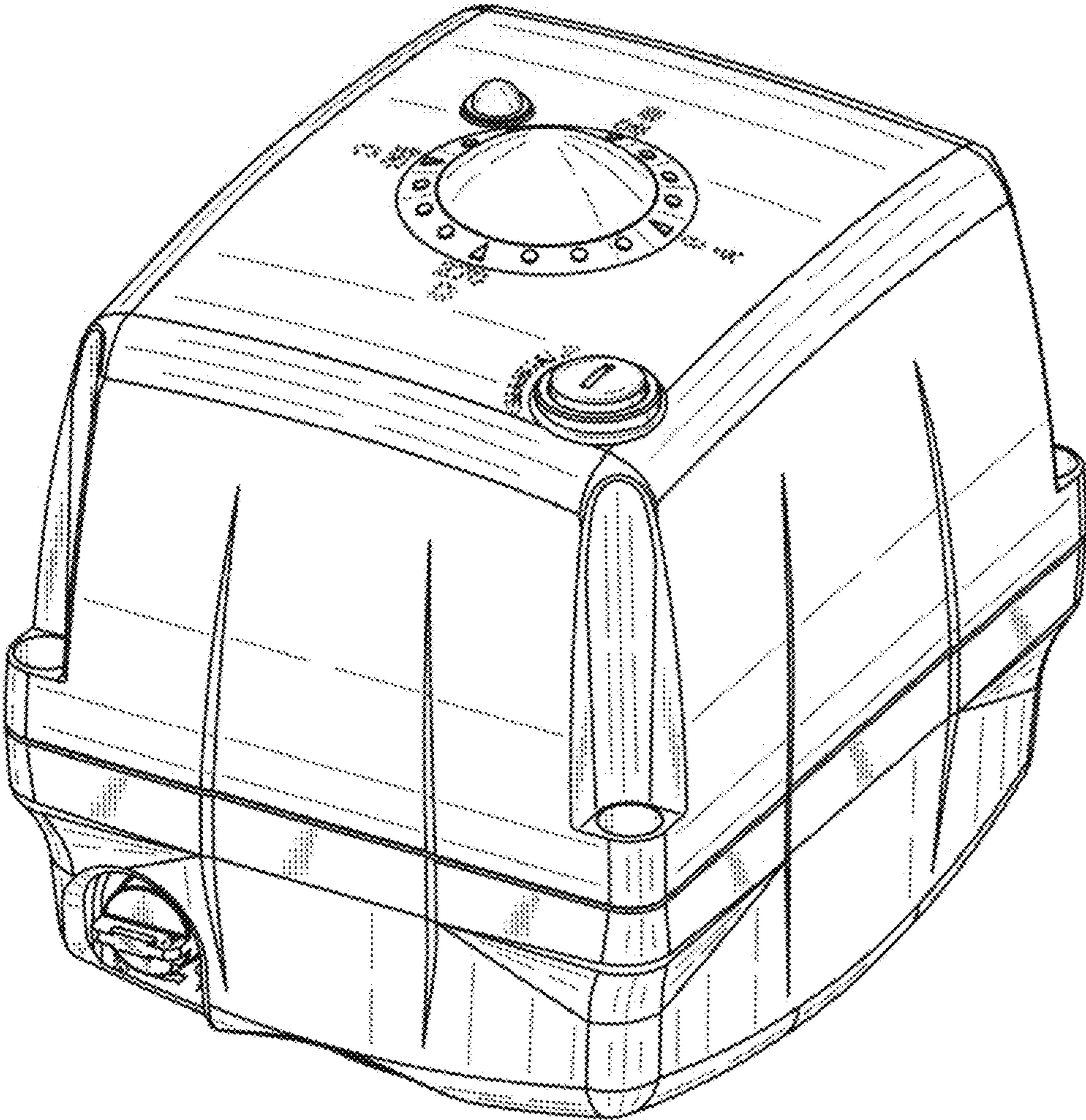


FIG. 2

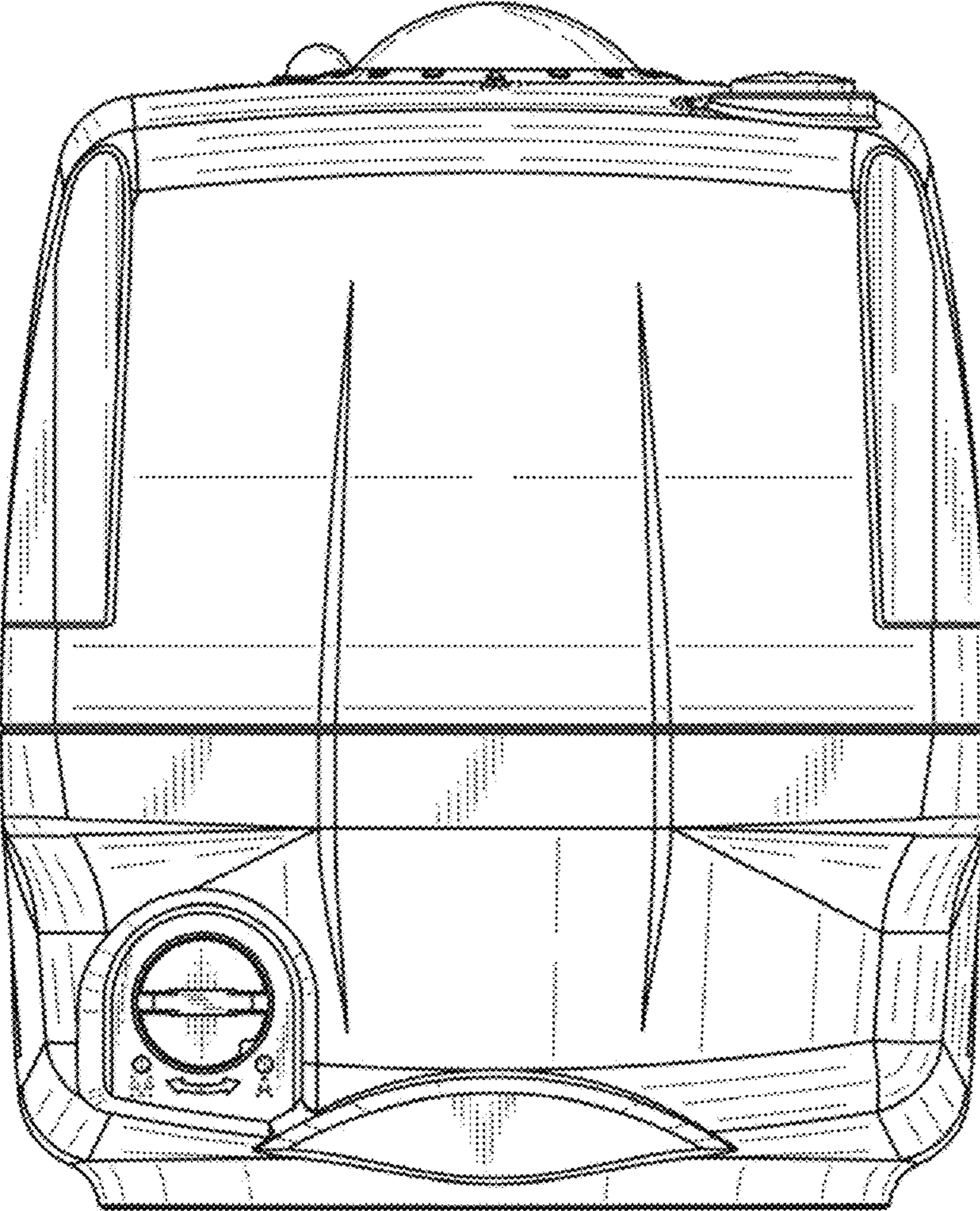


FIG. 3

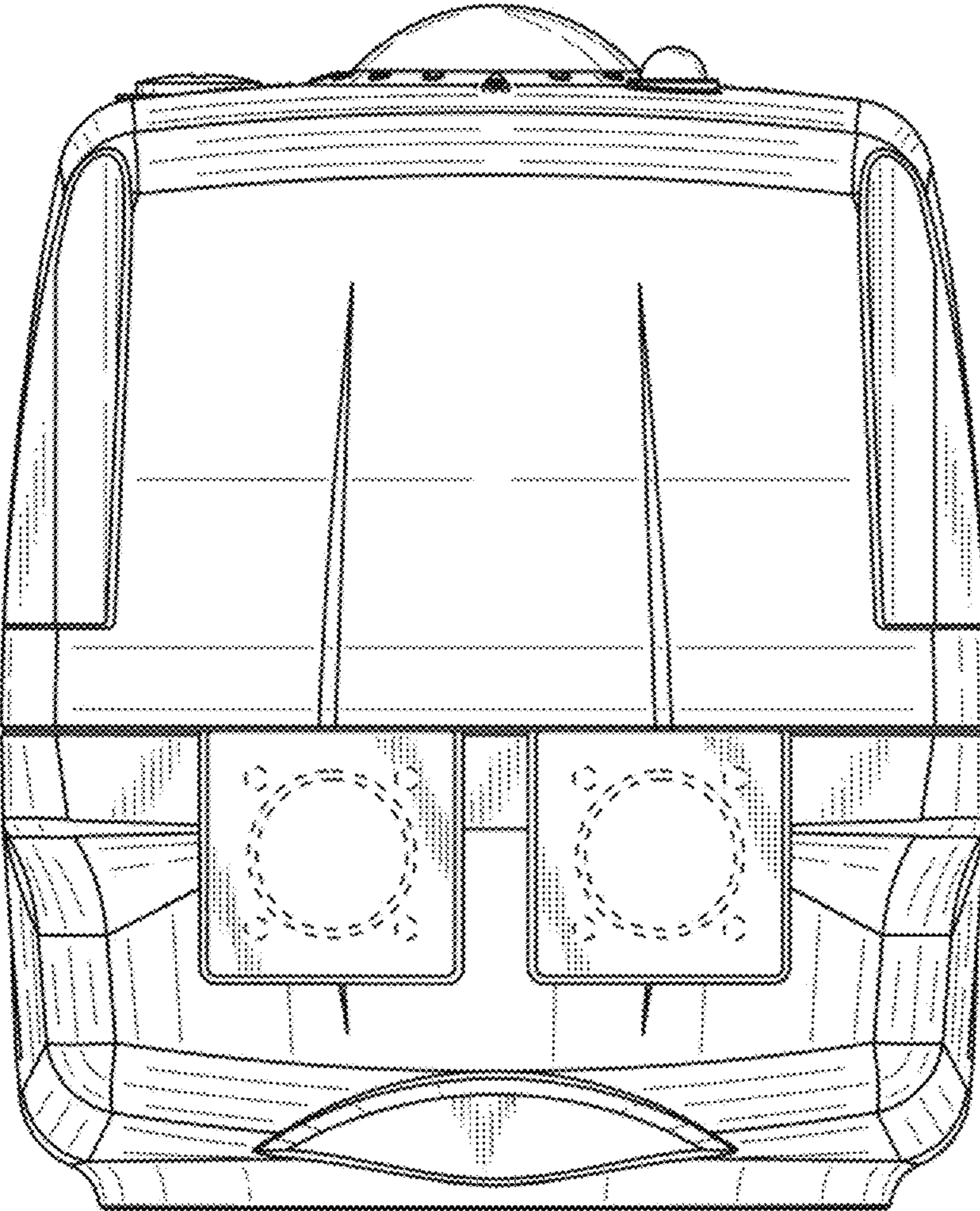


FIG. 4

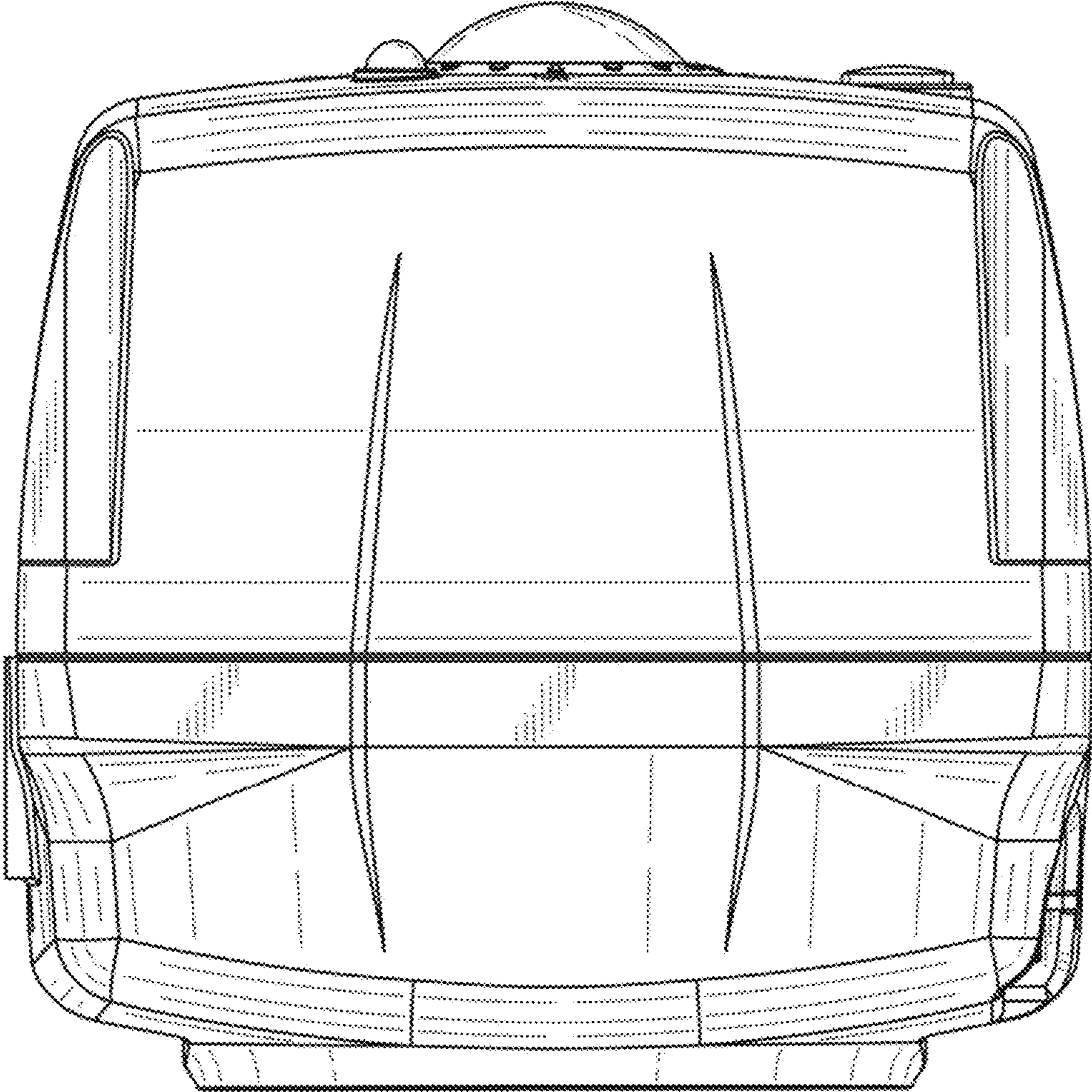


FIG. 5

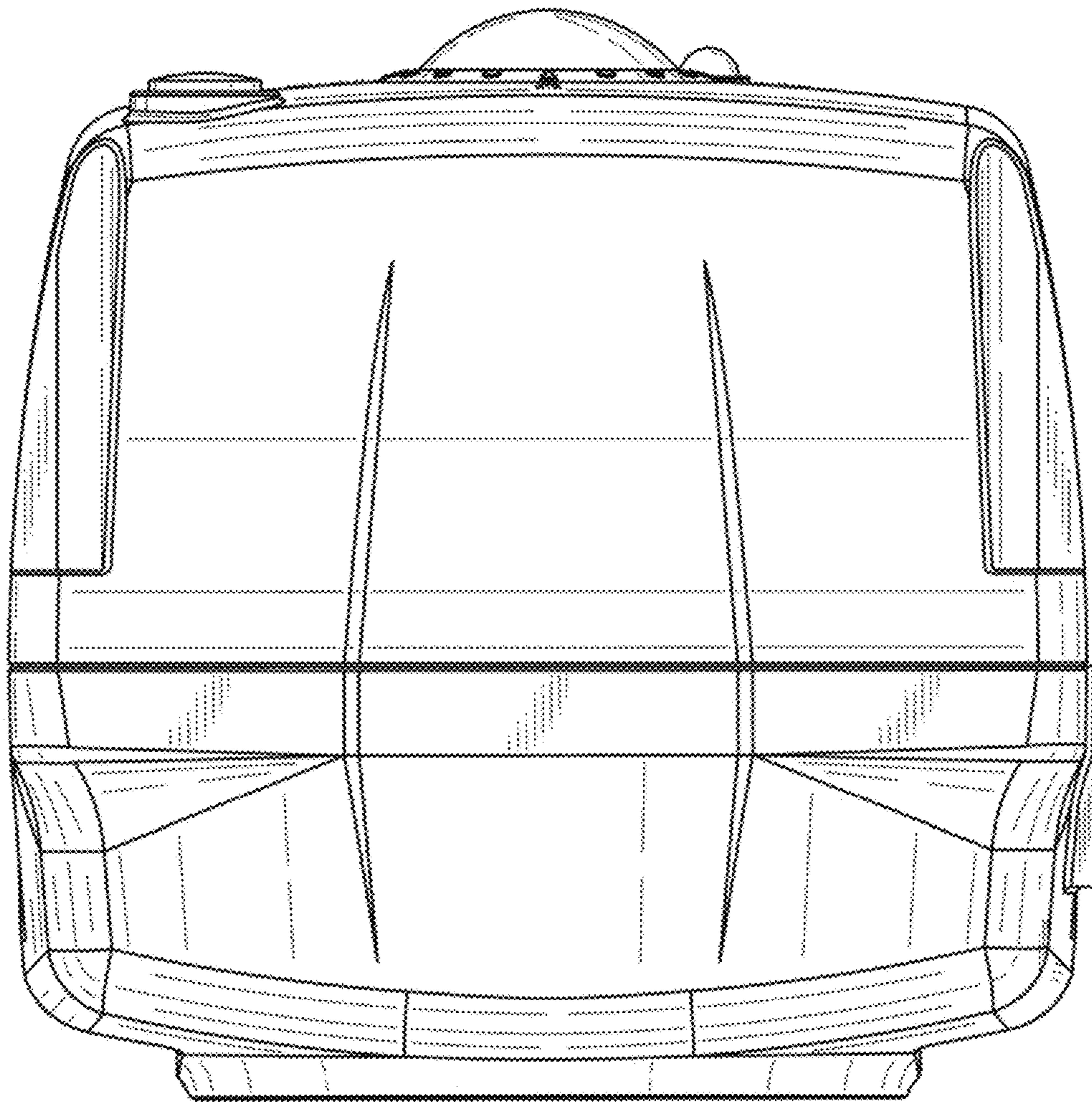


FIG. 6

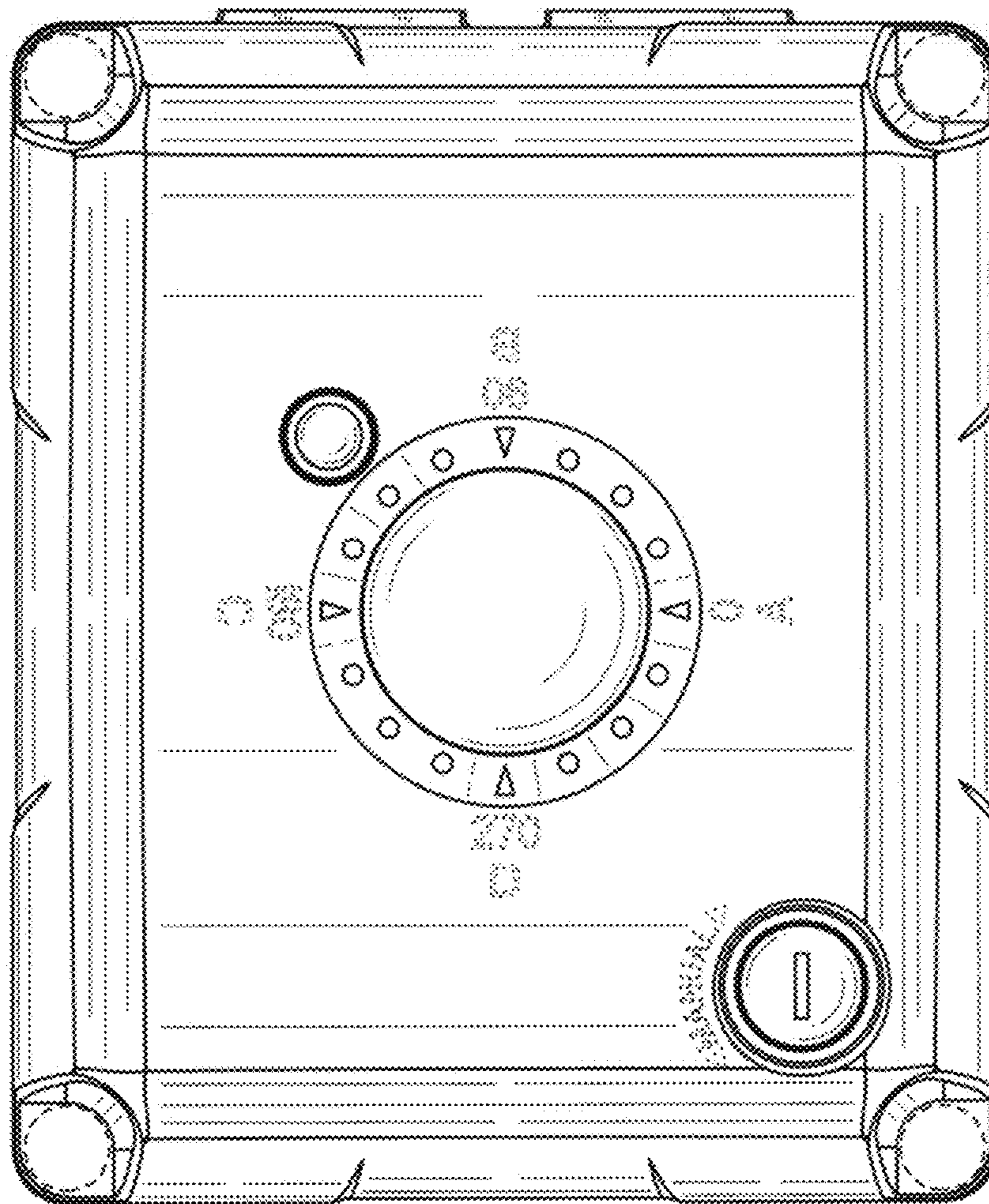


FIG. 7

