



US00D888894S

(12) **United States Design Patent**  
**Thomas**

(10) **Patent No.:** **US D888,894 S**  
(45) **Date of Patent:** **\*\* Jun. 30, 2020**

(54) **FAUCET AND KEYSTONE HANDLE ASSEMBLY**

D737,938 S \* 9/2015 Schoenherr ..... D23/242  
D822,798 S \* 7/2018 Sieger ..... D23/255  
D837,945 S \* 1/2019 Soulier ..... D23/252

(71) Applicant: **Roger P. Thomas**, Las Vegas, NV (US)

\* cited by examiner

(72) Inventor: **Roger P. Thomas**, Las Vegas, NV (US)

*Primary Examiner* — Robert A Delehanty

(\*\*) Term: **15 Years**

(74) *Attorney, Agent, or Firm* — Potter Anderson and Corroon LLP

(21) Appl. No.: **29/671,406**

(57) **CLAIM**

(22) Filed: **Nov. 27, 2018**

The ornamental design for a faucet and keystone handle assembly, as shown and described.

(51) **LOC (12) Cl.** ..... **23-01**

**DESCRIPTION**

(52) **U.S. Cl.**

USPC ..... **D23/242**

(58) **Field of Classification Search**

USPC ..... D23/238, 241–243, 249–250, 252,  
D23/254–255, 257; D8/307–308

CPC ..... Y10T 137/9464; Y10T 137/6014; Y10T  
137/6017

See application file for complete search history.

FIG. 1 is a left-front perspective view of an embodiment of a faucet and keystone handle assembly according to the present invention;

FIG. 2 is a front elevational view of the faucet and keystone handle assembly of FIG. 1;

FIG. 3 is a rear elevational view of the faucet and keystone handle assembly of FIG. 1;

FIG. 4 is a right side elevational view of the faucet and keystone handle assembly of FIG. 1 and is a mirror image of the left side of the faucet and keystone handle assembly of FIG. 1; and,

FIG. 5 is a top plan view of the faucet and keystone handle assembly of FIG. 1.

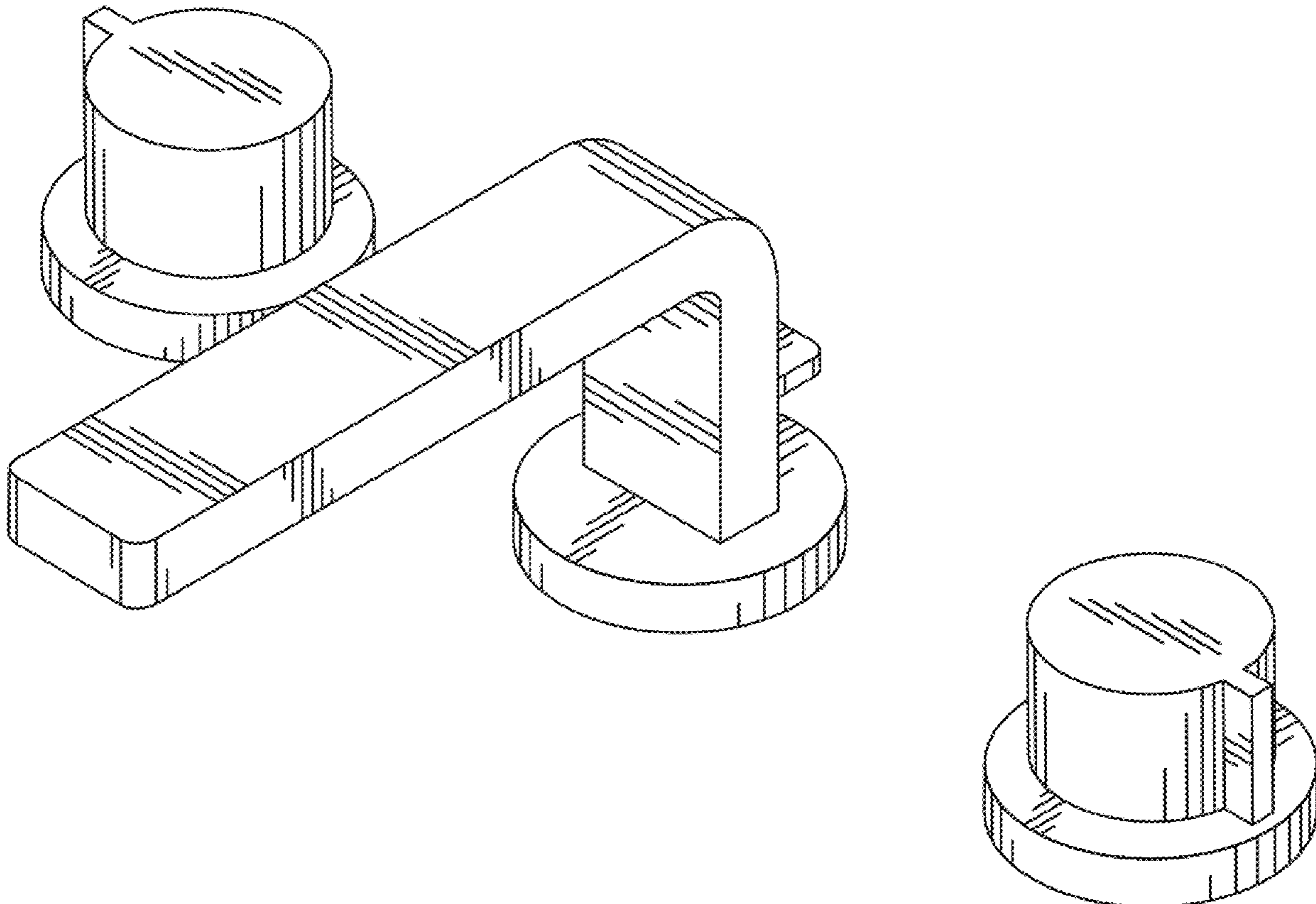
The broken lines contained in the Figures are for illustrative purposes only and form no part of the claimed design.

(56) **References Cited**

U.S. PATENT DOCUMENTS

D462,421 S \* 9/2002 Hundley ..... D23/252  
D516,677 S \* 3/2006 Haug ..... D23/242  
D519,617 S \* 4/2006 Hoernig ..... D23/255  
D521,613 S \* 5/2006 Hoernig ..... D23/255  
D522,092 S \* 5/2006 Hoernig ..... D23/238  
D582,525 S \* 12/2008 Downey ..... D23/255

**1 Claim, 3 Drawing Sheets**



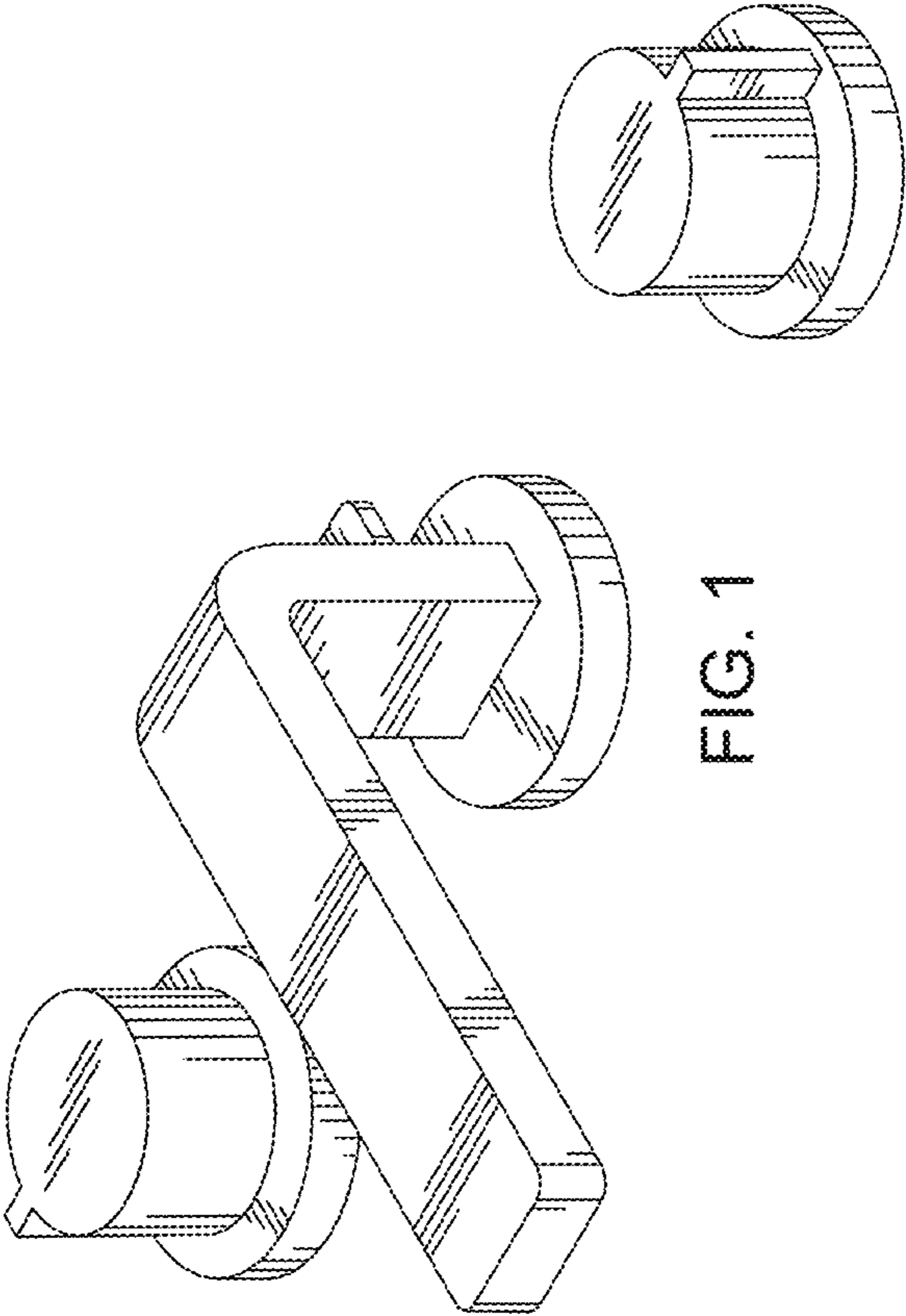


FIG. 1

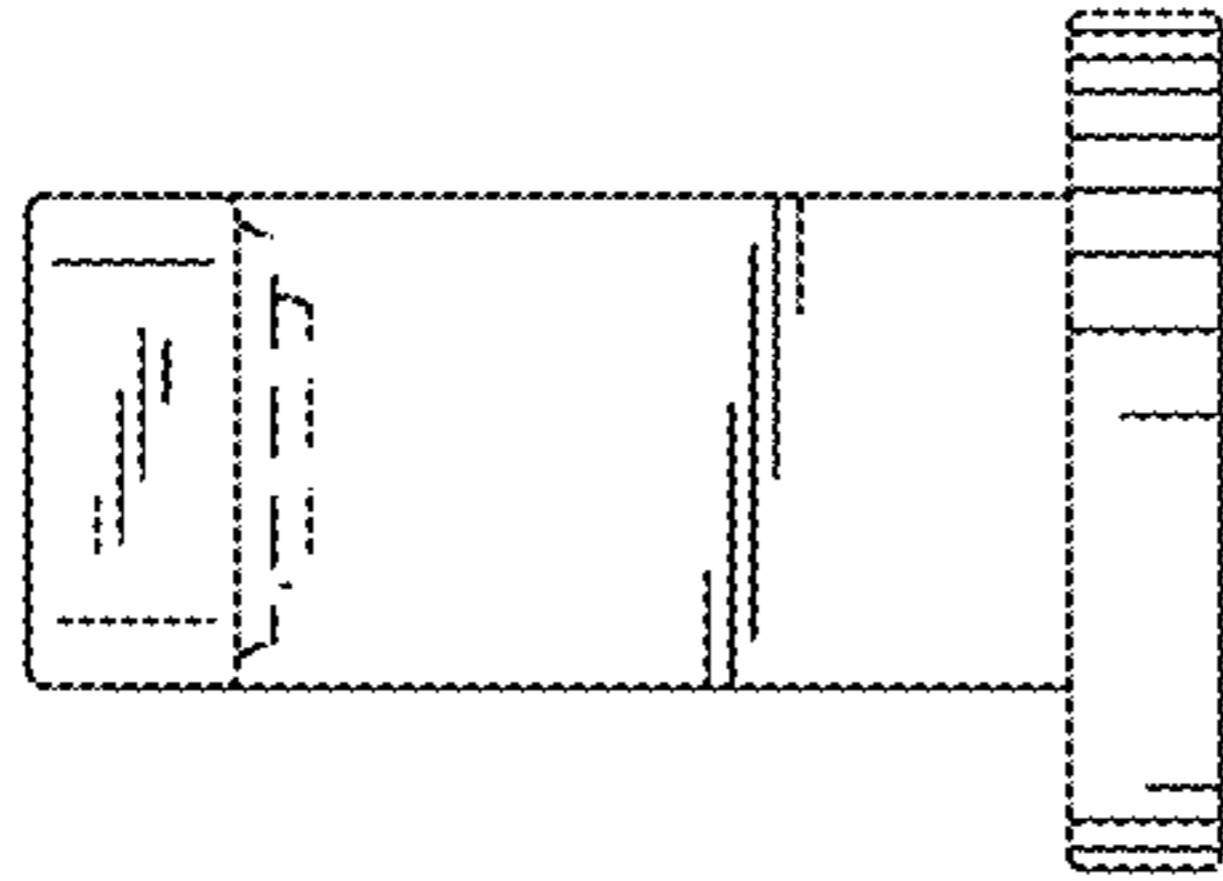
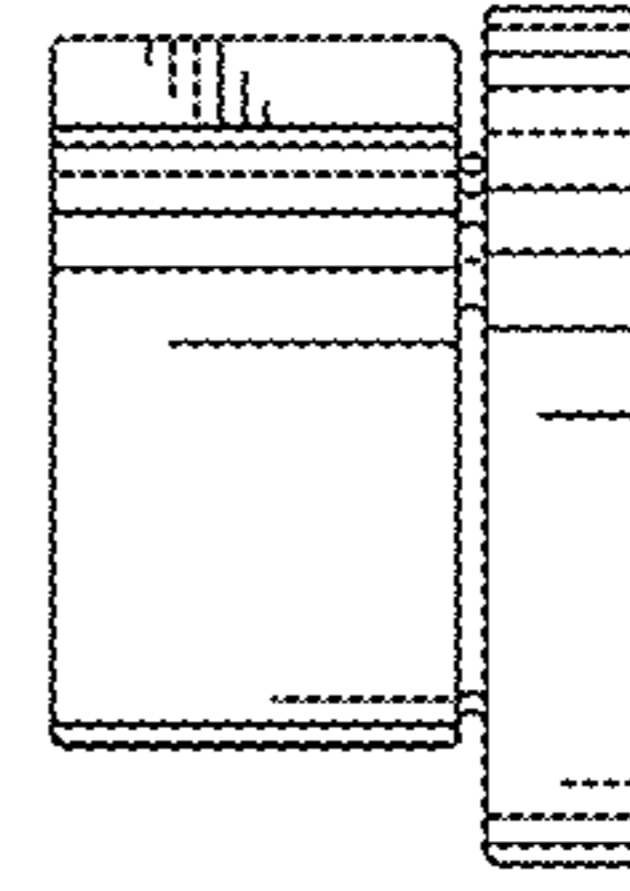
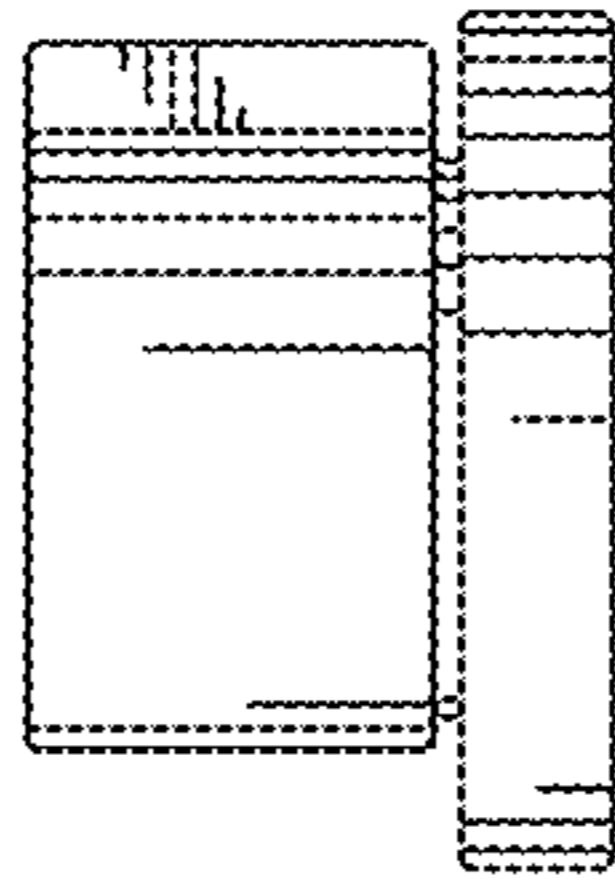


FIG. 2

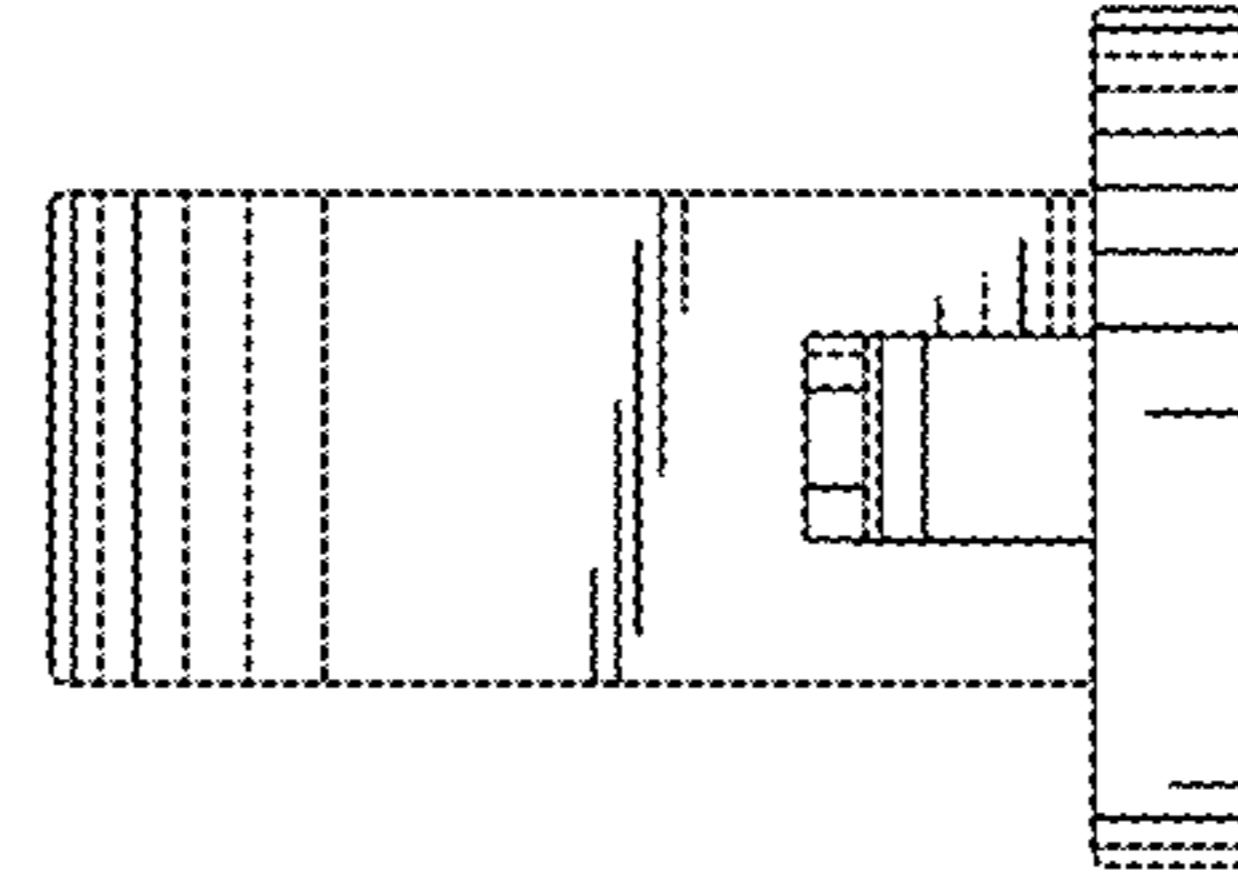
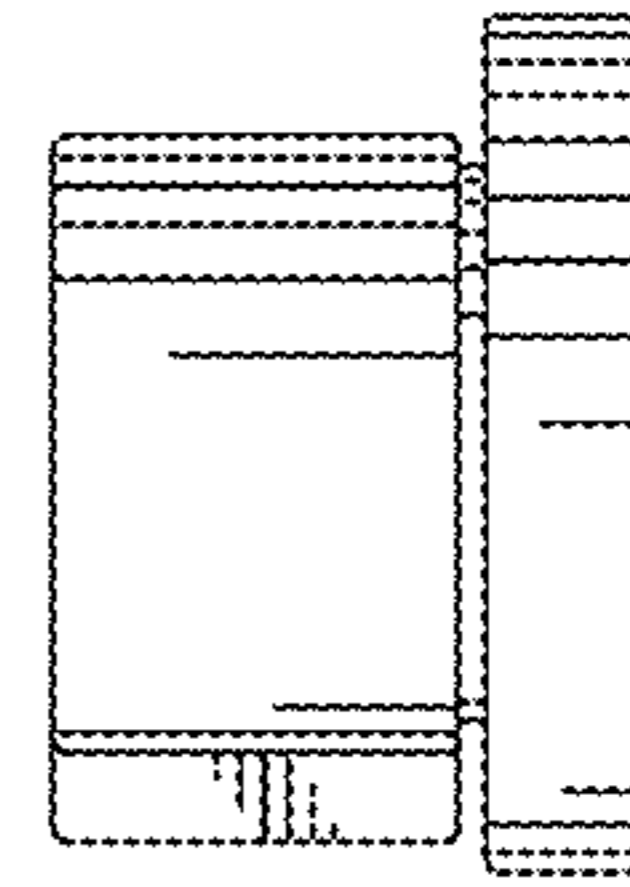
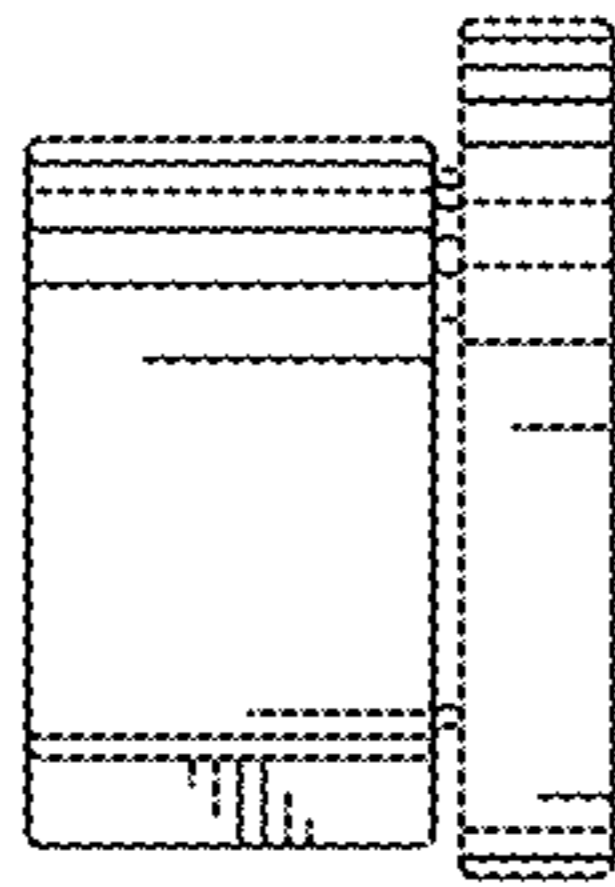


FIG. 3



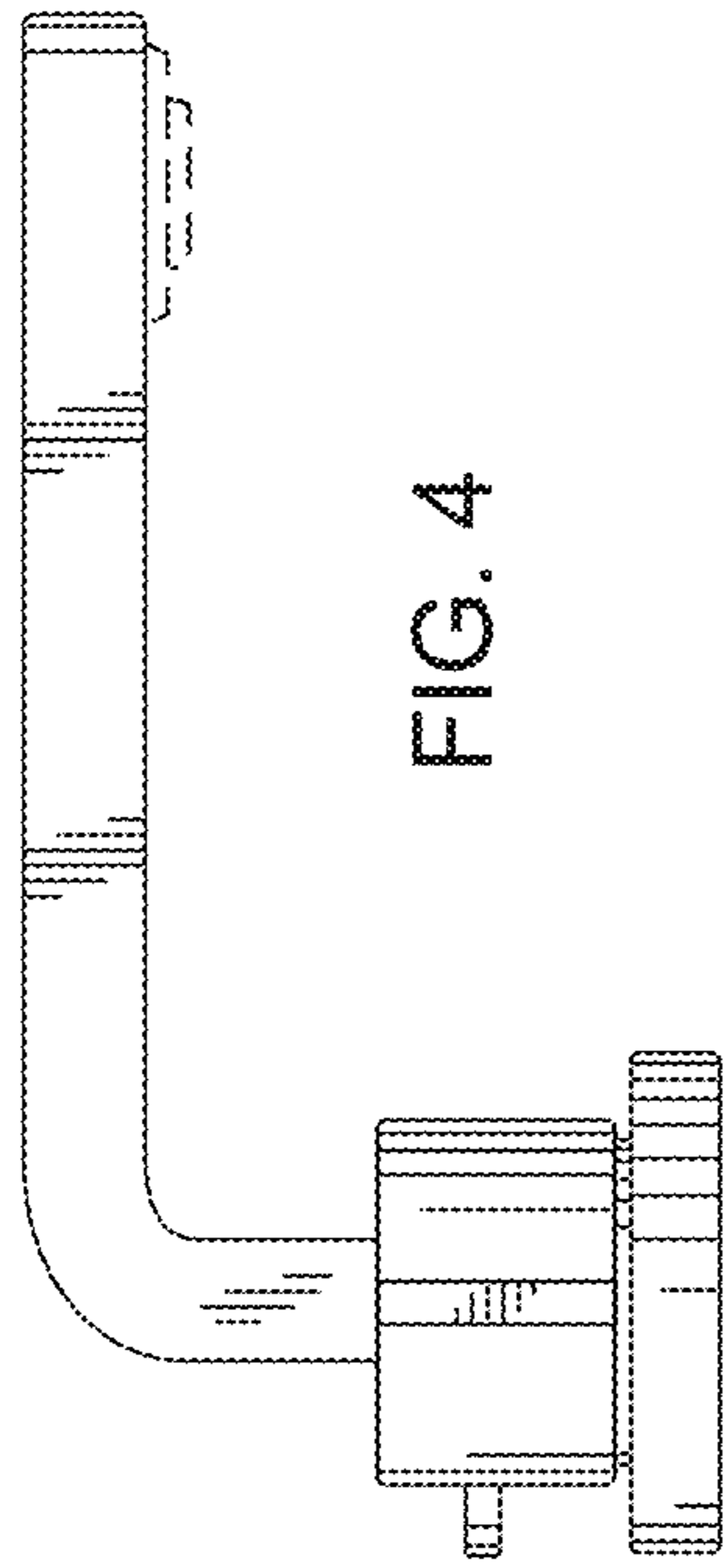


FIG. 4

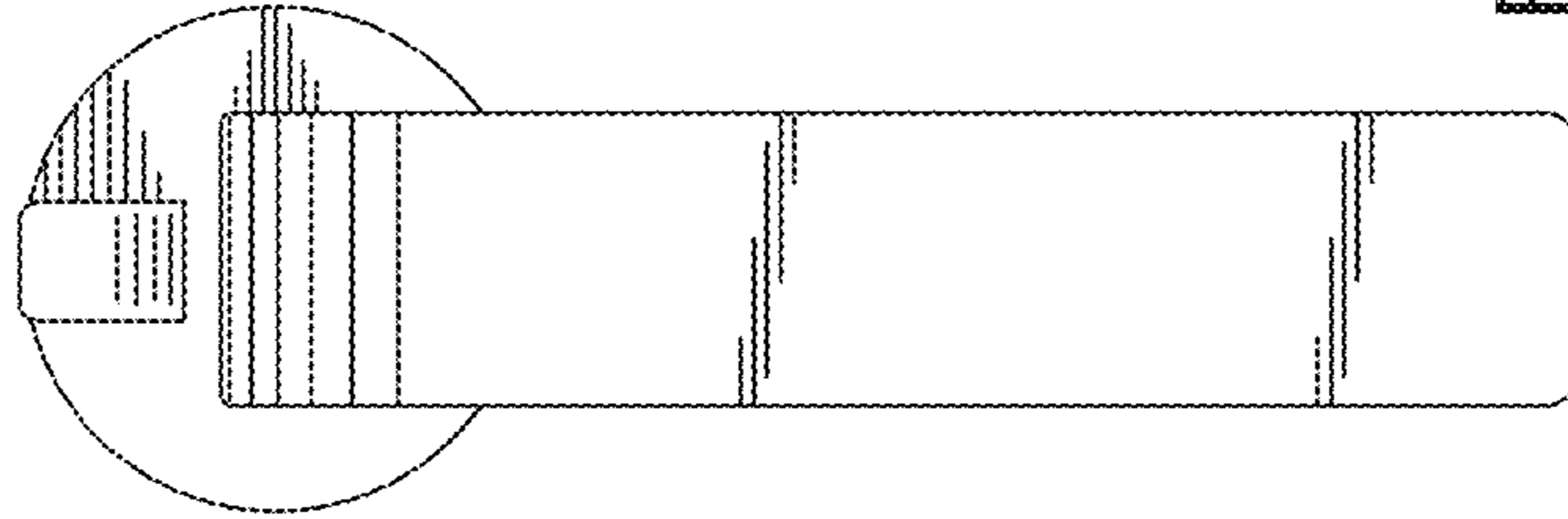
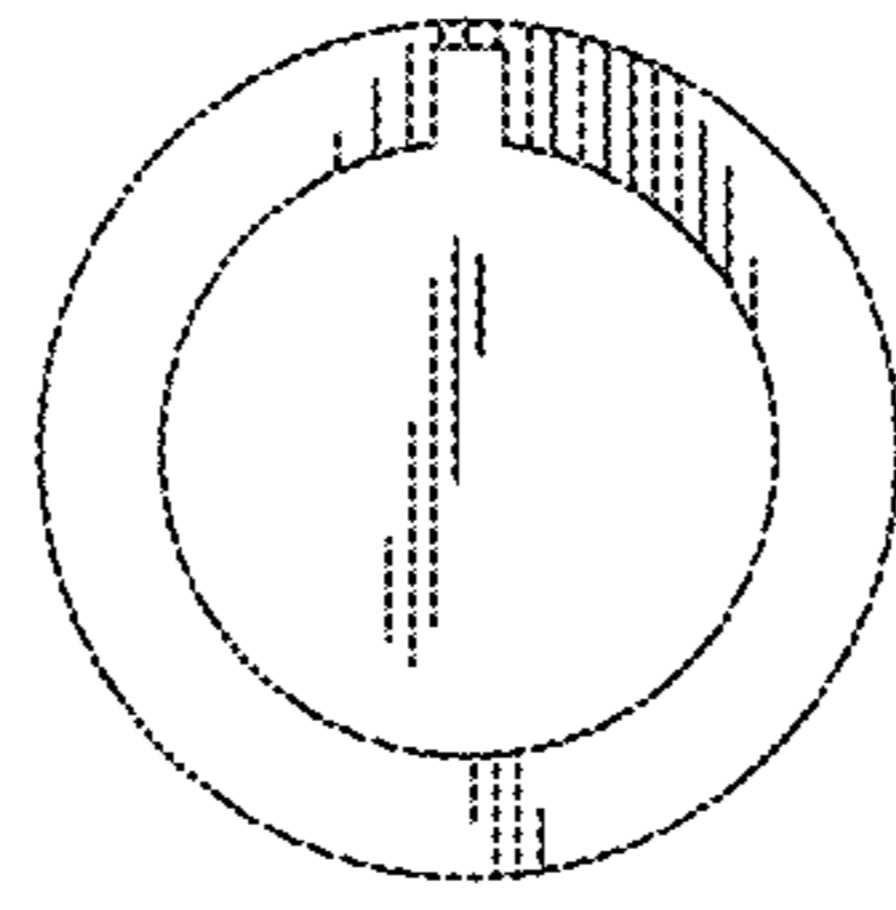


FIG. 5

