



US00D888893S

(12) **United States Design Patent**  
**Thomas**

(10) **Patent No.:** **US D888,893 S**

(45) **Date of Patent:** **\*\* Jun. 30, 2020**

(54) **FAUCET AND CROSS HANDLE ASSEMBLY**

(71) Applicant: **Roger P. Thomas**, Las Vegas, NV (US)

(72) Inventor: **Roger P. Thomas**, Las Vegas, NV (US)

(\*\*) Term: **15 Years**

(21) Appl. No.: **29/671,404**

(22) Filed: **Nov. 27, 2018**

(51) **LOC (12) Cl.** ..... **23-01**

(52) **U.S. Cl.**

USPC ..... **D23/242; D23/253**

(58) **Field of Classification Search**

USPC ..... D23/238, 241–243, 249–250, 257;  
D8/307–308

CPC ..... Y10T 137/9464; Y10T 137/6014; Y10T  
137/6017

See application file for complete search history.

(56) **References Cited**

**U.S. PATENT DOCUMENTS**

D477,654 S *	7/2003	Citterio	.....	D23/241
D494,253 S *	8/2004	Citterio	.....	D23/245
D519,617 S *	4/2006	Hoernig	.....	D23/255
D521,613 S *	5/2006	Hoernig	.....	D23/255
D522,092 S *	5/2006	Hoernig	.....	D23/238
D582,525 S *	12/2008	Downey	.....	D23/255
D588,235 S *	3/2009	Rexach	.....	D23/253
D712,517 S *	9/2014	Citterio	.....	D23/253

D770,019 S *	10/2016	Rexach	.....	D23/253
D822,798 S *	7/2018	Sieger	.....	D23/255
D832,403 S *	10/2018	Van Duysen	.....	D23/253

\* cited by examiner

*Primary Examiner* — Robert A Delehanty

(74) *Attorney, Agent, or Firm* — Potter Anderson and Corroon LLP

(57) **CLAIM**

The ornamental design for a faucet and cross handle assembly, as shown and described.

**DESCRIPTION**

FIG. 1 is a left-front perspective view of an embodiment of a faucet and cross handle assembly according to the present invention;

FIG. 2 is a front elevational view of the faucet and cross handle assembly of FIG. 1;

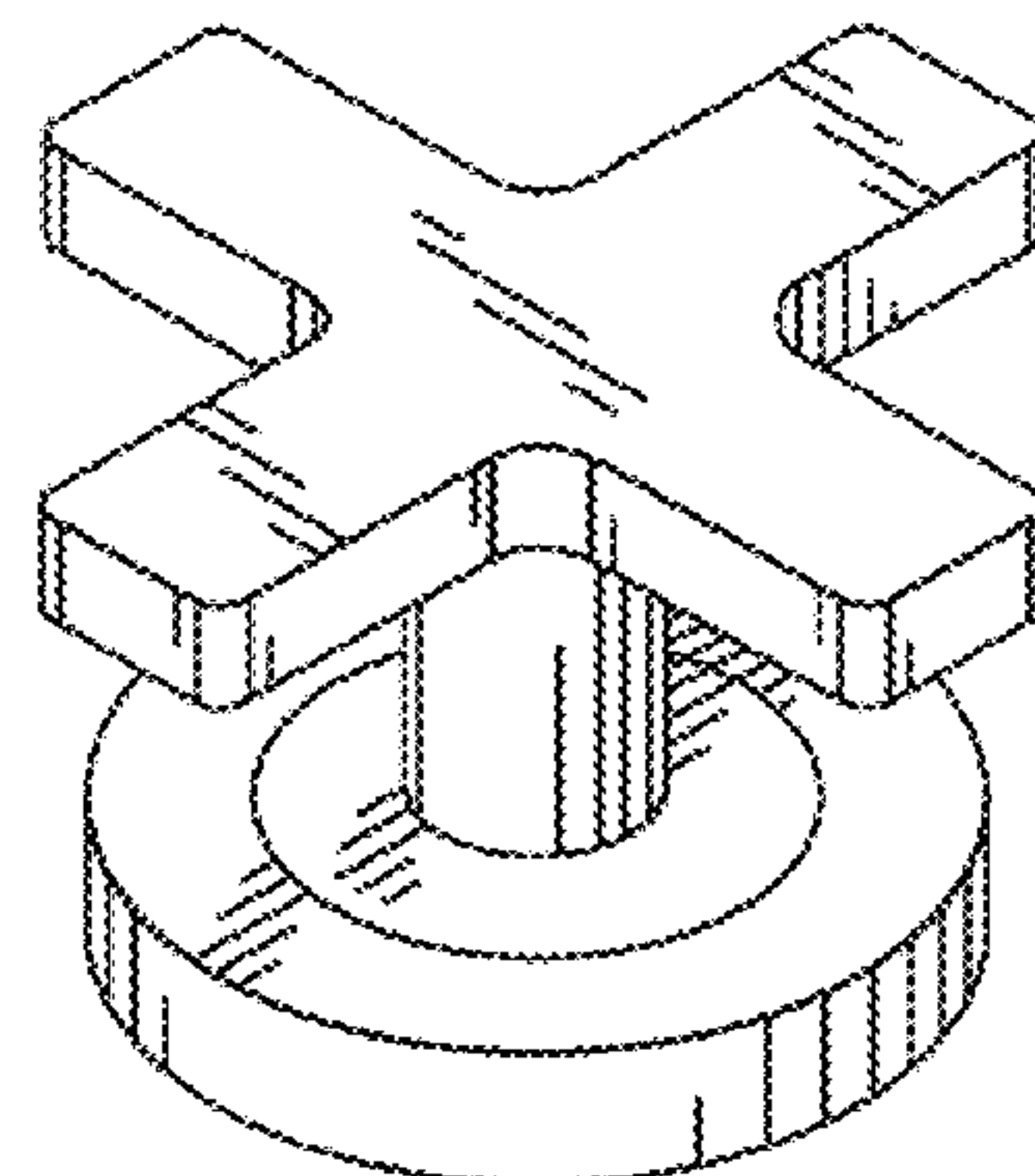
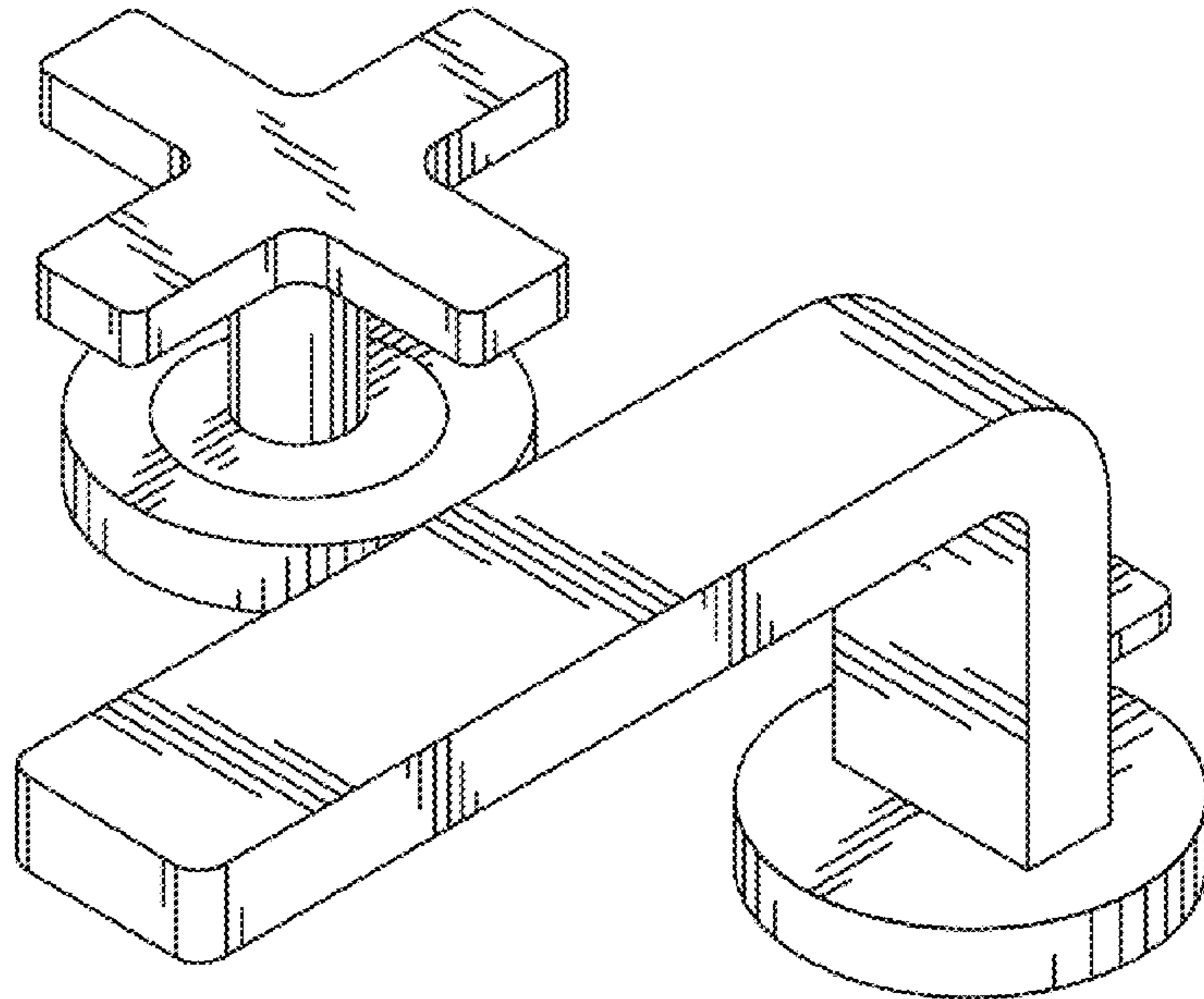
FIG. 3 is a rear elevational view of the faucet and cross handle assembly of FIG. 1;

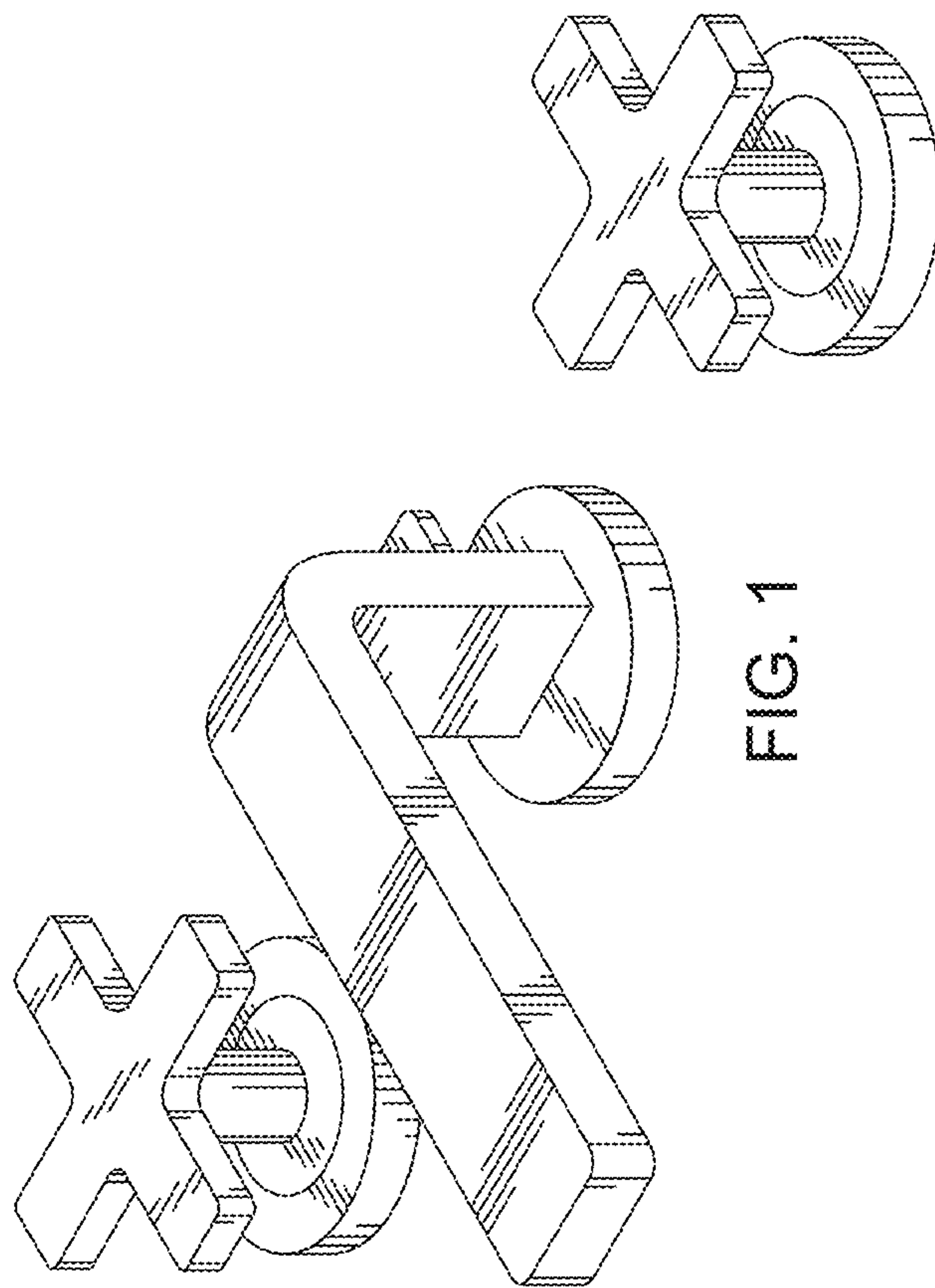
FIG. 4 is a right side elevational view of the faucet and cross handle assembly of FIG. 1 and is a mirror image of the left side of the faucet and cross handle assembly of FIG. 1; and,

FIG. 5 is a top plan view of the faucet and cross handle assembly of FIG. 1.

The broken lines contained in the Figures are for illustrative purposes only and form no part of the claimed design.

**1 Claim, 3 Drawing Sheets**





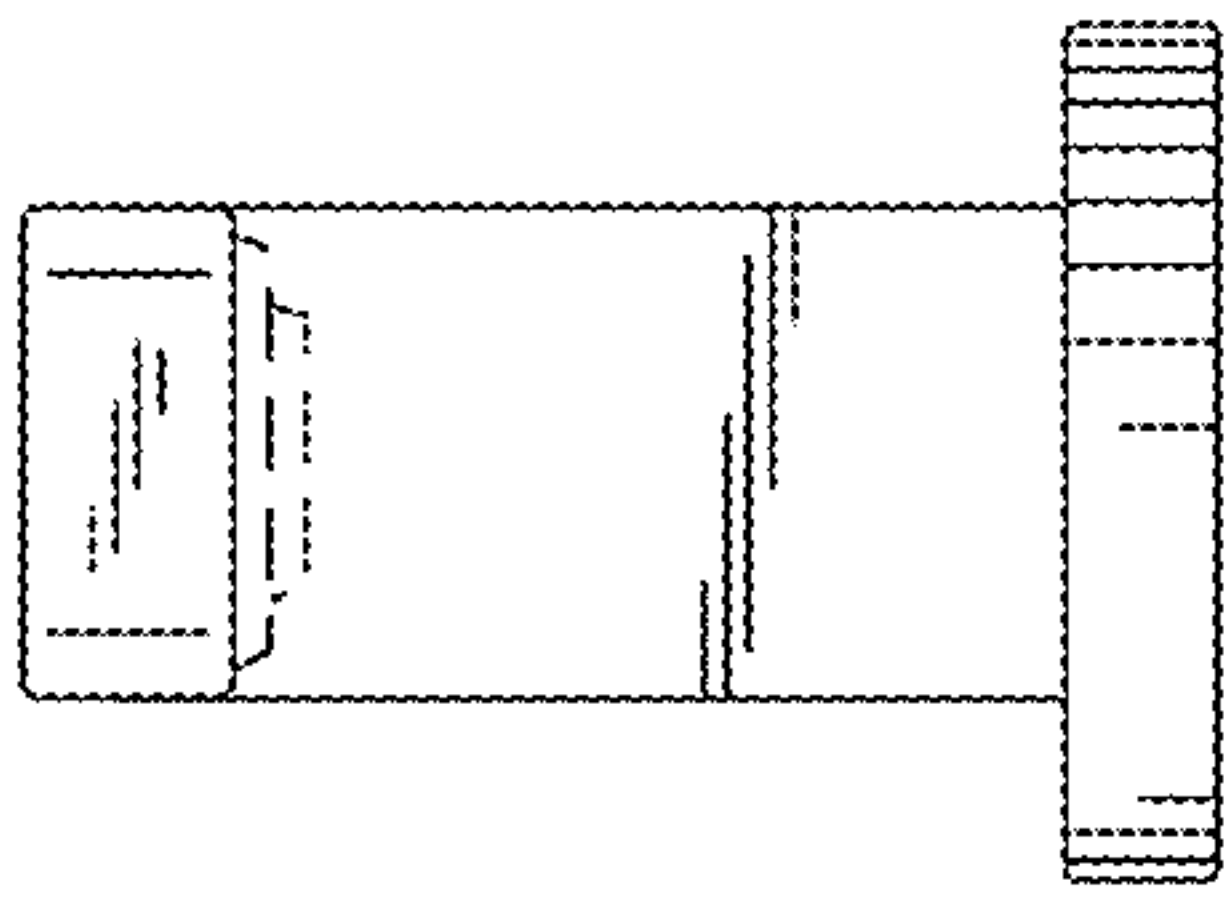
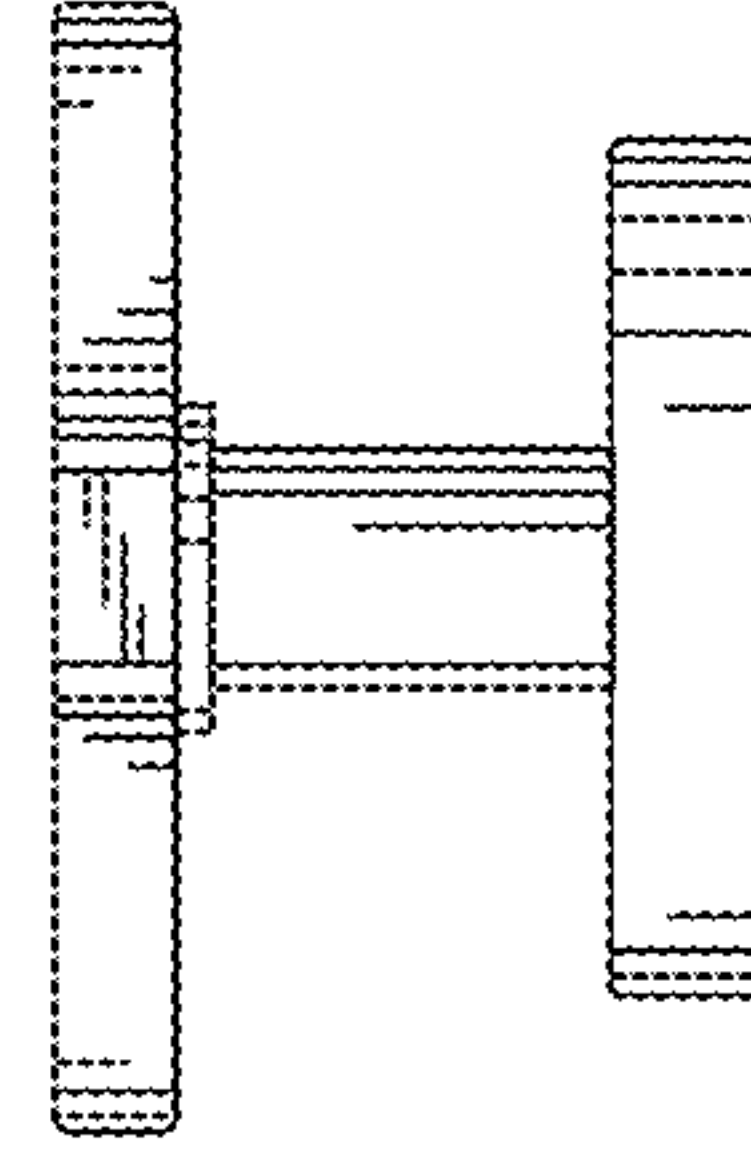
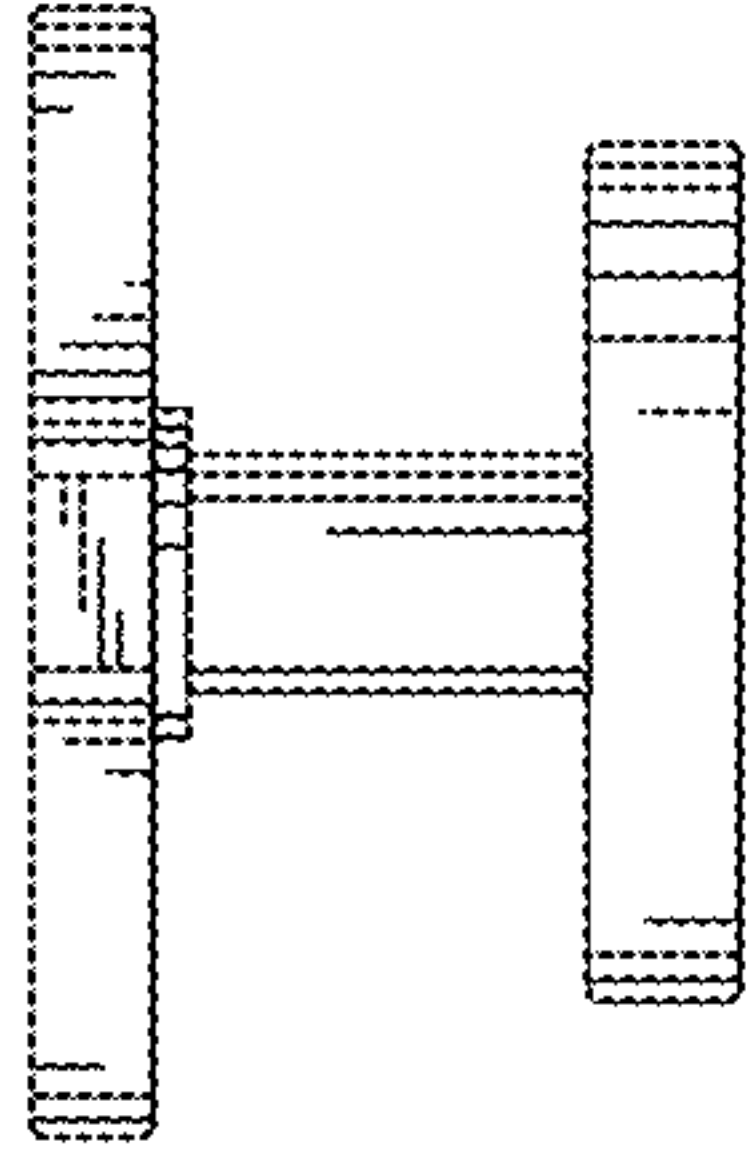


FIG. 2

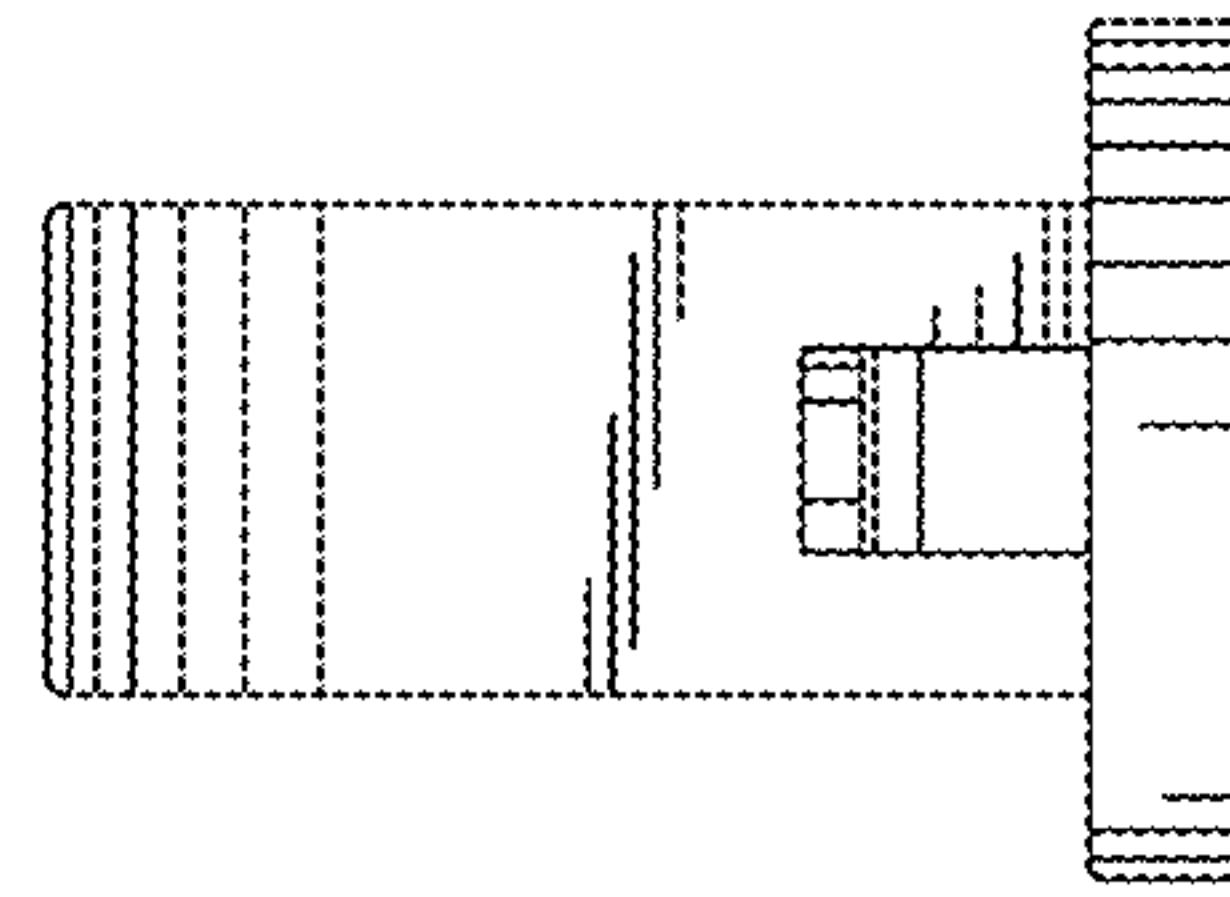
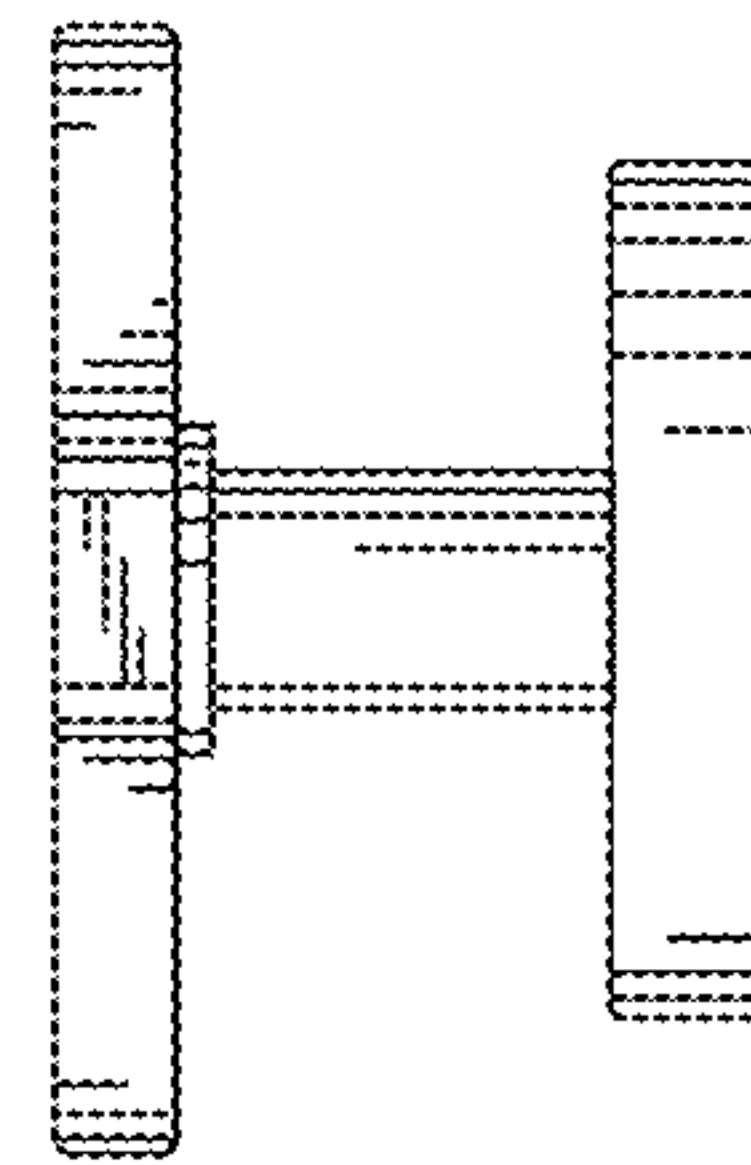
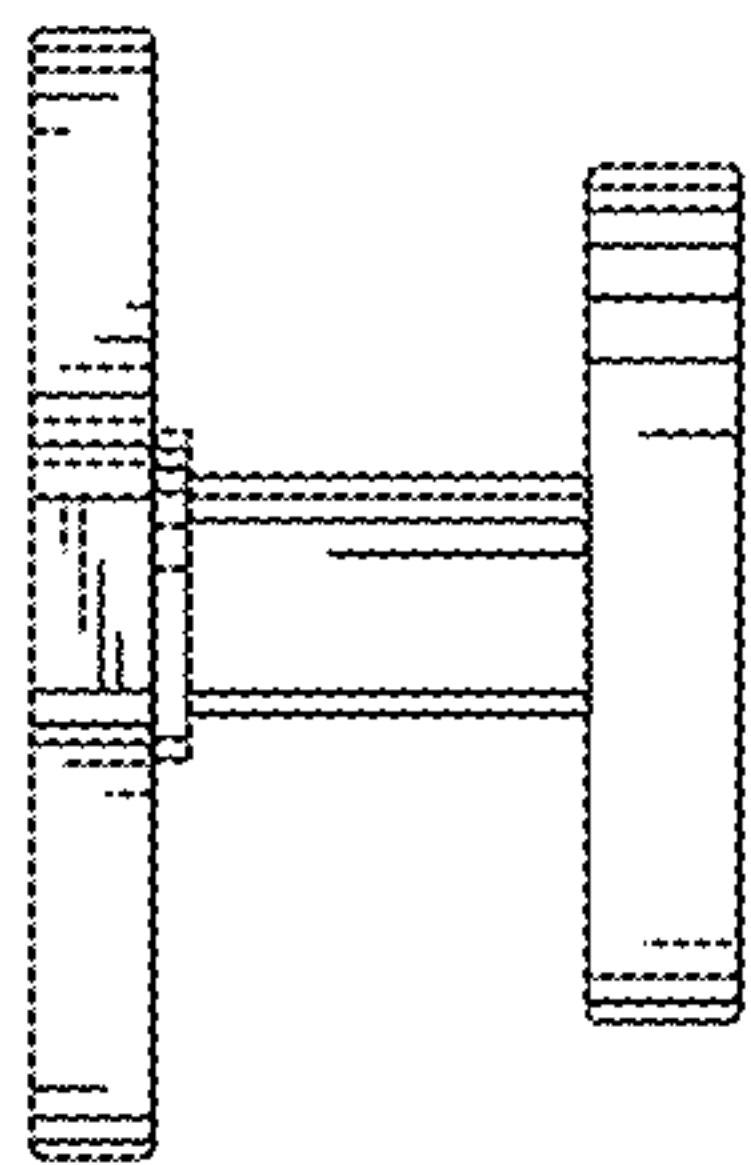


FIG. 3



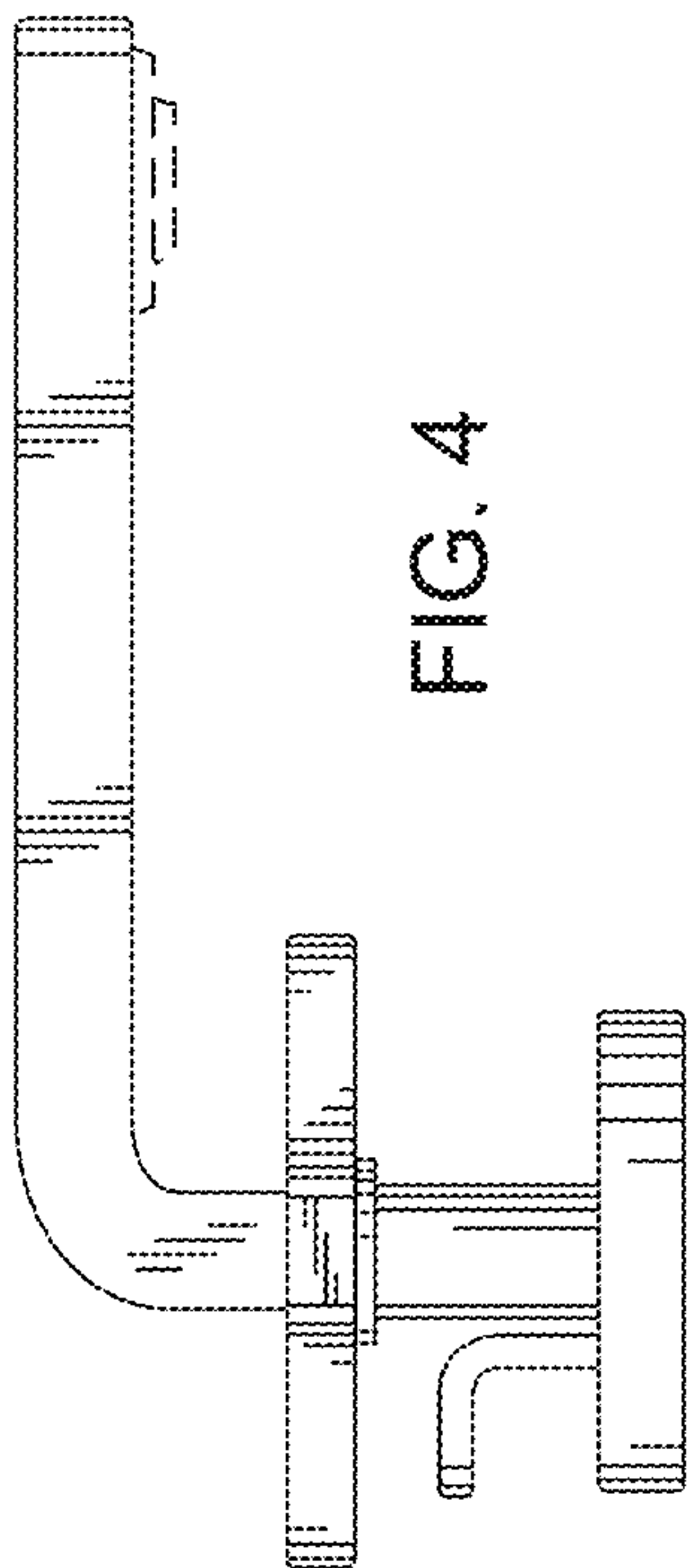


FIG. 4

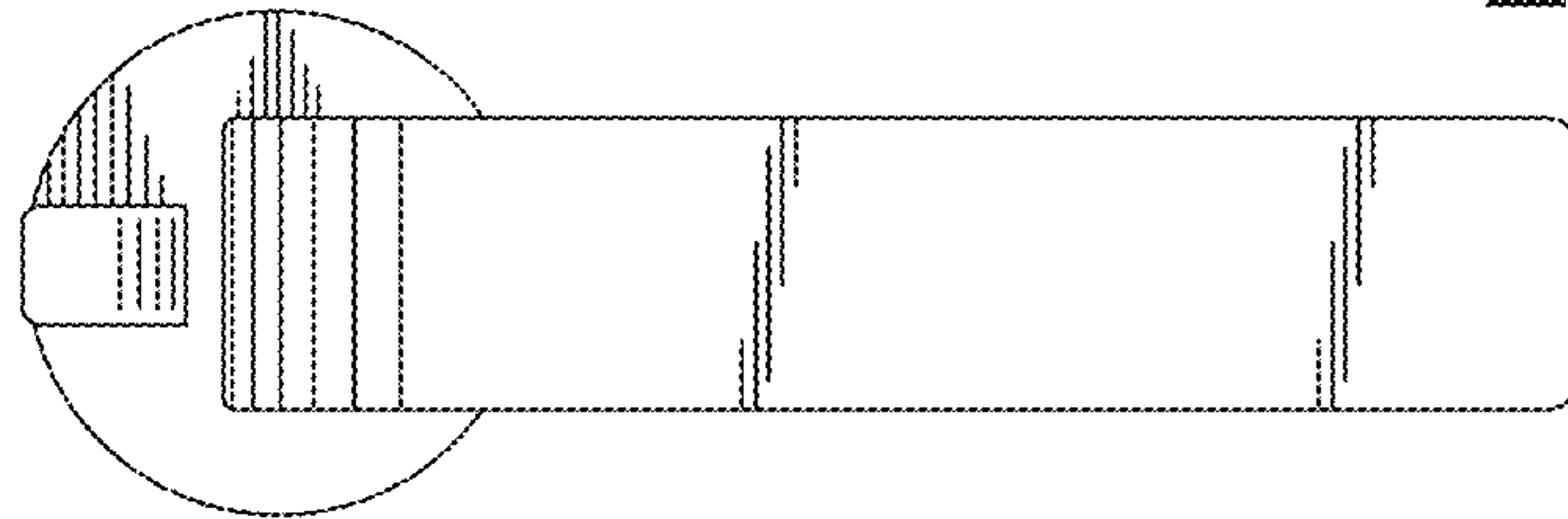
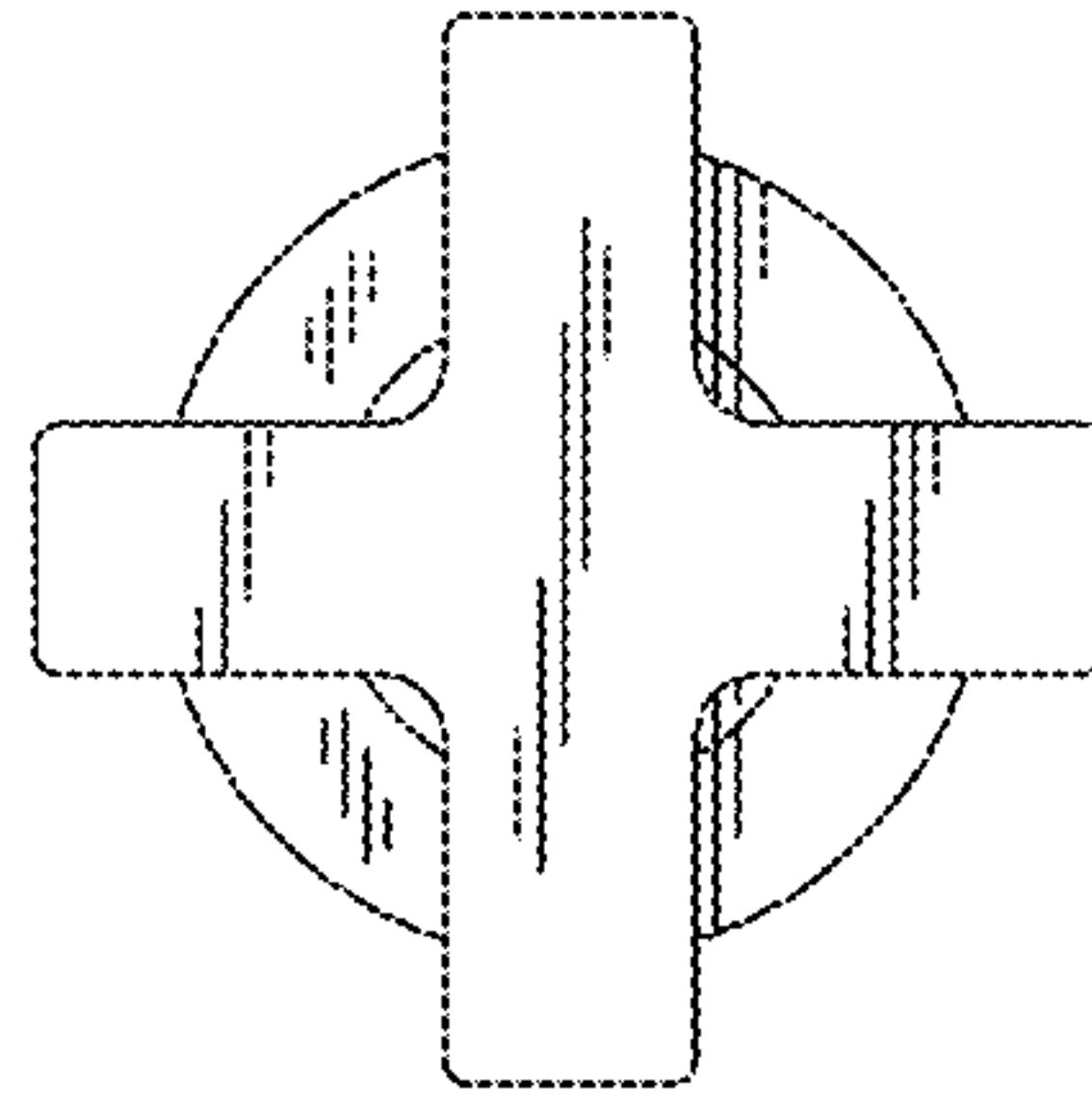


FIG. 5

