



US00D888892S

(12) **United States Design Patent**
Thomas

(10) **Patent No.:** **US D888,892 S**
(45) **Date of Patent:** **** Jun. 30, 2020**

(54) **FAUCET AND LEVER HANDLE ASSEMBLY**

(71) Applicant: **Roger P. Thomas**, Las Vegas, NV (US)

(72) Inventor: **Roger P. Thomas**, Las Vegas, NV (US)

(**) Term: **15 Years**

(21) Appl. No.: **29/671,403**

(22) Filed: **Nov. 27, 2018**

(51) **LOC (12) Cl.** **23-01**

(52) **U.S. Cl.**
USPC **D23/242**

(58) **Field of Classification Search**
USPC D23/238, 241–243, 249–250, 252,
D23/254–255, 257; D8/307–308

CPC Y10T 137/9464; Y10T 137/6014; Y10T
137/6017

See application file for complete search history.

(56) **References Cited**

U.S. PATENT DOCUMENTS

D519,617 S	*	4/2006	Hoernig	D23/255
D521,613 S	*	5/2006	Hoernig	D23/255
D522,092 S	*	5/2006	Hoernig	D23/238
D534,991 S	*	1/2007	Sieger	D23/238
D552,216 S	*	10/2007	Haug	D23/252
D582,525 S	*	12/2008	Downey	D23/255

D625,393 S	*	10/2010	Sieger	D23/242
D666,695 S	*	9/2012	Kulig	D23/238
D767,731 S	*	9/2016	Rexach	D23/252
D822,798 S	*	7/2018	Sieger	D23/255

* cited by examiner

Primary Examiner — Robert A Delehanty

(74) *Attorney, Agent, or Firm* — Potter Anderson and Corroon LLP

(57) **CLAIM**

The ornamental design for a faucet and lever handle assembly, as shown and described.

DESCRIPTION

FIG. 1 is a left-front perspective view of an embodiment of a faucet and lever handle assembly according to the present invention;

FIG. 2 is a front elevational view of the faucet and lever handle assembly of FIG. 1;

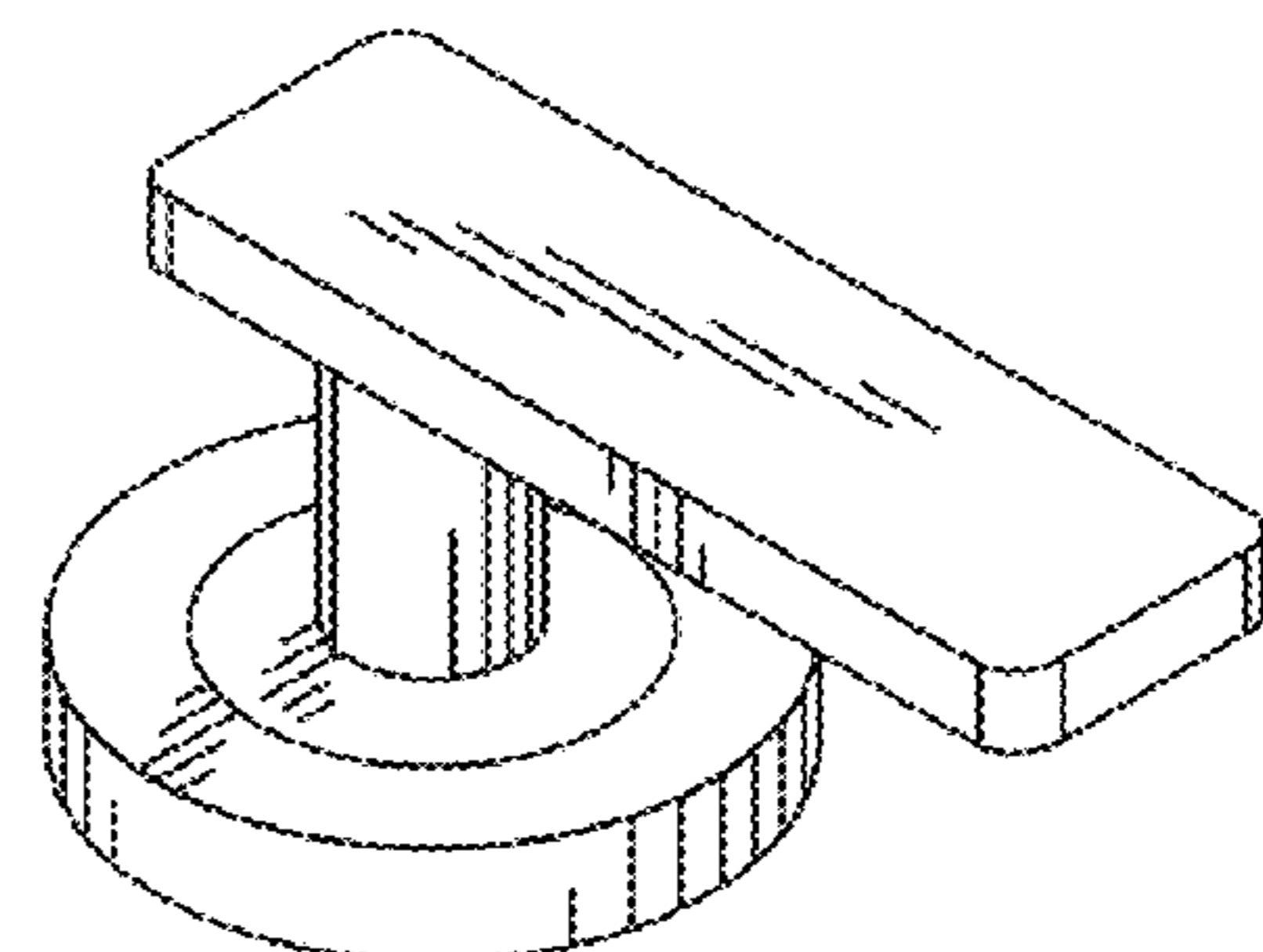
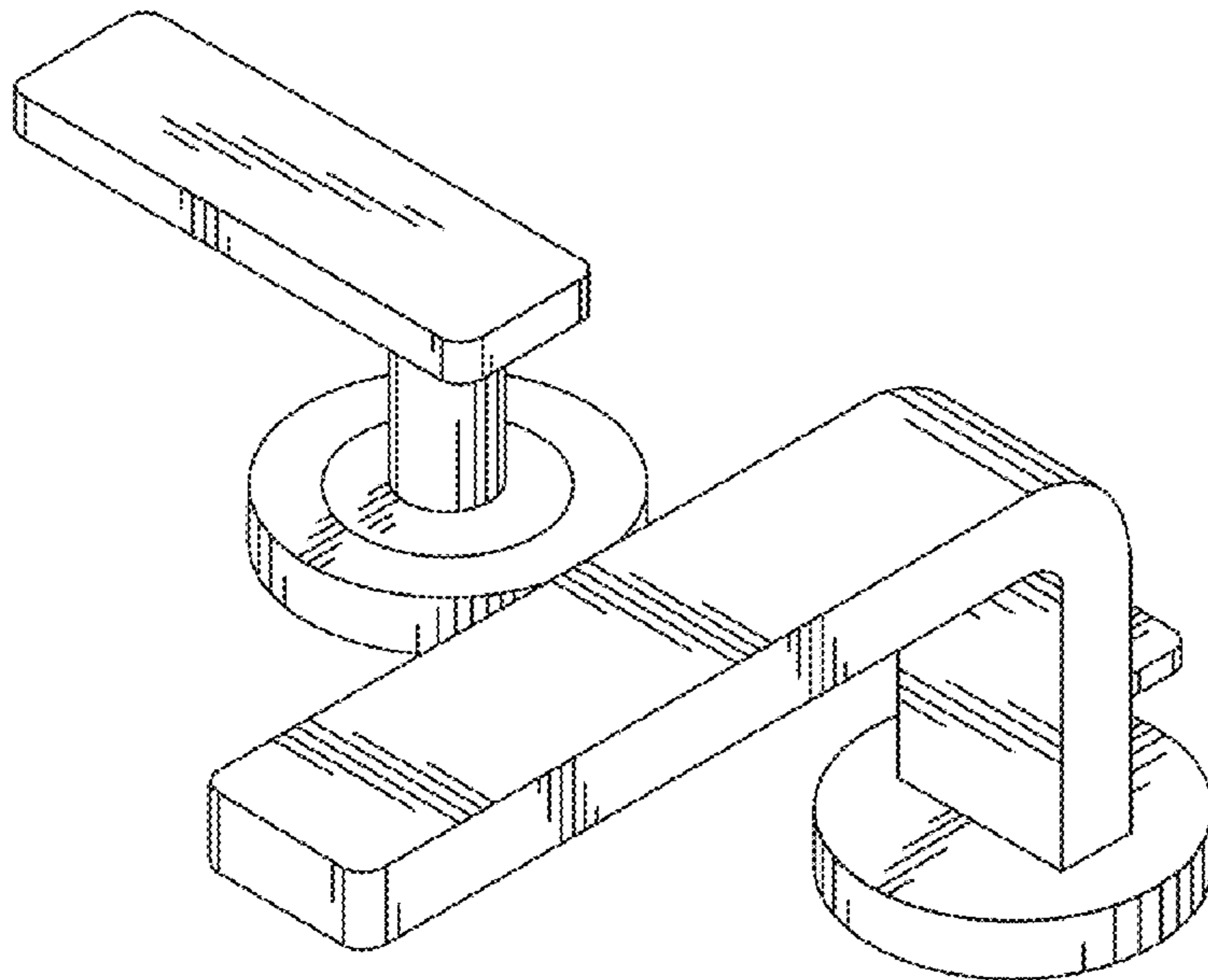
FIG. 3 is a rear elevational view of the faucet and lever handle assembly of FIG. 1;

FIG. 4 is a right side elevational view of the faucet and lever handle assembly of FIG. 1 and is a mirror image of the left side of the faucet and lever handle assembly of FIG. 1; and,

FIG. 5 is a top plan view of the faucet and lever handle assembly of FIG. 1.

The broken lines contained in the Figures are for illustrative purposes only and form no part of the claimed design.

1 Claim, 3 Drawing Sheets



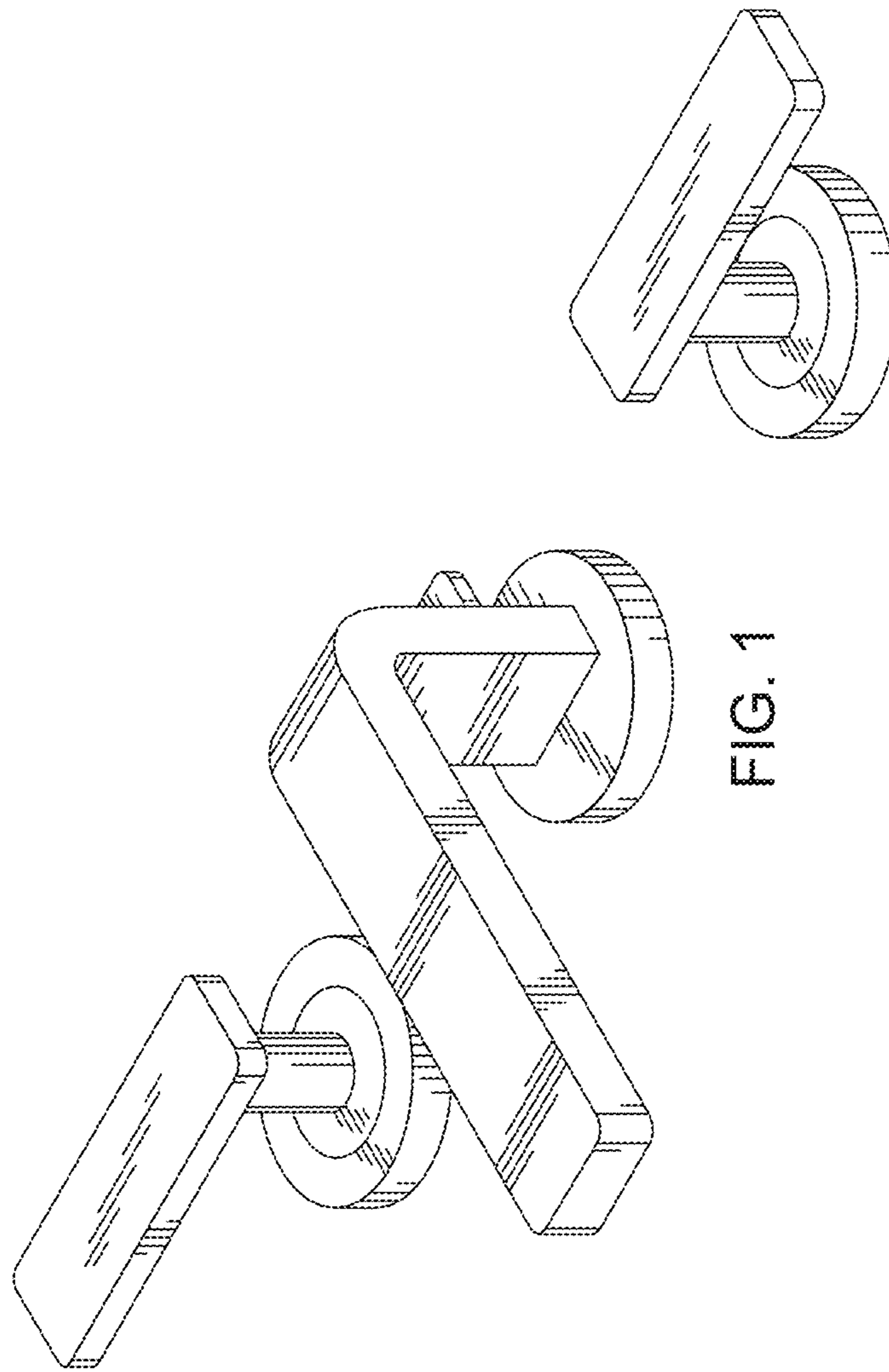


FIG. 1

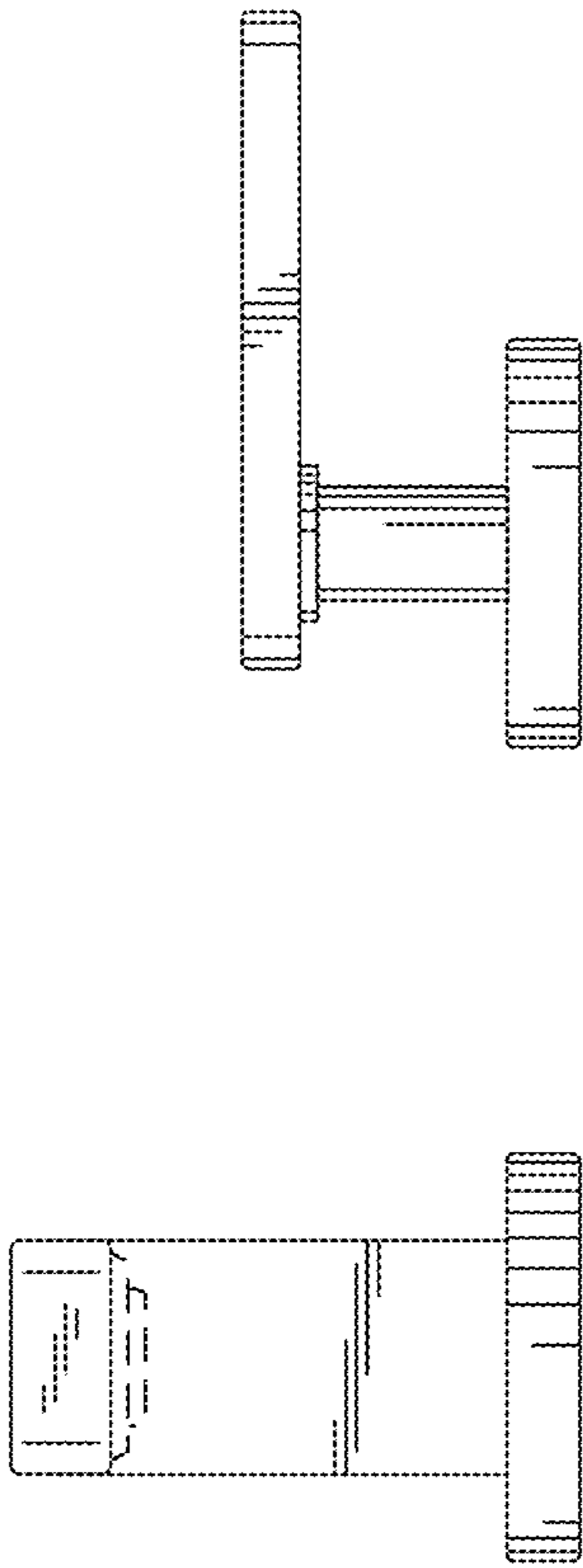


FIG. 2

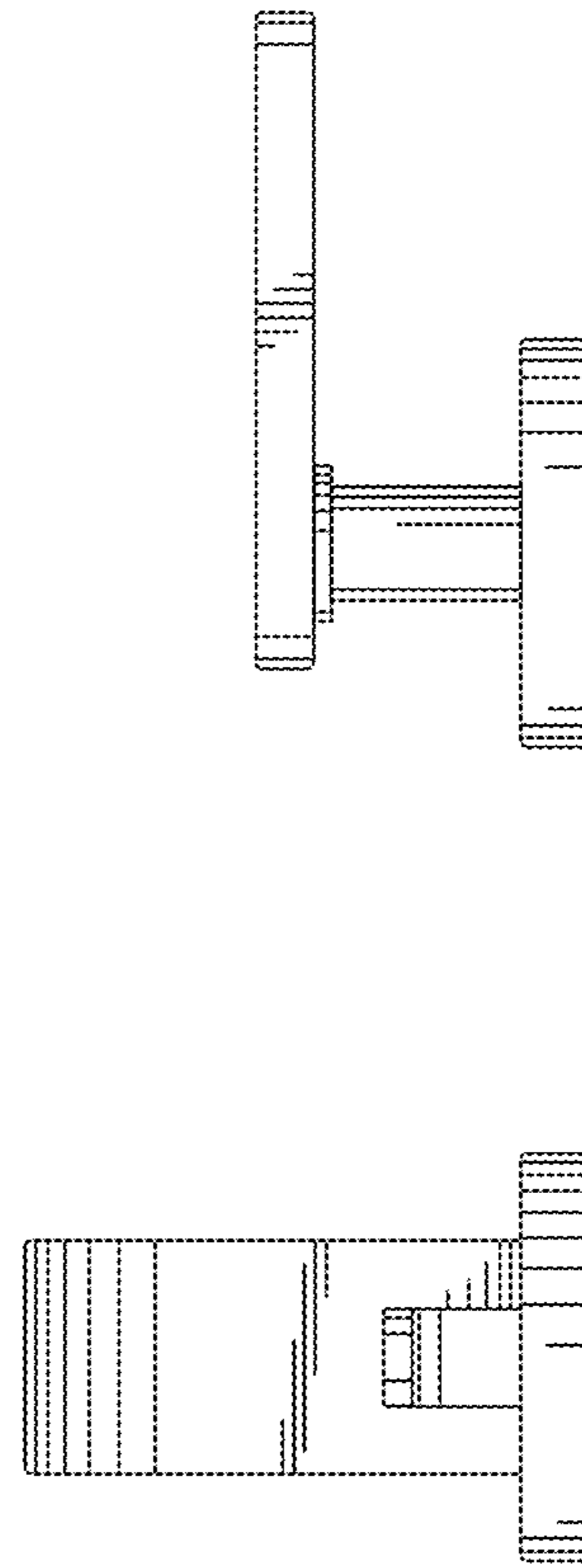
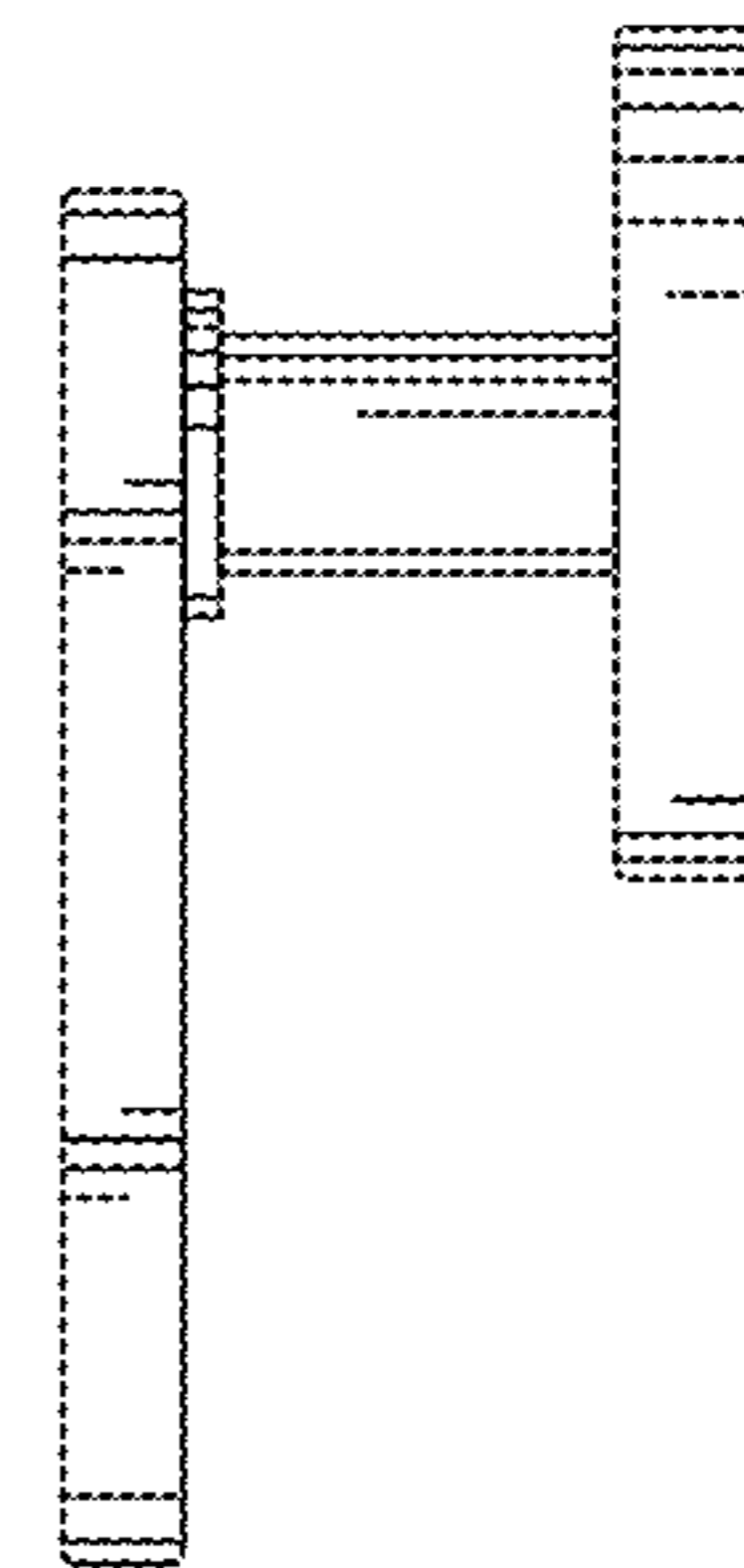
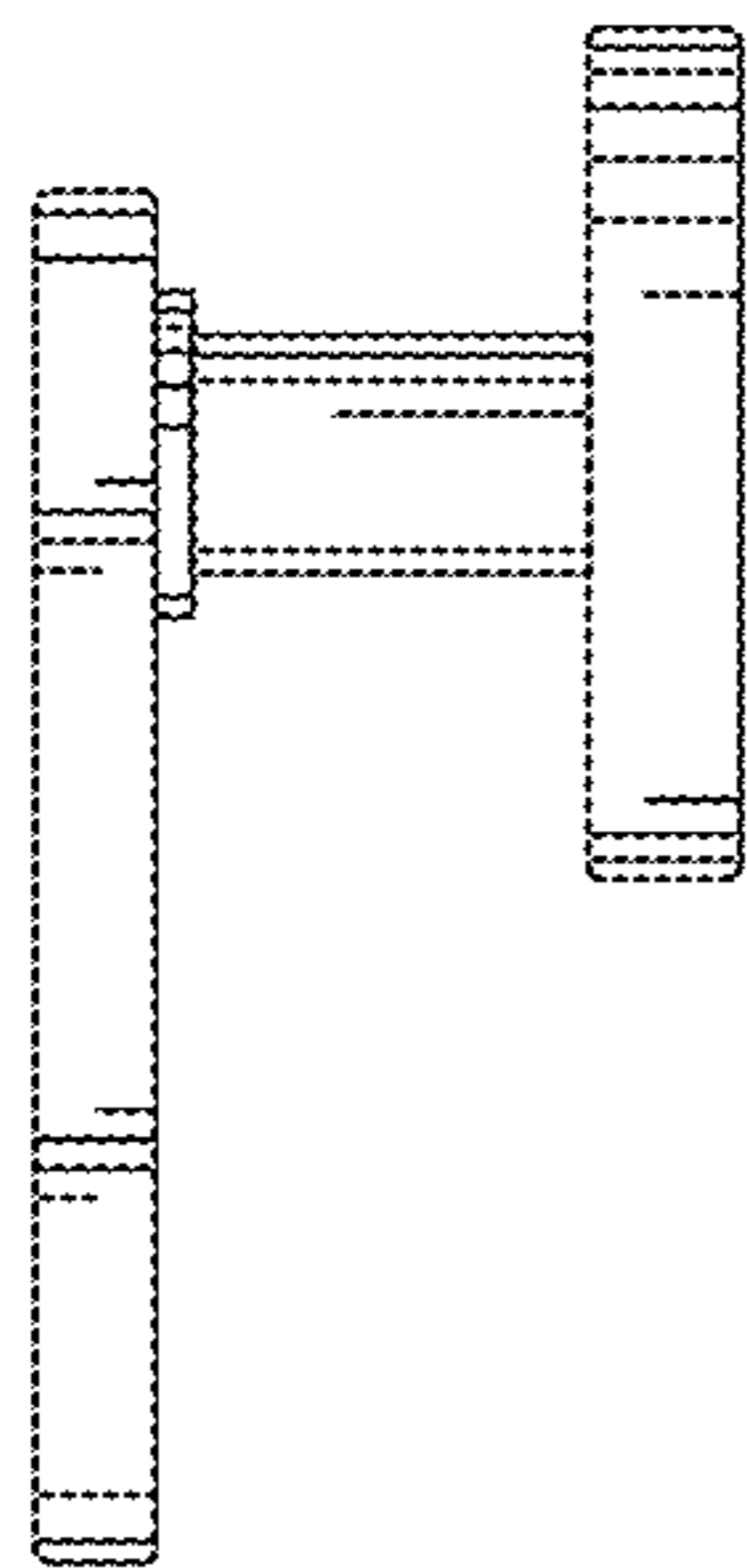


FIG. 3



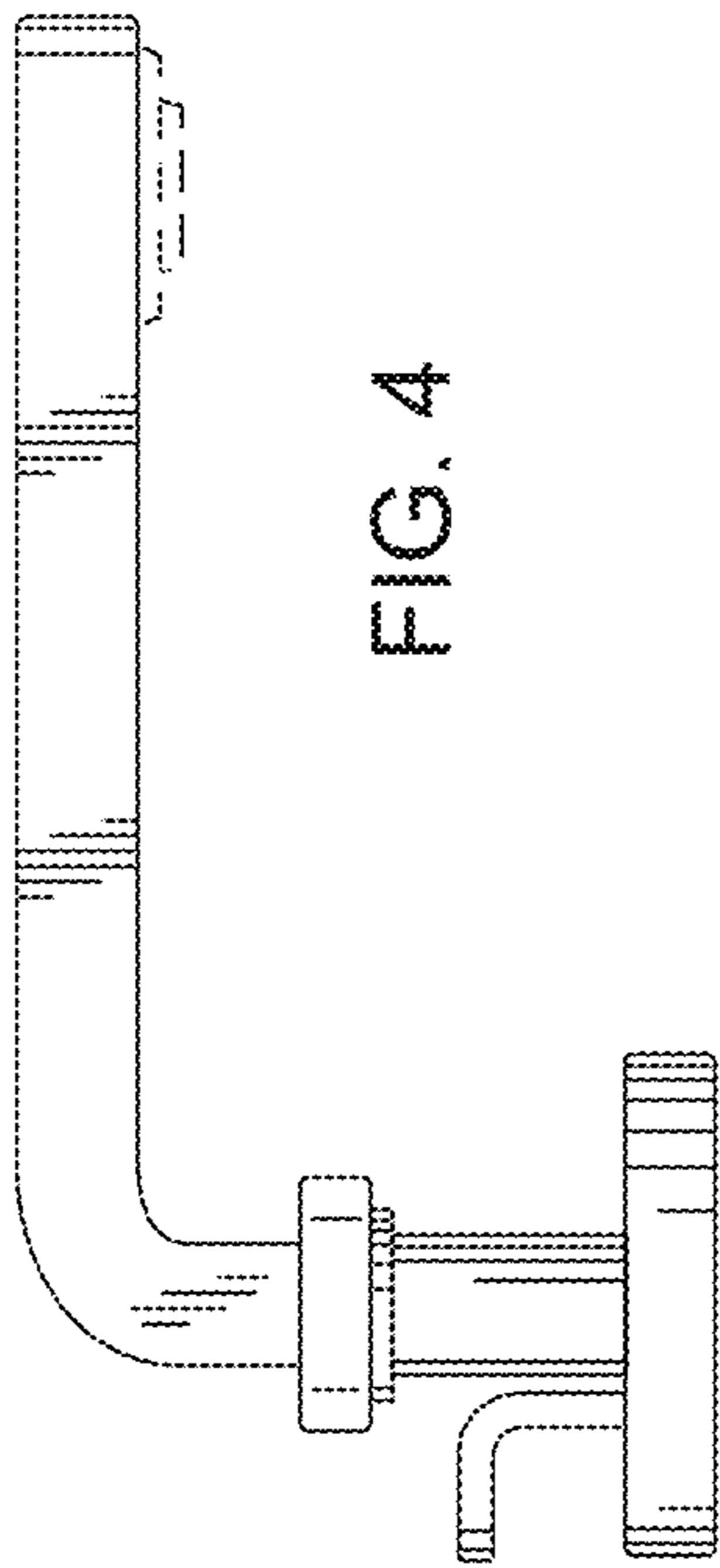


FIG. 4

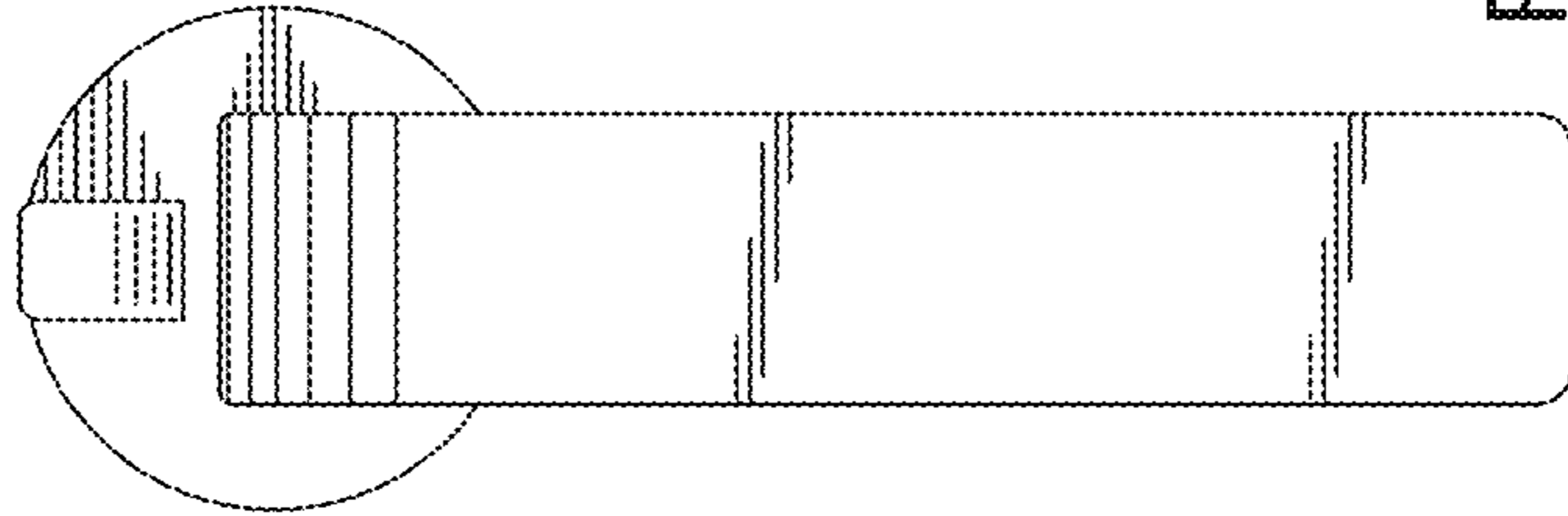
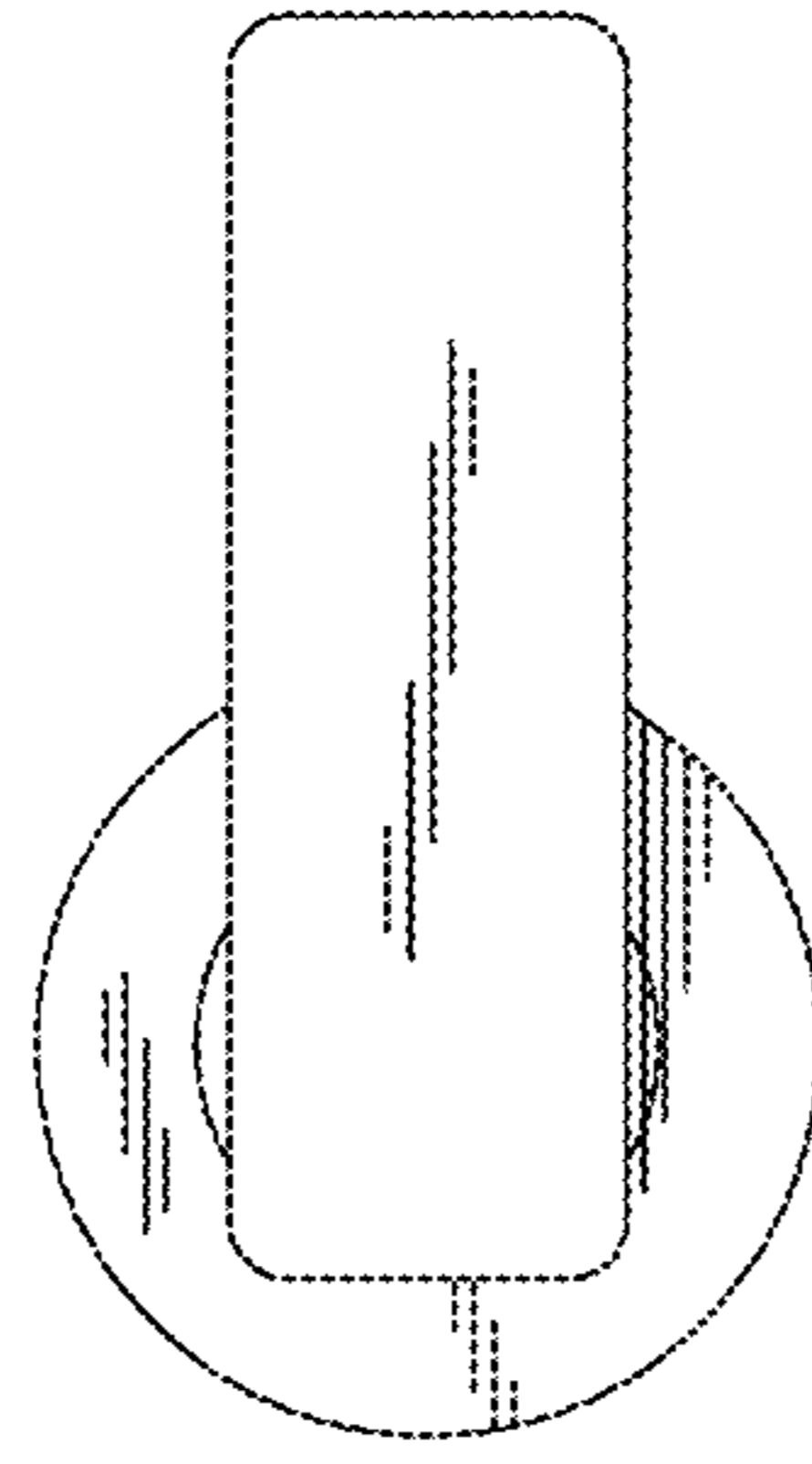


FIG. 5

