



US00D888891S

(12) **United States Design Patent**  
**Allen et al.**

(10) **Patent No.:** **US D888,891 S**  
(45) **Date of Patent:** **\*\* Jun. 30, 2020**

- (54) **JET LAVAGE**
- (71) Applicants: **Brandon Allen**, Waterford, PA (US);  
**Peter B. Grippe, Jr.**, Waterford, PA (US)
- (72) Inventors: **Brandon Allen**, Waterford, PA (US);  
**Peter B. Grippe, Jr.**, Waterford, PA (US)
- (\*\*) Term: **15 Years**
- (21) Appl. No.: **29/682,974**
- (22) Filed: **Mar. 8, 2019**
- (51) **LOC (12) Cl.** ..... **23-01**
- (52) **U.S. Cl.**  
USPC ..... **D23/223; D24/113**
- (58) **Field of Classification Search**  
USPC ..... D23/213, 214, 215, 223, 224, 226, 229,  
D23/230; D24/108, 110, 110.5, 111, 113,  
D24/133, 144  
CPC ..... A61H 9/0021; A61H 33/00; B05B 1/00;  
B05B 1/14; B05B 1/185; B05B 1/08;  
B05B 1/02; B05B 1/26; B05B 12/002;  
B05B 1/18; B05B 9/01; F16L 37/46;  
F16L 37/00; F17C 13/12; F17C  
2205/0376; A61B 2217/007; A61B  
2217/005; A61M 1/0058; A61M 3/0258;  
A61M 1/0064  
See application file for complete search history.

- 6,059,754 A \* 5/2000 Pasch ..... A61M 3/022  
604/152
- D677,362 S \* 3/2013 Christopher ..... D23/223
- 8,460,251 B2 \* 6/2013 Ebbett ..... A61D 7/00  
604/223
- D782,005 S \* 3/2017 Naslund ..... D23/223
- D805,567 S \* 12/2017 Kita ..... D15/144.2
- D826,025 S \* 8/2018 Harrington ..... D8/107
- 10,245,042 B2 \* 4/2019 Koltz ..... A61B 17/1622

**FOREIGN PATENT DOCUMENTS**

- DE 102009021421 A1 \* 11/2010 ..... A61M 1/0064

**OTHER PUBLICATIONS**

<https://www.endocon.de/jetlavageEN.html> (Year: 2020).\*

\* cited by examiner

*Primary Examiner* — Manpreet S Matharu  
*Assistant Examiner* — Keith J Wilson  
(74) *Attorney, Agent, or Firm* — Jonathan M. D’Silva;  
MMI Intellectual Property

(57) **CLAIM**

We claim the ornamental design for a jet lavage, as shown and described.

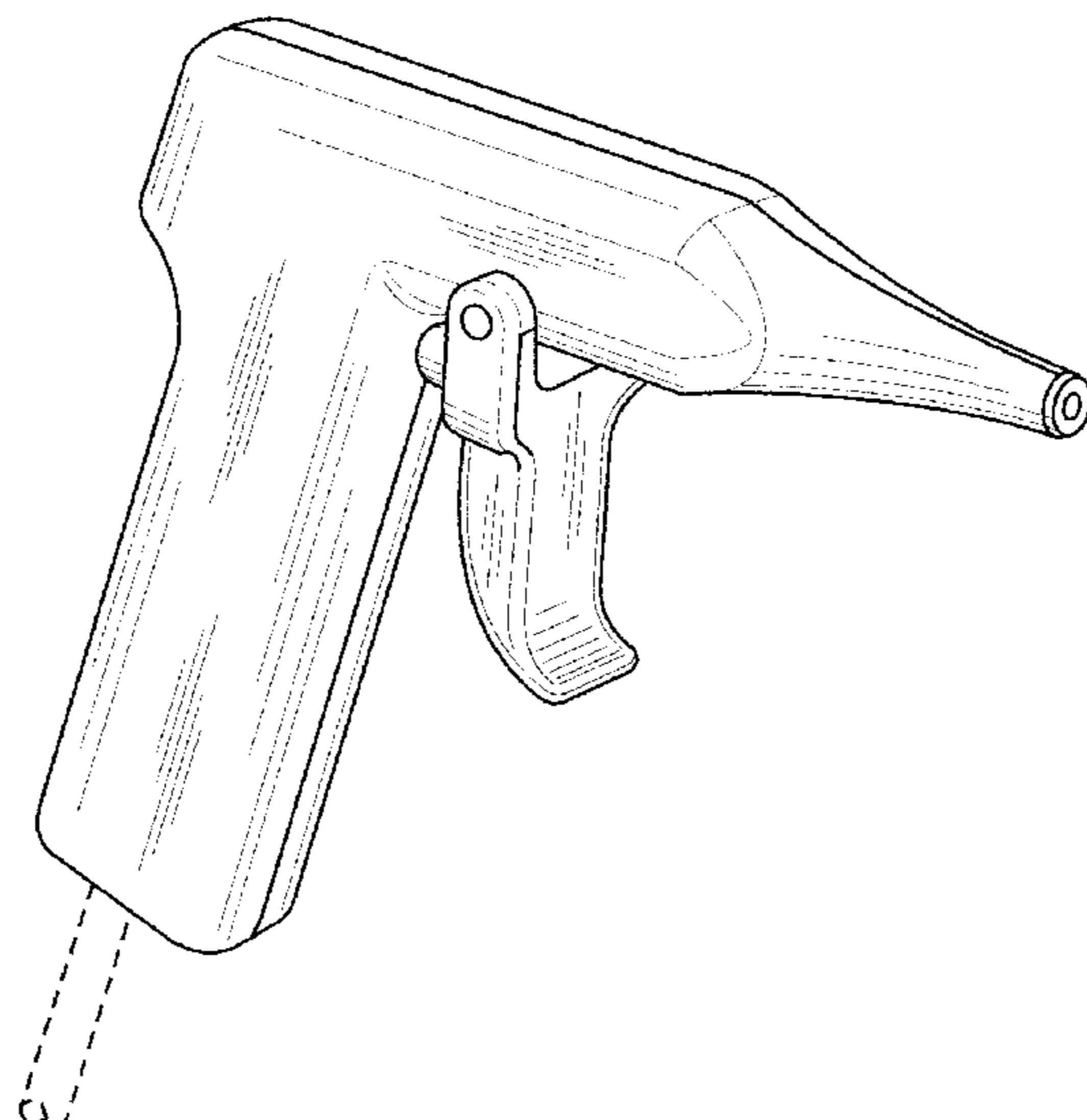
**DESCRIPTION**

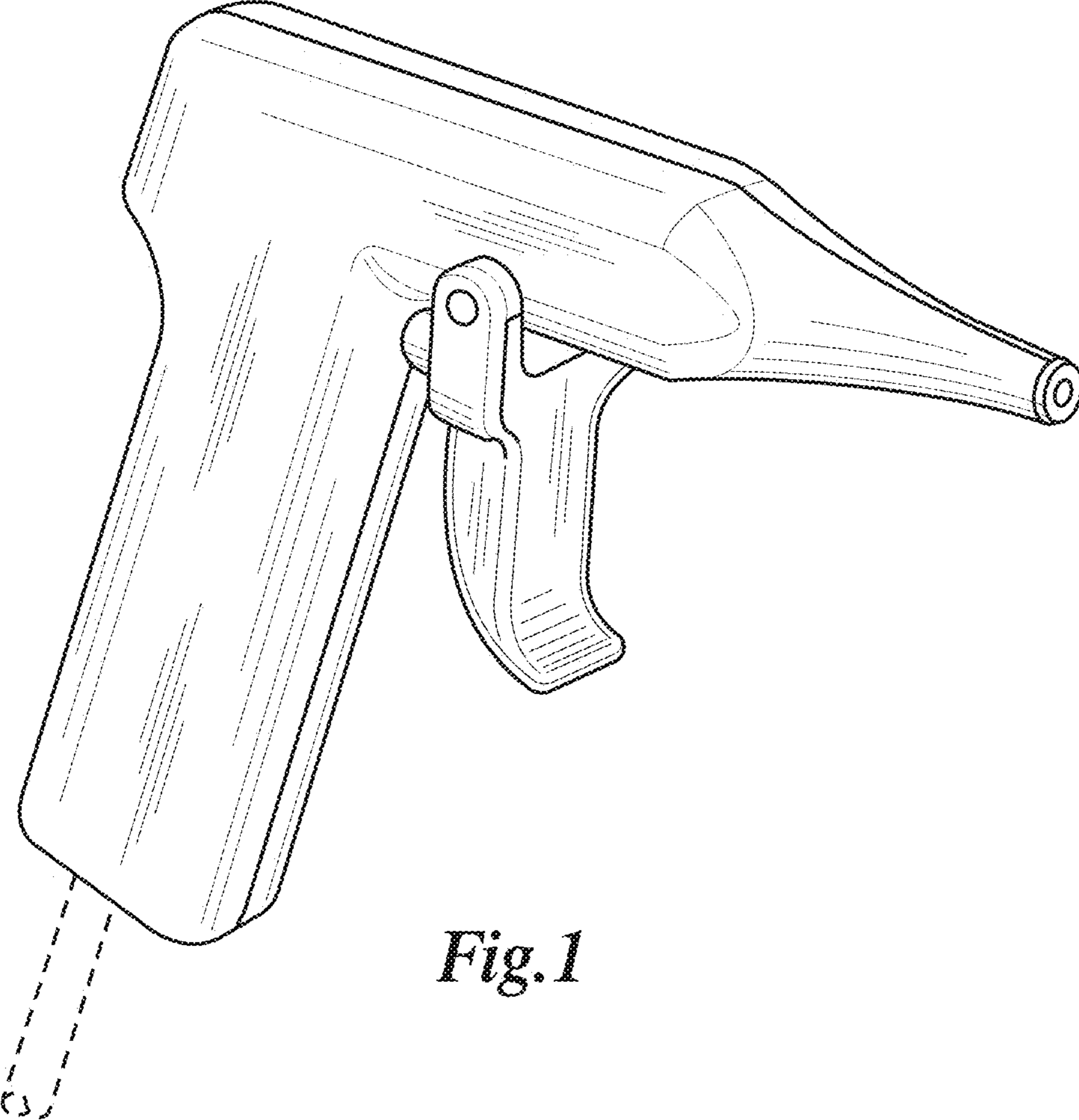
FIG. 1 is a perceptive view of the jet lavage;  
FIG. 2 is a left view of the jet lavage of FIG. 1;  
FIG. 3 is a right view of the jet lavage of FIG. 1;  
FIG. 4 is a back view of the jet lavage of FIG. 1;  
FIG. 5 is a front view of the jet lavage of FIG. 1;  
FIG. 6 is a top view of the jet lavage of FIG. 1; and,  
FIG. 7 is a bottom view of the jet lavage of FIG. 1.  
The broken lines of FIG. 1 illustrate an air inlet tube and is included for the purposes of illustrating the environment of the design only and forms no part of the claimed design.

**1 Claim, 3 Drawing Sheets**

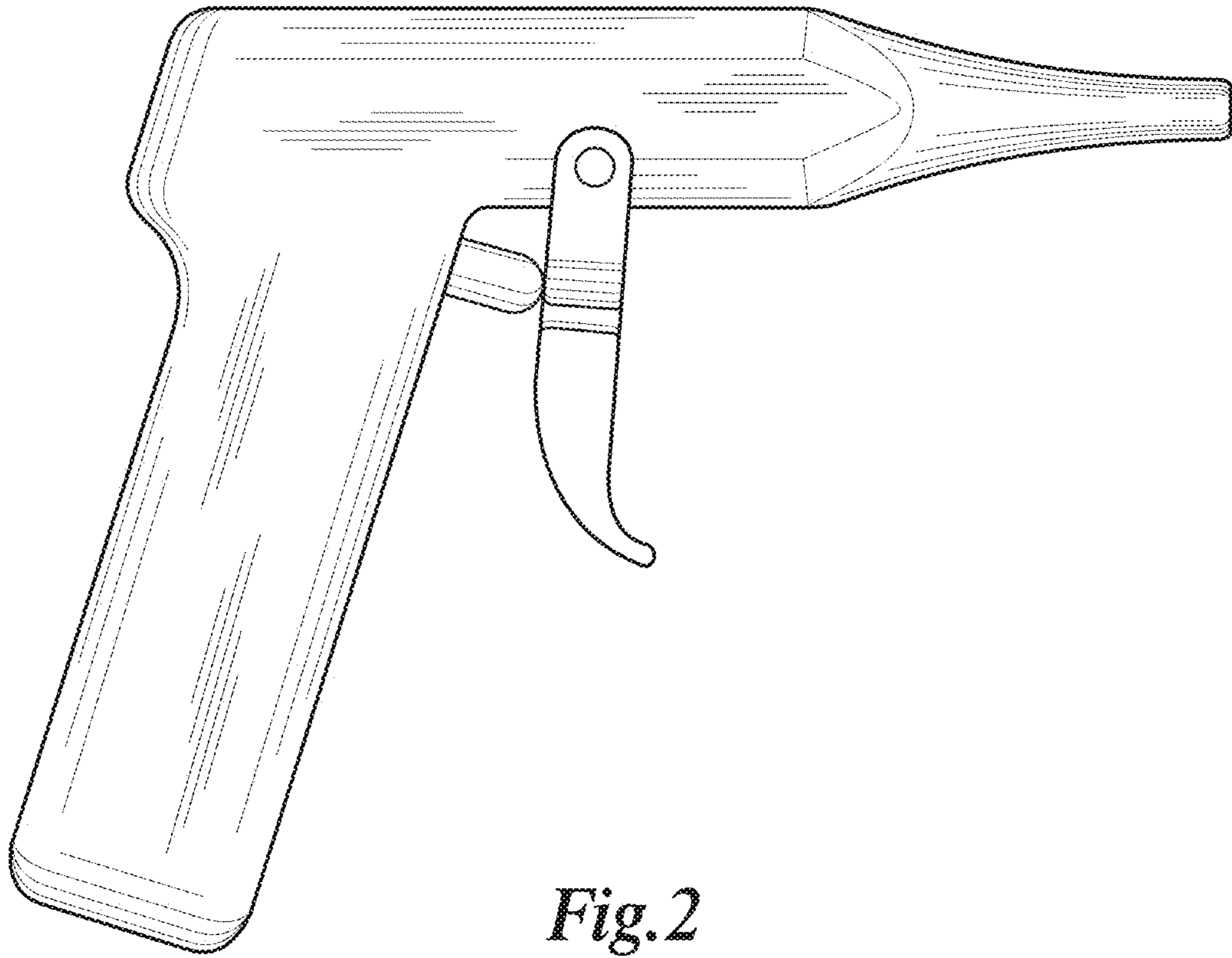
(56) **References Cited**  
U.S. PATENT DOCUMENTS

- 4,583,531 A \* 4/1986 Matthen ..... A61C 17/028  
601/161
- 5,046,486 A \* 9/1991 Grulke ..... A61C 17/028  
601/161
- 5,312,333 A \* 5/1994 Churinetz ..... A61B 17/00491  
604/140
- 5,470,305 A \* 11/1995 Arnett ..... A61M 3/022  
601/161

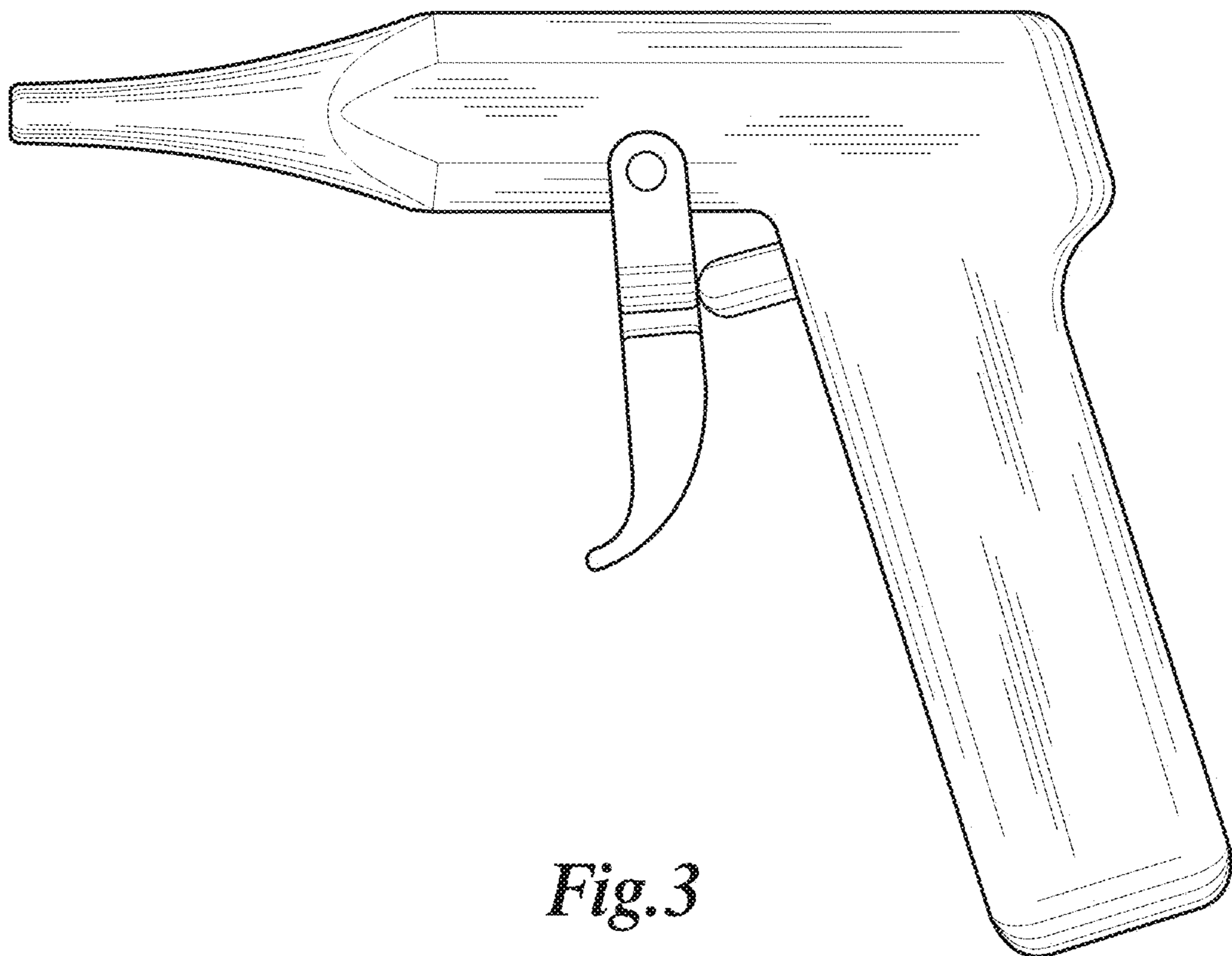




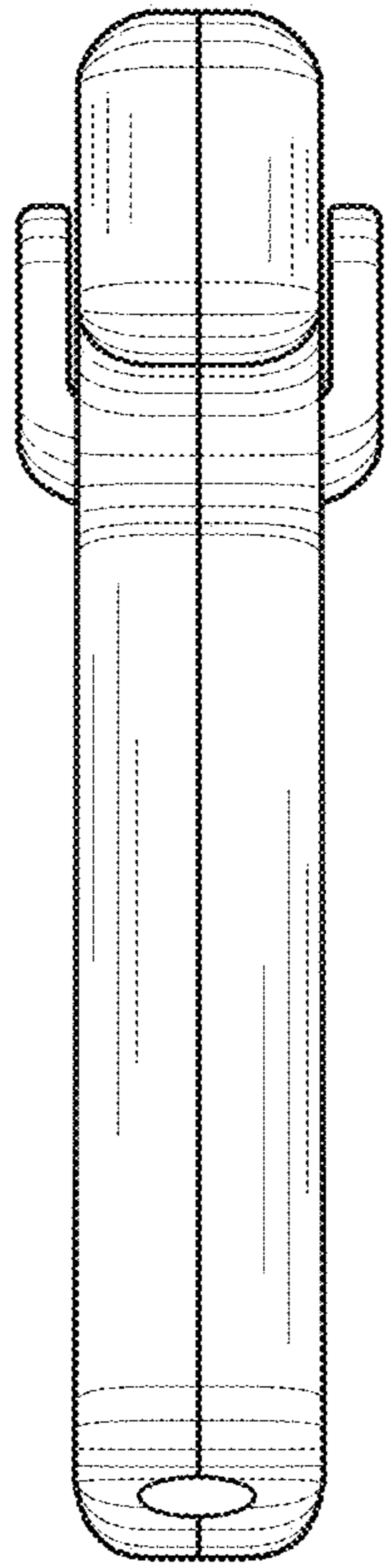
*Fig. 1*



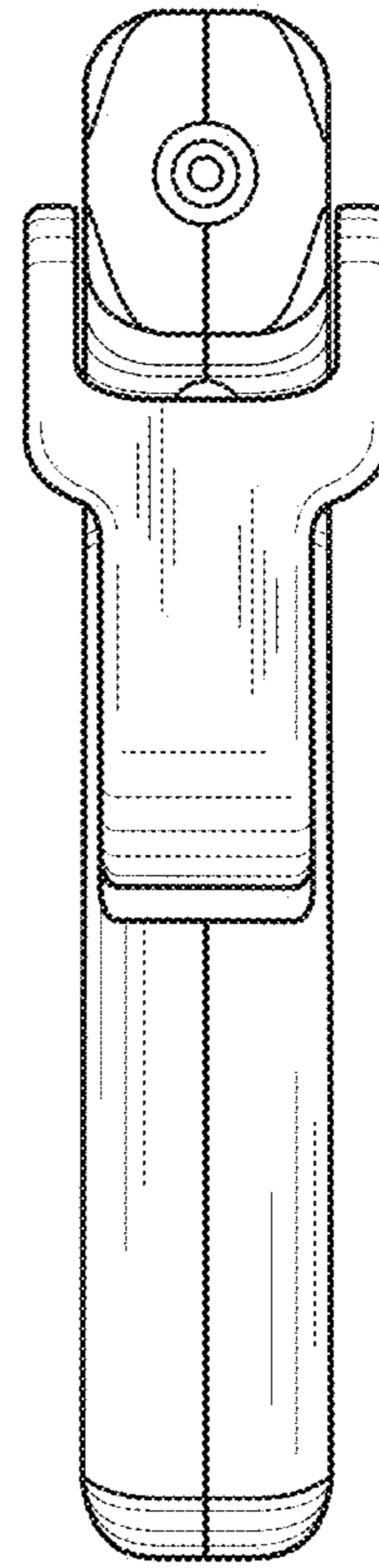
*Fig. 2*



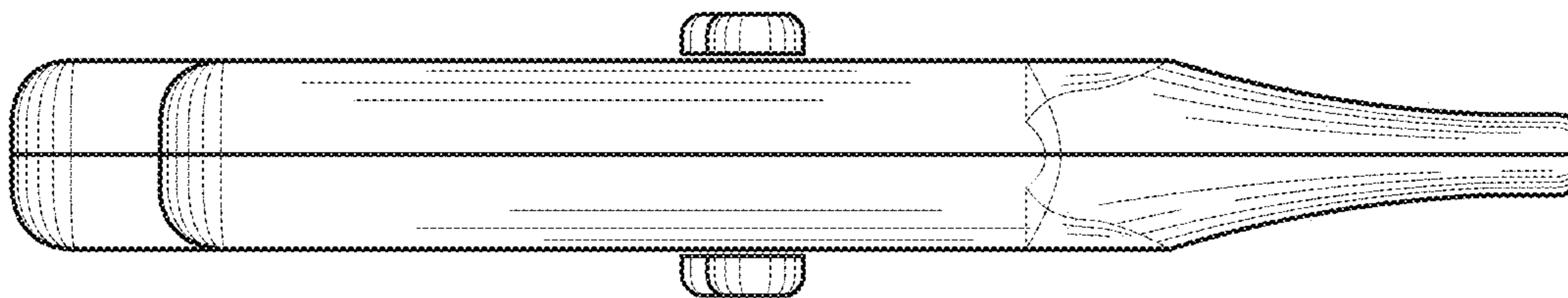
*Fig. 3*



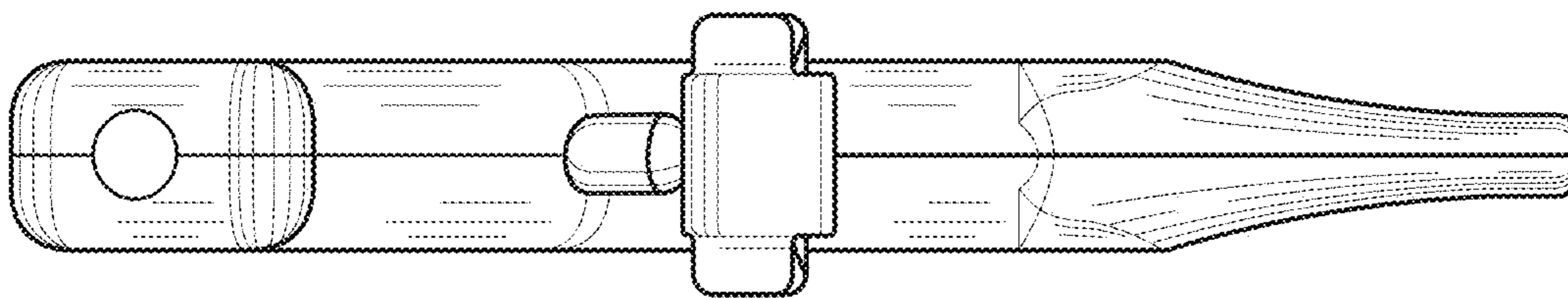
*Fig. 4*



*Fig. 5*



*Fig. 6*



*Fig. 7*