



US00D888890S

(12) **United States Design Patent**  
**Hamlin**

(10) **Patent No.:** **US D888,890 S**  
(45) **Date of Patent:** **\*\* Jun. 30, 2020**

(54) **TEXTURE SPRAY CARTRIDGE TIP**

(71) Applicant: **PPG Architectural Finishes, Inc.**,  
Pittsburgh, PA (US)

(72) Inventor: **Christopher R. Hamlin**, Seattle, WA  
(US)

(73) Assignee: **PPG Architectural Finishes, Inc.**,  
Pittsburgh, PA (US)

(\*\*) Term: **15 Years**

(21) Appl. No.: **29/685,887**

(22) Filed: **Apr. 1, 2019**

(51) **LOC (12) Cl.** ..... **23-01**

(52) **U.S. Cl.**  
USPC ..... **D23/213**

(58) **Field of Classification Search**  
USPC ..... D23/213, 214, 215, 223, 224, 226, 229,  
D23/230

CPC ..... A61H 9/0021; A61H 33/00; B05B 1/00;  
B05B 1/14; B05B 1/185; B05B 1/08;  
B05B 1/02; B05B 1/26; B05B 12/002;  
B05B 1/18; B05B 9/01

See application file for complete search history.

(56) **References Cited**

**U.S. PATENT DOCUMENTS**

- 4,174,068 A 11/1979 Rudolph
- 6,135,318 A \* 10/2000 Valley ..... B65D 47/242  
222/48
- 6,557,787 B2 \* 5/2003 Swan ..... B05B 1/267  
239/597
- D504,492 S \* 4/2005 Yeager ..... D23/213
- D532,863 S \* 11/2006 Mather ..... D23/213
- D535,721 S \* 1/2007 Ford ..... D23/213
- D549,802 S \* 8/2007 Guenther ..... D23/213
- D568,439 S \* 5/2008 Fulkerson ..... D23/213
- 7,708,211 B2 \* 5/2010 Maier ..... B05C 17/00516  
239/456
- D639,903 S \* 6/2011 Plotzitzka ..... D23/213
- D670,356 S \* 11/2012 Sanwald ..... D23/213
- D684,661 S \* 6/2013 Ogen ..... D23/213

- D723,136 S \* 2/2015 Roberts ..... D23/213
- RE45,395 E \* 3/2015 Fulkerson ..... D23/213
- D723,658 S \* 3/2015 Meister ..... D23/213
- D745,635 S \* 12/2015 Schwarz ..... D23/213
- D747,440 S \* 1/2016 Naslund ..... D23/213
- D808,431 S \* 1/2018 Tseng ..... D15/5

(Continued)

**FOREIGN PATENT DOCUMENTS**

- DE 9011965 U1 10/1990
- EP 0525562 A1 2/1993

(Continued)

**OTHER PUBLICATIONS**

[https://www.amazon.com/dp/B07L8WHFZ1/ref=sspa\\_dk\\_detail\\_1?psc=1&spLa=ZW5jcnIwdGVkUXVhbGImaWVvYyPUFRQ09FUFg0NlIdYMEgmZW5jcnIwdGVkSWQ9QTEwMTQwMzBMQjIVQTFBWDNIRFYmZW5jcnIwdGVkQWRJZD1BMDczMjU0OTFwTVhBQzNCVIJRRE8md2lkZ2V0TmFtZT1zcF9kZXRhaWwyJmFjdGlvbj1jbGlja1JlZGlzZW50JmRvTm90TG9nQ2xpY2s9dHJ1ZQ==](https://www.amazon.com/dp/B07L8WHFZ1/ref=sspa_dk_detail_1?psc=1&spLa=ZW5jcnIwdGVkUXVhbGImaWVvYyPUFRQ09FUFg0NlIdYMEgmZW5jcnIwdGVkSWQ9QTEwMTQwMzBMQjIVQTFBWDNIRFYmZW5jcnIwdGVkQWRJZD1BMDczMjU0OTFwTVhBQzNCVIJRRE8md2lkZ2V0TmFtZT1zcF9kZXRhaWwyJmFjdGlvbj1jbGlja1JlZGlzZW50JmRvTm90TG9nQ2xpY2s9dHJ1ZQ==)  
(Year: 2019).\*

*Primary Examiner* — Manpreet S Matharu

*Assistant Examiner* — Keith J Wilson

(74) *Attorney, Agent, or Firm* — Alan G. Towner

(57) **CLAIM**

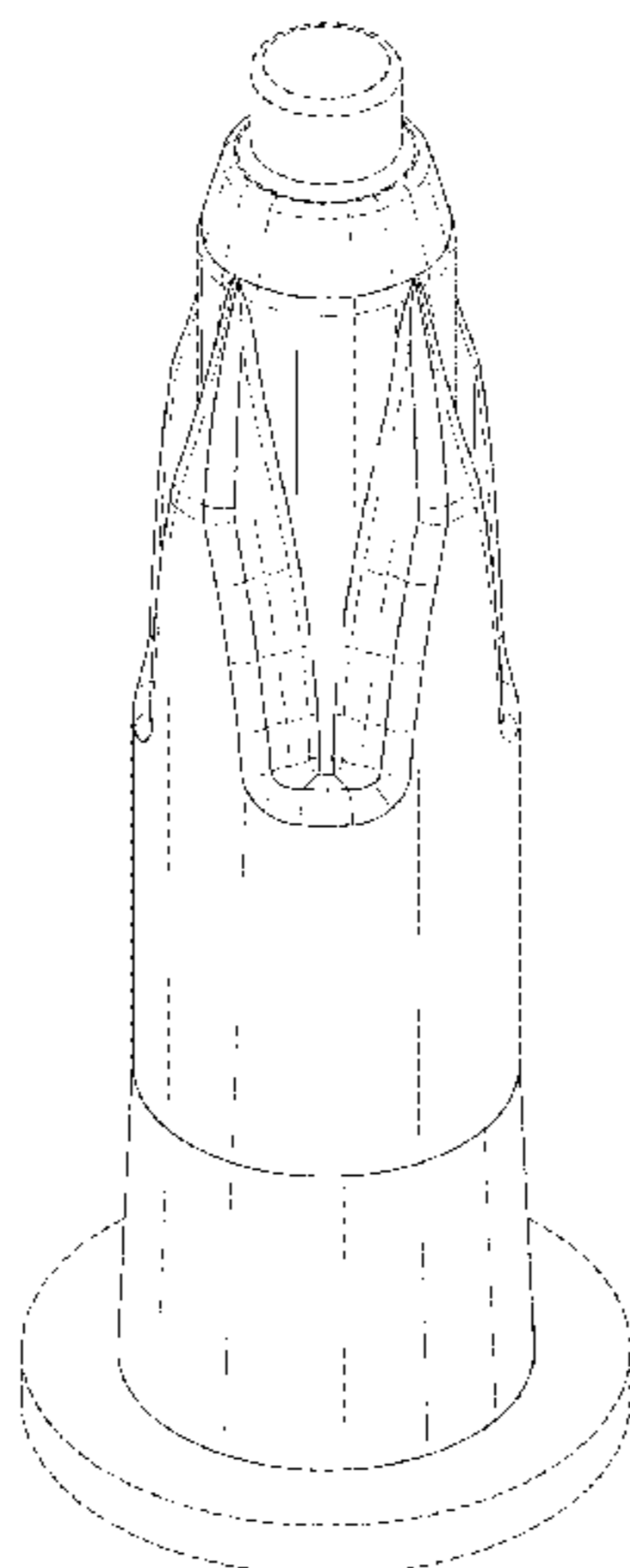
The ornamental design for a texture spray cartridge tip, as shown and described.

**DESCRIPTION**

FIG. 1 is an isometric view of the texture spray cartridge tip; FIG. 2 is a front view thereof, the left side, right side and back views of the texture spray cartridge tip are identical to the front view thereof; FIG. 3 is a top view thereof; and, FIG. 4 is a bottom view thereof.

The broken lines depict portions of the texture spray cartridge tip in which the design is embodied and form no part of the claimed design.

**1 Claim, 2 Drawing Sheets**



(56)

**References Cited**

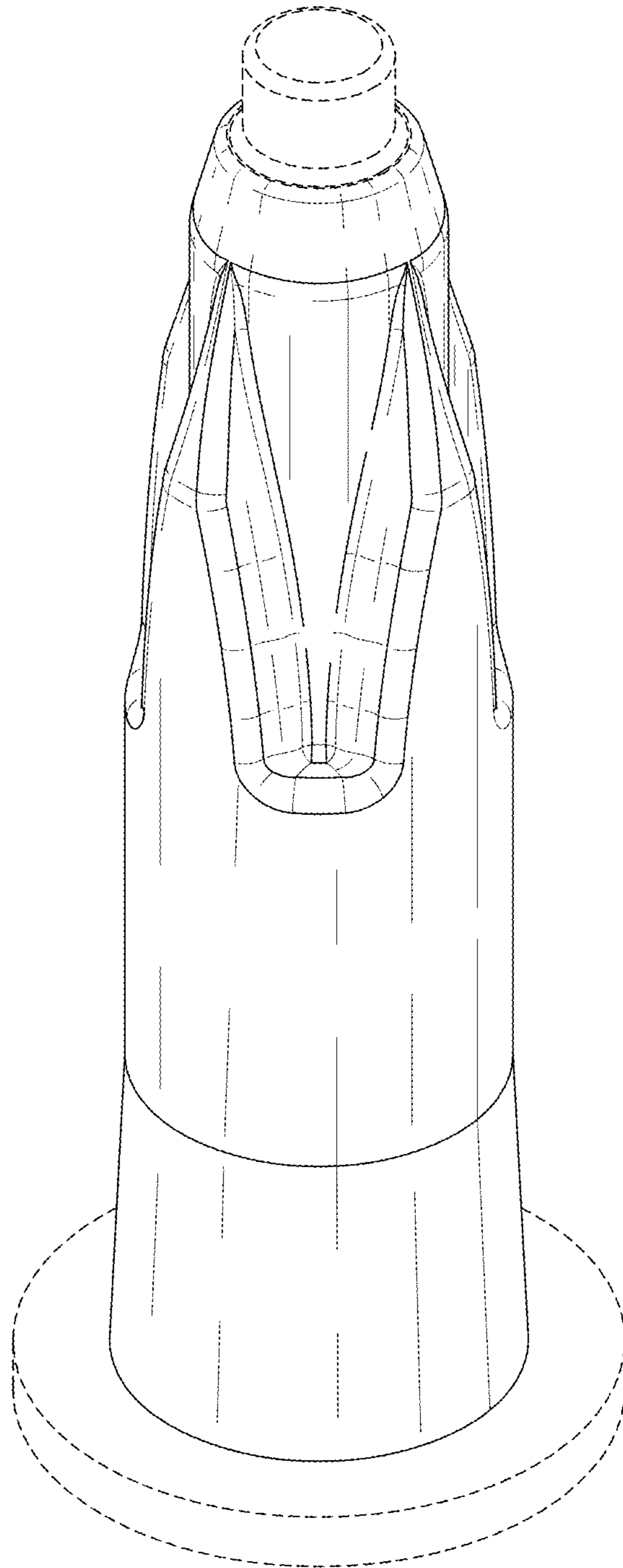
U.S. PATENT DOCUMENTS

D808,497 S \* 1/2018 Naslund ..... D23/213  
D812,714 S \* 3/2018 Hughes ..... D23/213  
D827,087 S \* 8/2018 Merritt ..... D23/213  
D837,933 S \* 1/2019 Carroll ..... D23/213  
D867,529 S \* 11/2019 Yang ..... D23/213

FOREIGN PATENT DOCUMENTS

EP 0548509 A1 6/1993  
FR 1209697 A 3/1960

\* cited by examiner



*FIG. 1*

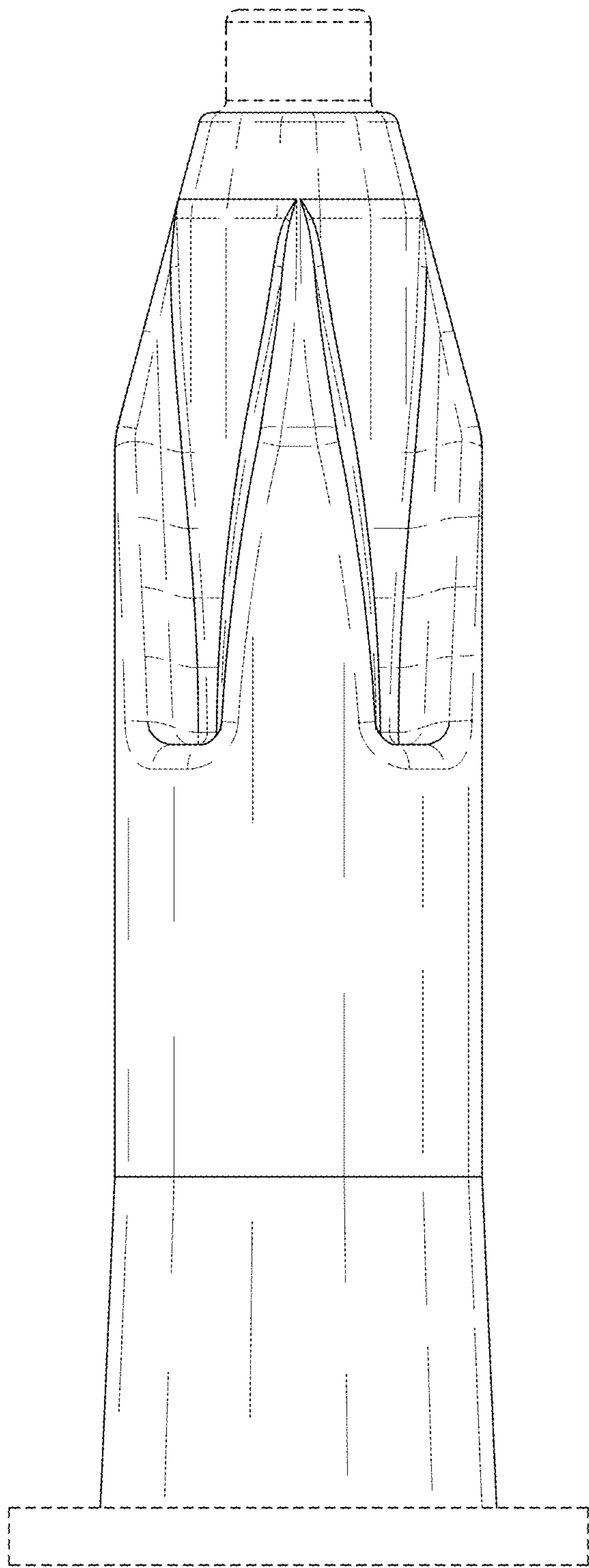


FIG. 2

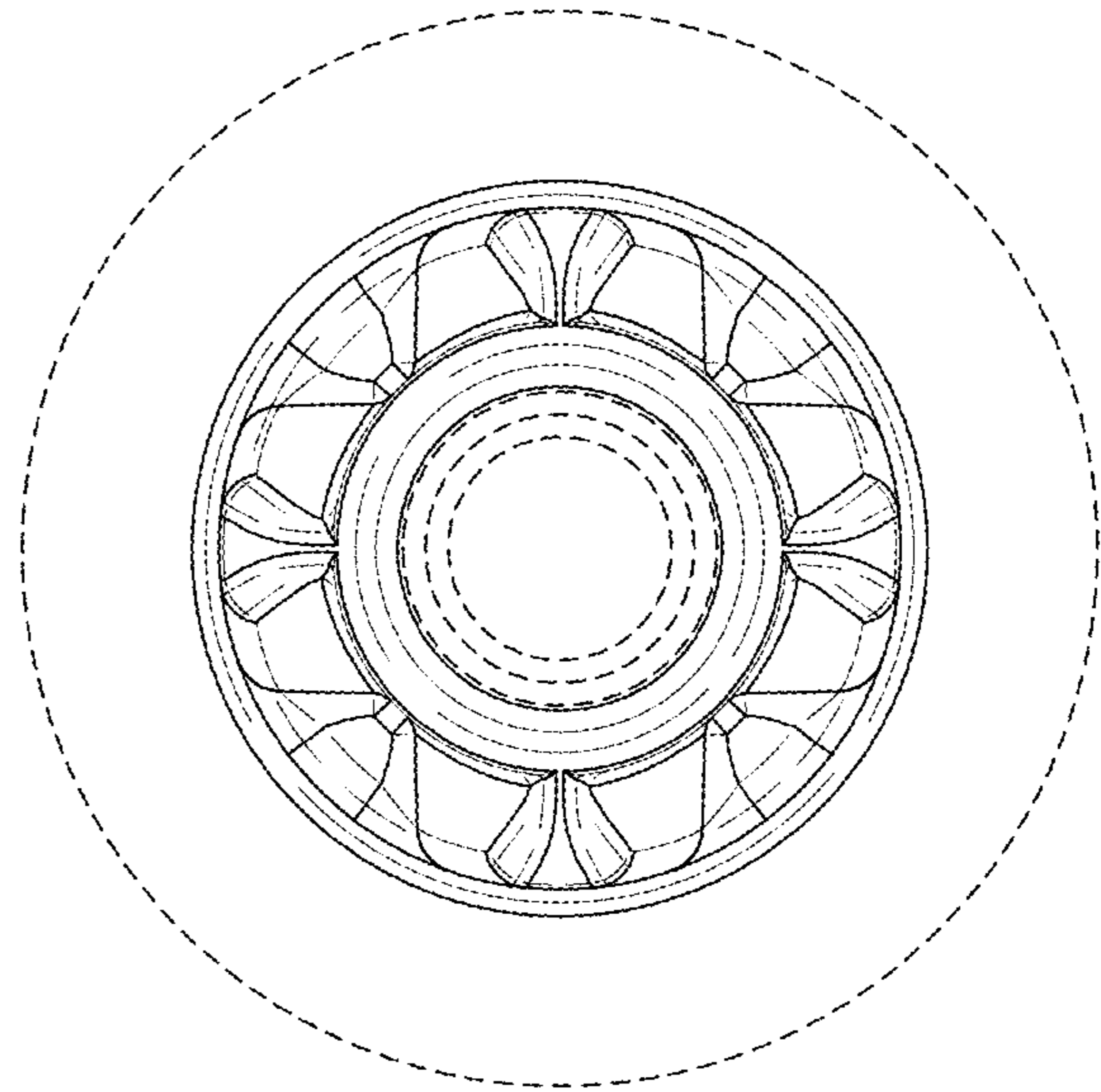


FIG. 3

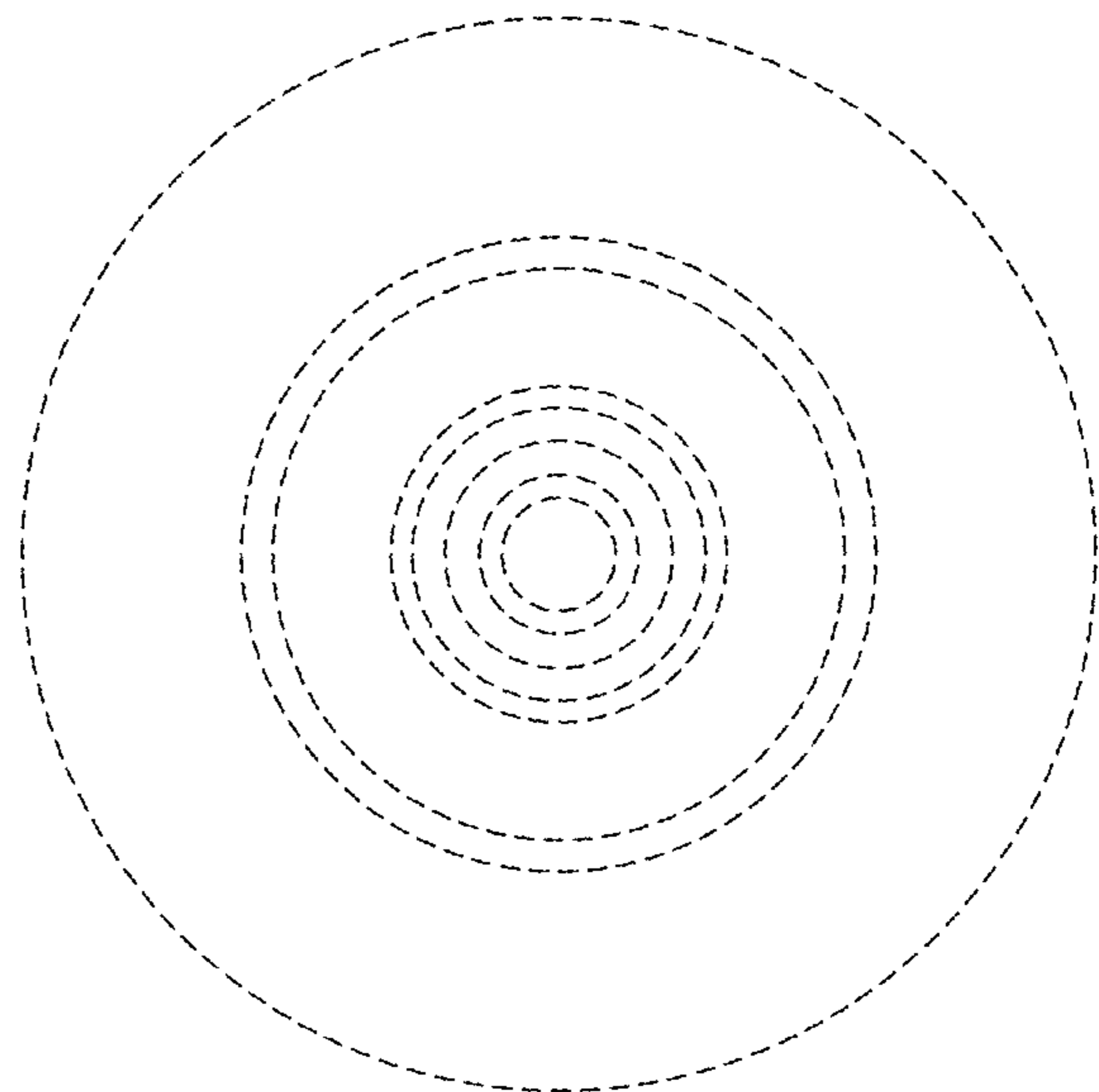


FIG. 4