



US00D888889S

(12) **United States Design Patent** (10) **Patent No.:** **US D888,889 S**  
**Pehar et al.** (45) **Date of Patent:** **\*\* Jun. 30, 2020**

(54) **PORTABLE FUEL TANK BODY**

(71) Applicants: **David Michael Pehar**, Willoughby, OH (US); **John Samuel McKenzie**, Aurora, OH (US); **Robert Allen Vystreil**, Garrettsville, OH (US)

(72) Inventors: **David Michael Pehar**, Willoughby, OH (US); **John Samuel McKenzie**, Aurora, OH (US); **Robert Allen Vystreil**, Garrettsville, OH (US)

(73) Assignee: **Scepter Manufacturing, LLC**, Wilmington, DE (US)

(\*\*) Term: **15 Years**

(21) Appl. No.: **29/646,623**

(22) Filed: **May 6, 2018**

(51) **LOC (12) Cl.** ..... **23-01**

(52) **U.S. Cl.**  
USPC ..... **D23/211.1**; D9/527

(58) **Field of Classification Search**  
USPC ..... D9/500, 502, 516, 530, 537, 539, 542, D9/549, 763-783, 531, 533, 523, D9/526-528, 559, 560, 563, 572, 575, D9/434, 443; D23/211, 211.1, 211.2  
CPC ..... B21D 51/26; B21D 51/383; B29C 66/71; B65D 1/00; B65D 1/02; B65D 1/12; B65D 1/14; B65D 1/40; B65D 1/44; B65D 1/023; B65D 1/0223; B65D 1/165; B65D 1/238; B65D 1/246; B65D 1/253; B65D 7/04; B65D 21/0209; B65D 21/0233; B65D 25/00; B65D 25/28; B65D 41/0457; B65D 41/17; B65D 53/06; B65D 75/56; B65D 79/005; B65D 2501/0036; B65D 2543/00064; B65D 2543/00074; B65D 2543/00083; B65D 2543/00092; B65D 2543/00101; B65D 2543/00111; Y10T 29/49826

See application file for complete search history.

(56) **References Cited**

U.S. PATENT DOCUMENTS

D312,210 S *	11/1990	Myerson .....	D9/528
D339,066 S *	9/1993	Brown .....	D9/520
D435,451 S *	12/2000	Giugiaro .....	D9/528
D496,864 S *	10/2004	Reynolds .....	D9/528
D520,368 S *	5/2006	Dorn .....	D9/520
D595,586 S *	7/2009	Kissinger .....	D9/528
D608,208 S *	1/2010	Vaughan .....	D9/528
D616,752 S *	6/2010	Adams .....	D9/527
D654,796 S *	2/2012	Wurth .....	D9/528
D656,401 S *	3/2012	Hickey .....	D9/527
D658,062 S *	4/2012	Kim .....	D9/528
D747,968 S *	1/2016	Martin .....	D9/453
D799,972 S *	10/2017	Jost .....	D9/528
D828,169 S *	9/2018	Cowan-Hughes .....	D9/528
D867,889 S *	11/2019	Baumann .....	D9/528

\* cited by examiner

*Primary Examiner* — Keli L Hill

(57) **CLAIM**

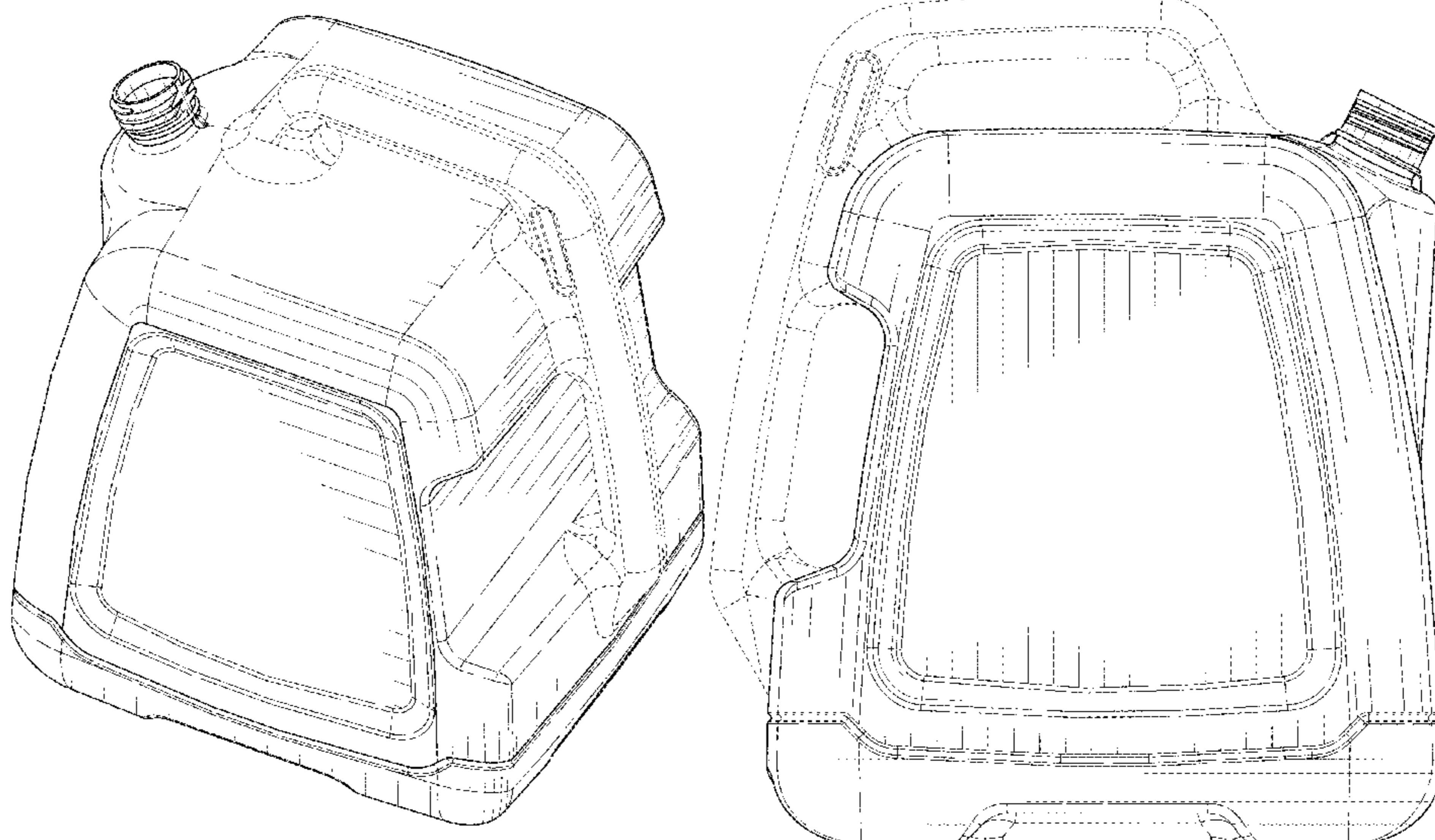
The ornamental design for a portable fuel tank body, as shown and described.

**DESCRIPTION**

FIG. 1 is a perspective view of a portable fuel tank body, showing our new design;  
 FIG. 2 is a left side elevation view thereof;  
 FIG. 3 is a right side elevation view thereof;  
 FIG. 4 is a front elevation view thereof;  
 FIG. 5 is a rear elevation view thereof;  
 FIG. 6 is a top plan view thereof; and,  
 FIG. 7 is a bottom view thereof.

The broken lines shown are included for the purpose of illustrating portions of the portable fuel tank body that form no part of the claim.

**1 Claim, 7 Drawing Sheets**



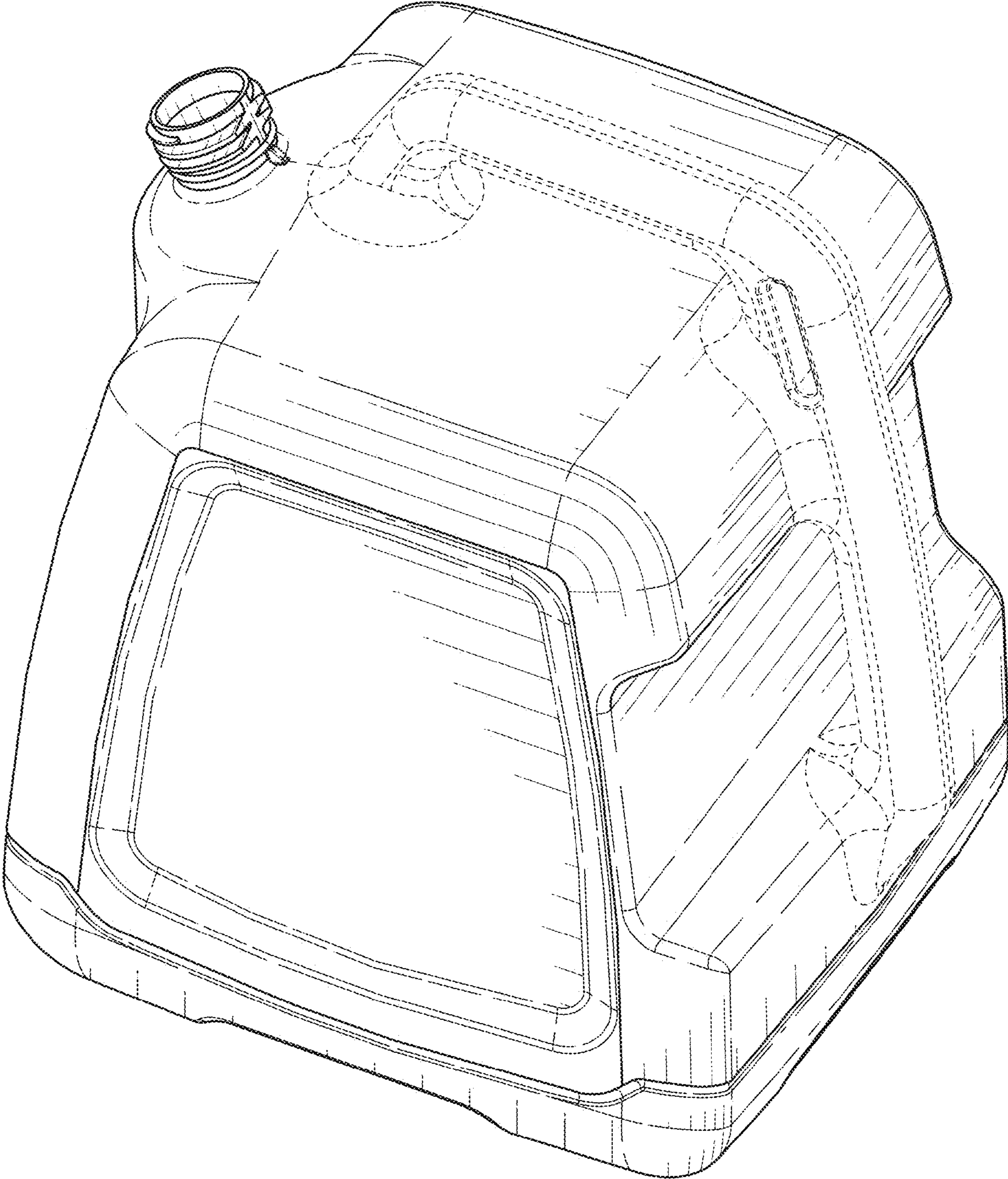


FIG. 1

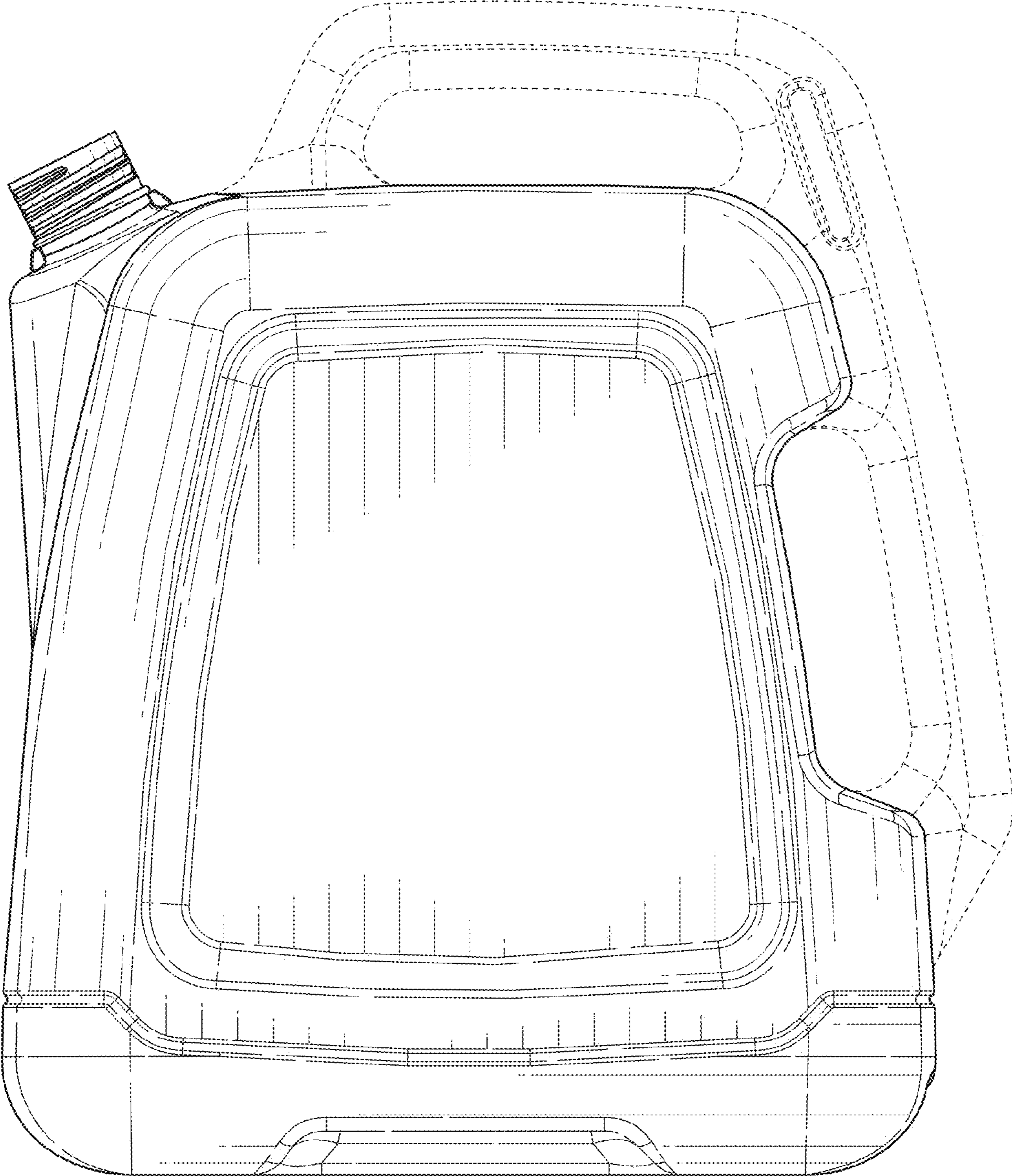


FIG. 2

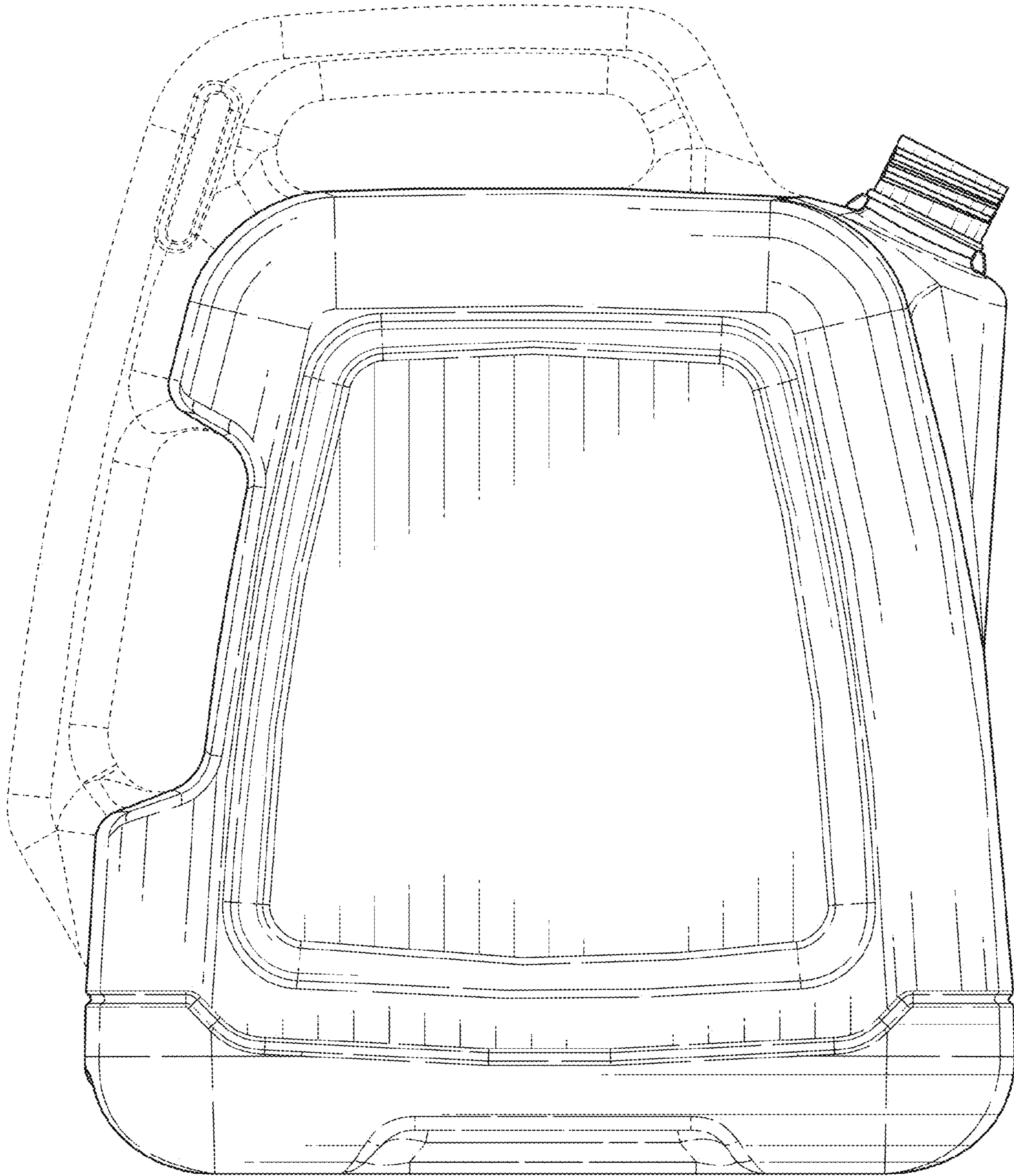


FIG. 3

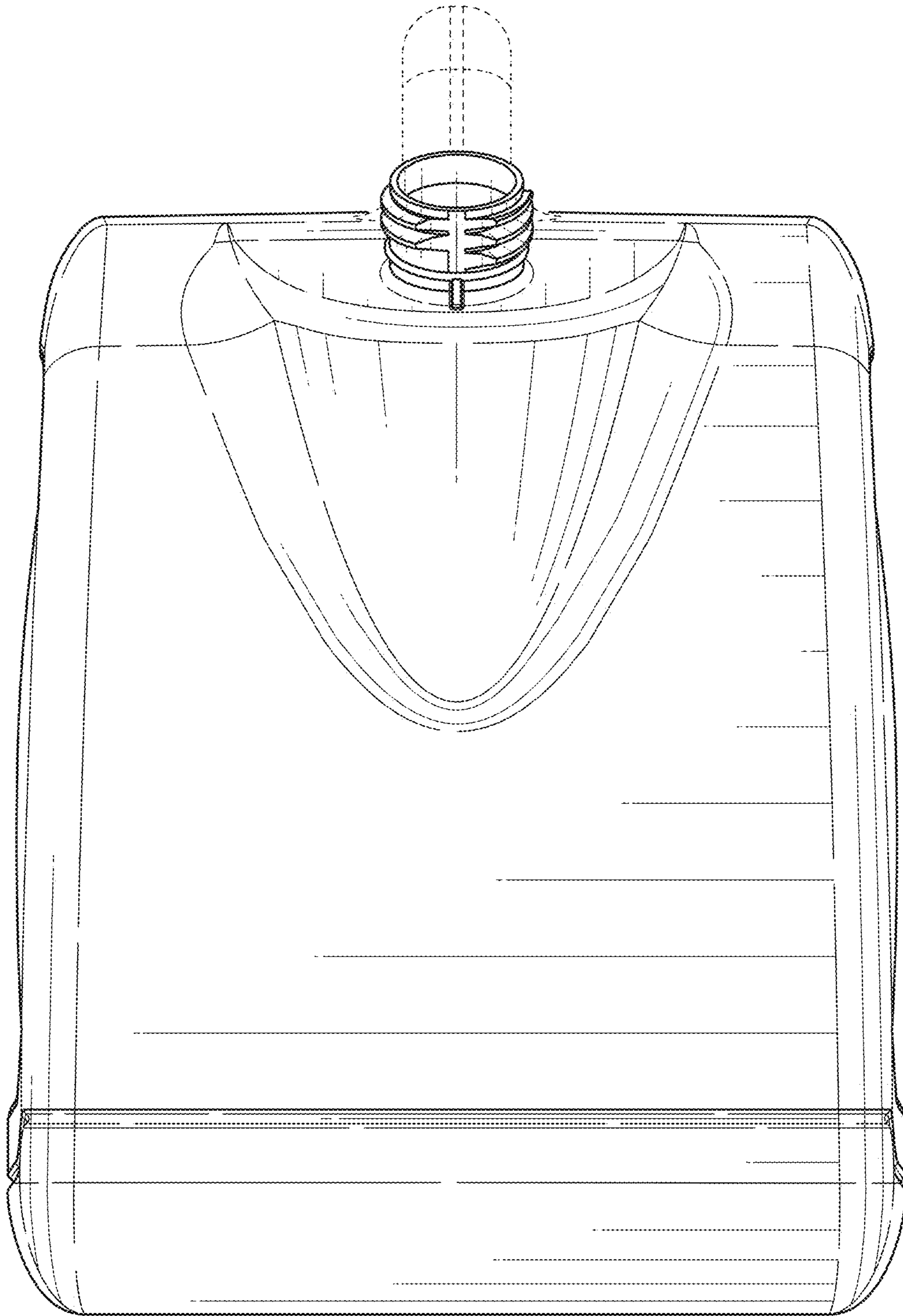


FIG. 4

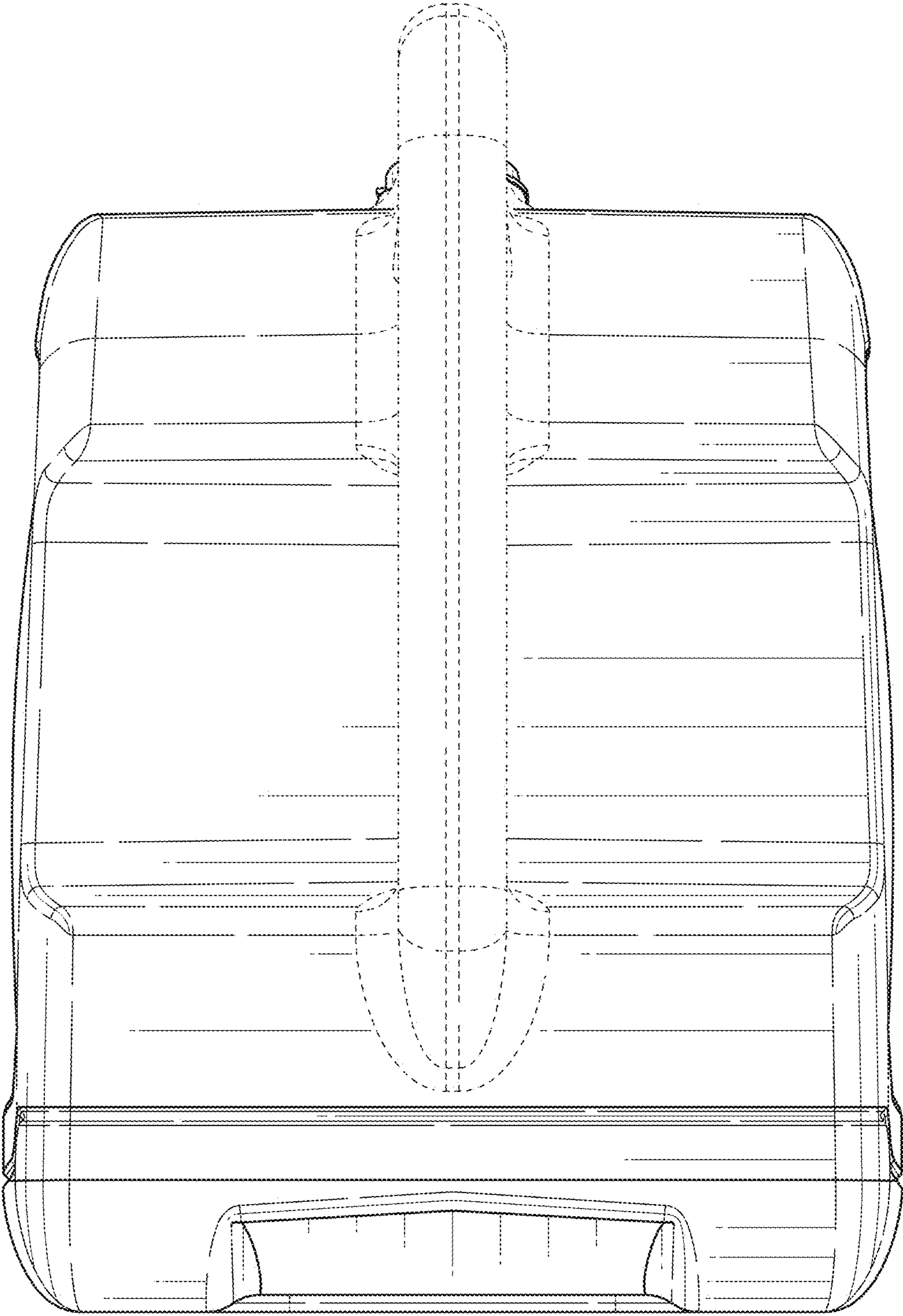


FIG. 5

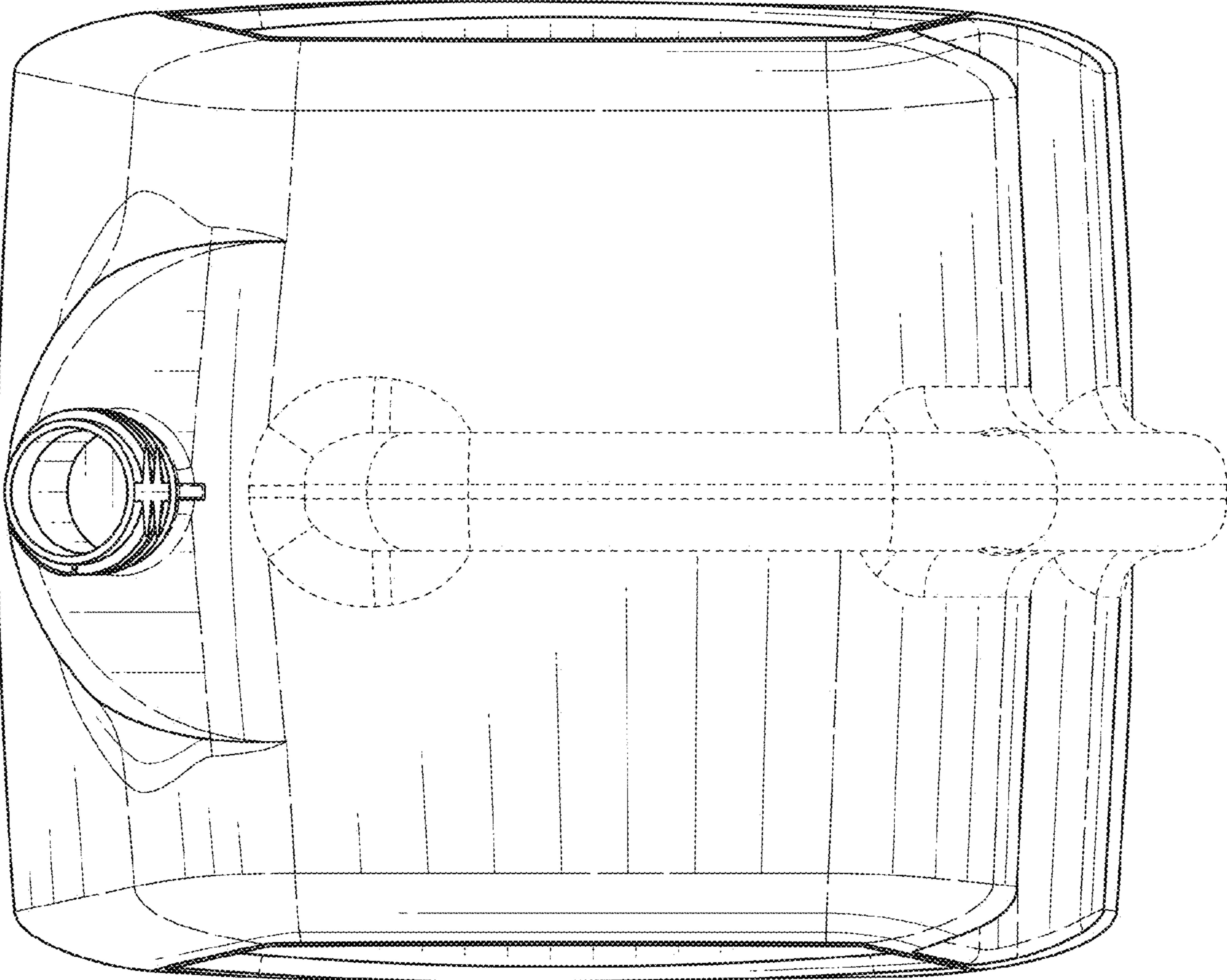


FIG. 6

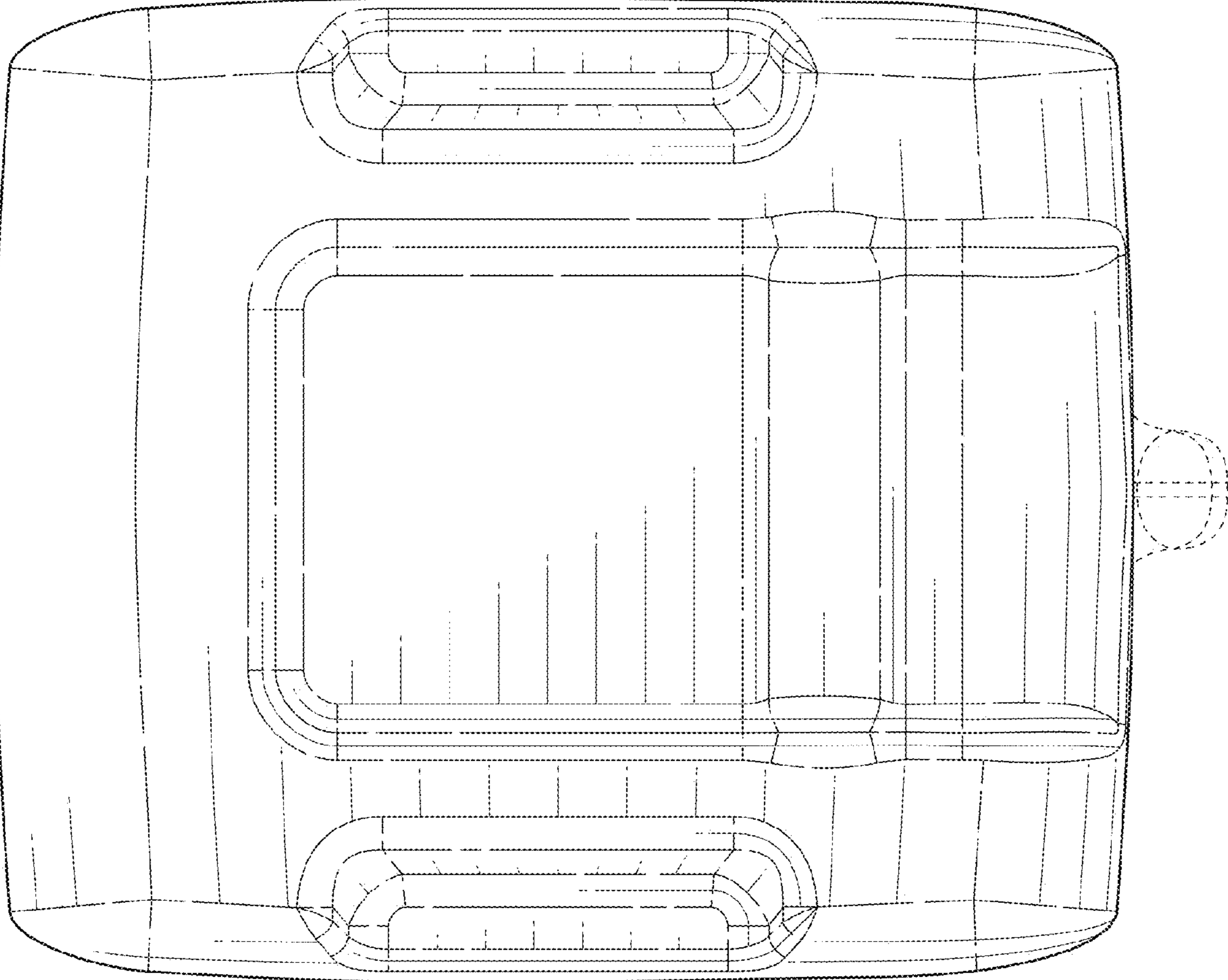


FIG. 7