



US00D888888S

(12) **United States Design Patent** (10) **Patent No.:** **US D888,888 S**  
**Widom et al.** (45) **Date of Patent:** **\*\* Jun. 30, 2020**

(54) **AQUEOUS CONTAMINANT REMOVAL DEVICE**

FOREIGN PATENT DOCUMENTS

(71) Applicant: **Pool Buddy, LLC**, Bedminster, NJ (US)

CN 302173066 S 11/2012  
CN 302183918 S 11/2012  
(Continued)

(72) Inventors: **David R. Widom**, Winchester, MA (US); **Timothy Jebara**, Far Hills, NJ (US); **Nour Jebara**, New York, NY (US)

OTHER PUBLICATIONS

(73) Assignee: **Pool Buddy, LLC**, Bedminster, NJ (US)

Amphenol.com, AT1612-PB-G7 Gasket, undated online product page, retrieved Apr. 29, 2020 from <URL:https://www.amphenol-sine.com/AT1612-PB-G7-Gasket-for-12-13-Position-PanelMate-Receptacle\_p\_6215.html> (Year: 2020).\*  
(Continued)

(\*\*) Term: **15 Years**

*Primary Examiner* — Brandon M Rosati  
*Assistant Examiner* — Calvin E Vansant

(21) Appl. No.: **29/725,329**

(74) *Attorney, Agent, or Firm* — Bochner IP; Andrew D. Bochner

(22) Filed: **Feb. 24, 2020**

(51) **LOC (12) Cl.** ..... **23-01**

(52) **U.S. Cl.**  
USPC ..... **D23/209**

(58) **Field of Classification Search**  
USPC ..... D23/209, 210, 261; D32/35, 46  
CPC ..... E02B 15/08; A01K 97/05; E04H 5/1609;  
E04H 4/1263; B01D 29/27; B01D 29/111; F16J 15/0818; F16J 15/0831;  
H01R 13/5202

See application file for complete search history.

(57) **CLAIM**

The ornamental design for an aqueous contaminant removal device, as shown and described.

(56) **References Cited**

U.S. PATENT DOCUMENTS

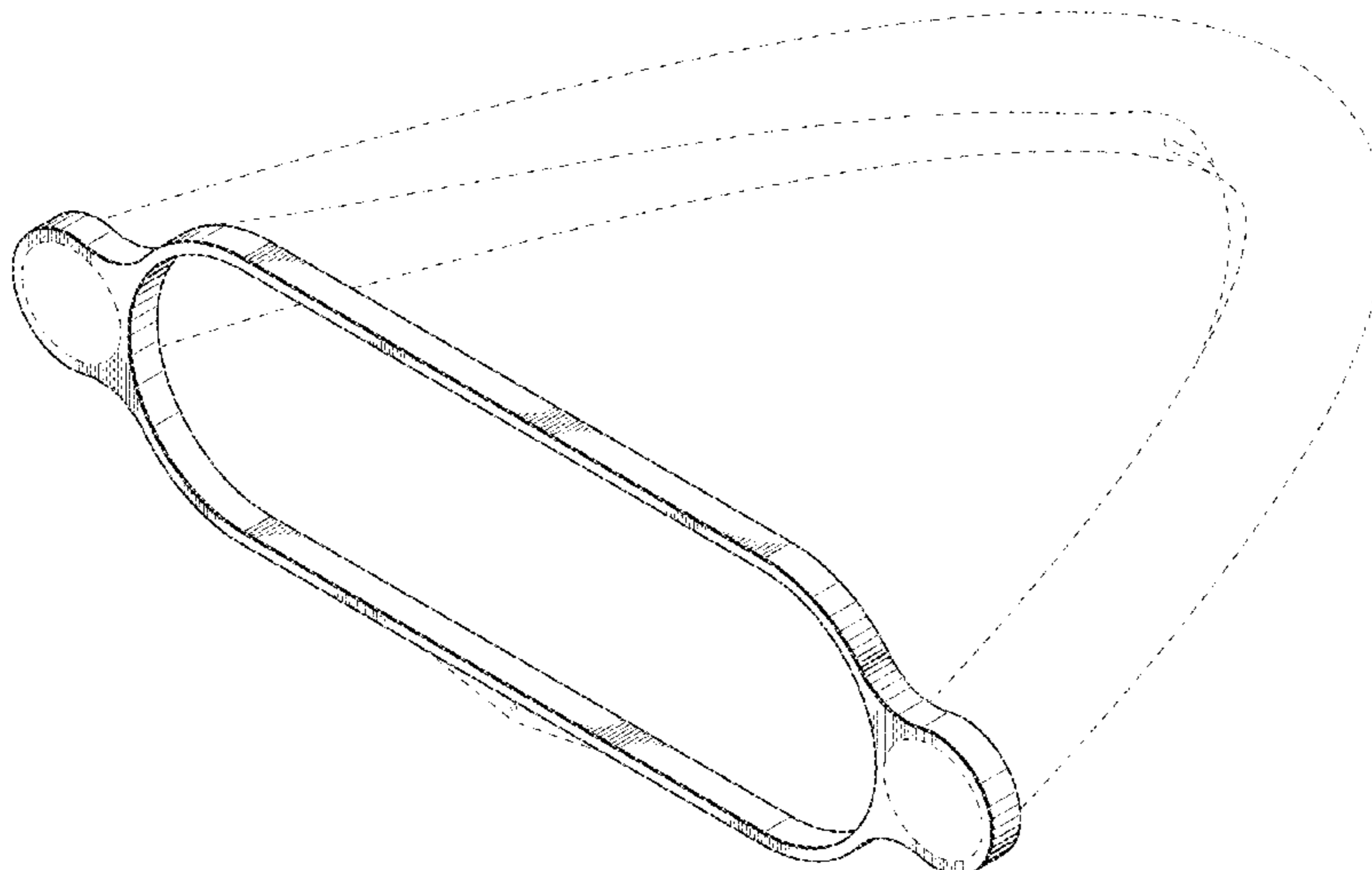
D35,064 S \* 9/1901 Pulcifer ..... D23/269  
3,053,394 A \* 9/1962 Morrison ..... B01D 29/012  
210/488  
3,220,037 A \* 11/1965 Ruhling ..... E04H 4/1609  
15/1.7  
D330,444 S 10/1992 Wall et al.  
6,383,374 B1 \* 5/2002 Splendorio ..... E04H 4/1254  
210/238  
D638,183 S 5/2011 Rossano et al.  
7,984,811 B2 \* 7/2011 Gonzalez ..... E04H 4/1609  
210/470

(Continued)

**DESCRIPTION**

FIG. 1 is a top, front, right side perspective view;  
FIG. 2 is a front elevation view thereof, shown at an enlarged scale;  
FIG. 3 is a rear elevation view thereof, shown at an enlarged scale;  
FIG. 4 is a left side elevation view thereof;  
FIG. 5 is a right side elevation view thereof;  
FIG. 6 is a top plan view thereof; and,  
FIG. 7 is a bottom plan view thereof.  
In the drawings, the broken lines are for the purpose of illustrating environment only, and form no part of the claimed design.

**1 Claim, 5 Drawing Sheets**



(56)

**References Cited**

U.S. PATENT DOCUMENTS

D663,387 S \* 7/2012 Mjelde ..... B01D 29/012  
D23/261  
9,528,288 B2 \* 12/2016 Fleury ..... E04H 4/1609  
D832,540 S \* 10/2018 Larouche ..... E04H 4/1609  
D32/35  
D868,206 S 11/2019 Carrière et al.  
D871,561 S \* 12/2019 Kang ..... E04H 4/1609  
D23/269  
2015/0325947 A1 \* 11/2015 Wang ..... H01R 13/5219  
277/616

FOREIGN PATENT DOCUMENTS

EM 002055393-0001 6/2012  
EM 3331529-0009 8/2016

OTHER PUBLICATIONS

Ocean Blue Water Products, "Alluminium Deep Bag Leaf Rake",  
retrieved on Feb. 18, 2020, p. 1, available at: [http://oceanbluewaterproducts.com/Pages/rake\\_125010.html](http://oceanbluewaterproducts.com/Pages/rake_125010.html).

Ocean Blue Water Products, "Alluminium Deep Bag Leaf Rake",  
retrieved on Feb. 18, 2020, p. 1, available at: [http://oceanbluewaterproducts.com/Pages/rake\\_125005.html](http://oceanbluewaterproducts.com/Pages/rake_125005.html).

backyardcitypools.com, "Jet Net Remote Controlled Pool Skimmer",  
retrieved on Feb. 18, 2020, p. 4, available at: <http://www.backyardcitypools.com/maintenance/Jet-Net.htm>.

\* cited by examiner

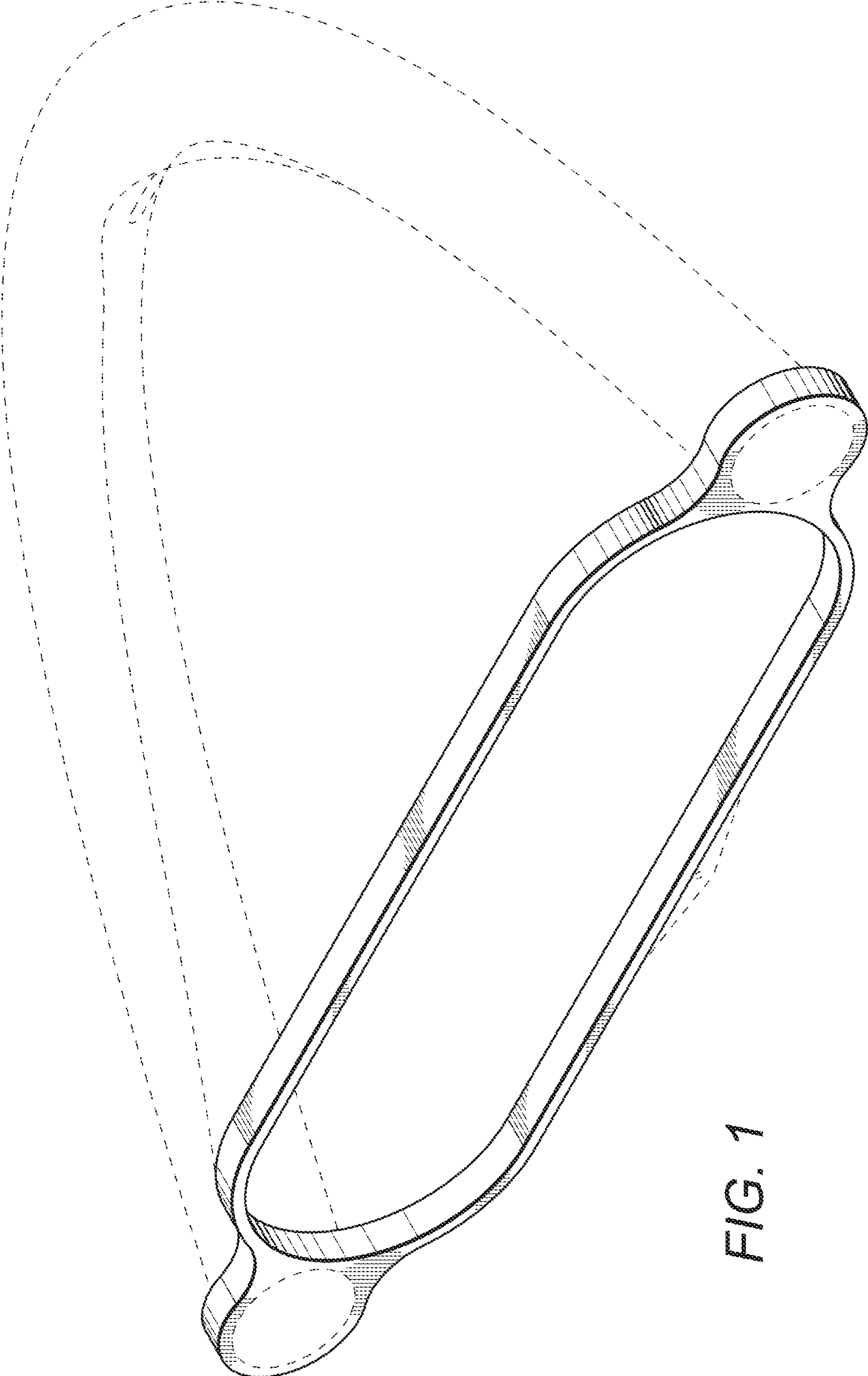


FIG. 1

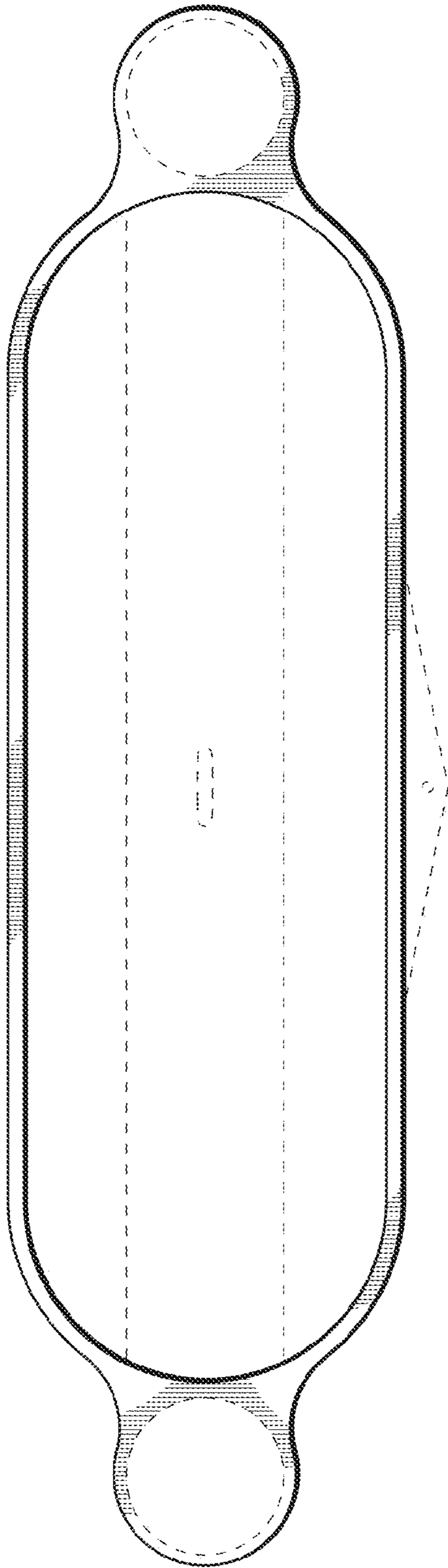


FIG. 2

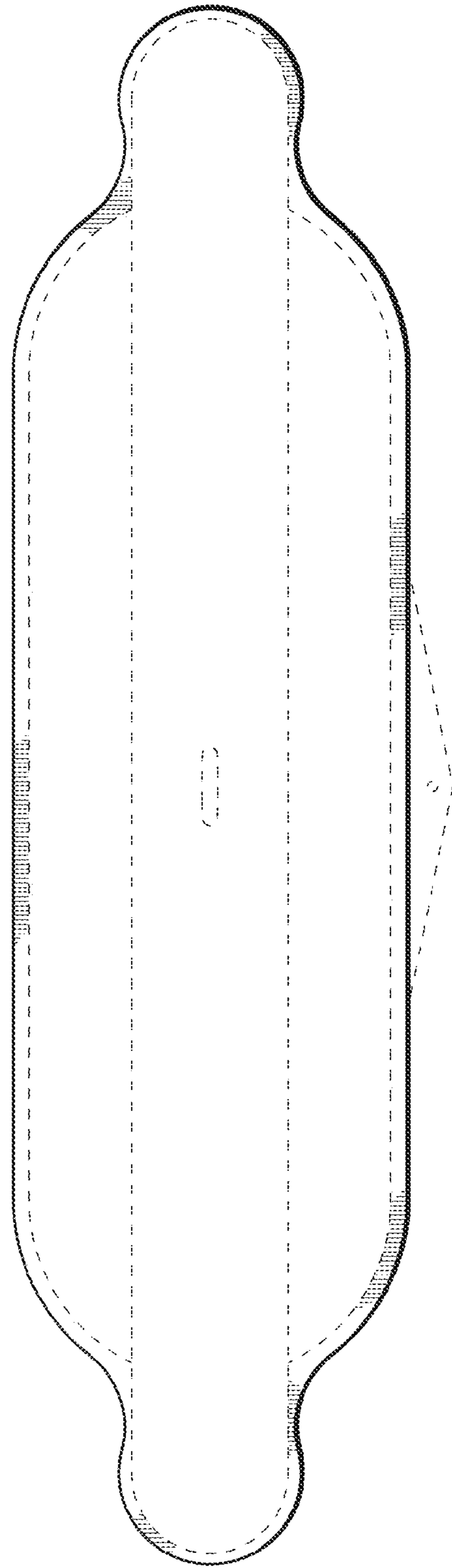


FIG. 3

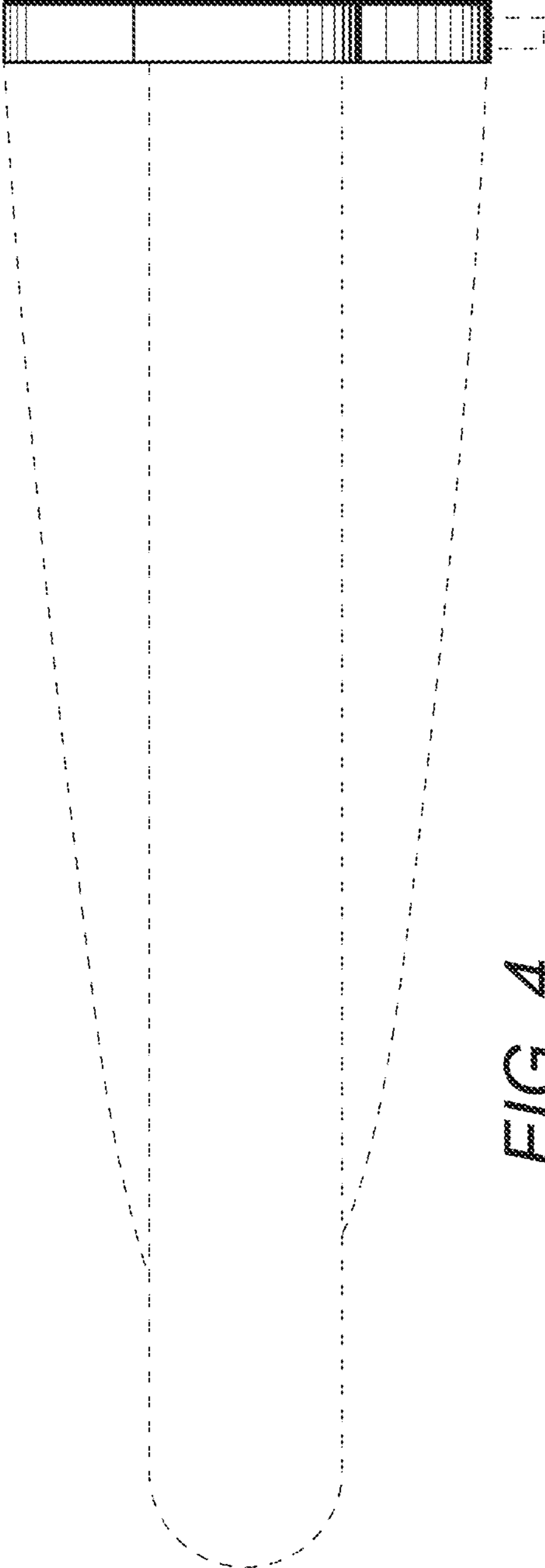


FIG. 4

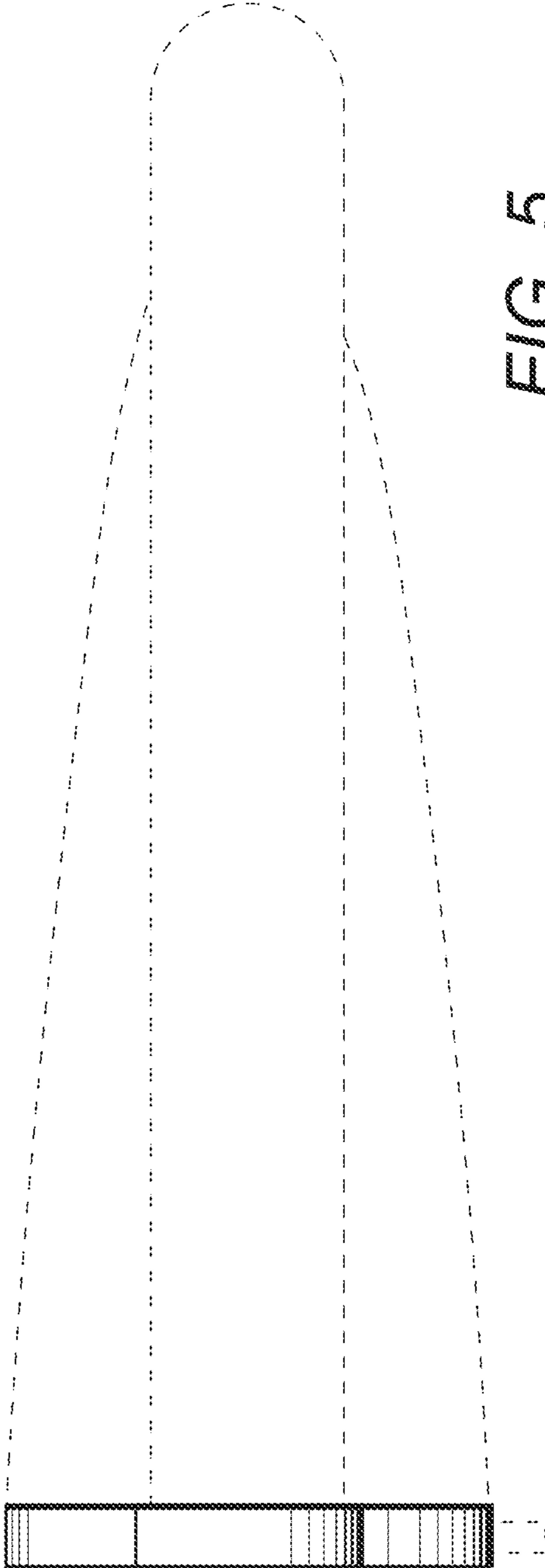


FIG. 5

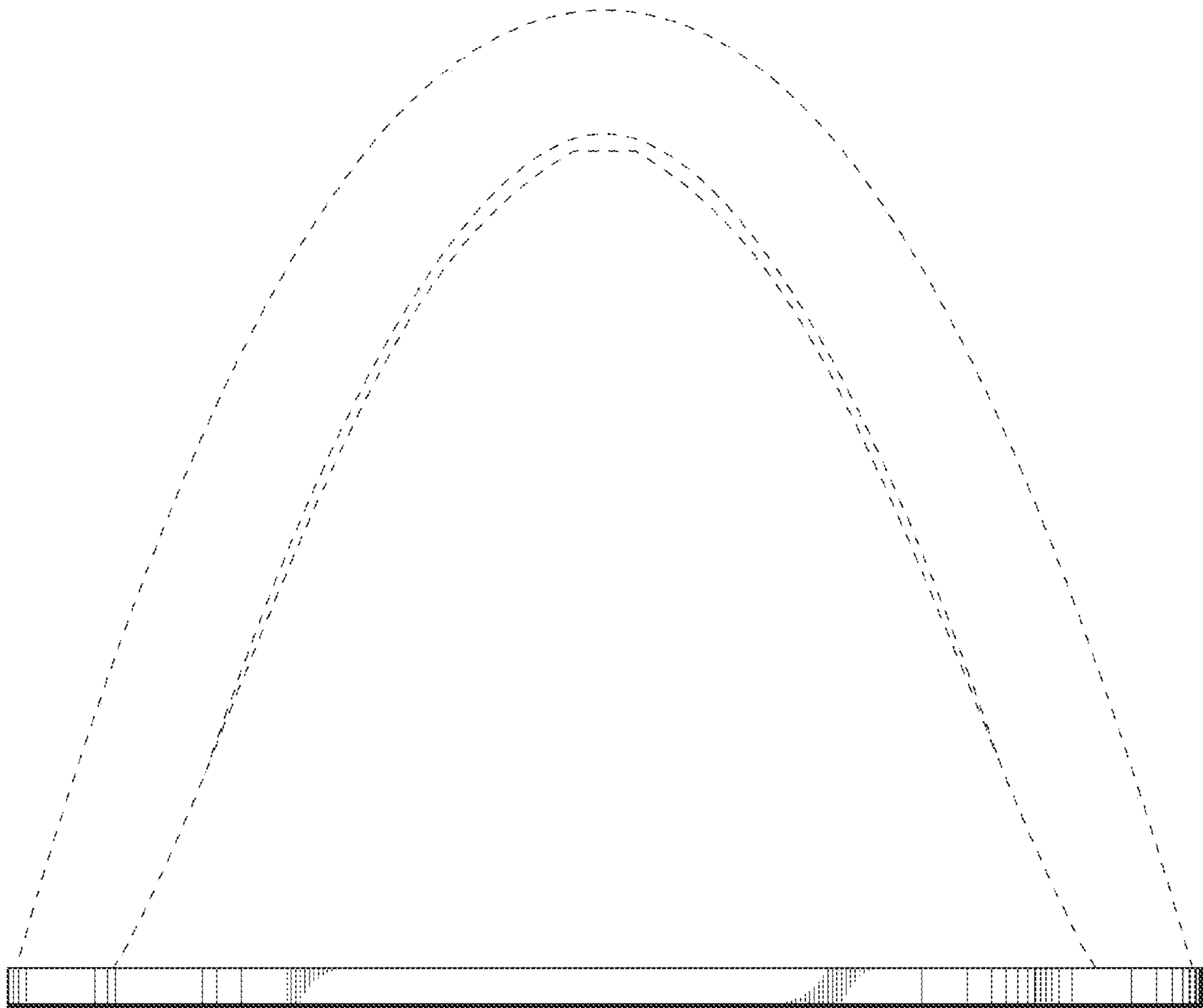
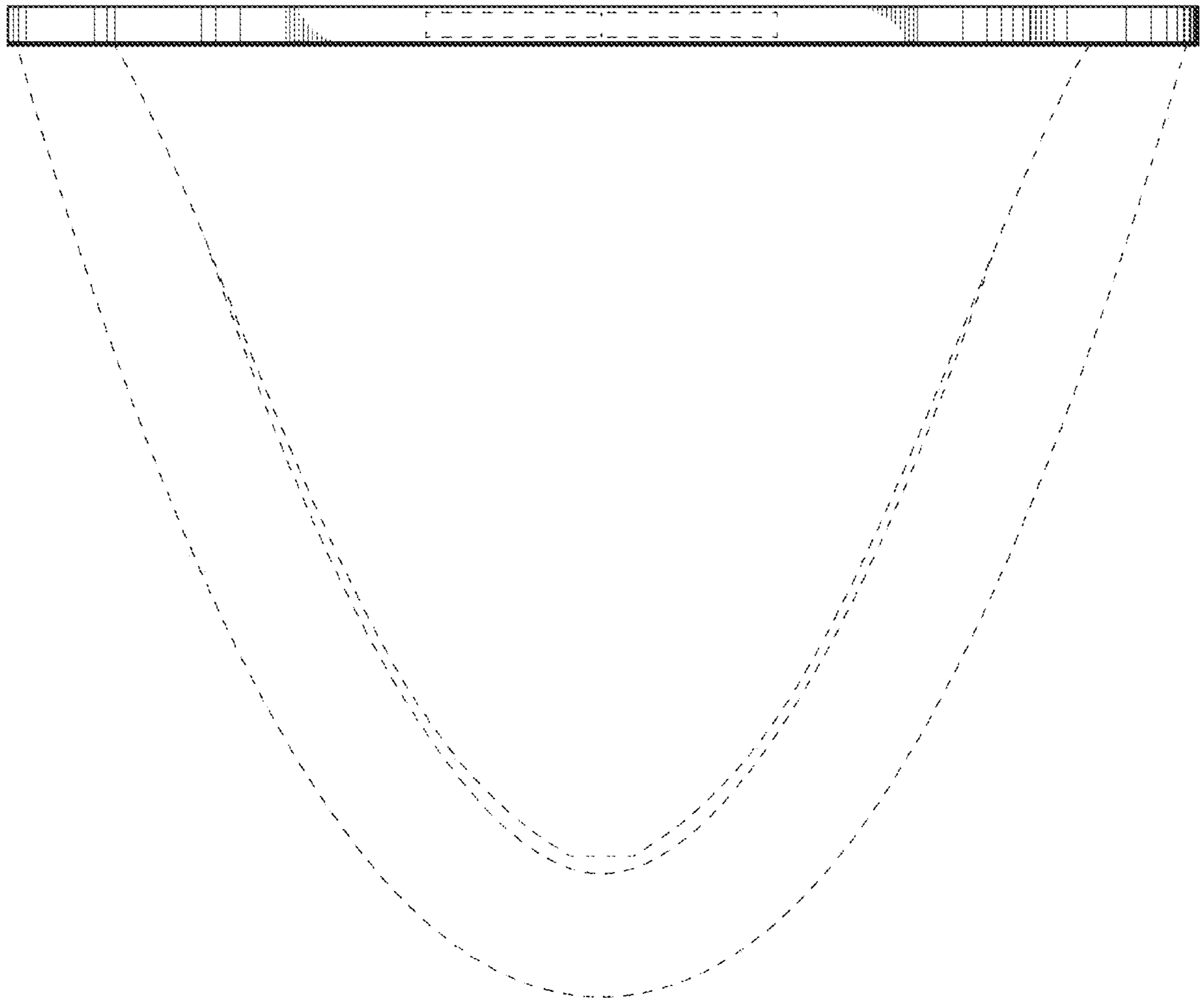


FIG. 6



*FIG. 7*